



US00D635285S

(12) **United States Design Patent**
Chang et al.

(10) **Patent No.:** **US D635,285 S**
(45) **Date of Patent:** **** Mar. 29, 2011**

(54) **REAR COMBINATION LAMP FOR AUTOMOBILES**

(75) Inventors: **Hyung Uk Chang**, Gyeonggi-Do (KR);
Jae Kun Lee, Gyeonggi-Do (KR); **Se Jin Oh**, Gyeonggi-Do (KR)

(73) Assignee: **Kia Motors Corporation**, Seoul (KR)

(**) Term: **14 Years**

(21) Appl. No.: **29/368,569**

(22) Filed: **Aug. 25, 2010**

(30) **Foreign Application Priority Data**

Feb. 26, 2010 (KR) 30-2010-0008646

(51) **LOC (9) Cl.** **26-06**

(52) **U.S. Cl.** **D26/28**

(58) **Field of Classification Search** D26/28-36;
362/459-468, 475-478, 485-487

See application file for complete search history.

(56) **References Cited**

U.S. PATENT DOCUMENTS

D526,427 S *	8/2006	Morioka	D26/28
D528,232 S *	9/2006	Nakahara	D26/28
D528,680 S *	9/2006	Oda	D26/28
D528,684 S *	9/2006	Kato et al.	D26/28

D542,445 S *	5/2007	Matsunami	D26/28
D548,377 S *	8/2007	Markefka	D26/28
D550,380 S *	9/2007	Lin	D26/28
D560,292 S *	1/2008	Sato	D26/28
D562,477 S *	2/2008	Hsu	D26/28
D570,015 S *	5/2008	Hsu	D26/28

* cited by examiner

Primary Examiner — Marcus A Jackson

(74) *Attorney, Agent, or Firm* — Edwards Angell Palmer & Dodge LLP; Peter F. Corless

(57) **CLAIM**

The ornamental design for a rear combination lamp for automobiles, as shown and described.

DESCRIPTION

FIG. 1 is a front view of a rear combination lamp for automobiles according to the present invention.

FIG. 2 is a rear view of the rear combination lamp for automobiles of FIG. 1.

FIG. 3 is a top view of the rear combination lamp for automobiles of FIG. 2.

FIG. 4 is a right side view of the rear combination lamp for automobiles of FIG. 3.

FIG. 5 is a left side view of the rear combination lamp for automobiles of FIG. 4; and,

FIG. 6 is a perspective view of the rear combination lamp for automobiles of FIG. 5.

1 Claim, 6 Drawing Sheets

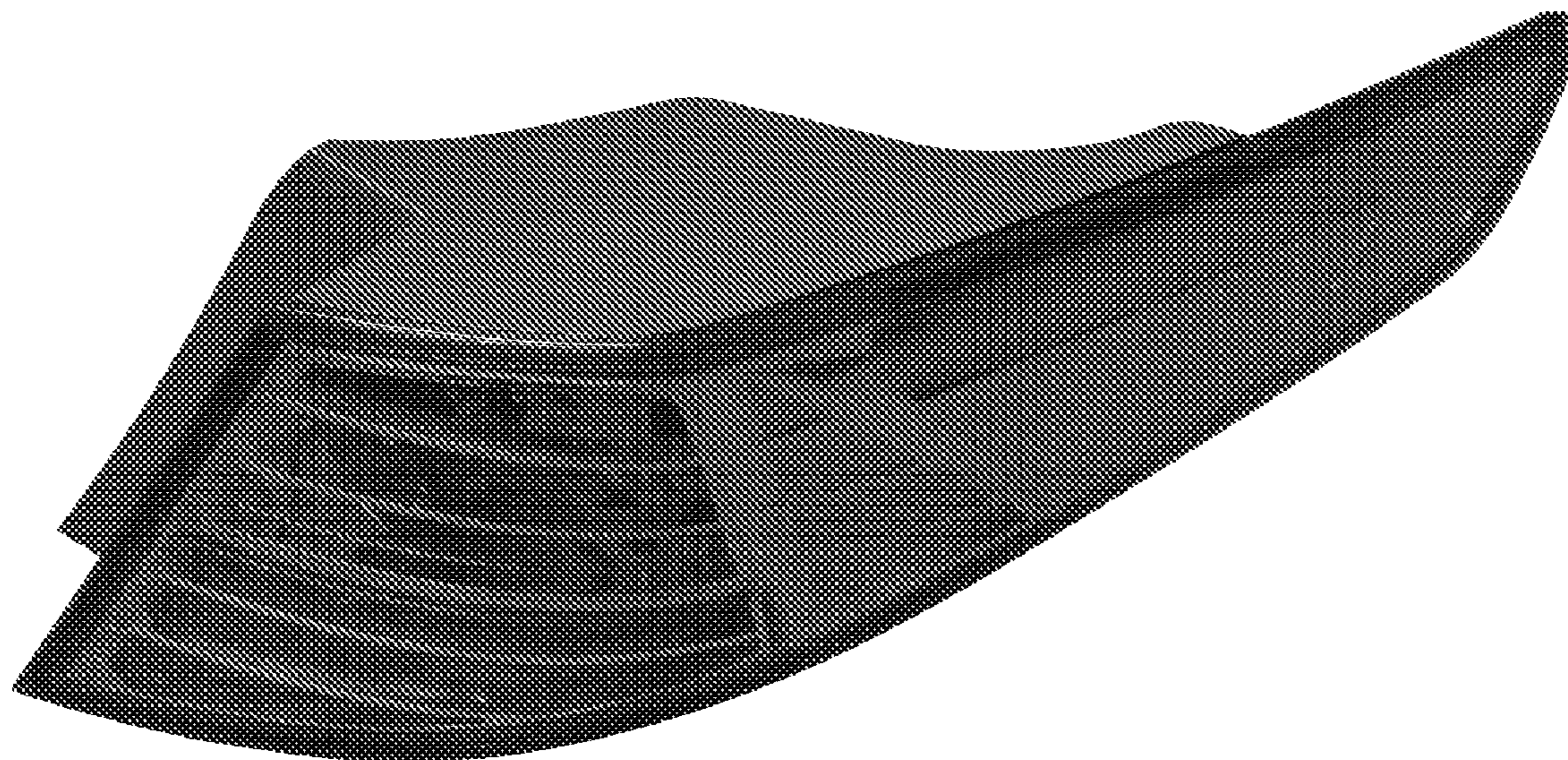


FIG.1

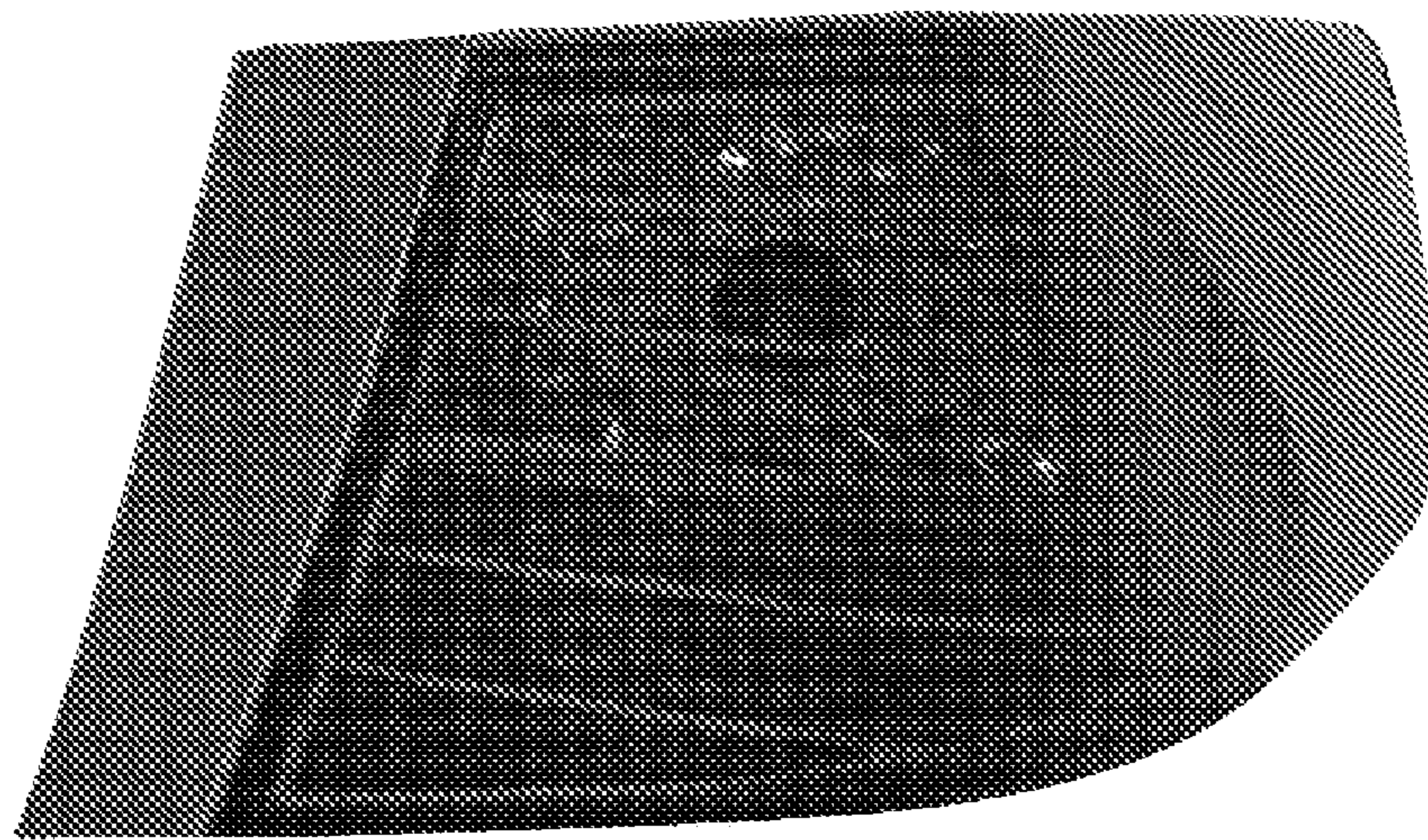


FIG.2

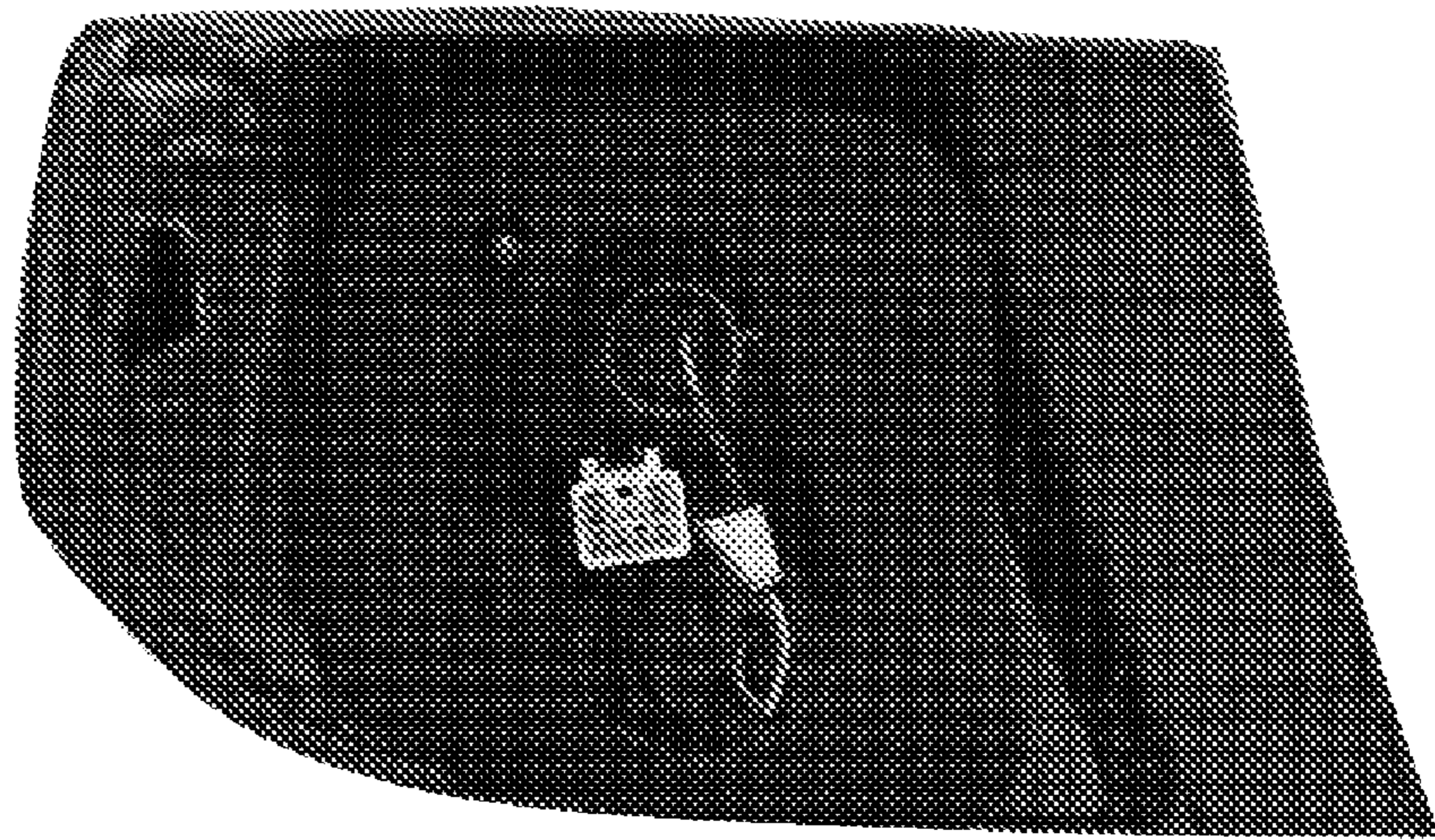


FIG.3

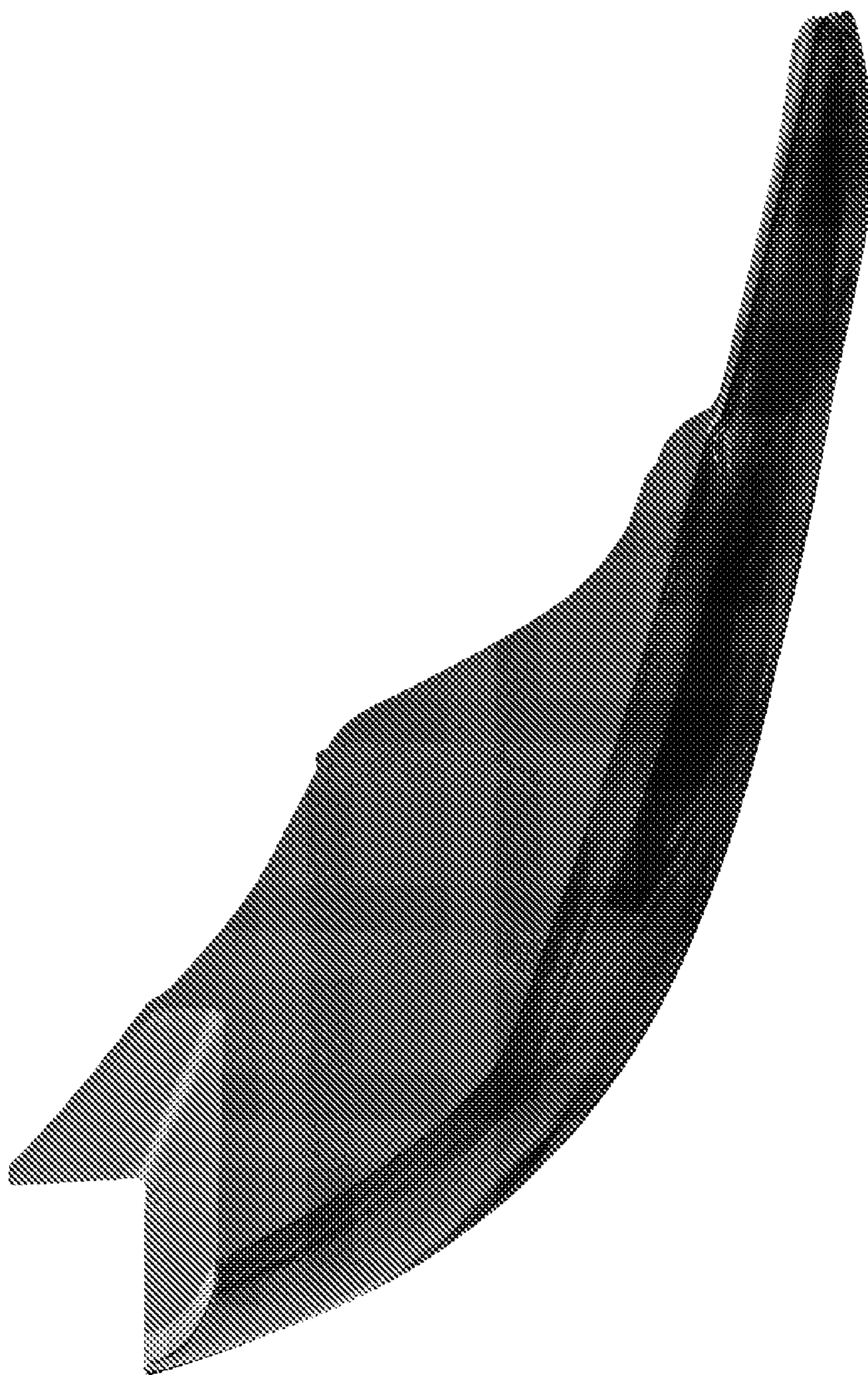


FIG.4

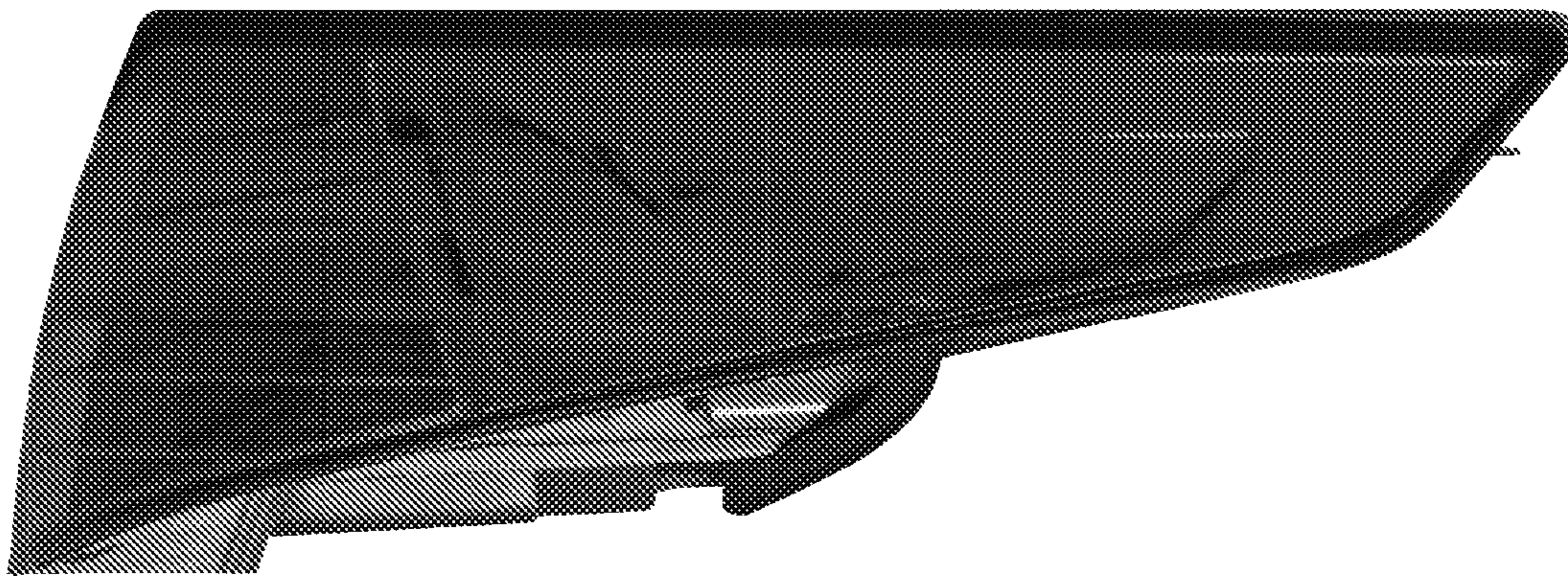


FIG.5

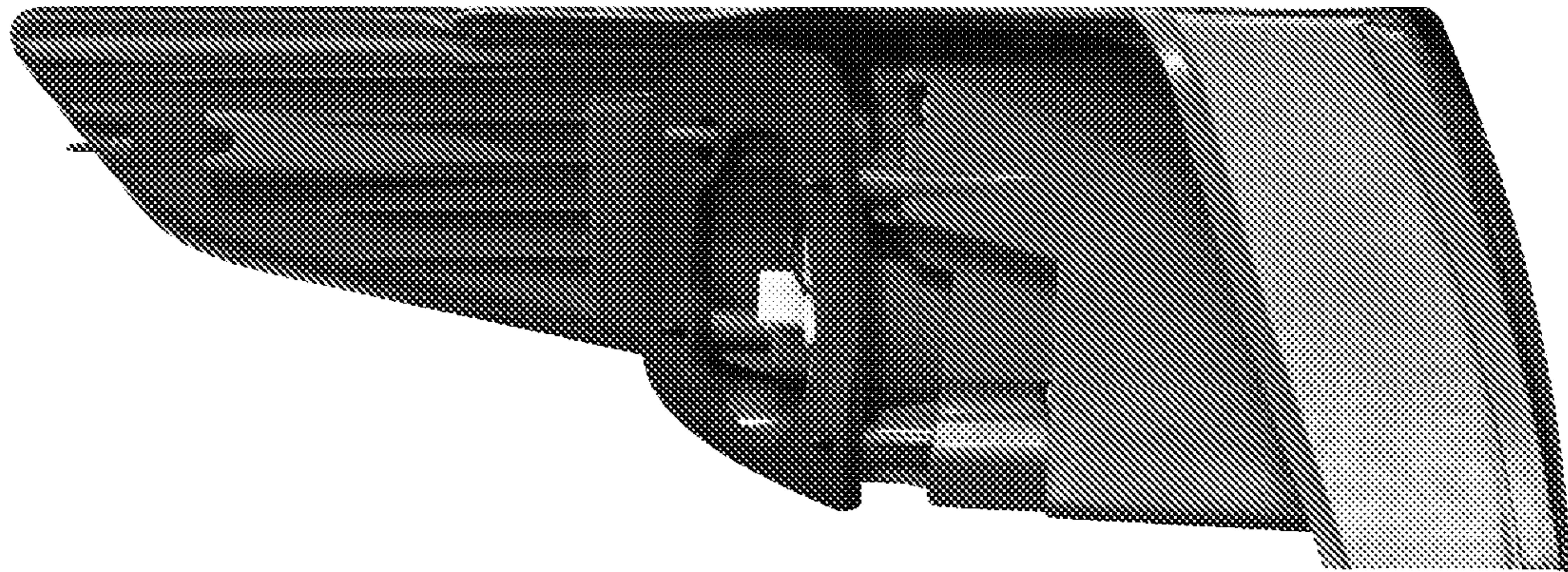


FIG.6

