



US00D635284S

(12) **United States Design Patent**  
**Chang et al.**

(10) **Patent No.:** **US D635,284 S**  
(45) **Date of Patent:** **\*\* Mar. 29, 2011**

(54) **REAR COMBINATION LAMP FOR AUTOMOBILES**

(75) Inventors: **Hyung Uk Chang**, Gyeonggi-Do (KR); **Jae Kun Lee**, Gyeonggi-Do (KR); **Se Jin Oh**, Gyeonggi-Do (KR)

(73) Assignee: **Kia Motors Corporation**, Seoul (KR)

(\*\*) Term: **14 Years**

(21) Appl. No.: **29/368,560**

(22) Filed: **Aug. 25, 2010**

(30) **Foreign Application Priority Data**

Feb. 26, 2010 (KR) ..... 30-2010-0008614

(51) **LOC (9) Cl.** ..... **26-06**

(52) **U.S. Cl.** ..... **D26/28**

(58) **Field of Classification Search** ..... D26/28-36;  
362/459-468, 475-478, 485-487  
See application file for complete search history.

(56) **References Cited**

**U.S. PATENT DOCUMENTS**

D526,427 S *	8/2006	Morioka	.....	D26/28
D528,232 S *	9/2006	Nakahara	.....	D26/28
D528,680 S *	9/2006	Oda	.....	D26/28
D528,684 S *	9/2006	Kato et al.	.....	D26/28
D542,445 S *	5/2007	Matsunami	.....	D26/28

D548,377 S *	8/2007	Markefka	.....	D26/28
D550,380 S *	9/2007	Lin	.....	D26/28
D560,292 S *	1/2008	Sato	.....	D26/28
D562,477 S *	2/2008	Hsu	.....	D26/28
D570,015 S *	5/2008	Hsu	.....	D26/28

\* cited by examiner

*Primary Examiner* — Marcus A Jackson

(74) *Attorney, Agent, or Firm* — Edwards Angell Palmer & Dodge LLP; Peter F. Corless

(57) **CLAIM**

The ornamental design for a rear combination lamp for automobiles, as shown and described.

**DESCRIPTION**

FIG. 1 is a front view of a rear combination lamp for automobiles according to the present invention.

FIG. 2 is a rear view of the rear combination lamp for automobiles of FIG. 1.

FIG. 3 is a top view of the rear combination lamp for automobiles of FIG. 2.

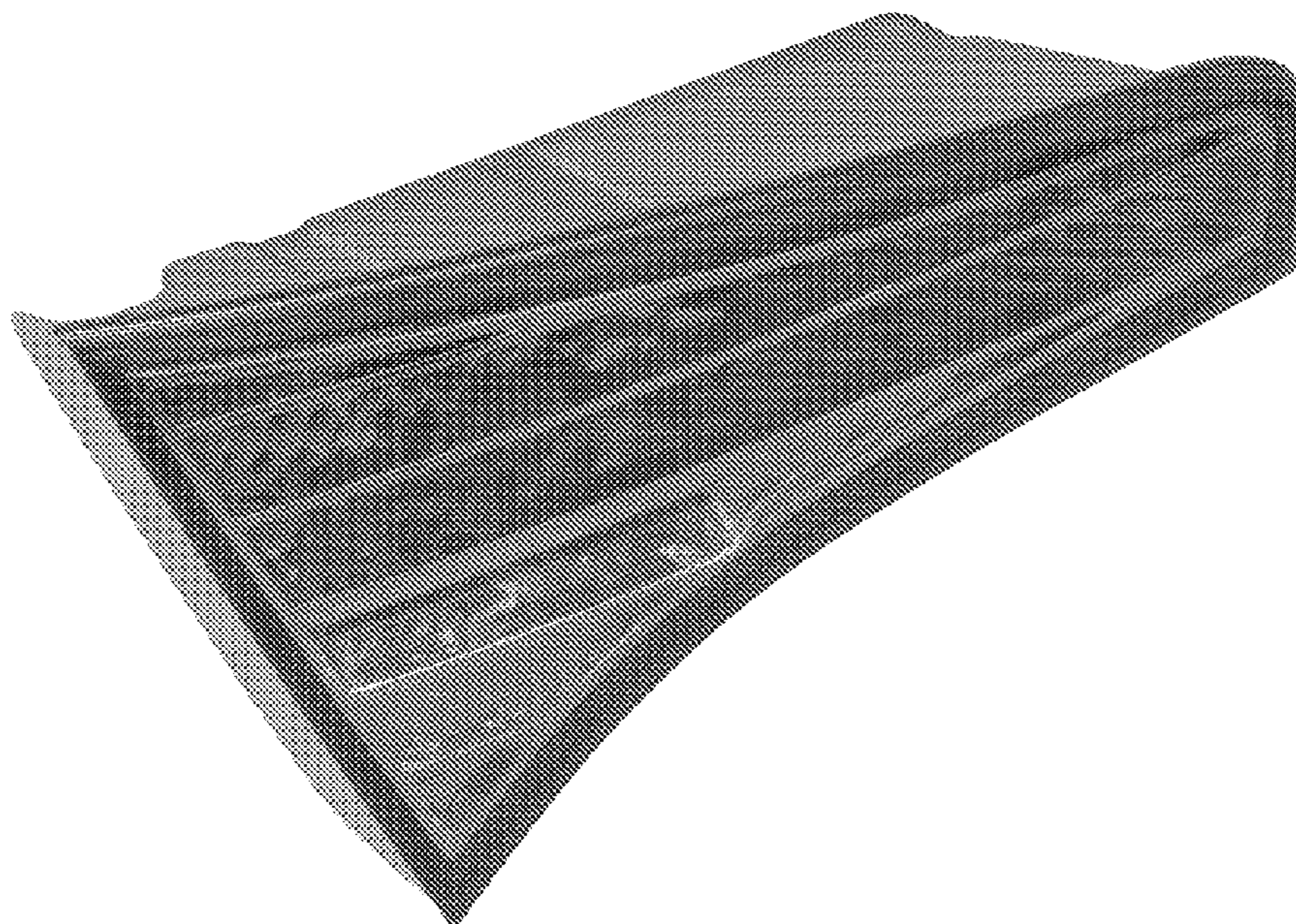
FIG. 4 is a bottom view of the rear combination lamp for automobiles of FIG. 3.

FIG. 5 is a right side view of the rear combination lamp for automobiles of FIG. 4.

FIG. 6 is a left side view of the rear combination lamp for automobiles of FIG. 5; and,

FIG. 7 is a perspective view of the rear combination lamp for automobiles of FIG. 6.

**1 Claim, 7 Drawing Sheets**





**FIG. 1**

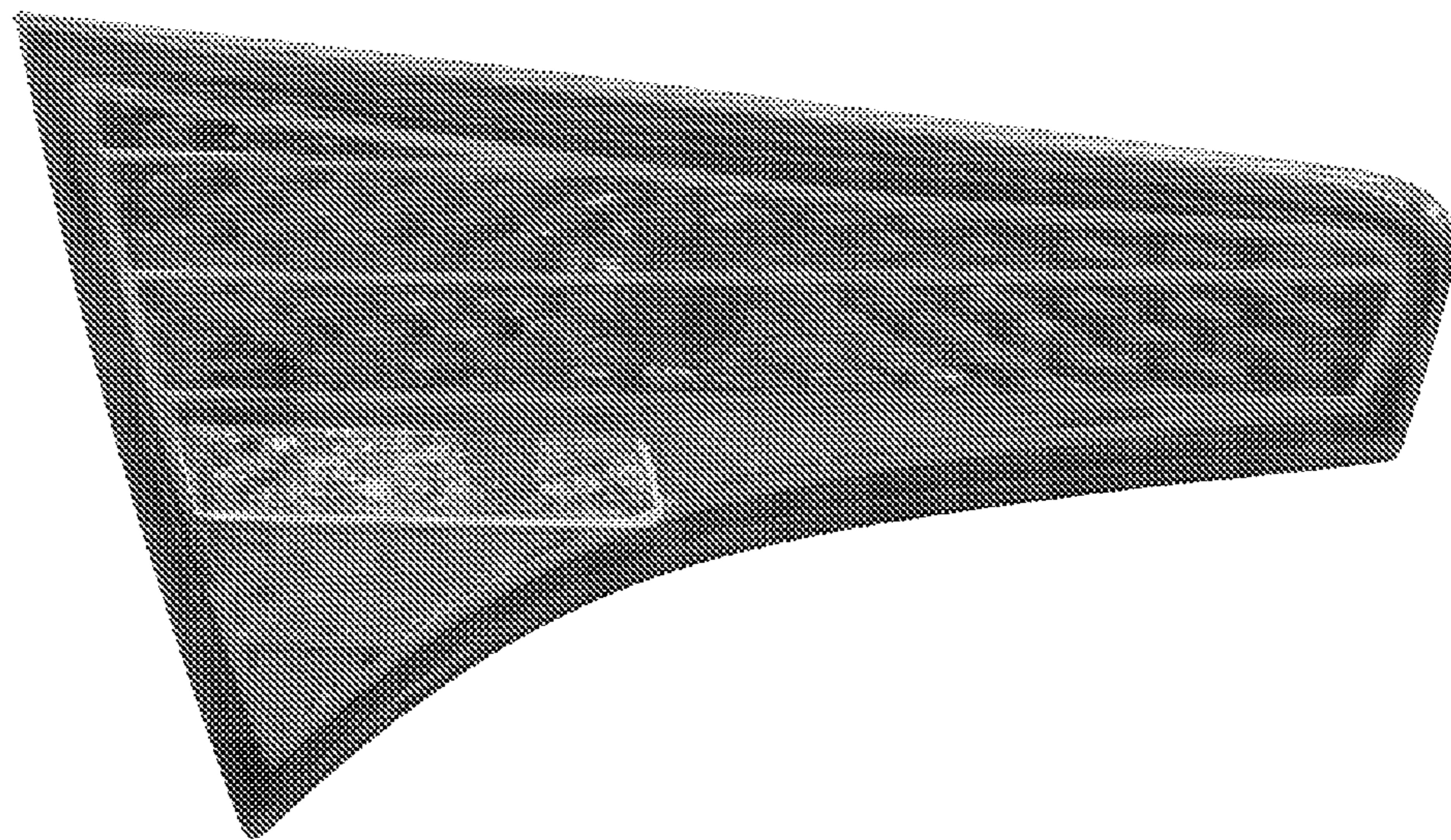
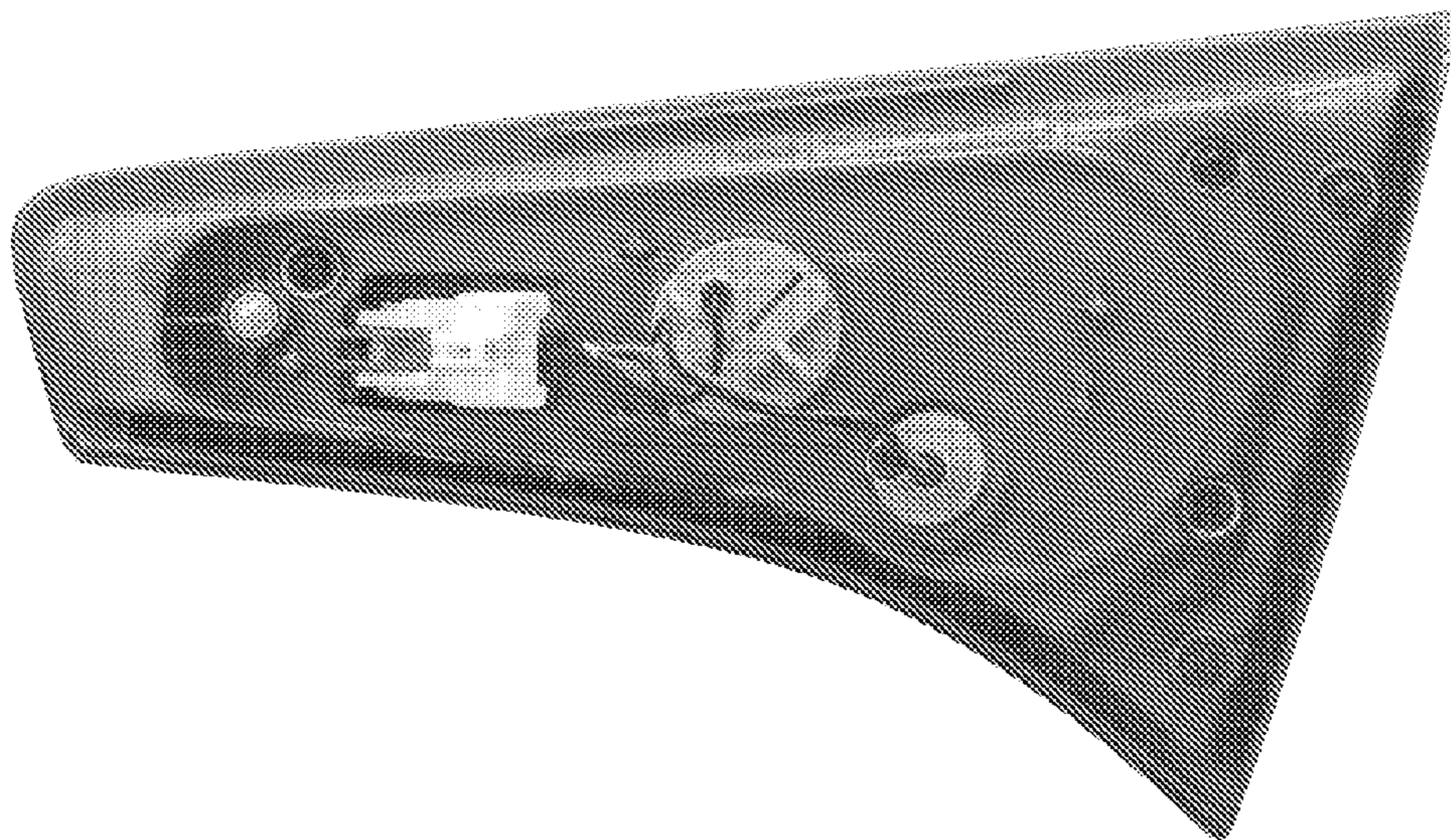
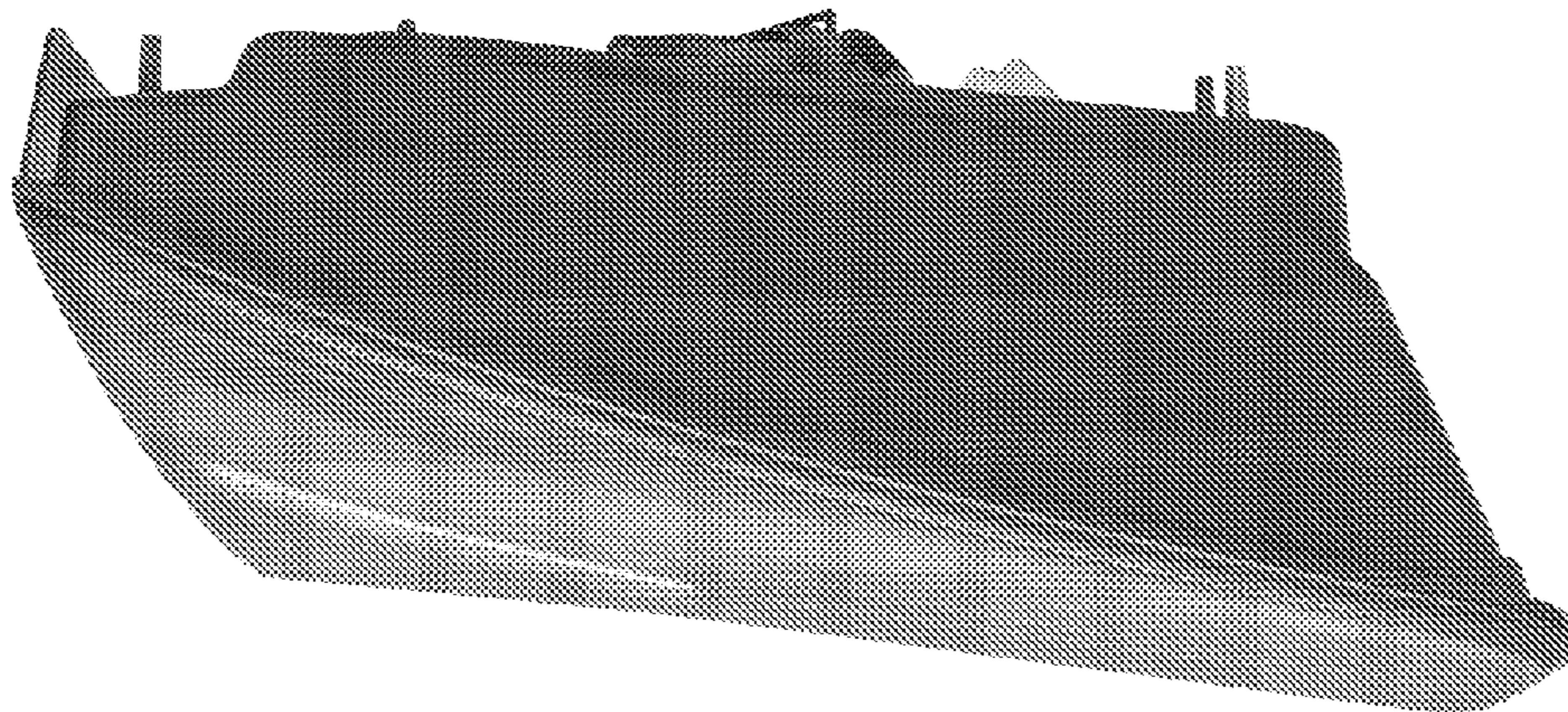


FIG. 2

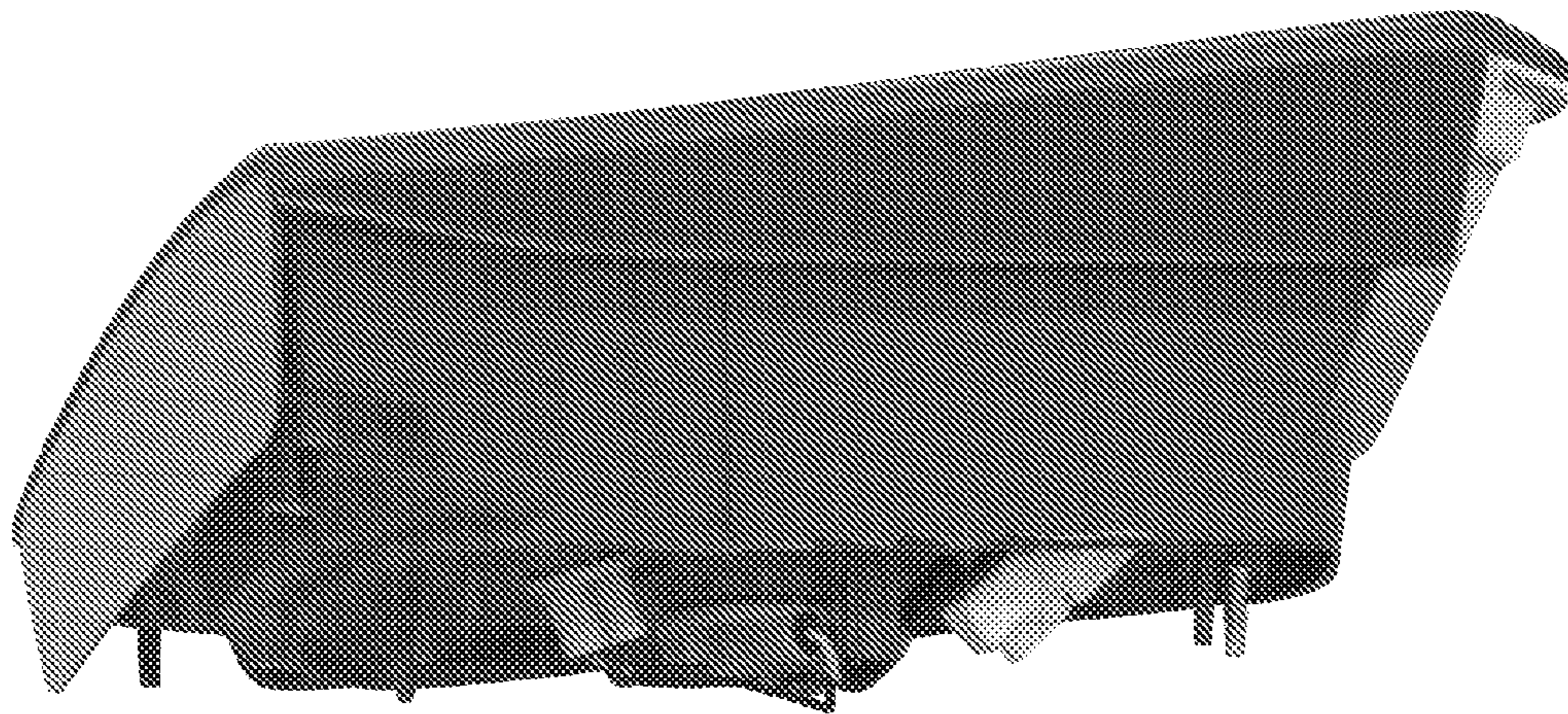




**FIG. 3**

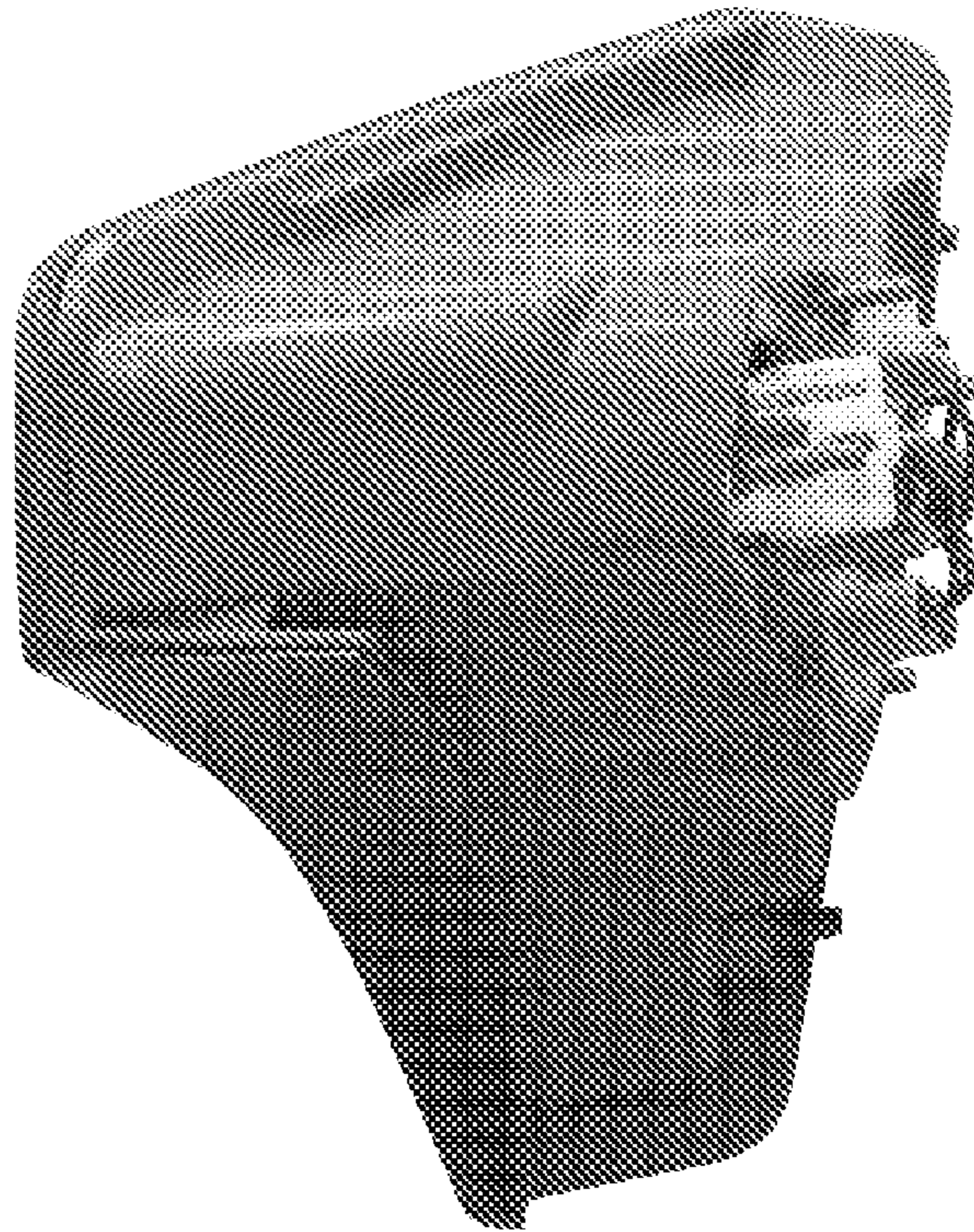


**FIG. 4**

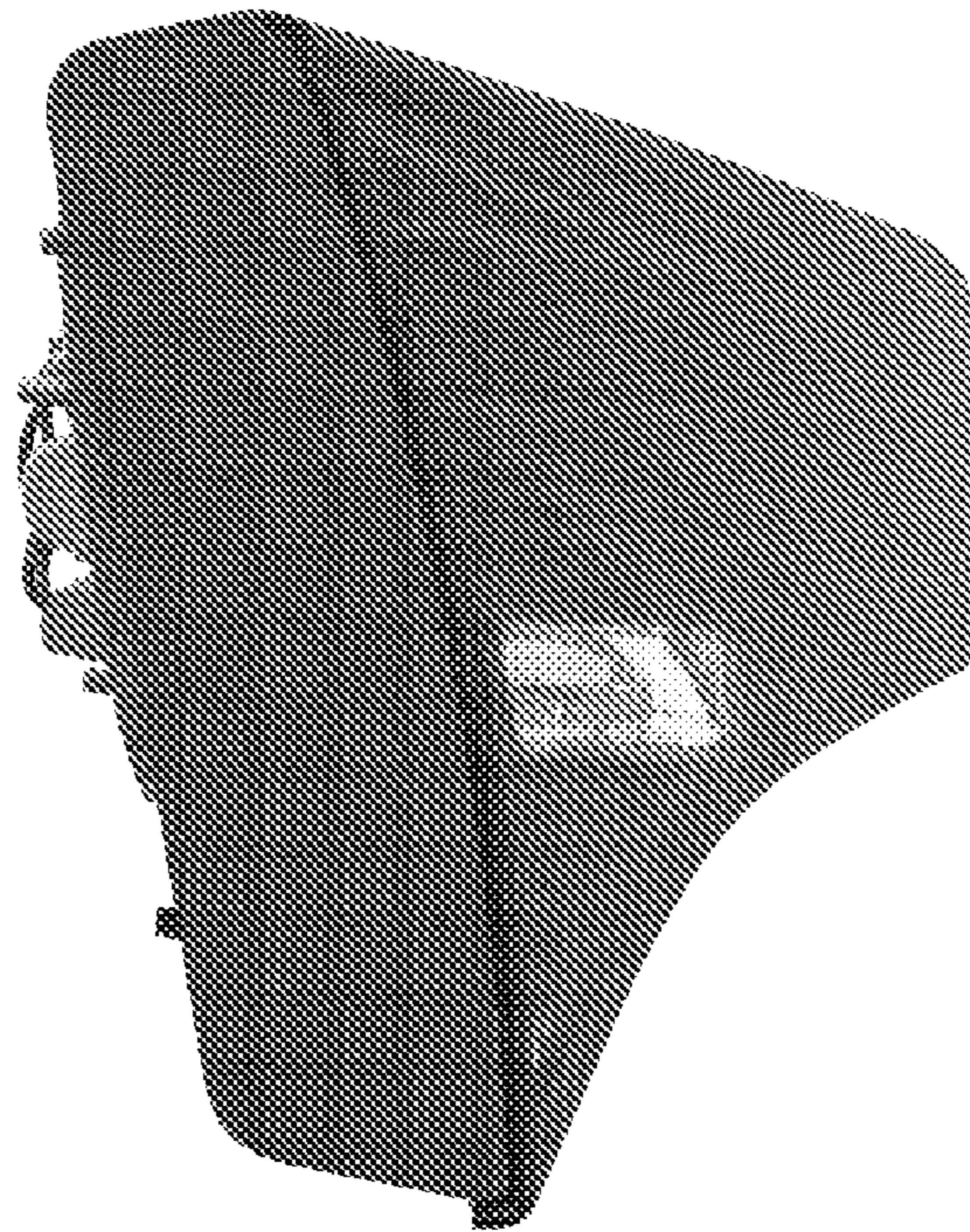




**FIG. 5**



**FIG. 6**



**FIG. 7**

