



US00D635283S

(12) **United States Design Patent**
Kim et al.

(10) **Patent No.:** **US D635,283 S**
(45) **Date of Patent:** **** Mar. 29, 2011**

(54) **REAR COMBINATION LAMP FOR AUTOMOBILES**

(75) Inventors: **Chi-young Kim**, Gyeonggi-Do (KR);
Ji-won Ha, Gyeonggi-Do (KR)

(73) Assignee: **Kia Motors Corporation**, Seoul (KR)

(**) Term: **14 Years**

(21) Appl. No.: **29/362,677**

(22) Filed: **May 28, 2010**

(30) **Foreign Application Priority Data**

Dec. 8, 2009 (KR) 30-2009-0053976

(51) **LOC (9) Cl.** **26-06**

(52) **U.S. Cl.** **D26/28**

(58) **Field of Classification Search** D26/28-36;
362/459-468, 475-478, 485-487

See application file for complete search history.

(56) **References Cited**

U.S. PATENT DOCUMENTS

D542,445 S *	5/2007	Matsunami	D26/28
D550,380 S *	9/2007	Lin	D26/28
D560,292 S *	1/2008	Sato	D26/28
D562,477 S *	2/2008	Hsu	D26/28

D570,015 S * 5/2008 Hsu D26/28
* cited by examiner

Primary Examiner — Marcus A Jackson
(74) *Attorney, Agent, or Firm* — Edwards Angell Palmer & Dodge LLP; Peter F. Corless; Kongsik Kim

(57) **CLAIM**
The ornamental design for a rear combination lamp for automobiles, as shown and described.

DESCRIPTION

FIG. 1 is a perspective view of a rear combination lamp for automobiles according to the present invention.
FIG. 2 is a front view of the rear combination lamp for automobiles of FIG. 1.
FIG. 3 is a rear view of the rear combination lamp for automobiles of FIG. 1.
FIG. 4 is a left side view of the rear combination lamp for automobiles of FIG. 1.
FIG. 5 is a right side view of the rear combination lamp for automobiles of FIG. 1.
FIG. 6 is a top view of the rear combination lamp for automobiles of FIG. 1; and,
FIG. 7 is a bottom view of the rear combination lamp for automobiles of FIG. 1.

1 Claim, 7 Drawing Sheets

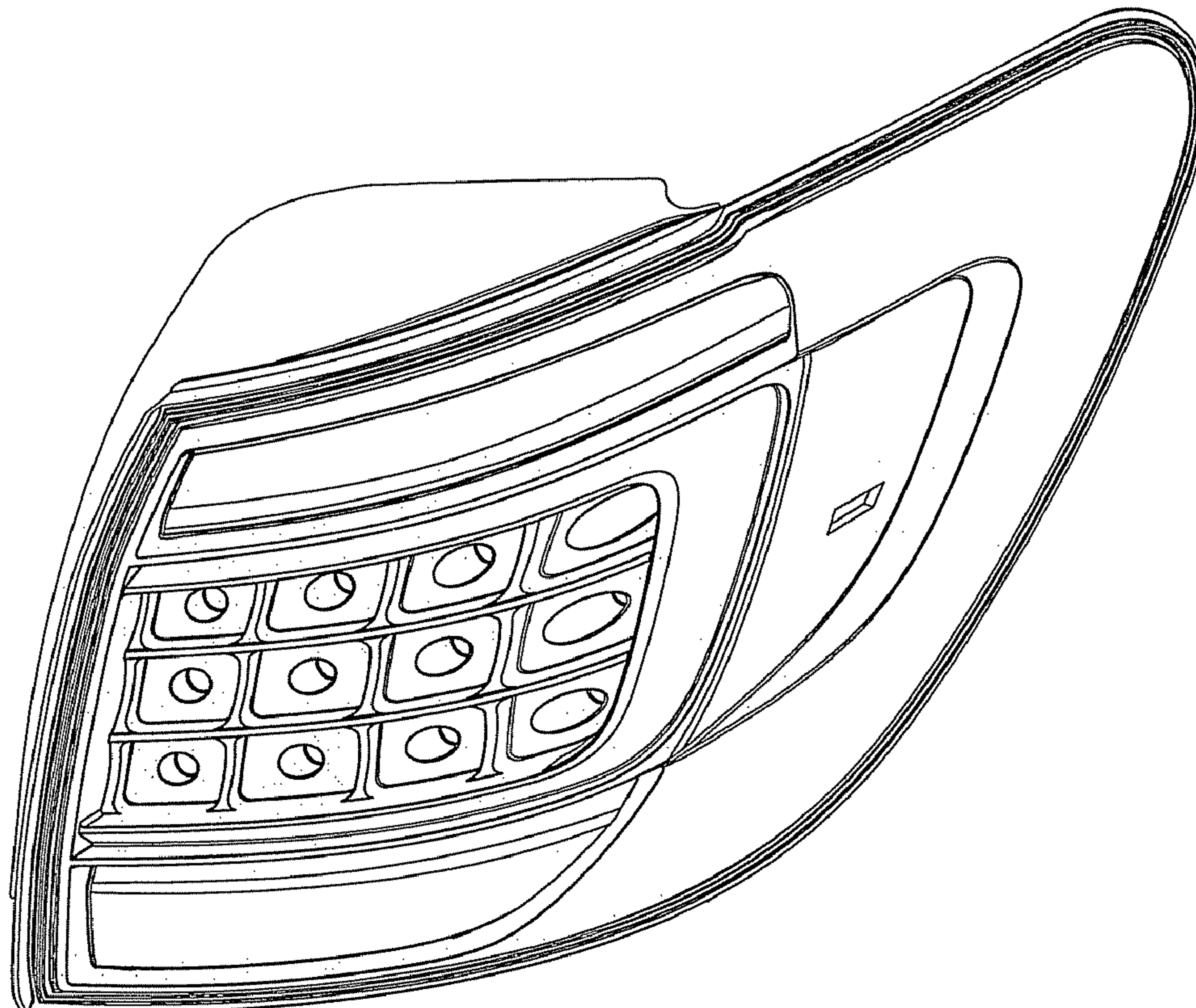


FIG. 1

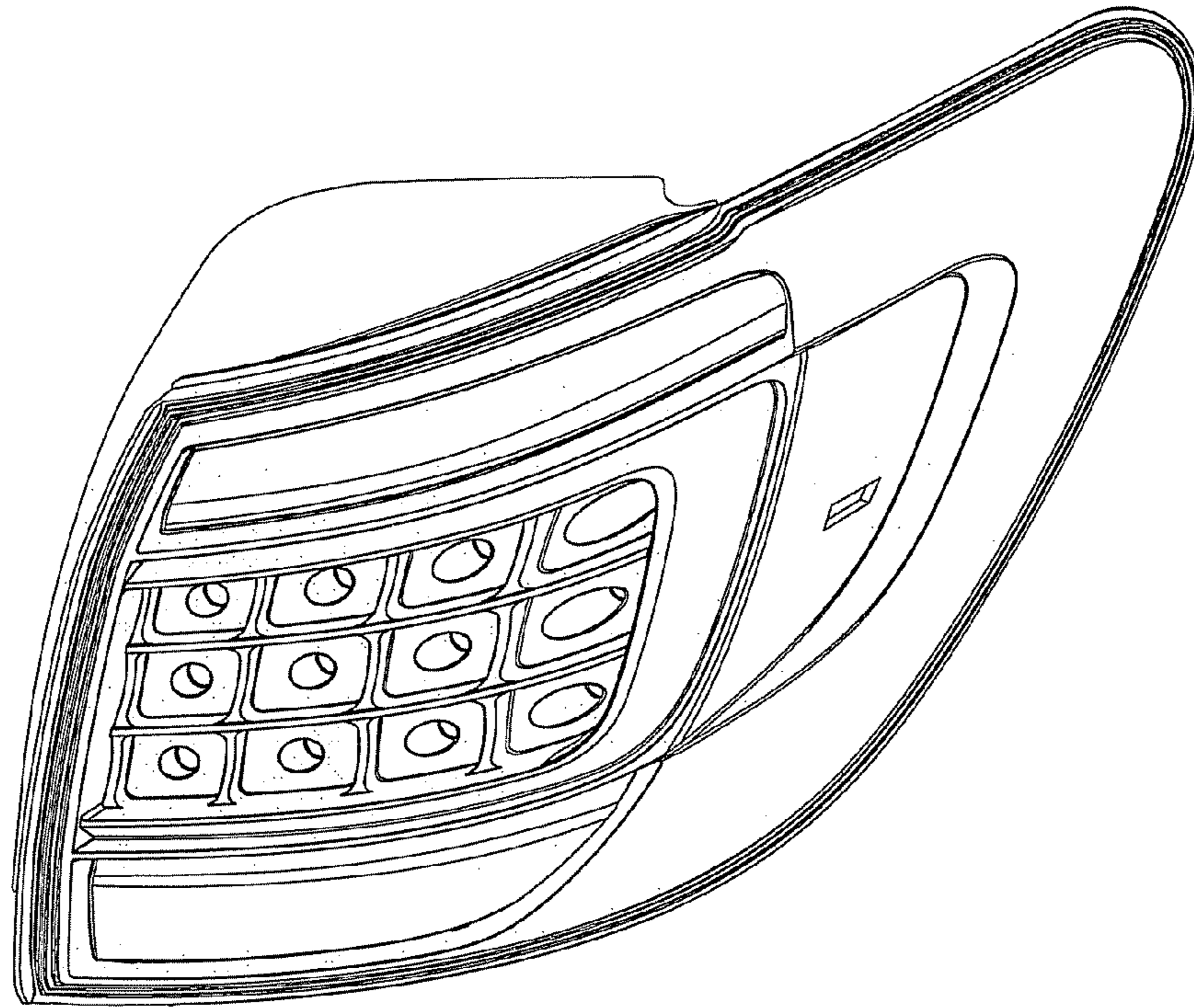


FIG. 2

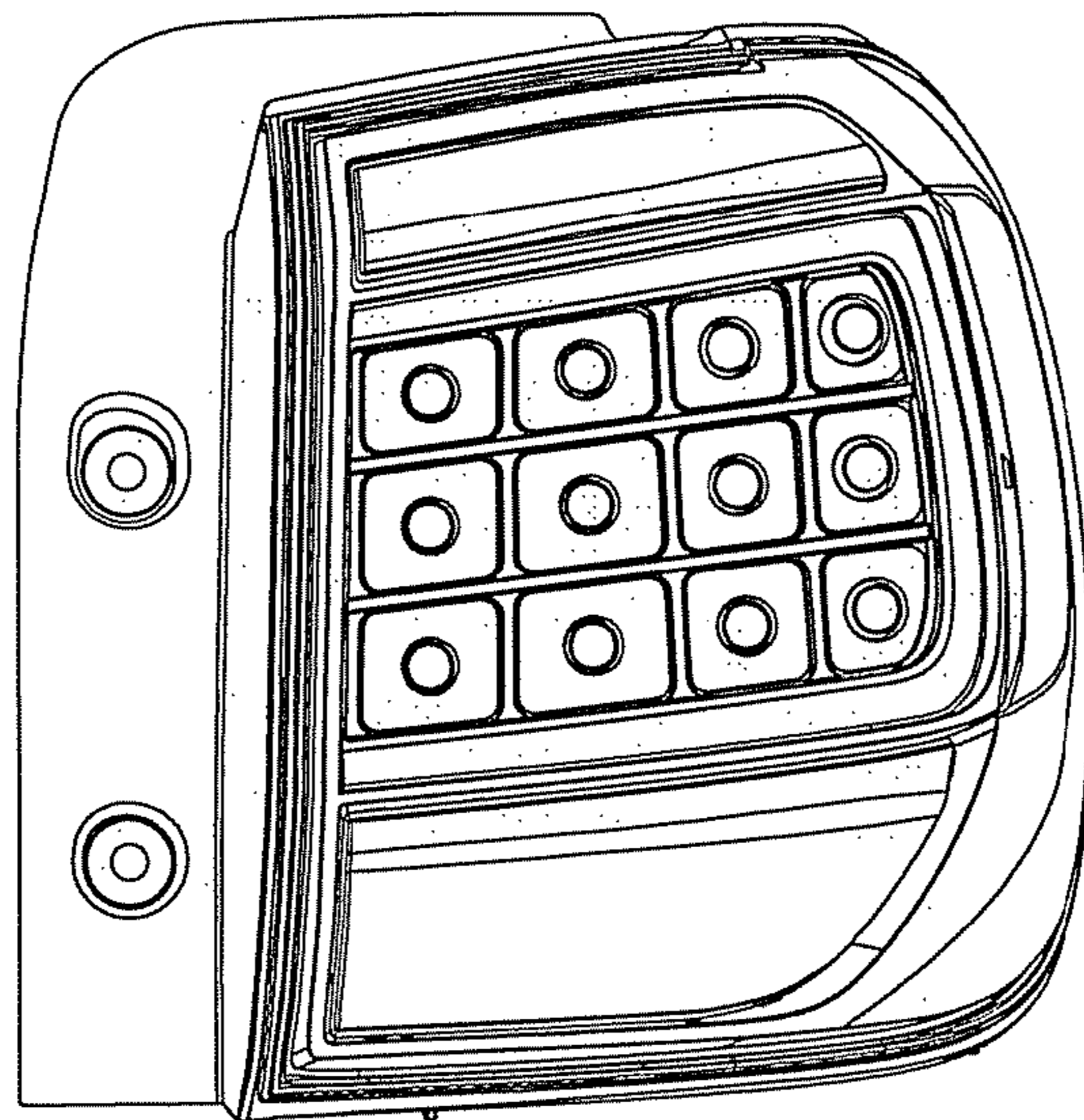


FIG. 3

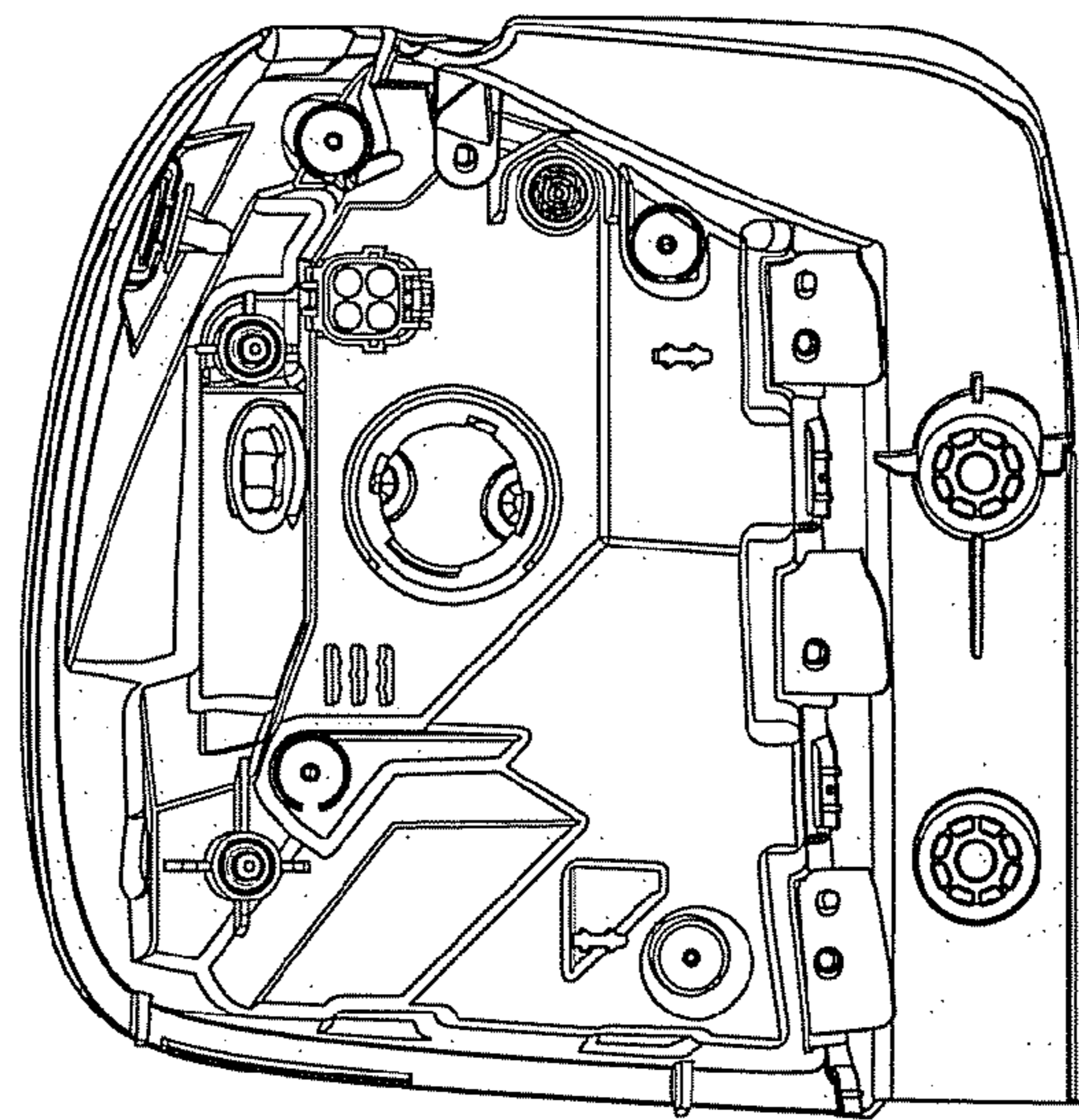


FIG. 4

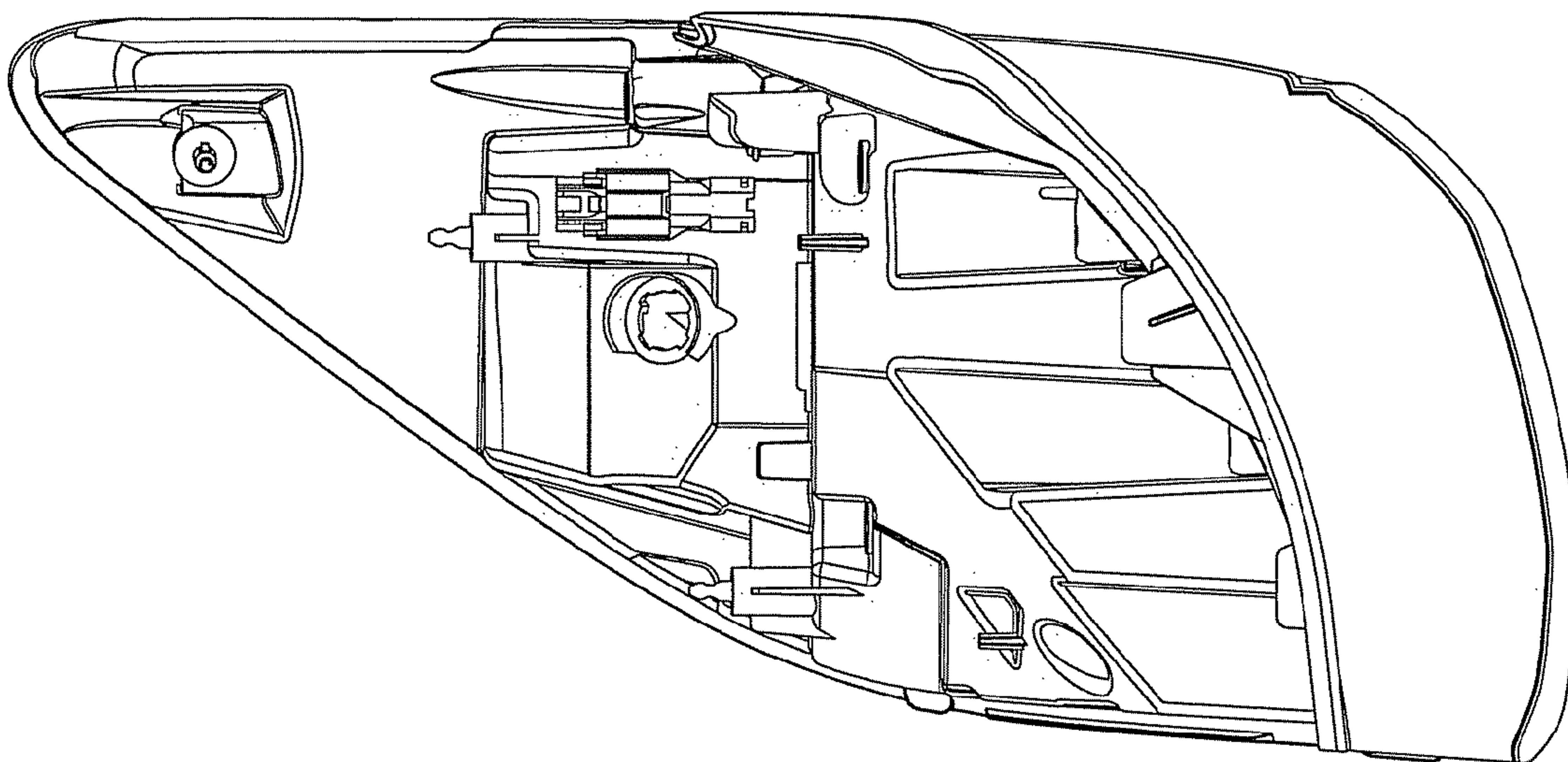


FIG. 5

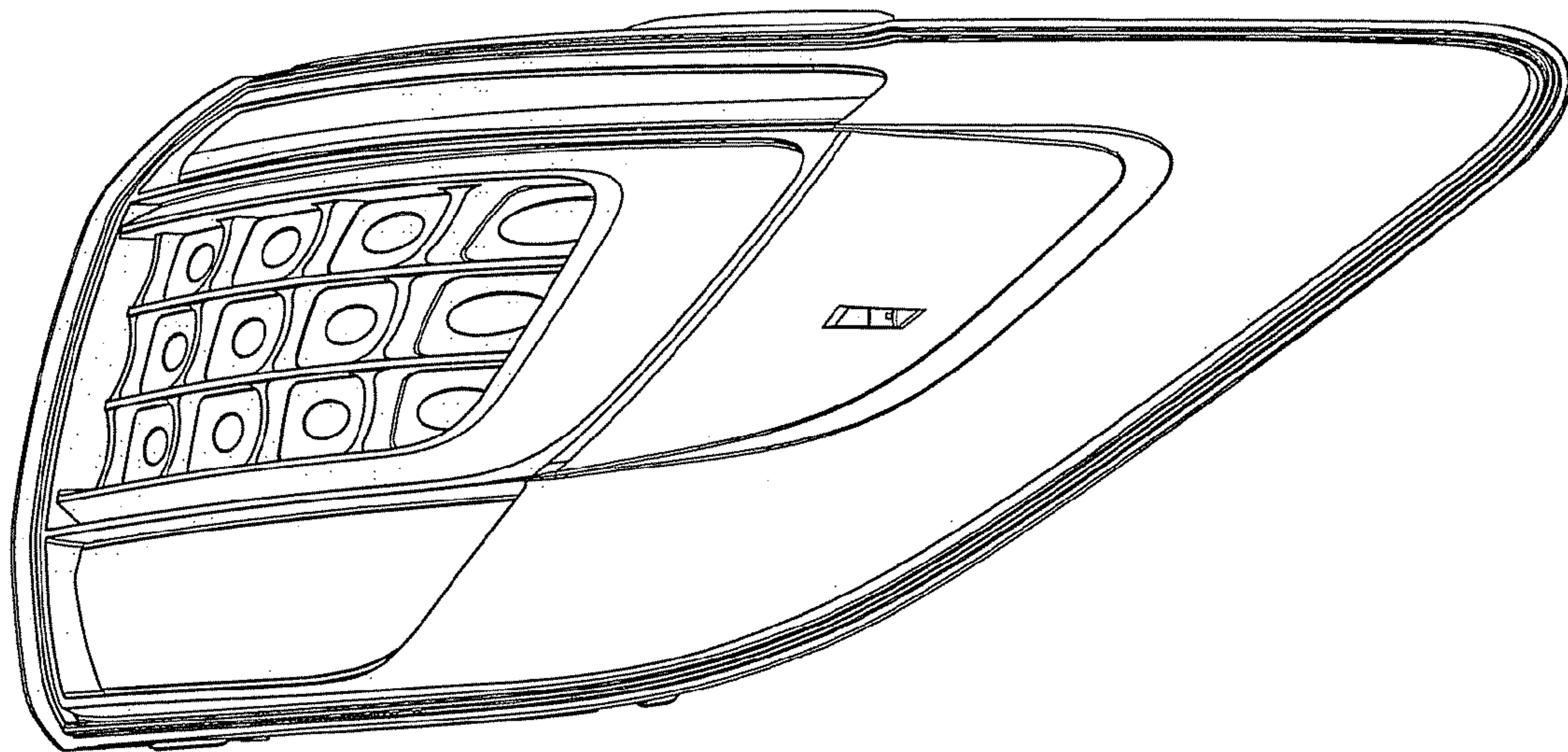


FIG. 6

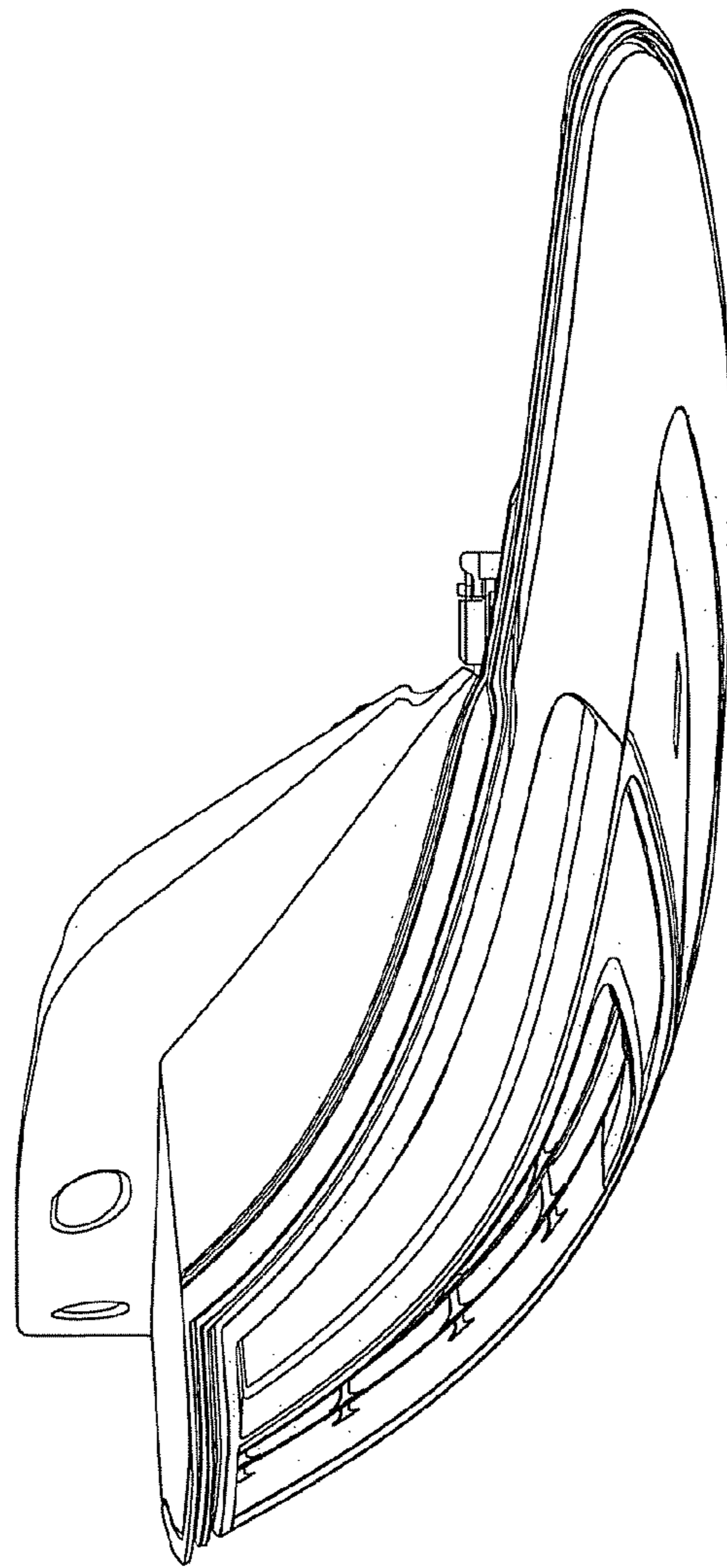


FIG. 7

