



US00D635282S

(12) **United States Design Patent**
Sperling et al.

(10) **Patent No.:** **US D635,282 S**
(45) **Date of Patent:** **** Mar. 29, 2011**

(54) **FRONT COMBINATION LAMP FOR AN
AUTOMOBILE**

D560,291 S * 1/2008 Koyama D26/28
D561,358 S * 2/2008 Tachibana D26/28
D607,127 S 12/2009 McMahan

(75) Inventors: **Matthew Sperling**, Newport Beach, CA
(US); **Peter Kim**, Newport Beach, CA
(US); **Jason Keenan**, Newport Beach,
CA (US)

(73) Assignee: **Toyota Jidosha Kabushiki Kaisha**,
Toyota-shi (JP)

(**) Term: **14 Years**

(21) Appl. No.: **29/362,112**

(22) Filed: **May 20, 2010**

(51) **LOC (9) Cl.** **26-06**

(52) **U.S. Cl.** **D26/28**

(58) **Field of Classification Search** D26/28-36;
362/459-468, 475-478, 485-487

See application file for complete search history.

(56) **References Cited**

U.S. PATENT DOCUMENTS

D536,113 S * 1/2007 Pfeiffer D26/28
D537,180 S * 2/2007 Hsu D26/28
D550,383 S * 9/2007 Asai D26/28
D556,349 S * 11/2007 Golden et al. D26/28

OTHER PUBLICATIONS

Website: URL: http://www.netcarshow.com/infiniti/2005-fx45/800x600/wallpaper_02.htm, Infiniti FX45 (date 2005).

Website: URL: http://www.netcarshow.com/scion/2008-xb/800x600/wallpaper_01.htm, Toyota Scion xB (date unspecified).

Website: URL: http://www.netcarshow.com/toyota/2008-highlander/800x600/wallpaper_1c.htm, Toyota Highlander (date 2008).

* cited by examiner

Primary Examiner — Marcus A Jackson

(74) *Attorney, Agent, or Firm* — Finnegan, Henderson,
Farabow, Garrett & Dunner, LLP

(57) **CLAIM**

The ornamental design for a front combination lamp for an automobile, as shown and described.

DESCRIPTION

FIG. 1 is a front perspective view of a front combination lamp for an automobile of our new design;

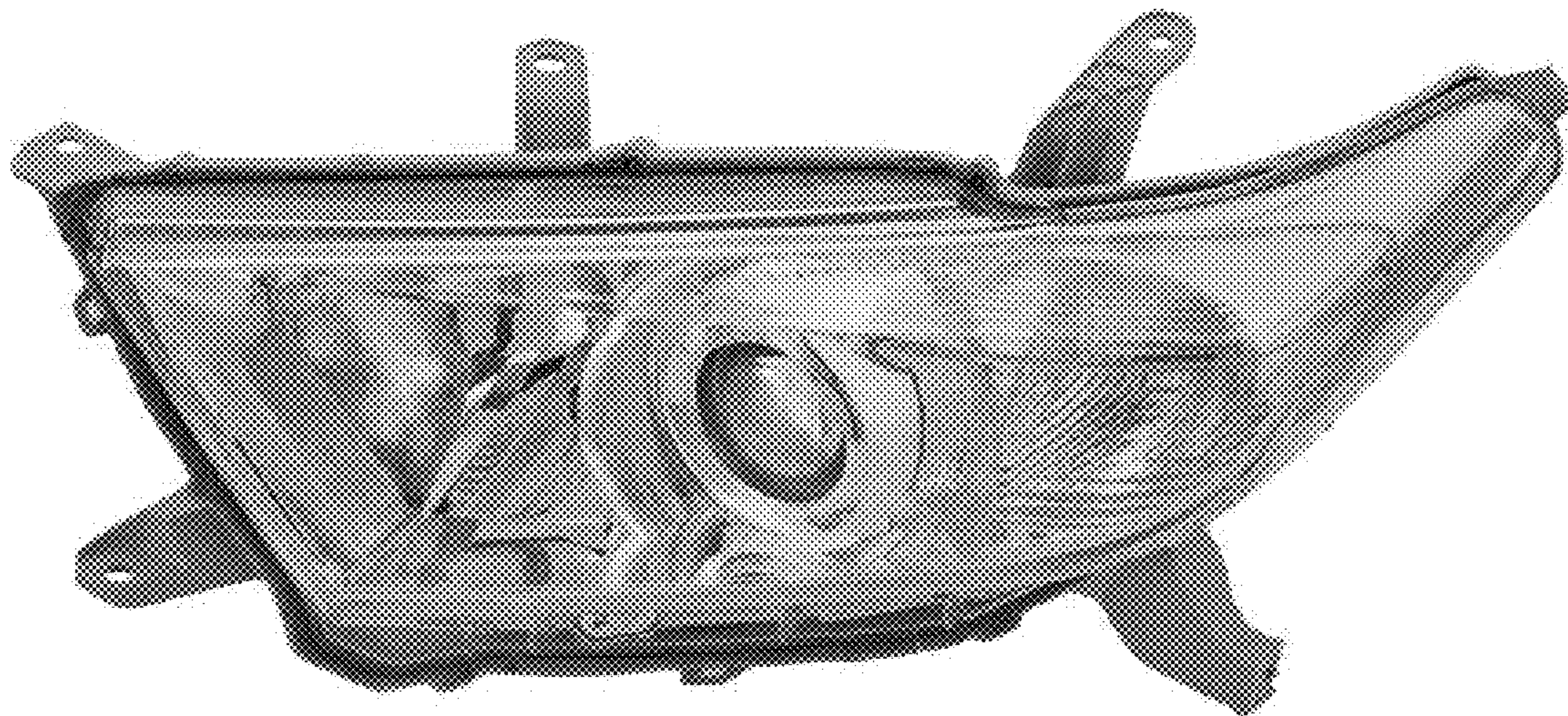
FIG. 2 is a front view thereof;

FIG. 3 is a top plan view thereof;

FIG. 4 is a bottom view thereof; and,

FIG. 5 is a right side view thereof.

1 Claim, 3 Drawing Sheets



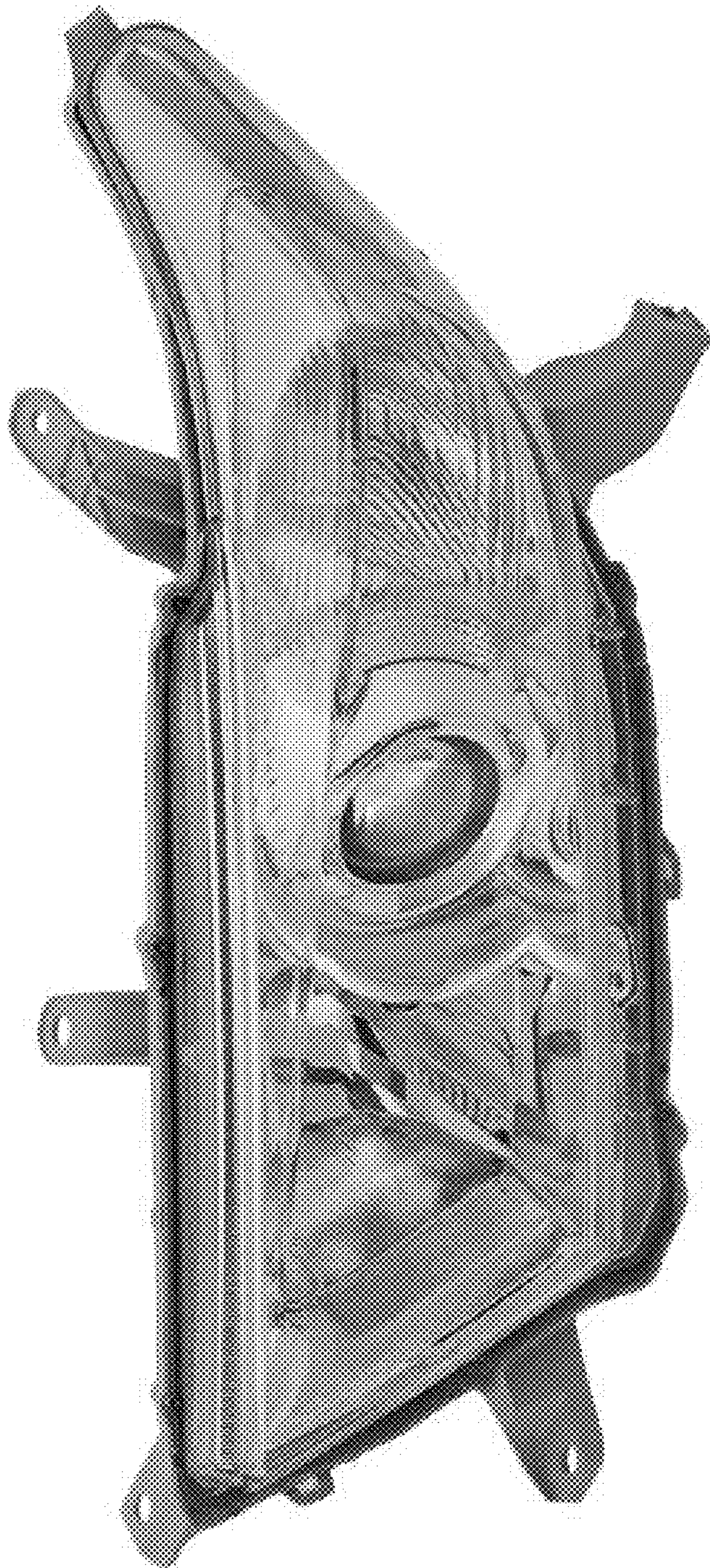


FIG. 1

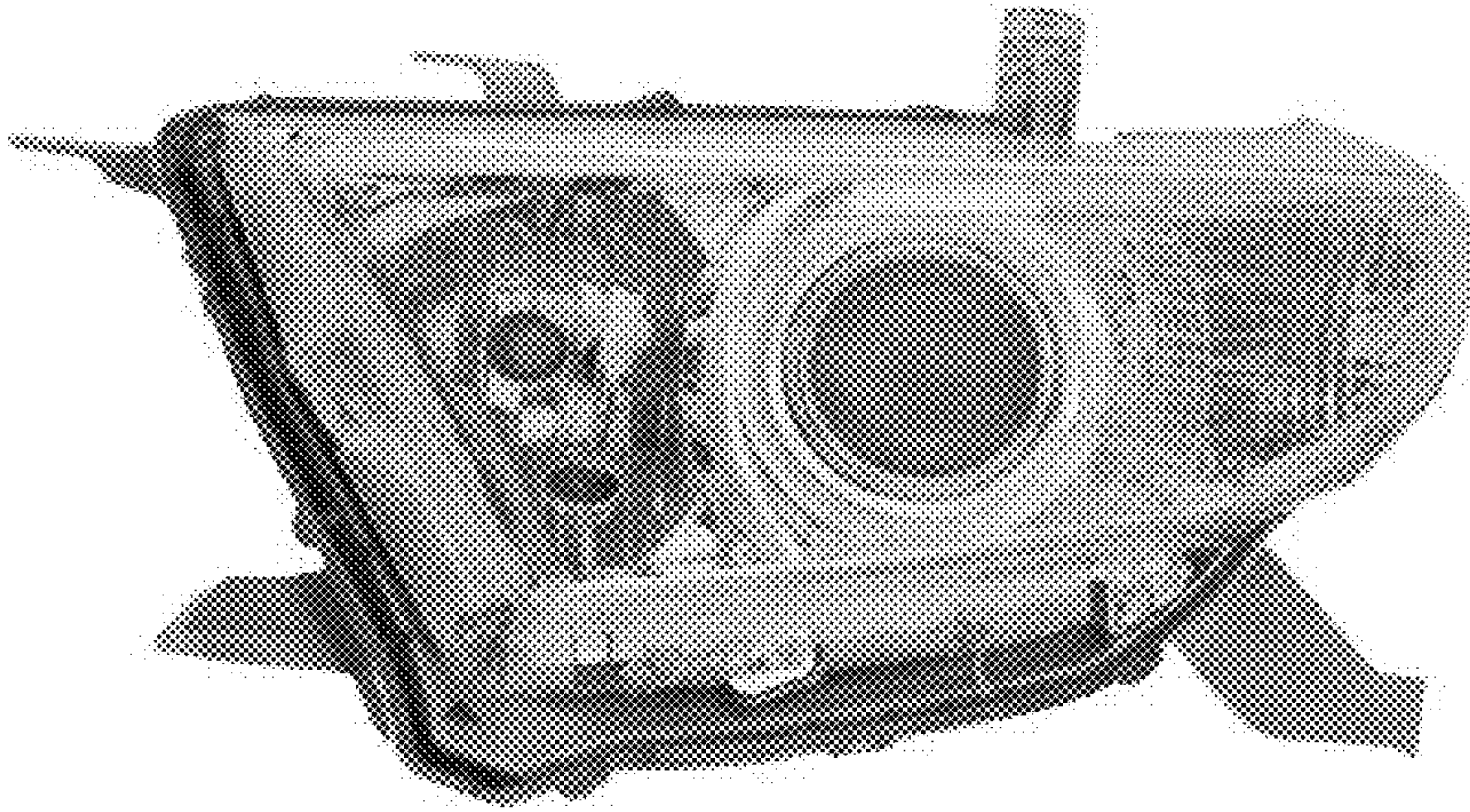


FIG. 2

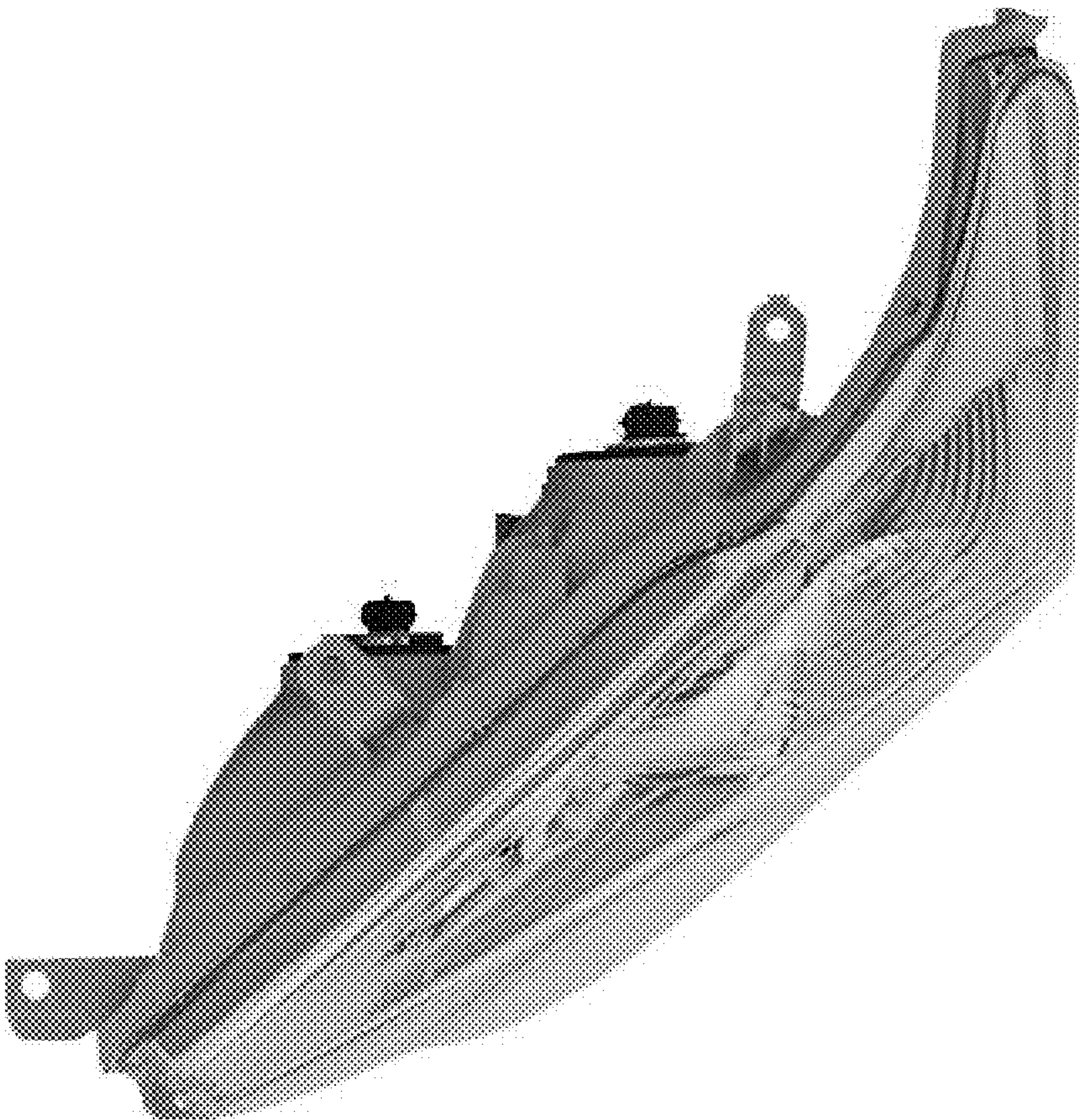


FIG. 3

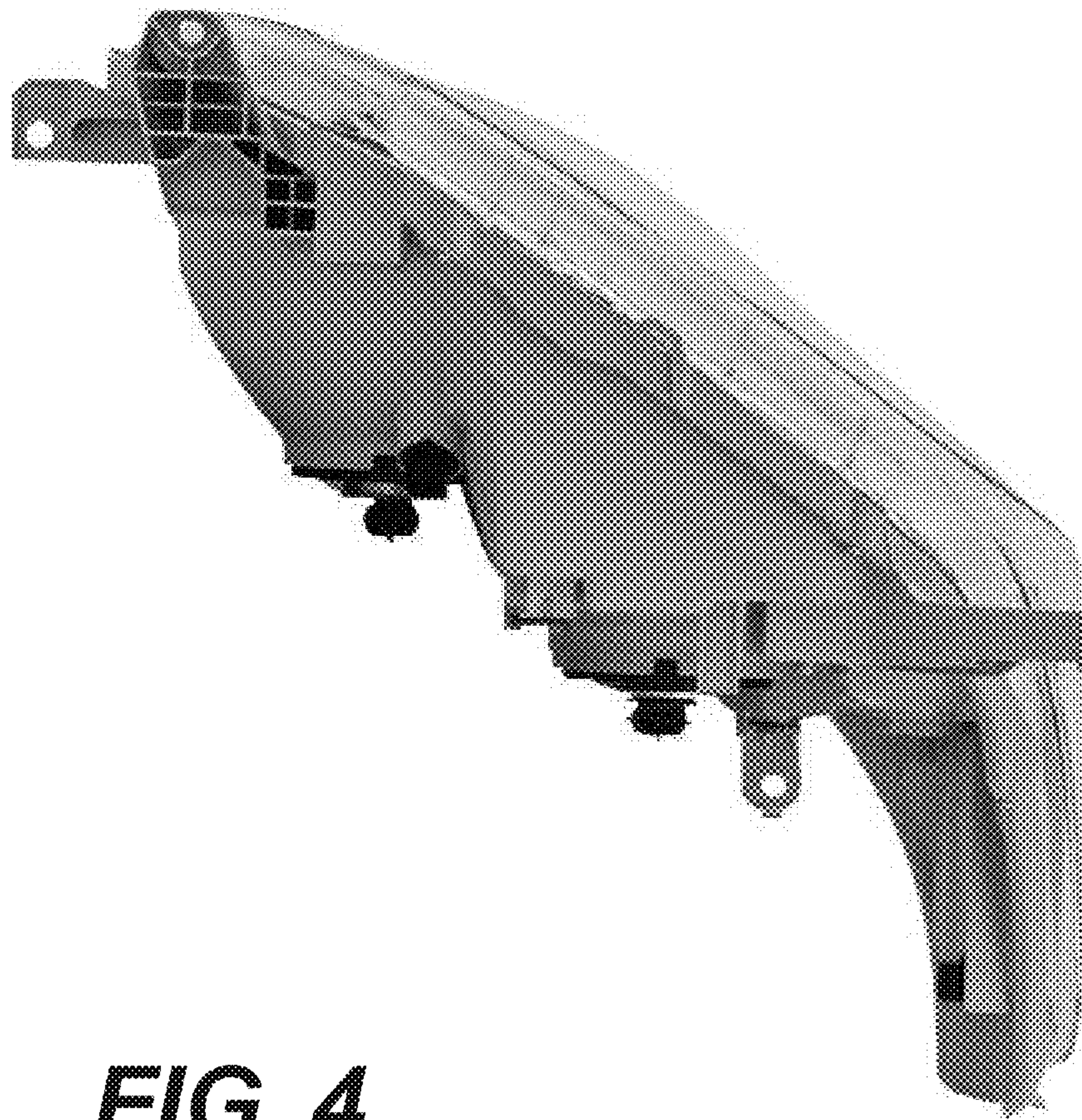


FIG. 4

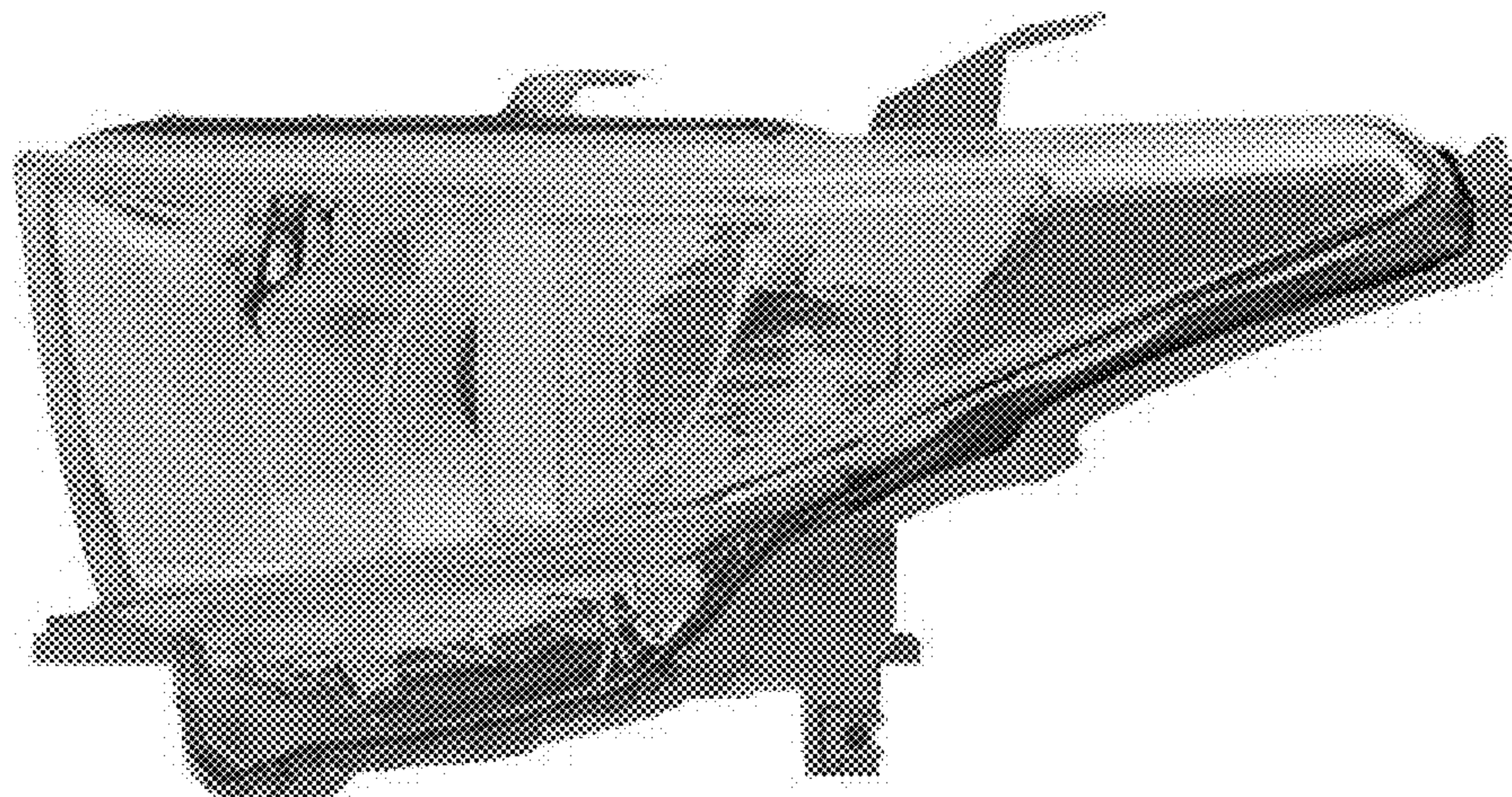


FIG. 5