



US00D635281S

(12) **United States Design Patent**
Murakami et al.

(10) **Patent No.:** **US D635,281 S**
(45) **Date of Patent:** **** Mar. 29, 2011**

(54) **LIGHT EMITTING DIODE LAMP**

FOREIGN PATENT DOCUMENTS

(75) Inventors: **Yutaka Murakami**, Shiga (JP); **Kenji Takahashi**, Osaka (JP); **Nobuyuki Matsui**, Osaka (JP); **Tetsushi Tamura**, Osaka (JP); **Yasushige Tomiyoshi**, Osaka (JP)

JP D1363593 6/2009
JP D1383974 3/2010
JP D1383975 3/2010

* cited by examiner

(73) Assignee: **Panasonic Corporation**, Osaka (JP)

Primary Examiner — Marcus A Jackson

(**) Term: **14 Years**

(74) *Attorney, Agent, or Firm* — Brinks Hofer Gilson & Lione

(21) Appl. No.: **29/366,568**

(57) **CLAIM**

We claim the ornamental design for a light emitting diode lamp, as shown and described.

(22) Filed: **Jul. 27, 2010**

DESCRIPTION

(30) **Foreign Application Priority Data**

Feb. 26, 2010 (JP) 2010-4520 U
Feb. 26, 2010 (JP) 2010-4521 U

(51) **LOC (9) Cl.** **26-04**

(52) **U.S. Cl.** **D26/2**

(58) **Field of Classification Search** D26/1-4;
313/313, 315, 316, 317, 318, 493; 315/52,
315/53, 56, 57, 58

See application file for complete search history.

FIG. 1 is a top perspective view of a first embodiment of a light emitting diode lamp of the present invention; FIG. 2 is a front view thereof; FIG. 3 is a rear view thereof; FIG. 4 is a first side view thereof; FIG. 5 is a second side view thereof; FIG. 6 is a top view thereof; FIG. 7 is a bottom view thereof; FIG. 8 is a top perspective view of a second embodiment of a light emitting diode lamp of the present invention; FIG. 9 is a front view thereof; FIG. 10 is a rear view thereof; FIG. 11 is a first side view thereof; FIG. 12 is a second side view thereof; FIG. 13 is a top view thereof; and, FIG. 14 is a bottom view thereof.

(56) **References Cited**

U.S. PATENT DOCUMENTS

D534,665 S 1/2007 Egawa et al.
D542,426 S * 5/2007 Itaya et al. D26/2
D549,361 S * 8/2007 To et al. D26/2
D581,556 S * 11/2008 To et al. D26/2
D600,367 S * 9/2009 Bertram et al. D26/2
D601,378 S * 10/2009 Chung D7/334
D602,614 S * 10/2009 Takahashi et al. D26/2
D617,918 S * 6/2010 Yamamoto et al. D26/2

The broken line showing of light emitting diode lamp is included for the purpose of illustrating environment and forms no part of the claimed design.

1 Claim, 14 Drawing Sheets

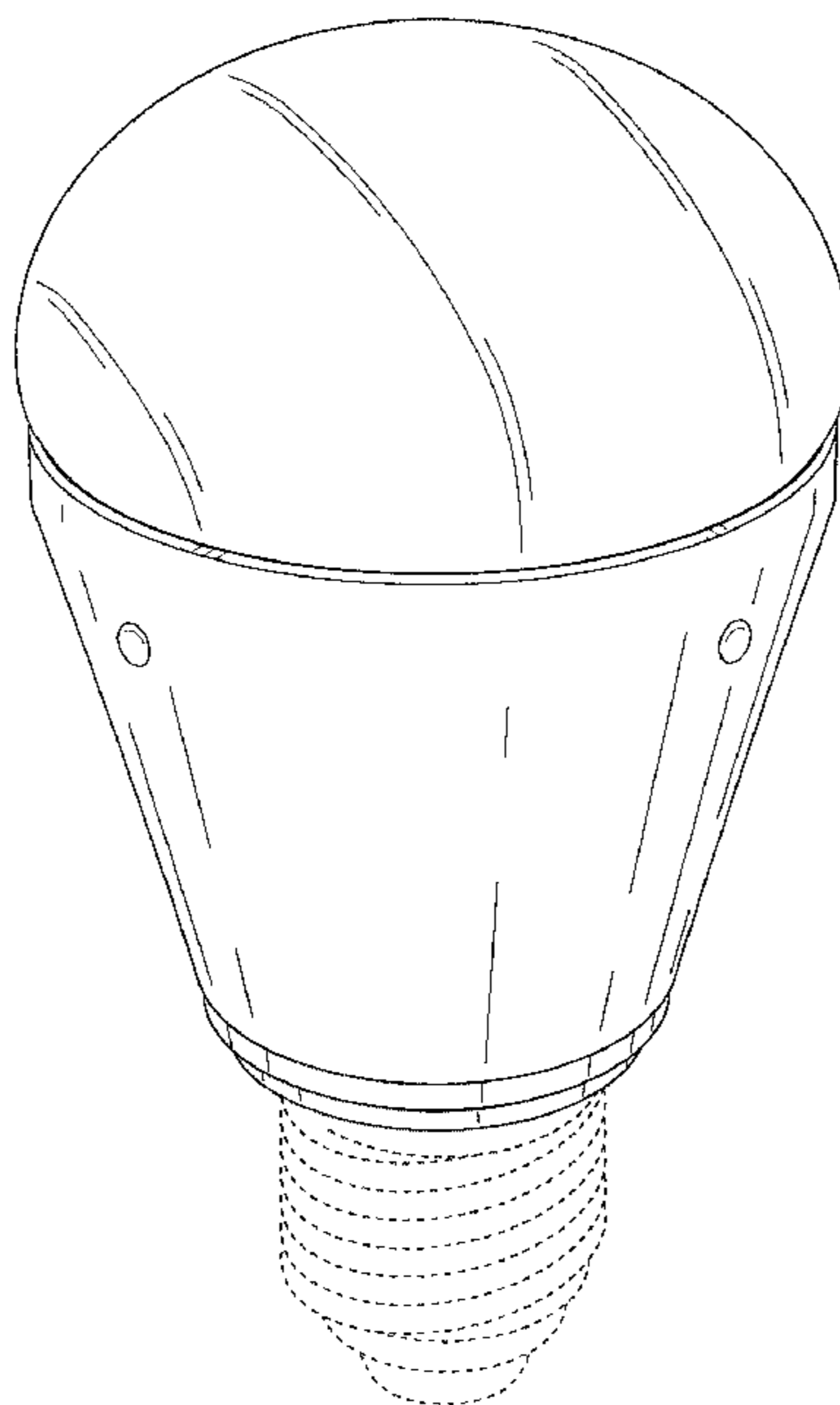


FIG.1

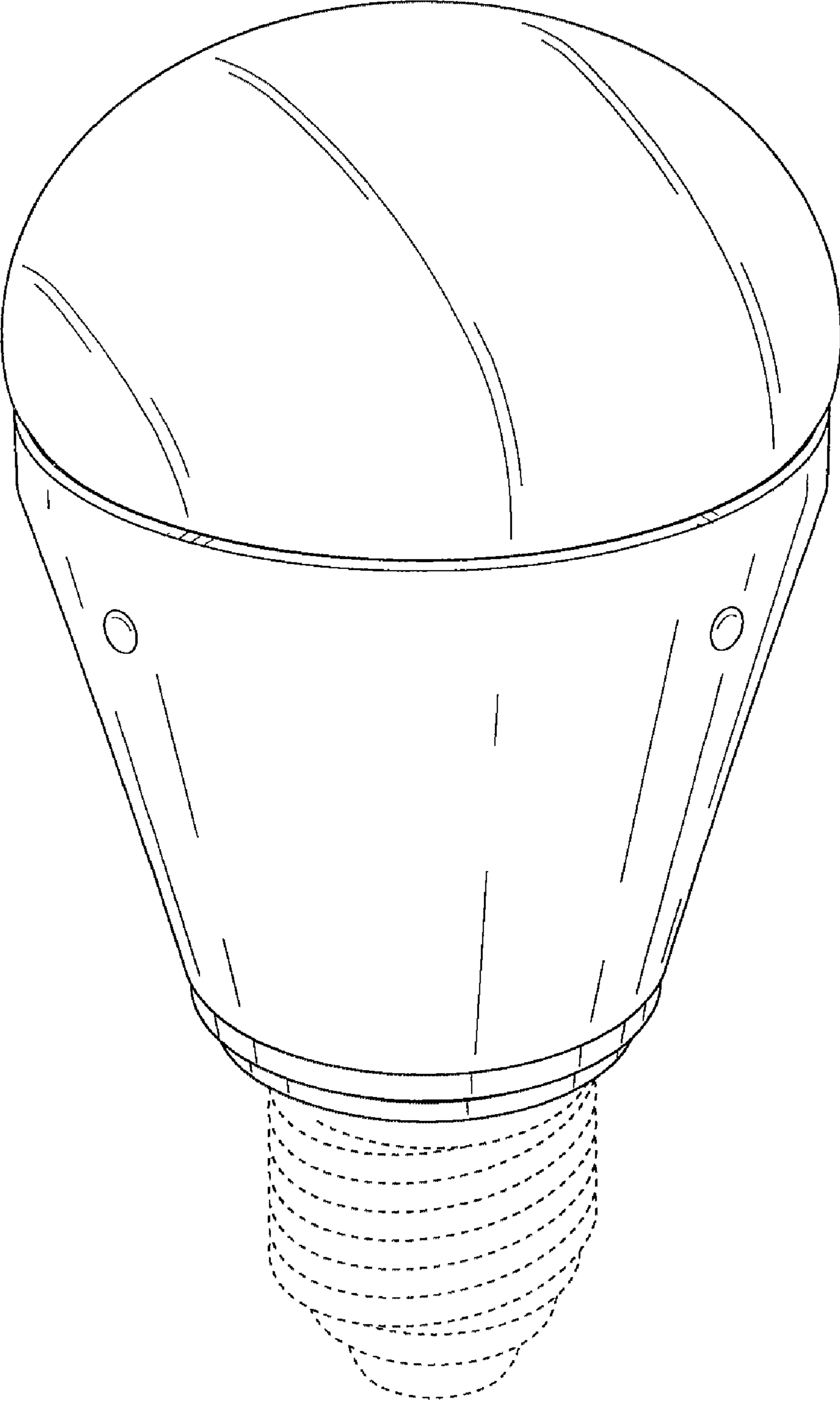


FIG.2

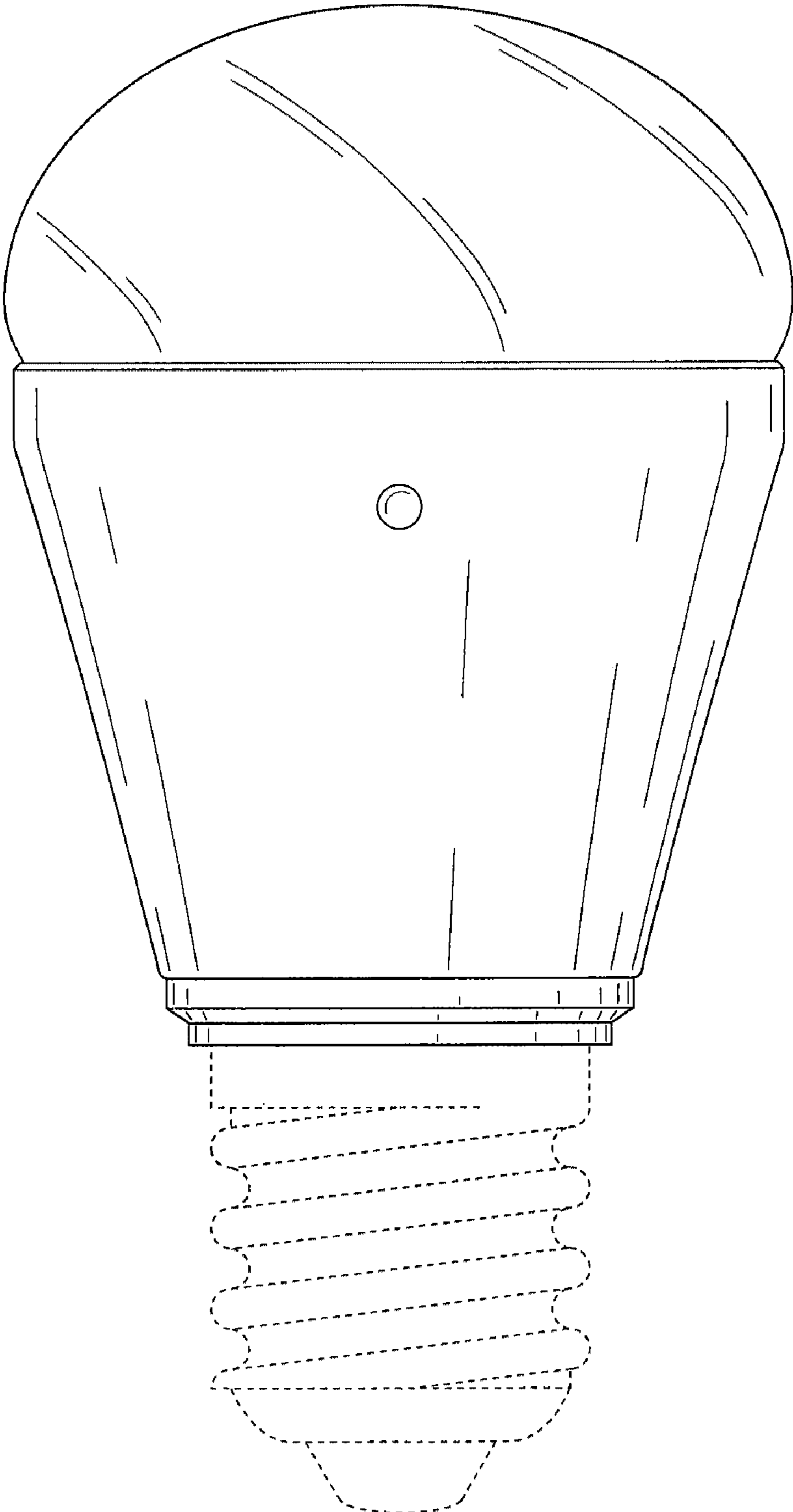


FIG.3

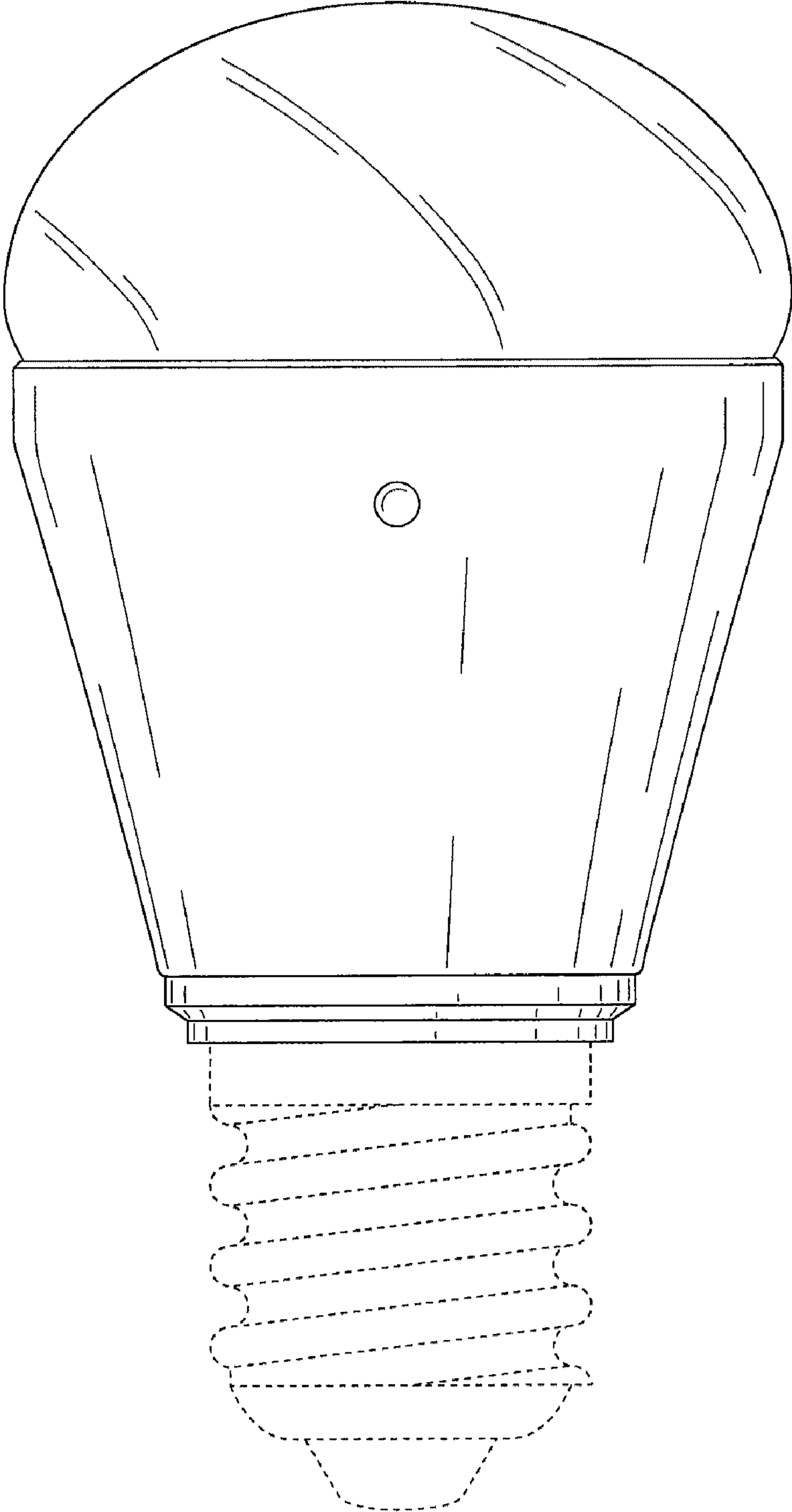


FIG.4

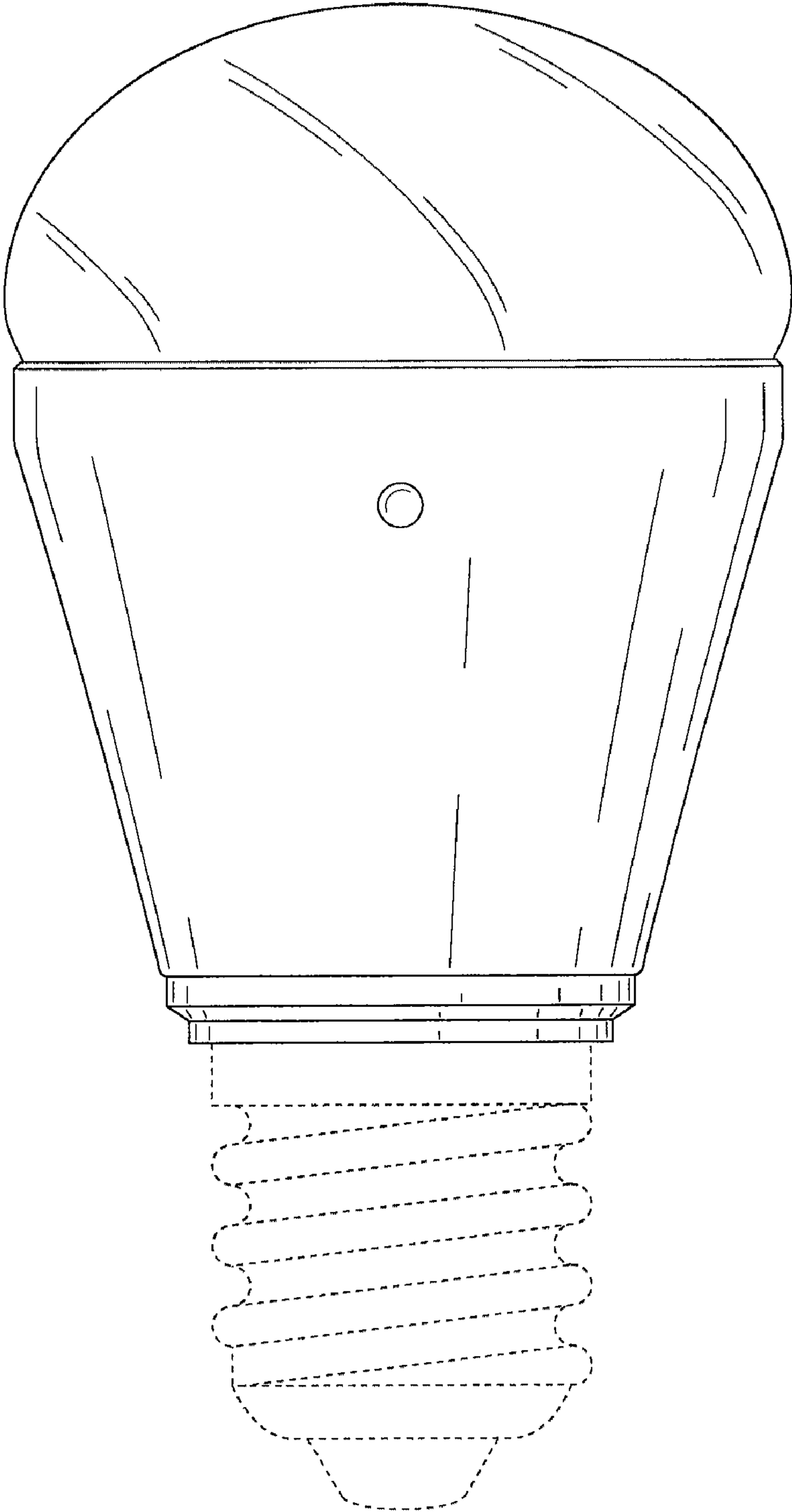


FIG.5

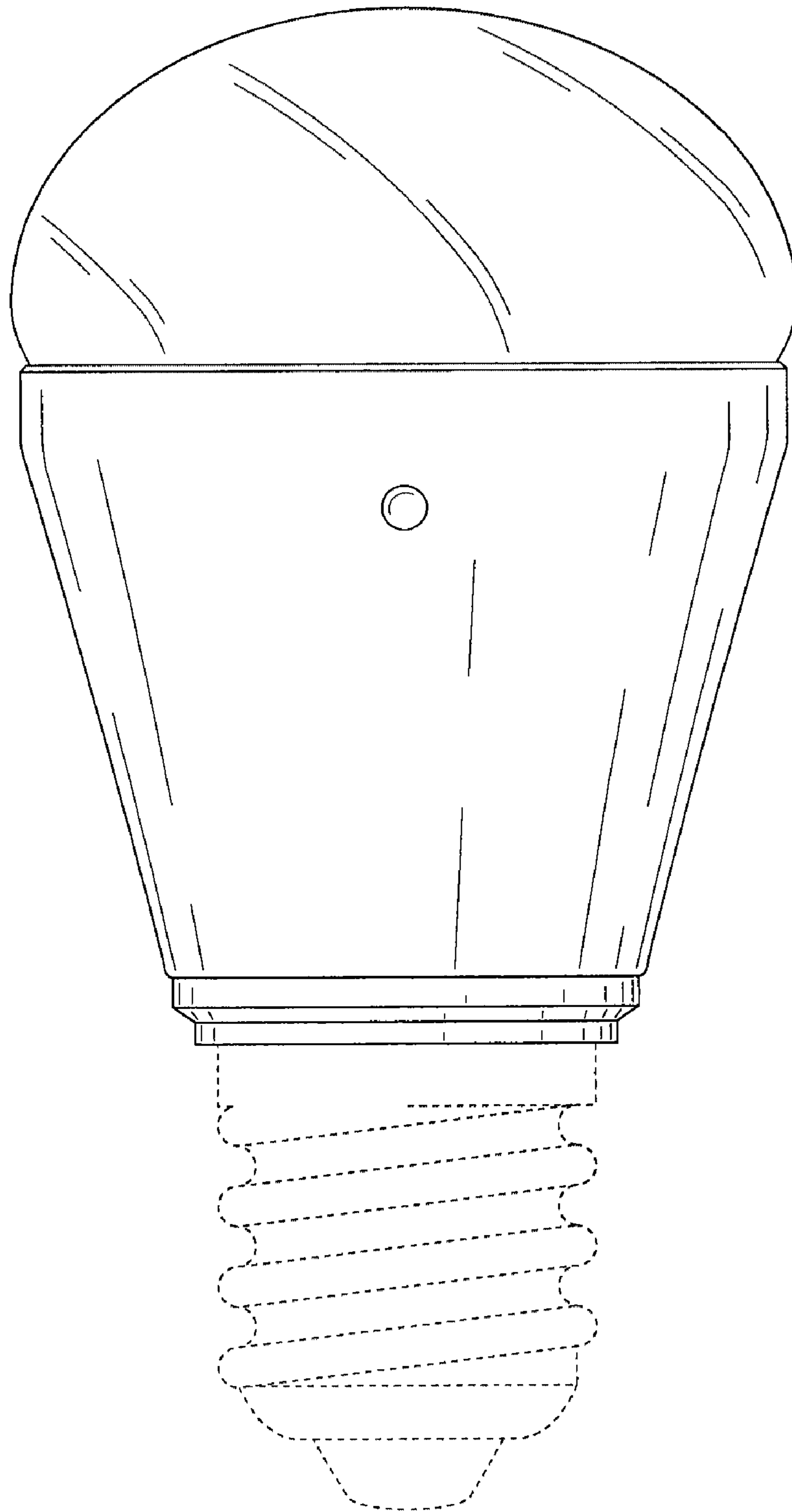


FIG.6

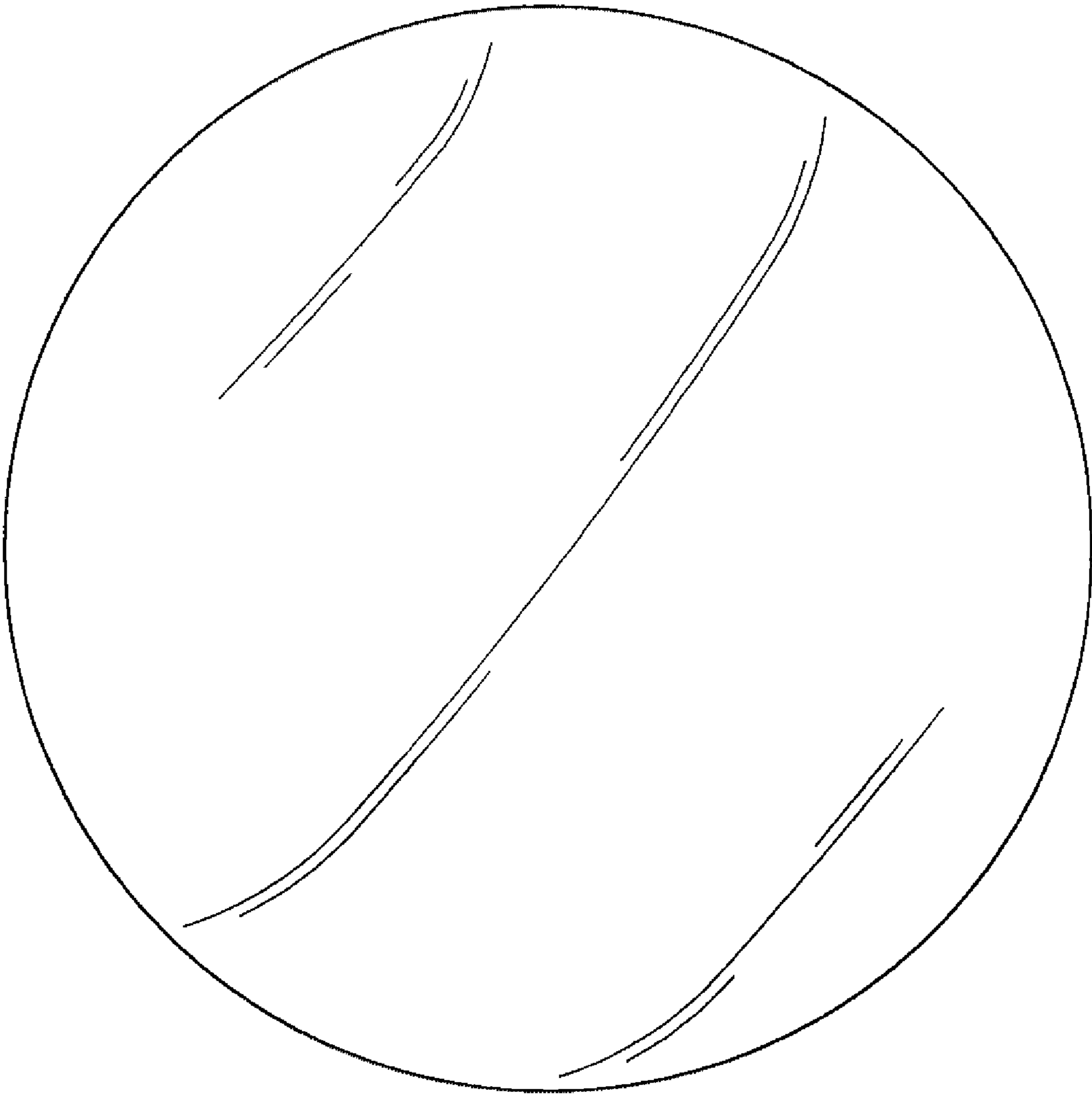


FIG. 7

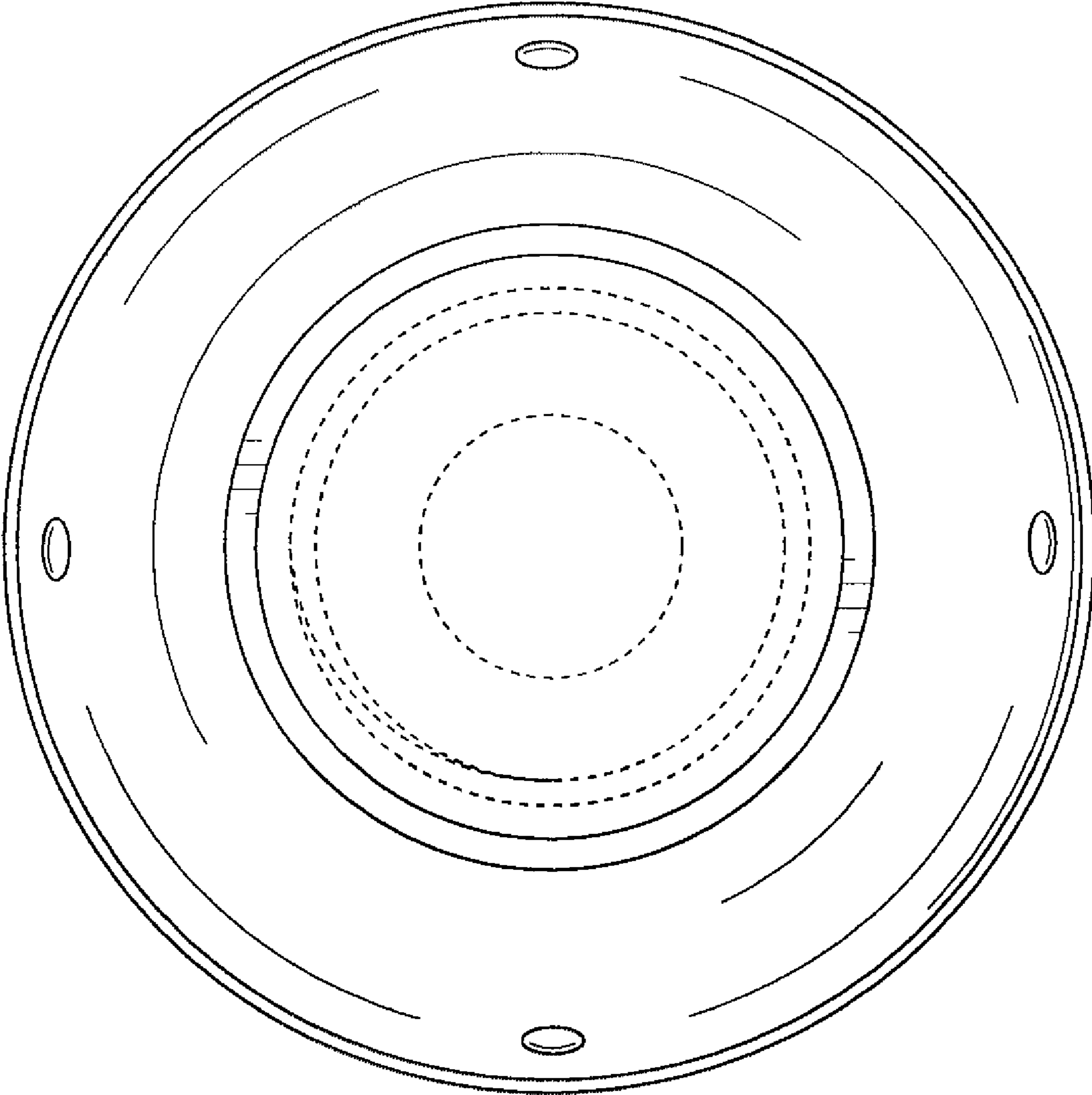


FIG.8

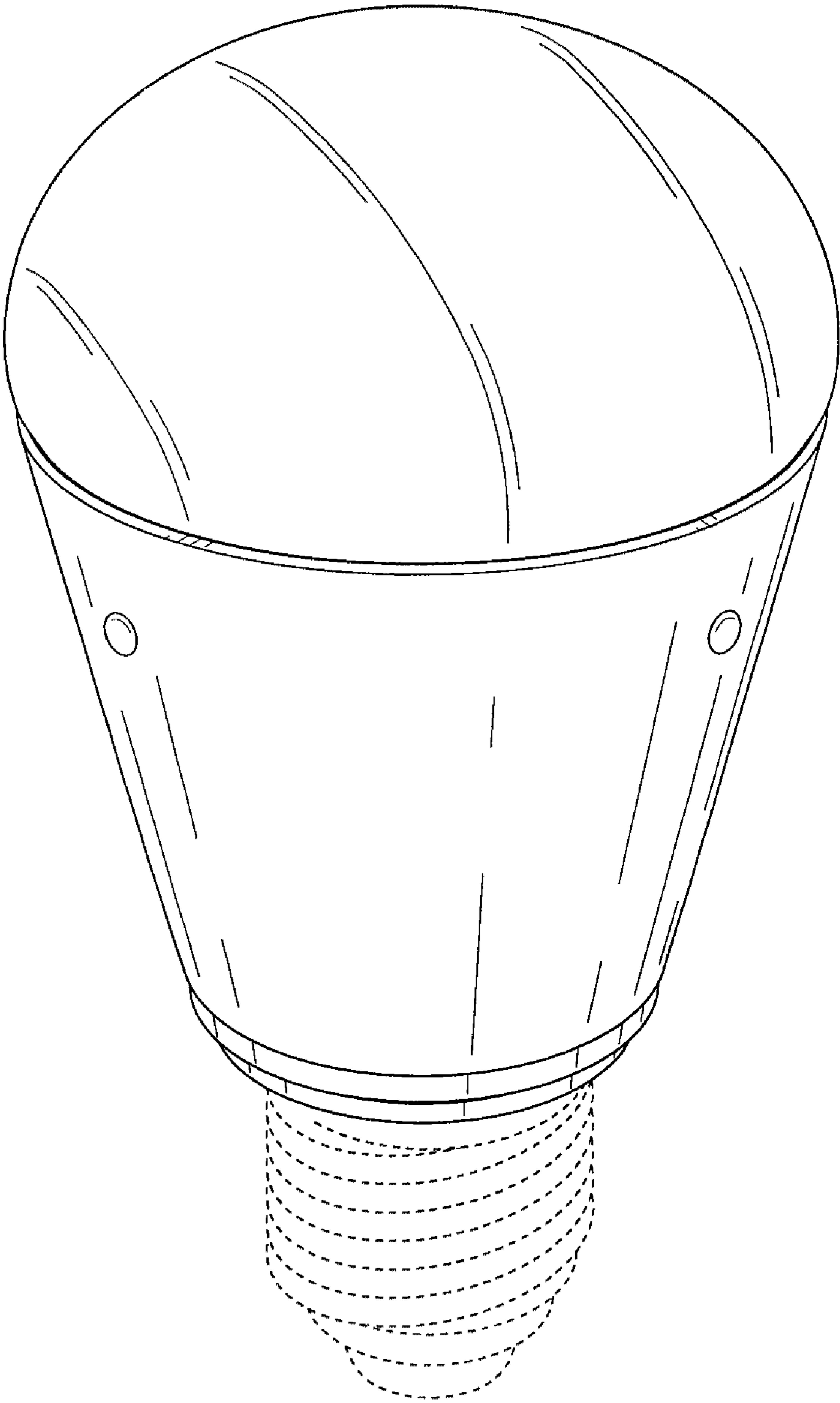


FIG. 9

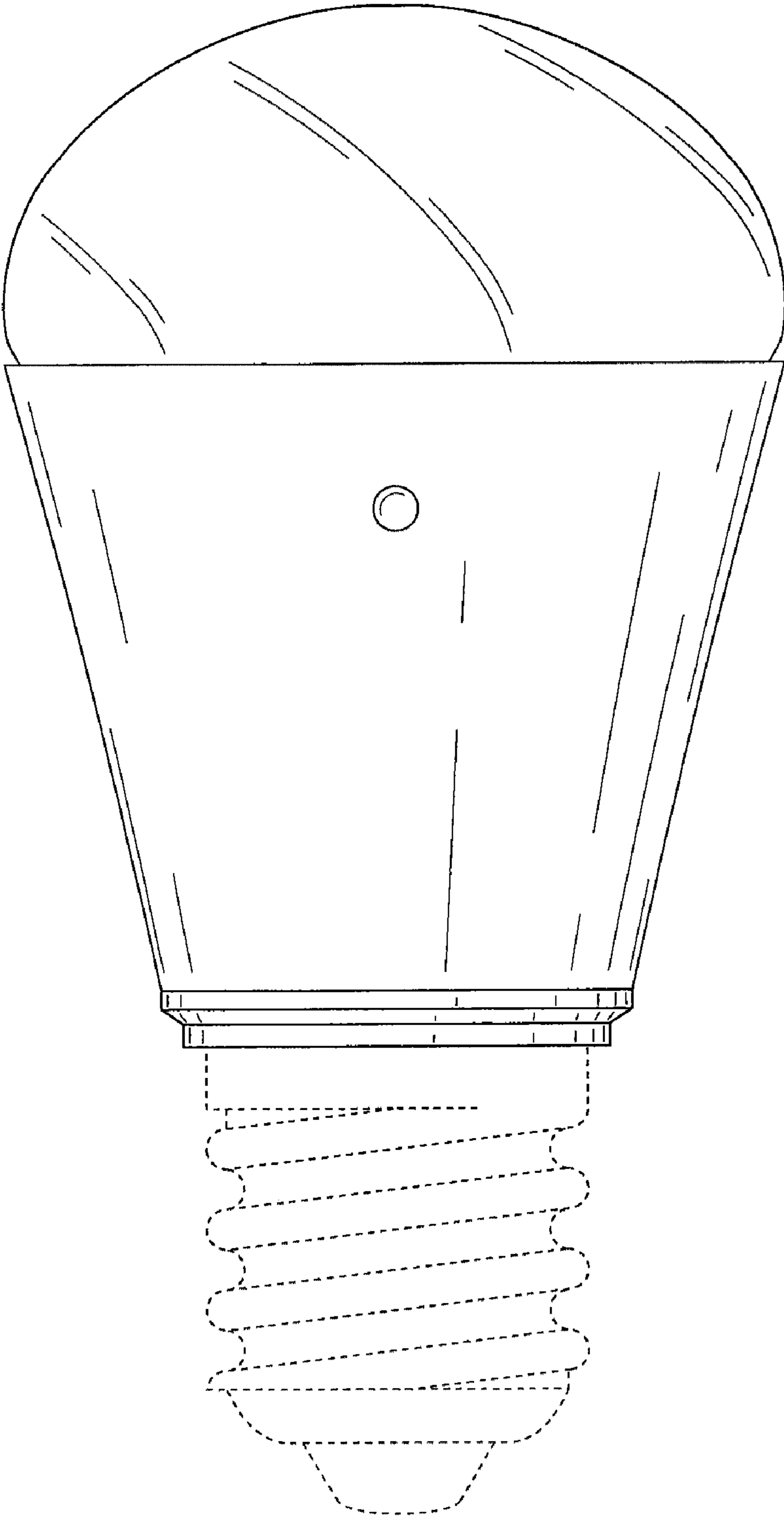


FIG.10

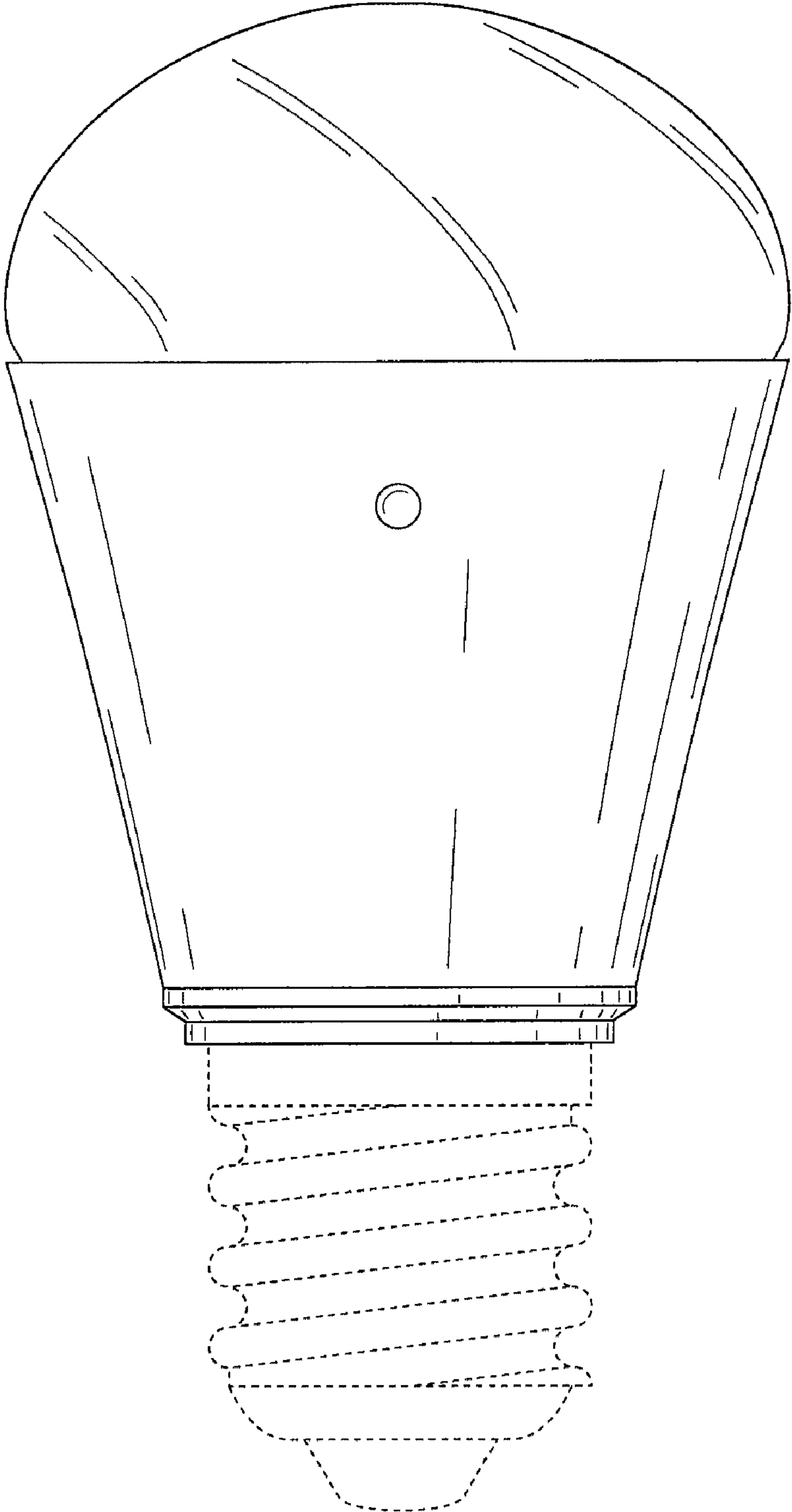


FIG.11

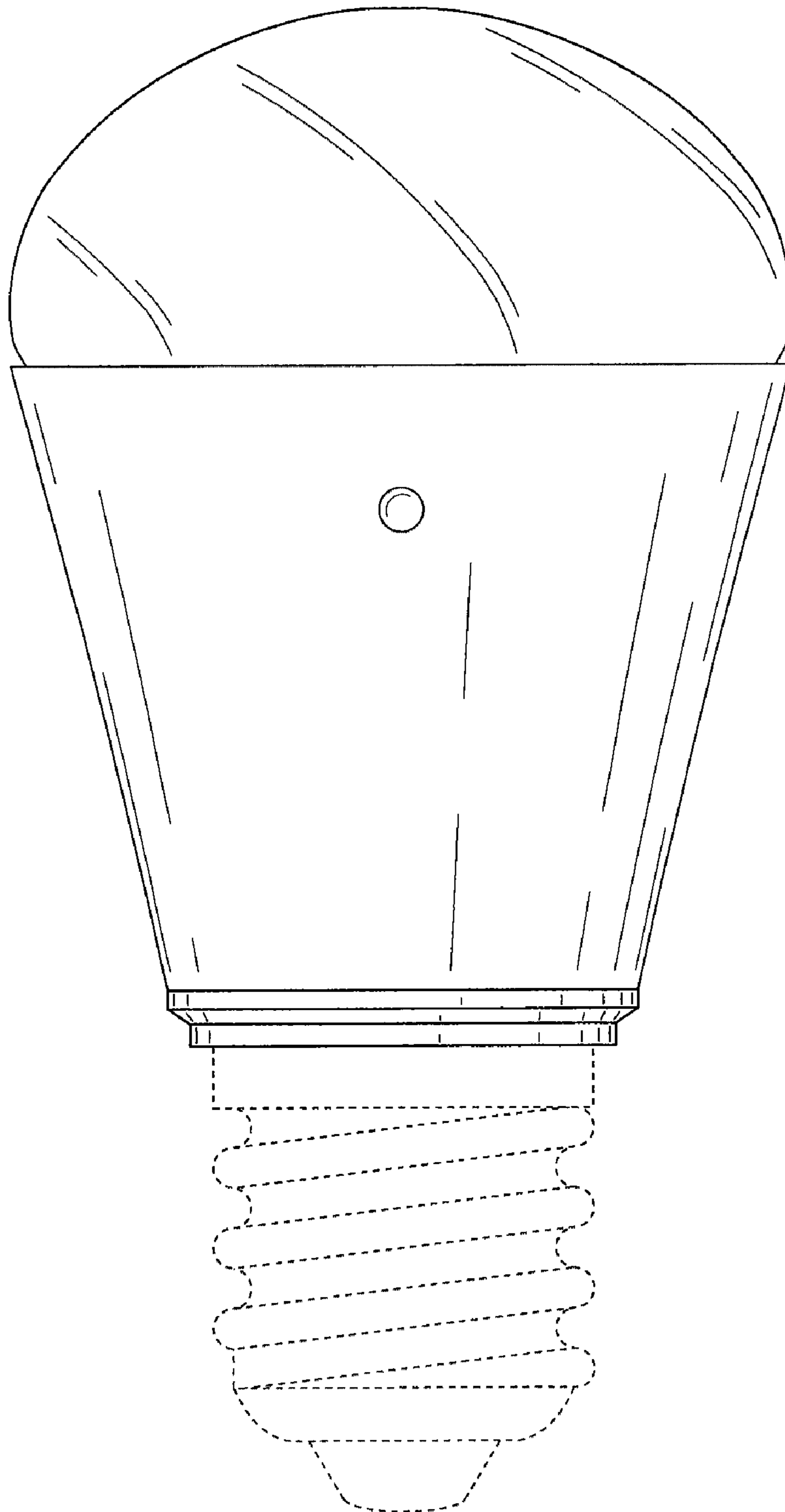


FIG.12

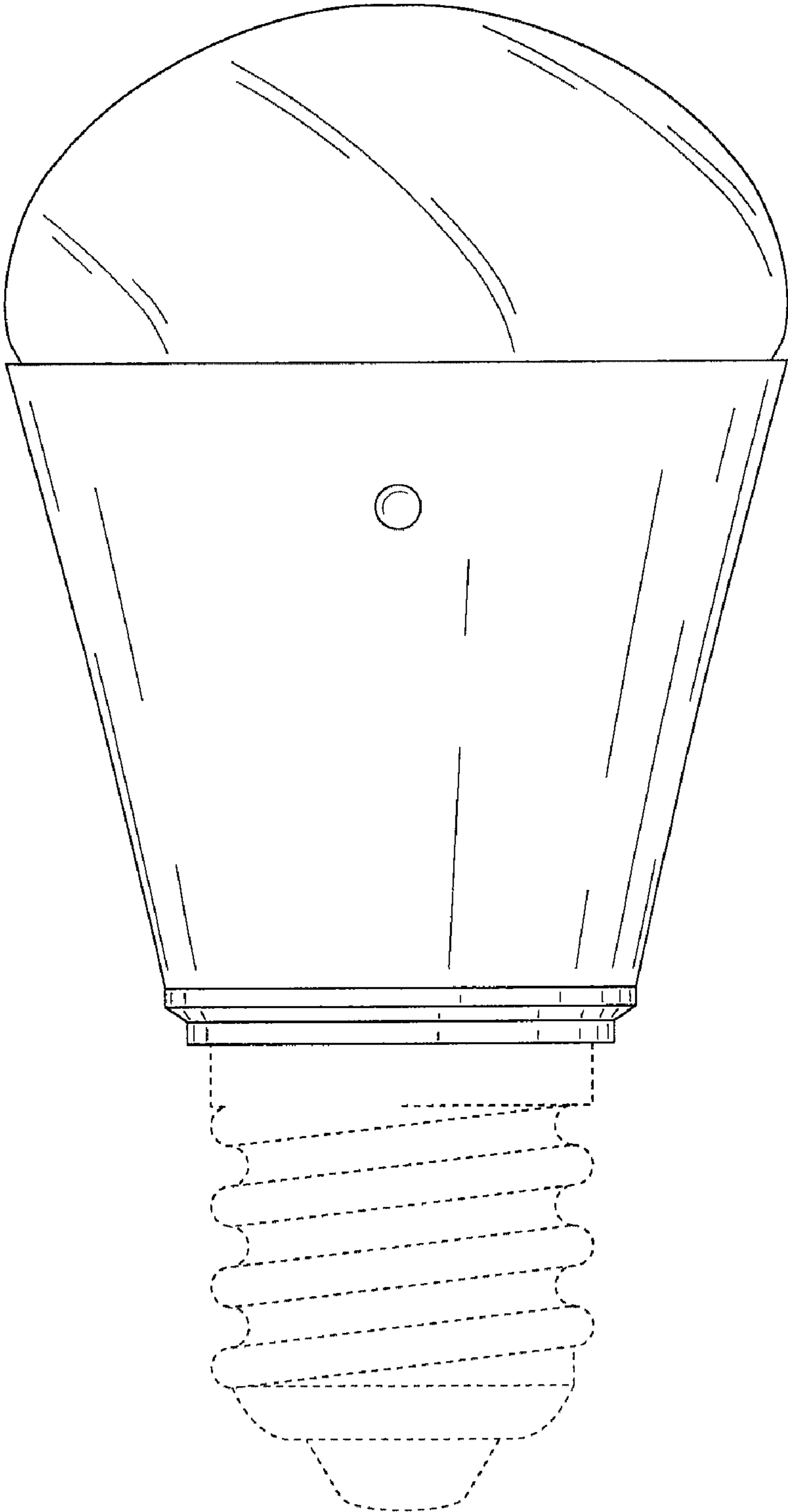


FIG.13

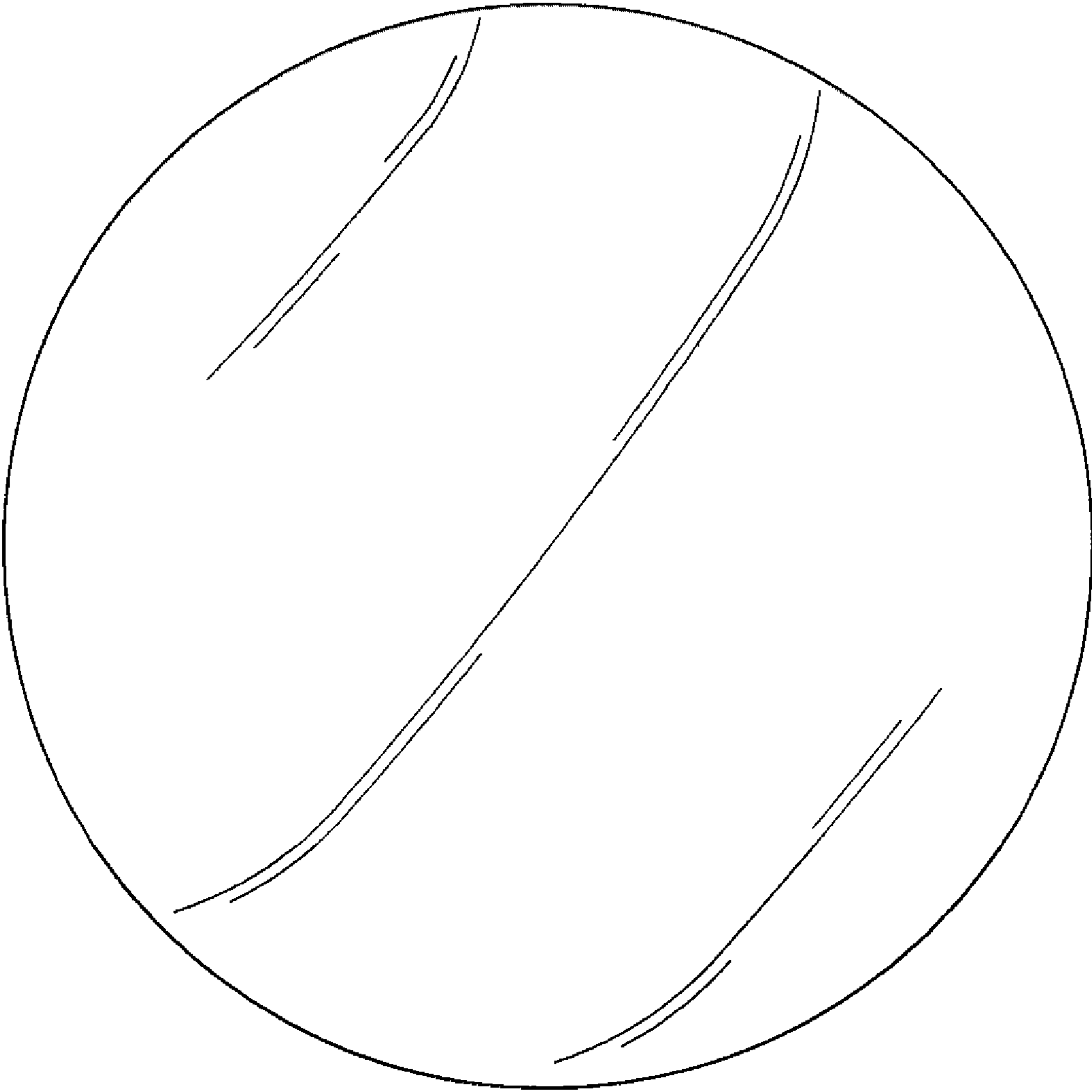


FIG.14

