



US00D635279S

(12) **United States Design Patent**
Mathon

(10) **Patent No.:** **US D635,279 S**

(45) **Date of Patent:** **** Mar. 29, 2011**

(54) **EXTERIOR WALL JOINT ARRANGEMENT**

(76) Inventor: **Michel Mathon**, Repentigny (CA)

(**) Term: **14 Years**

(21) Appl. No.: **29/311,906**

(22) Filed: **Jul. 29, 2009**

(51) **LOC (9) Cl.** **25-01**

(52) **U.S. Cl.** **D25/138**

(58) **Field of Classification Search** D25/138;
52/506.06, 506.08, 506.09, 506.01, 506.04,
52/578, 591.1, 461, 416, 417, 233

See application file for complete search history.

(56) **References Cited**

U.S. PATENT DOCUMENTS

2,498,551	A *	2/1950	Jonsrud	52/233
2,594,928	A *	4/1952	Horowitz	52/284
3,849,960	A	11/1974	Henry et al.		
3,898,779	A	8/1975	Tracy		
4,599,837	A *	7/1986	Wrightman	52/233
5,555,698	A	9/1996	Mandish		
5,577,357	A	11/1996	Civelli		
5,640,824	A	6/1997	Johnson et al.		
6,105,327	A *	8/2000	Kroll	52/506.05

6,205,731	B1 *	3/2001	Gerhaher	52/506.01
6,363,672	B1 *	4/2002	Baker	52/233
D555,813	S *	11/2007	Herdal	D25/138

* cited by examiner

Primary Examiner — Doris Clark

(74) *Attorney, Agent, or Firm* — Equinox Protections; Franz Bonsang, Patent Agent

(57) **CLAIM**

The ornamental design for the exterior wall joint arrangement, as shown and described.

DESCRIPTION

FIG. 1 is a top perspective view of my ornamental design of an exterior wall joint arrangement;

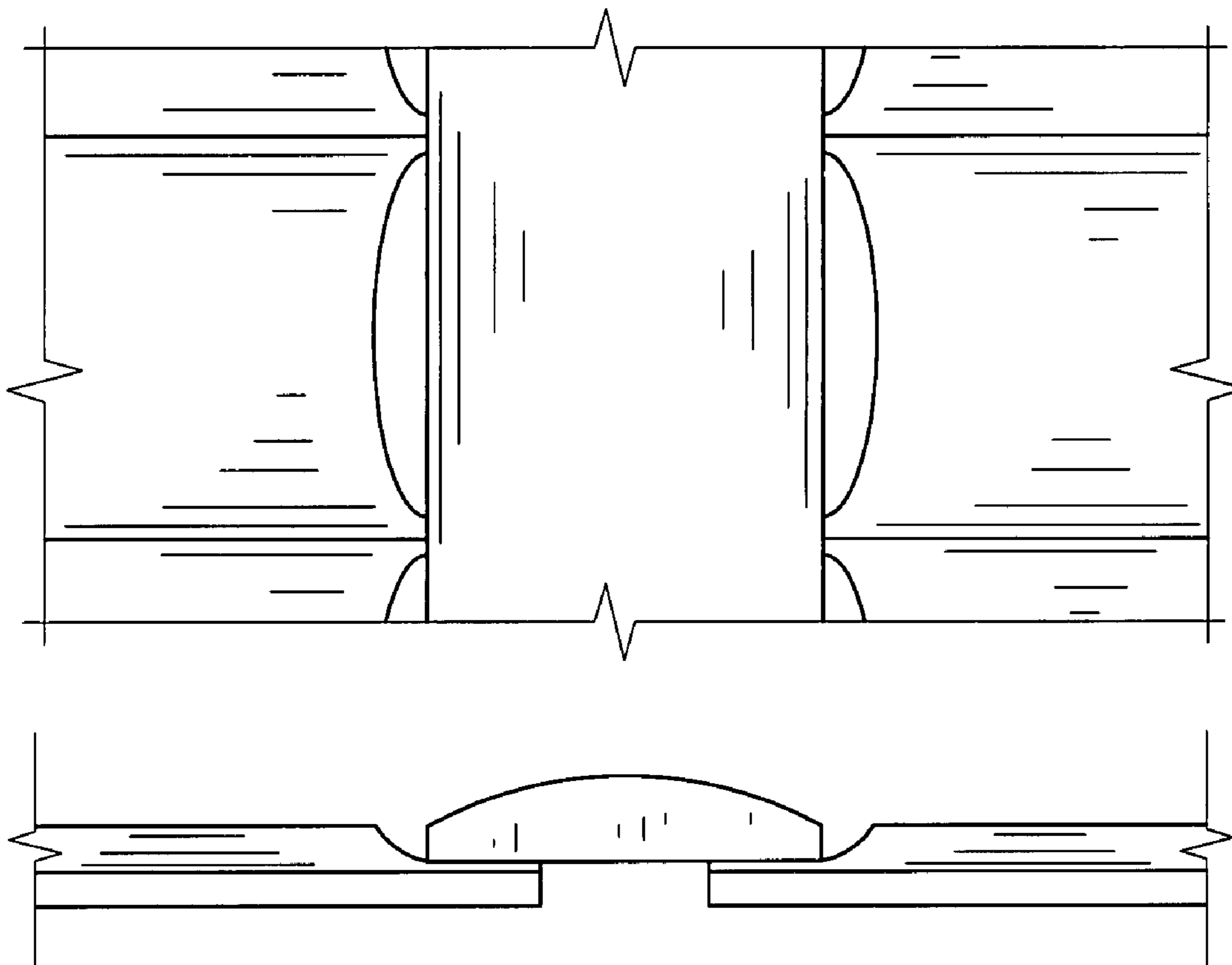
FIG. 2 is an enlarged broken front elevational view of one of the joints of the exterior wall joint arrangements;

FIG. 3 is an enlarged broken bottom plan view thereof, the top plan view being a mirror image thereof; and,

FIG. 4 is an enlarged broken left elevational view thereof, the right elevational view being a mirror image thereof.

In the drawings, the broken lines in FIG. 1 represent contours of a building and do not form part of the claimed design.

1 Claim, 2 Drawing Sheets



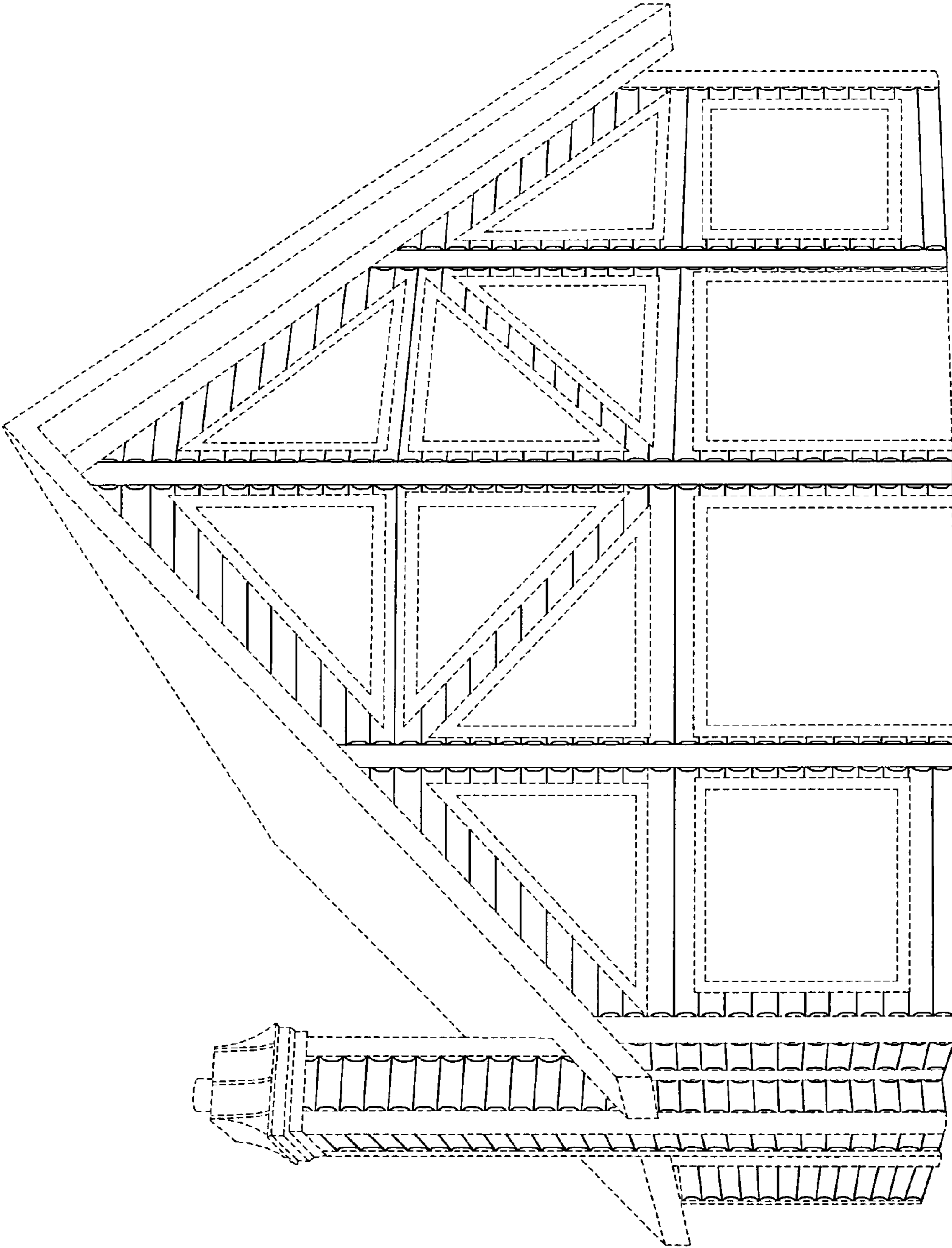


FIG.1

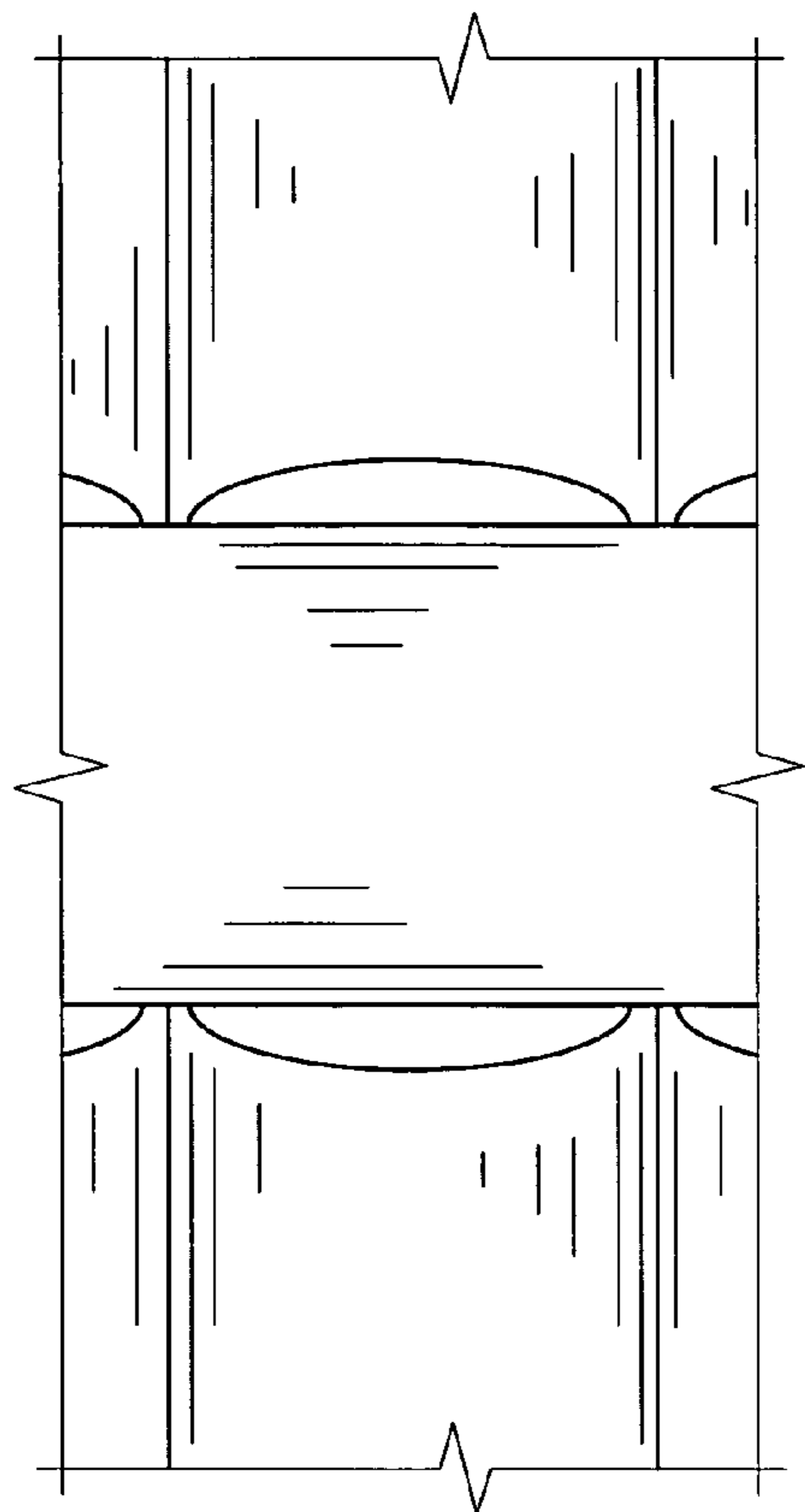


FIG. 2

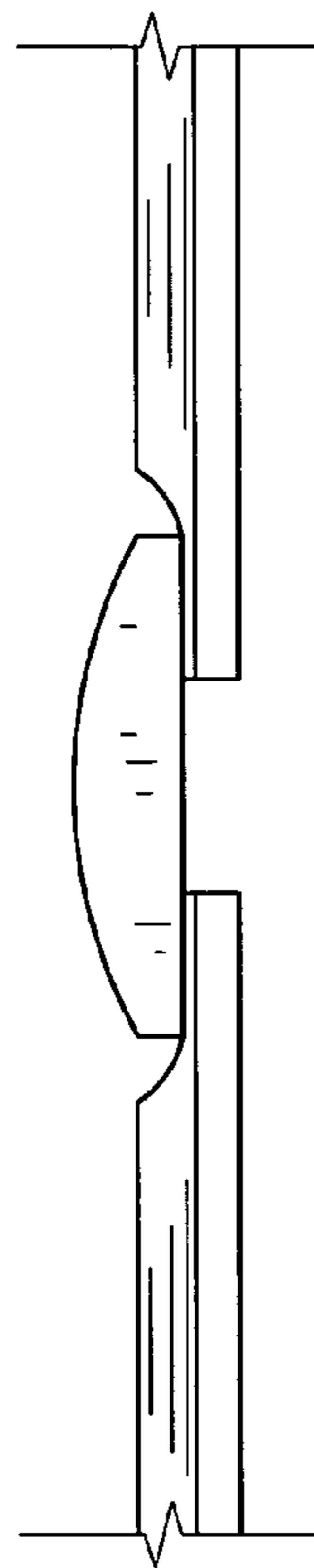


FIG. 3

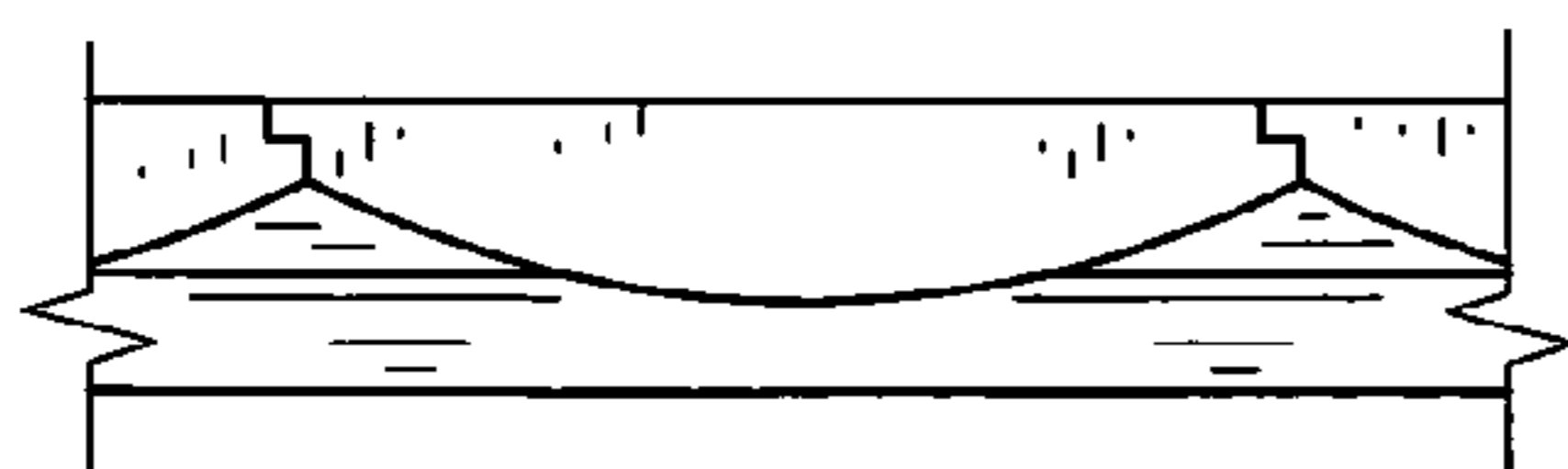


FIG. 4