



US00D635277S

(12) **United States Design Patent**
Gosling et al.

(10) **Patent No.:** **US D635,277 S**

(45) **Date of Patent:** **** Mar. 29, 2011**

(54) **TANGENTIAL NON-DIMENSIONAL
INTERFACE MODULE**

(75) Inventors: **Geoff Gosling**, Calgary (CA); **Mogens
F. Smed**, DeWinton (CA)

(73) Assignee: **DIRTT Environmental Solutions, Ltd.**,
Calgary (CA)

(**) Term: **14 Years**

(21) Appl. No.: **29/378,538**

(22) Filed: **Nov. 5, 2010**

Related U.S. Application Data

(63) Continuation of application No. 12/717,810, filed on
Mar. 4, 2010.

(51) **LOC (9) Cl.** **25-01**

(52) **U.S. Cl.** **D25/122**

(58) **Field of Classification Search** 52/241,
52/242, 236.9, 282.1, 282.5, 461, 238.1,
52/243; D25/122, 58

See application file for complete search history.

(56) **References Cited**

U.S. PATENT DOCUMENTS

5,481,839 A * 1/1996 Lang et al. 52/235
D378,424 S * 3/1997 Leonelli D25/122
6,493,995 B2 * 12/2002 McKenzie 52/36.4

6,748,710 B2 * 6/2004 Gresham et al. 52/242
6,941,716 B2 * 9/2005 Kottman 52/489.1
7,150,127 B2 * 12/2006 Underwood et al. 52/36.1
7,174,691 B2 * 2/2007 de Garay Arellano 52/716.1
D596,319 S * 7/2009 Koehn D25/122
D598,139 S * 8/2009 Bergmann D25/122

* cited by examiner

Primary Examiner — Doris Clark

(74) *Attorney, Agent, or Firm* — Workman Nydegger

(57) **CLAIM**

The ornamental design for a tangential non-dimensional
interface module, as shown and described.

DESCRIPTION

FIG. 1 is a perspective view of a tangential non-dimensional
interface module as used in a wall divider assembly;

FIG. 2 is an exploded perspective view thereof;

FIG. 3 is a close-up perspective view of the tangential non-
dimensional interface module of FIG. 1 in isolation;

FIG. 4 is a front elevational view thereof;

FIG. 5 is a left elevational view thereof;

FIG. 6 is a right elevational view thereof;

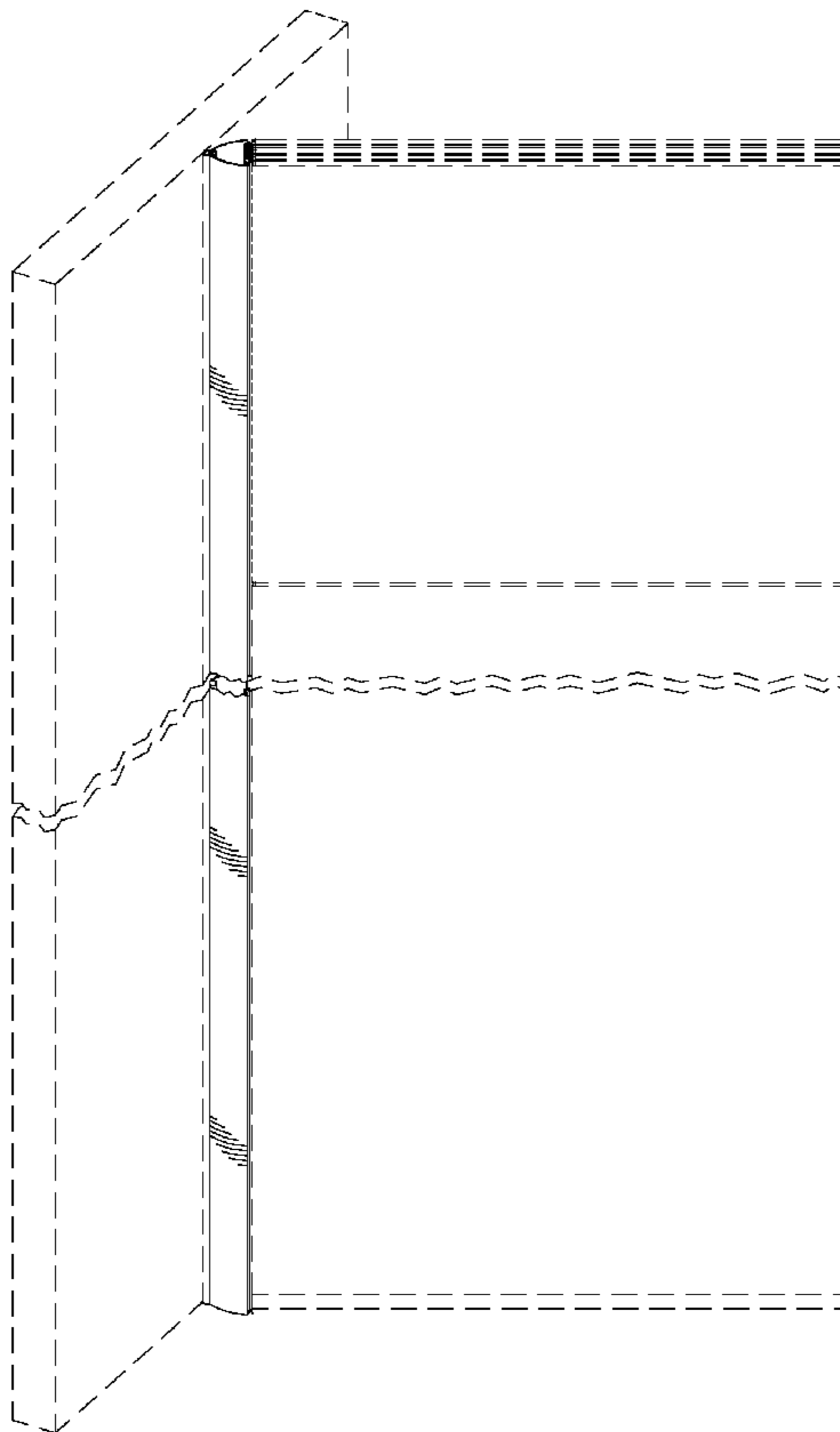
FIG. 7 is a top plan view thereof;

FIG. 8 is a bottom plan view thereof; and,

FIG. 9 is a rear elevational view thereof.

The dotted lines represent environmental matter for illustra-
tive purposes only, and form no part of the claimed design.

1 Claim, 4 Drawing Sheets



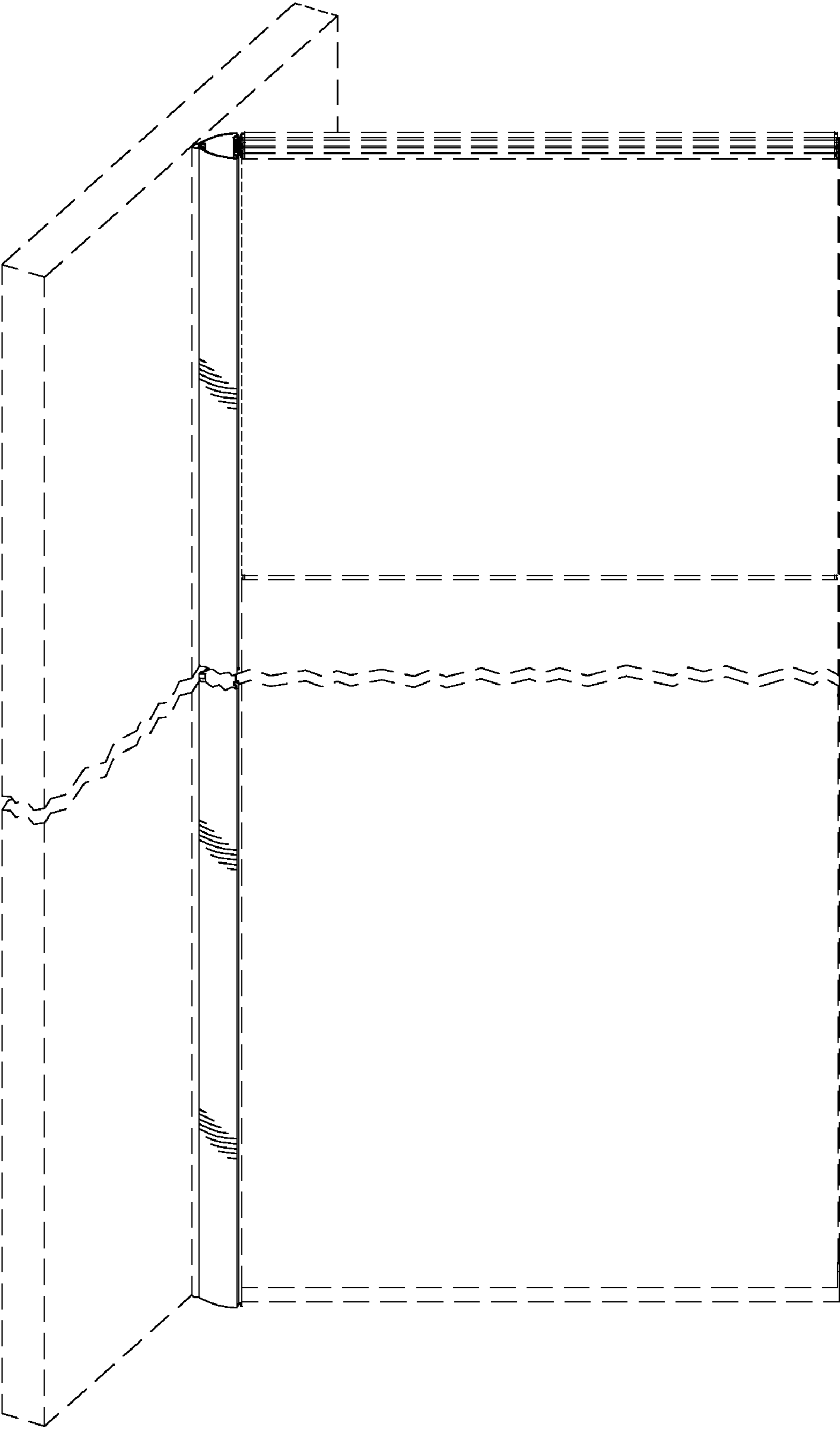


Fig. 1

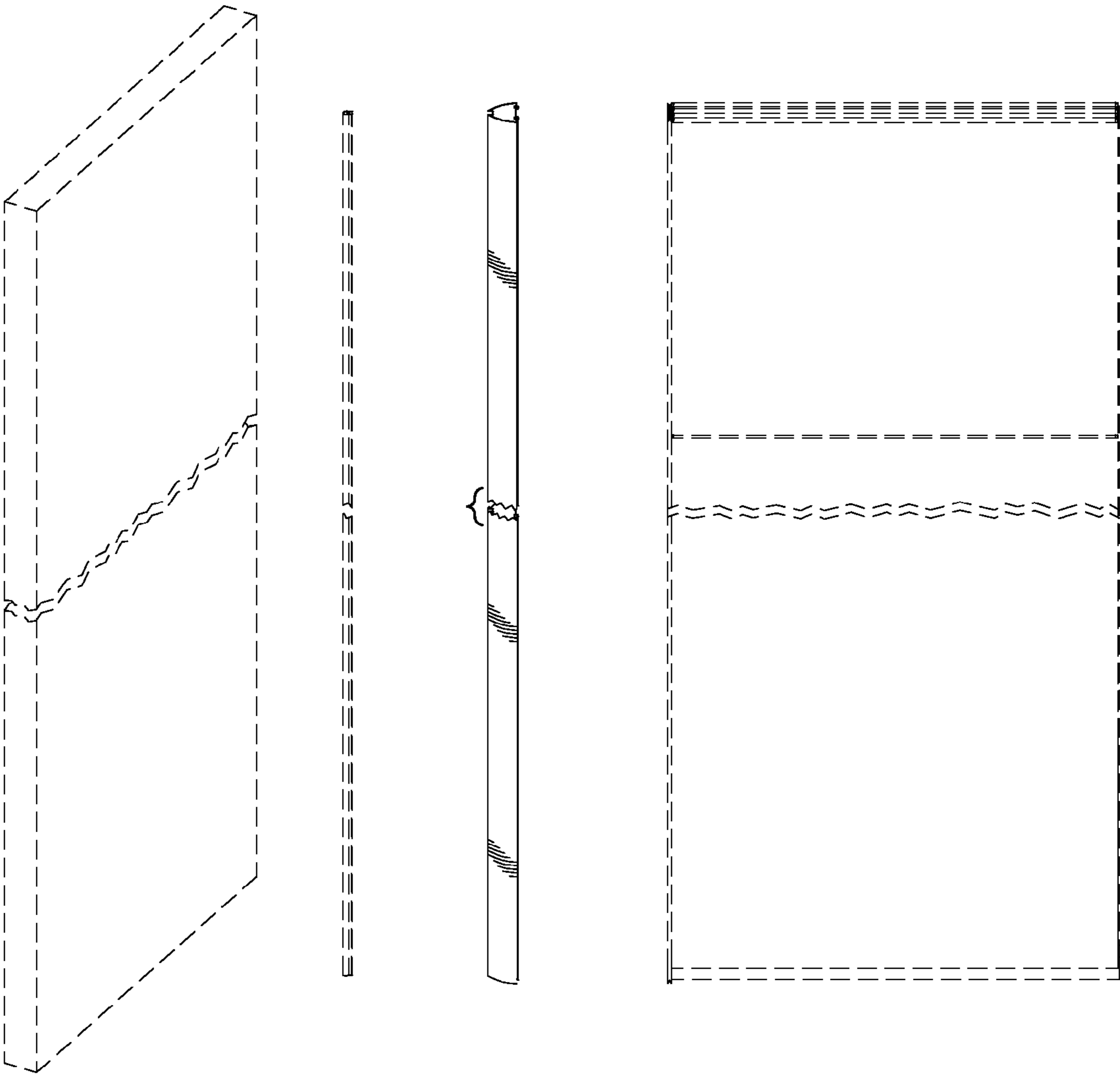


Fig. 2

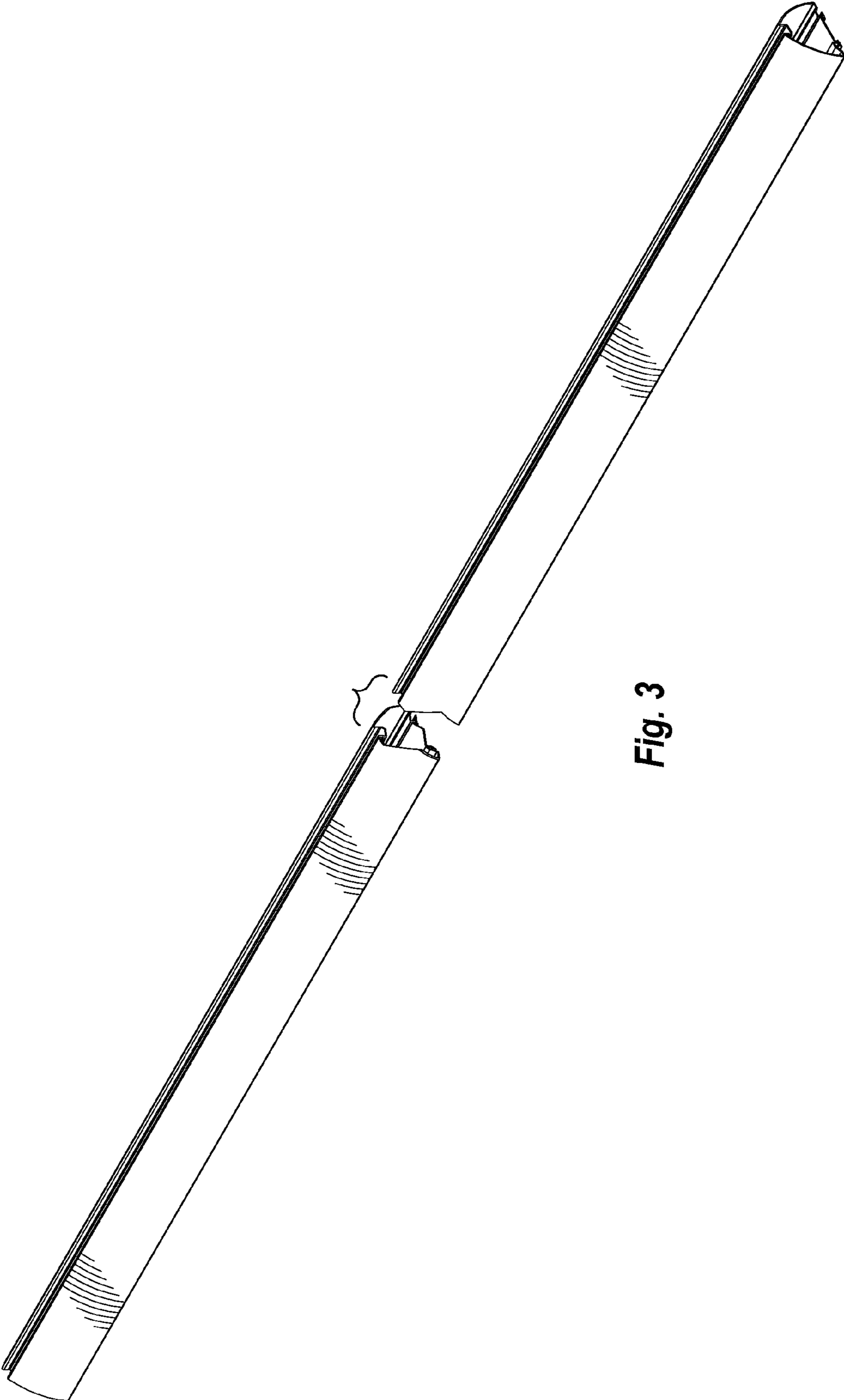


Fig. 3



Fig. 7

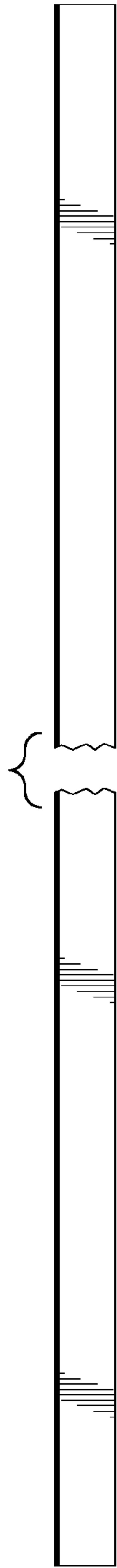


Fig. 6

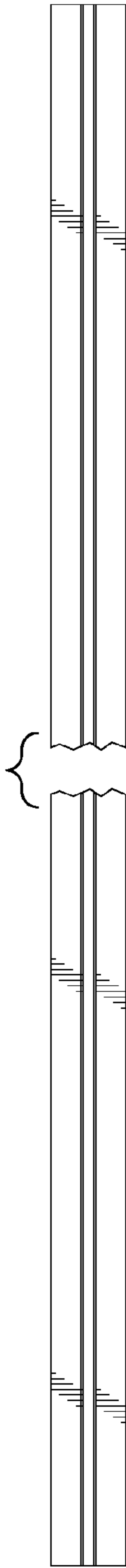


Fig. 4

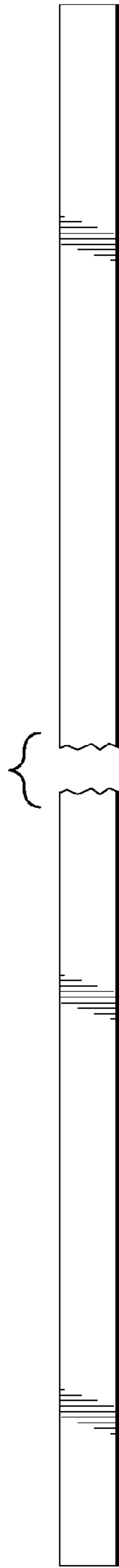


Fig. 5

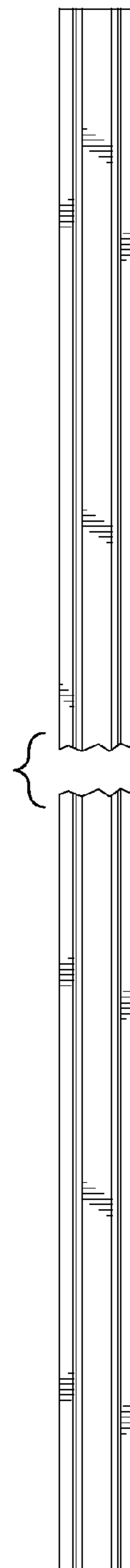


Fig. 9



Fig. 8