



US00D635274S

(12) **United States Design Patent**
Malvoisin et al.

(10) **Patent No.:** **US D635,274 S**
(45) **Date of Patent:** **** Mar. 29, 2011**

- (54) **PIPETTE HAND PORTION WITH ADAPTOR**
- (75) Inventors: **Hervé Malvoisin**, Paris (FR); **Sanjay Ramsamy**, Sarcelles (FR)
- (73) Assignee: **Gilson SAS**, Villiers le Bel (FR)
- (**) Term: **14 Years**
- (21) Appl. No.: **29/355,344**
- (22) Filed: **Feb. 5, 2010**
- (51) **LOC (9) Cl.** **24-02**
- (52) **U.S. Cl.** **D24/222**
- (58) **Field of Classification Search** D24/216,
D24/222-226, 231, 232, 169; D10/81; 422/100;
73/864.01, 864.11, 864.13, 864.14, 864.16
See application file for complete search history.

Final Office Action issued in U.S. Appl. No. 29/339,713 and mailed on May 12, 2010.
Final Office Action issued in U.S. Appl. No. 29/339,714 and mailed on May 12, 2010.
Examiner's Report issued in Canadian Design Patent Application No. 136469 and dated Aug. 25, 2010.
Examiner's Report issued in Canadian Design Patent Application No. 136480 and dated Aug. 23, 2010.
Non-final Office Action issued in U.S. Appl. 29/355,335 and mailed on Aug. 17, 2010.
Notice of Allowance issued in U.S. Design Appl. No. 29/355,340 and mailed Nov. 12, 2010.
Notice of Allowance issued in U.S. Design Appl. No. 29/355,335 and mailed Dec. 1, 2010.

* cited by examiner

Primary Examiner — T. Chase Nelson
Assistant Examiner — Anhdao Doan
(74) *Attorney, Agent, or Firm* — Foley & Lardner LLP

(56) **References Cited**

U.S. PATENT DOCUMENTS

D252,823	S	*	9/1979	Withers et al.	D24/222
4,444,062	A		4/1984	Bennett et al.		
D279,710	S		7/1985	Yonkers et al.		
4,779,467	A		10/1988	Rainin et al.		
D325,974	S		5/1992	Kalmakis et al.		
D373,828	S		9/1996	Malinoff et al.		
D375,798	S	*	11/1996	Boothby	D24/222
5,983,733	A		11/1999	Strandberg et al.		
D419,685	S	*	1/2000	Jacquet et al.	D24/222
6,019,004	A		2/2000	Conley et al.		
D426,643	S	*	6/2000	Rainin et al.	D24/222
6,199,435	B1	*	3/2001	Wilmer et al.	73/864.14
6,660,519	B2		12/2003	Hamilton		
6,968,749	B2		11/2005	Chen et al.		
D584,828	S	*	1/2009	Rylski	D24/222
D591,865	S	*	5/2009	Hintikka	D24/222
D592,314	S	*	5/2009	Guo	D24/222
2009/0117009	A1		5/2009	Cote		

OTHER PUBLICATIONS

Non-Final Office Action for U.S. Appl. No. 29/339,713 mailed Jan. 15, 2010.
Non-Final Office Action for U.S. Appl. No. 29,339,714 mailed Jan. 15, 2010.

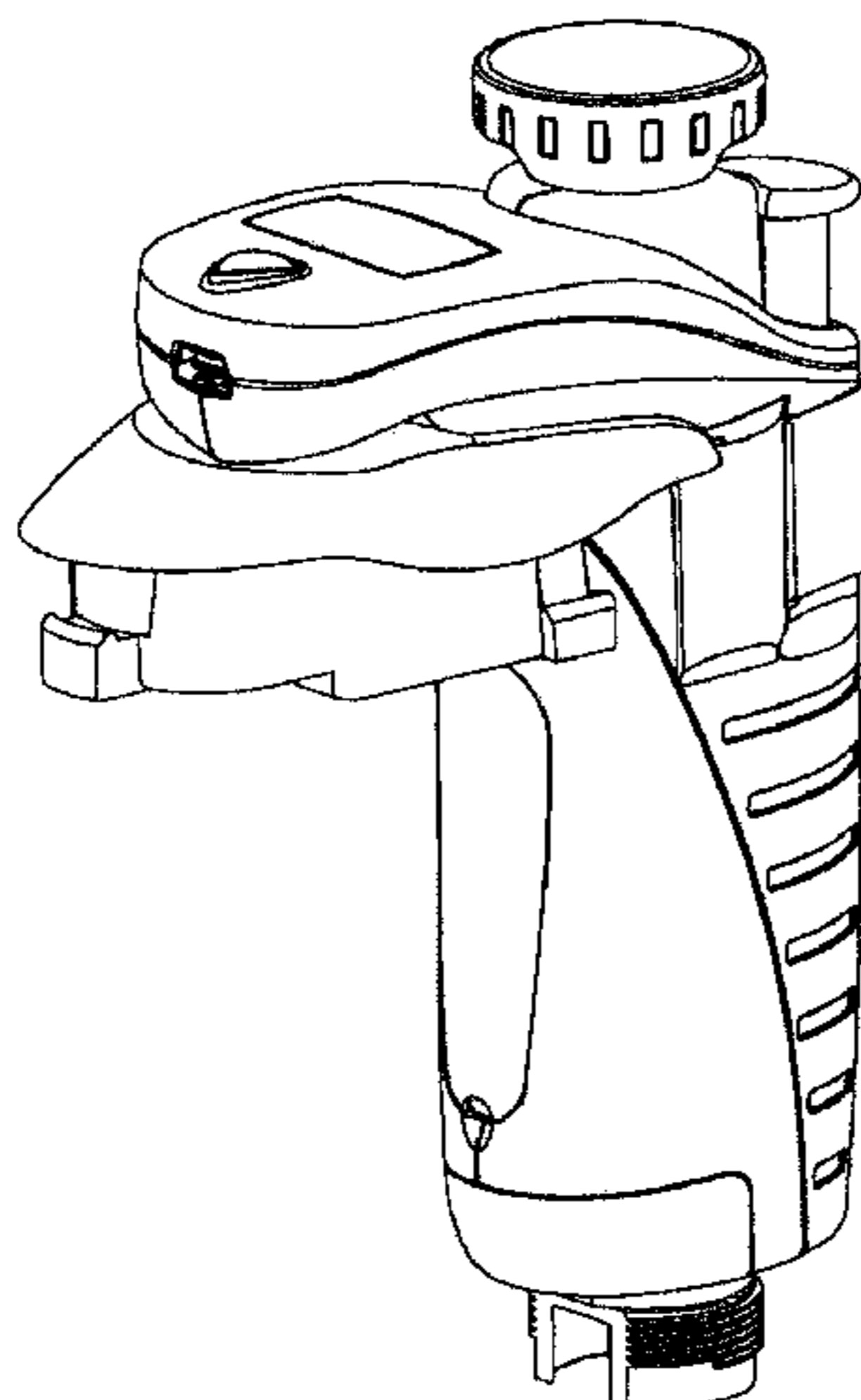
(57) **CLAIM**

We claim the ornamental design for a pipette hand portion with adaptor, as shown and described.

DESCRIPTION

FIG. 1 is a top perspective view of a pipette hand portion with adaptor showing our new design;
FIG. 2 is a top view thereof;
FIG. 3 is a bottom view thereof;
FIG. 4 is a front view thereof;
FIG. 5 is a rear view thereof;
FIG. 6 is a right side view thereof;
FIG. 7 is a left side view thereof; and,
FIG. 8 is a top perspective view thereof shown in its environment.
The broken lines in FIG. 3 are included for the purpose of illustrating portions of the pipette hand portion with adaptor that form no part of the claimed design. The broken lines in FIG. 8 represent the environment. None of the broken lines form a part of the claimed design.

1 Claim, 8 Drawing Sheets



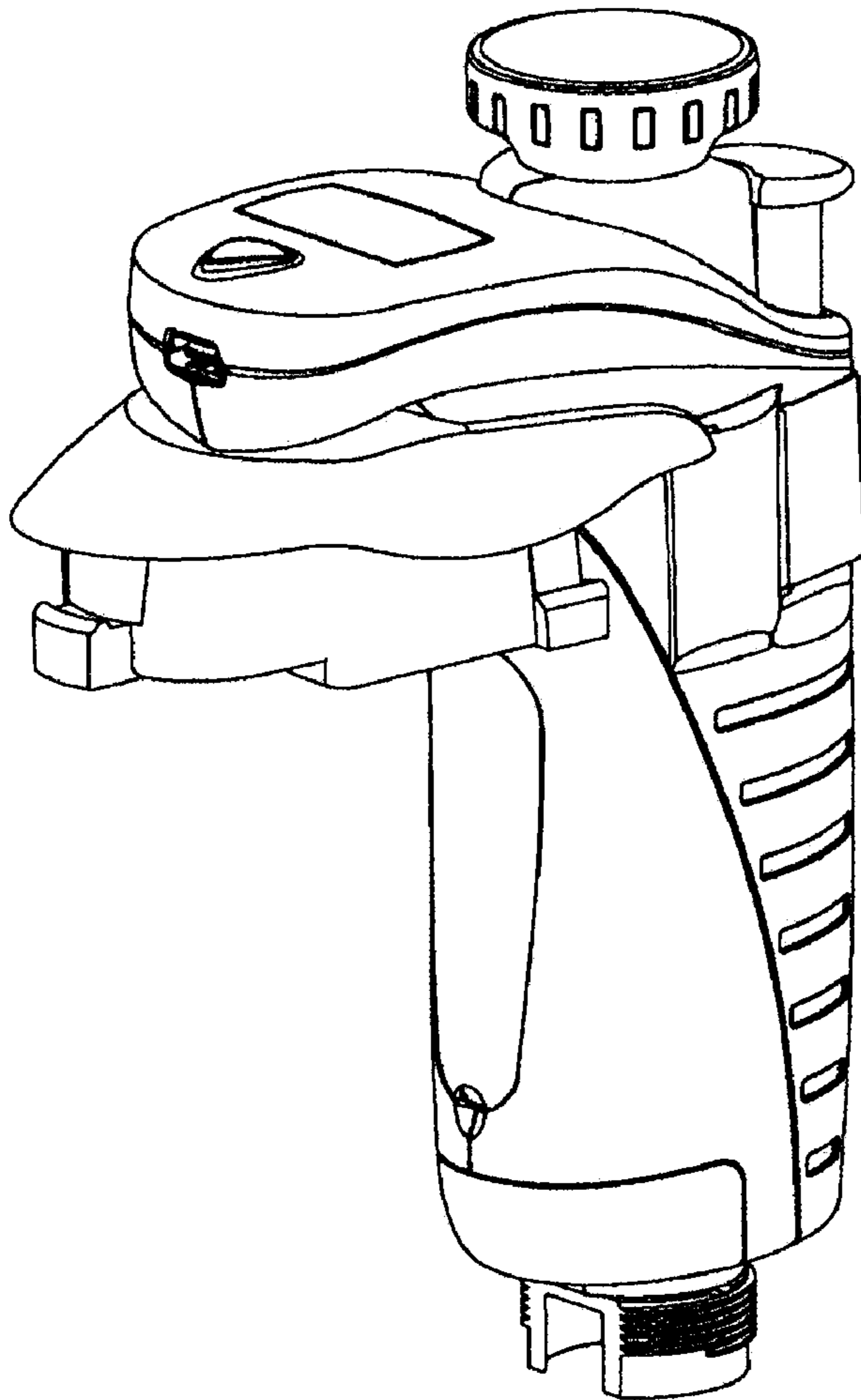


FIG. 1

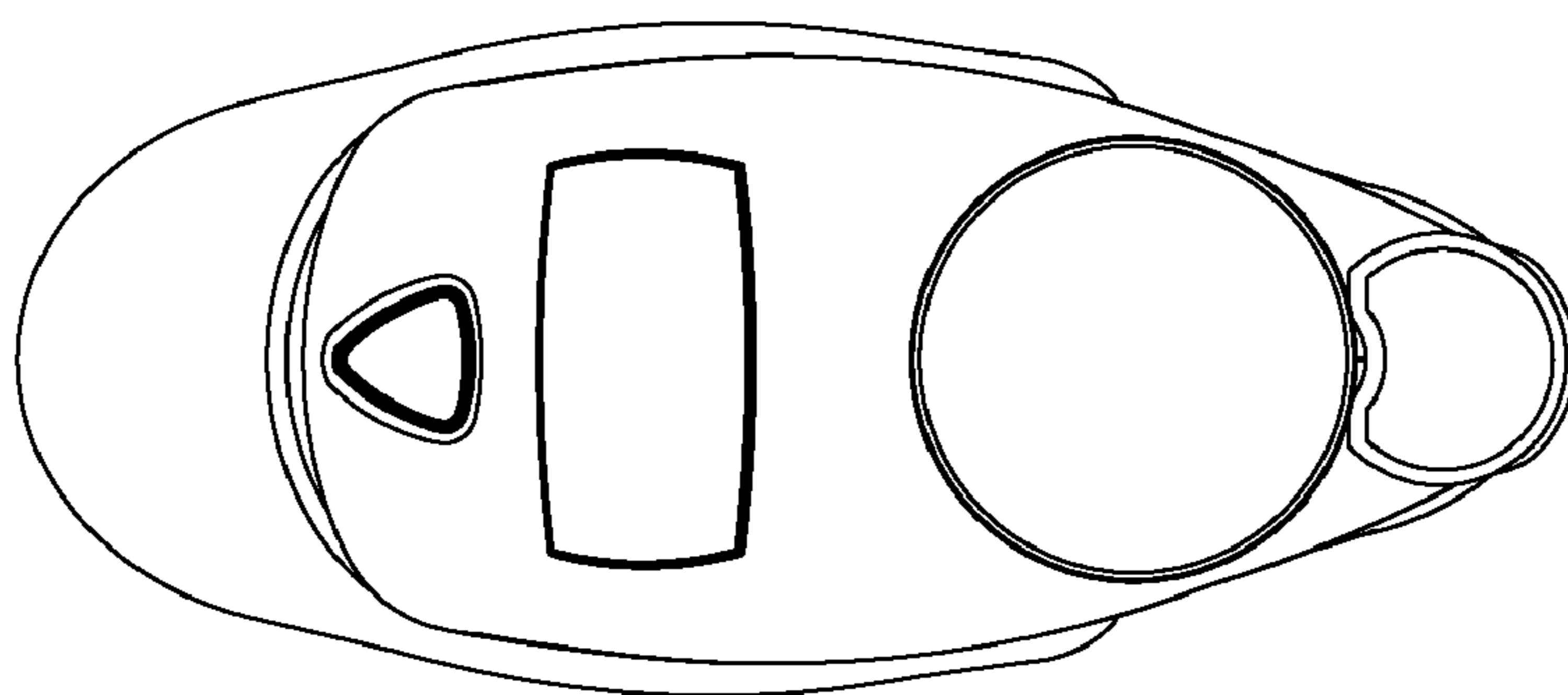


FIG. 2

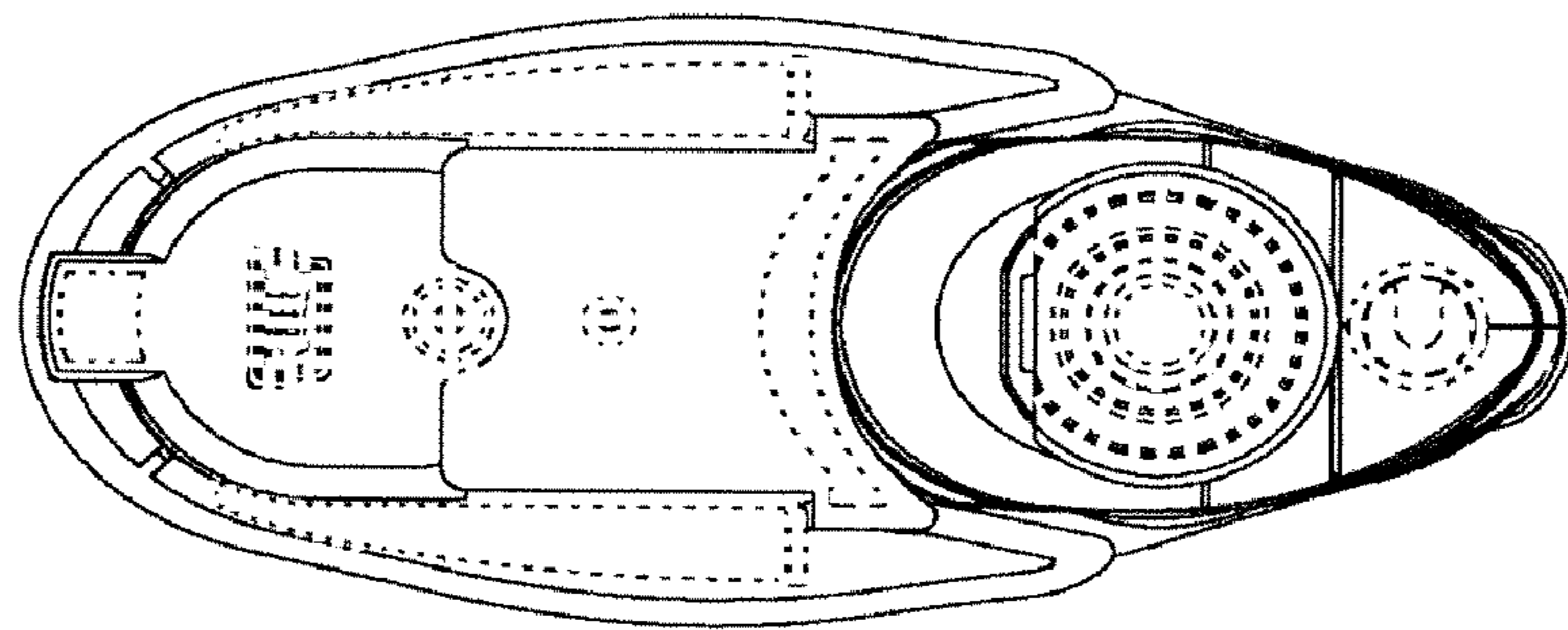


FIG. 3

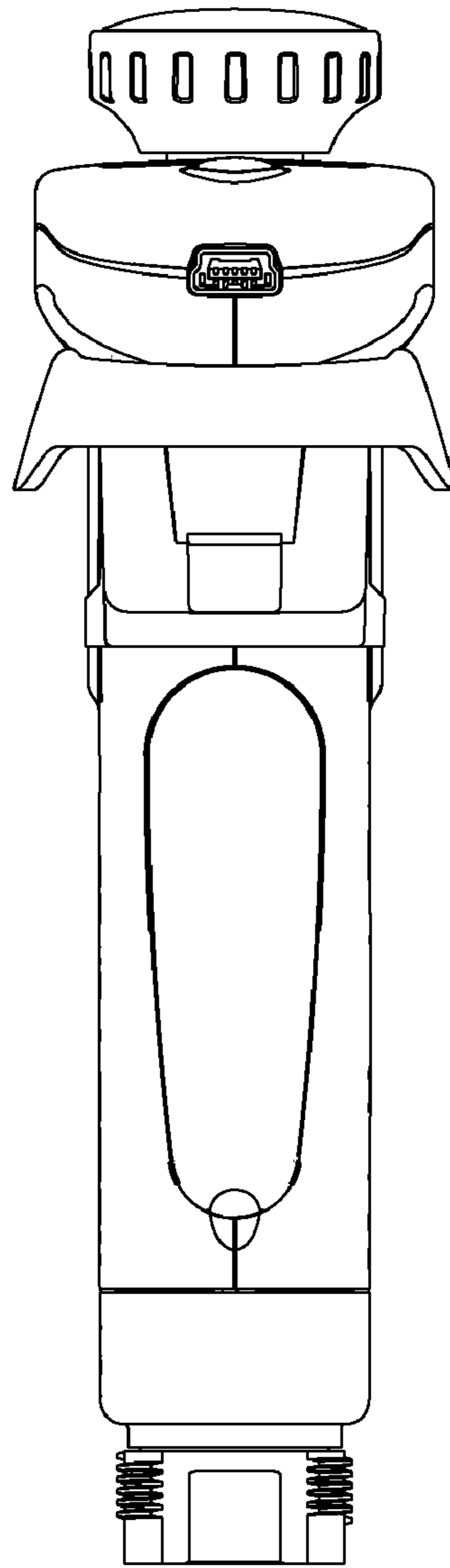


FIG. 4

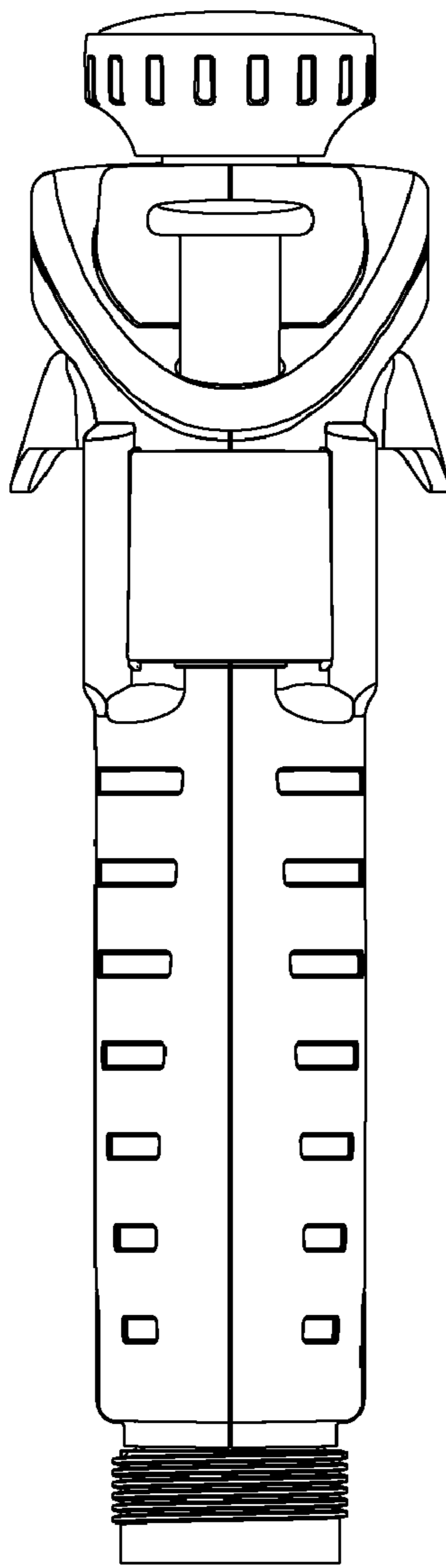


FIG. 5

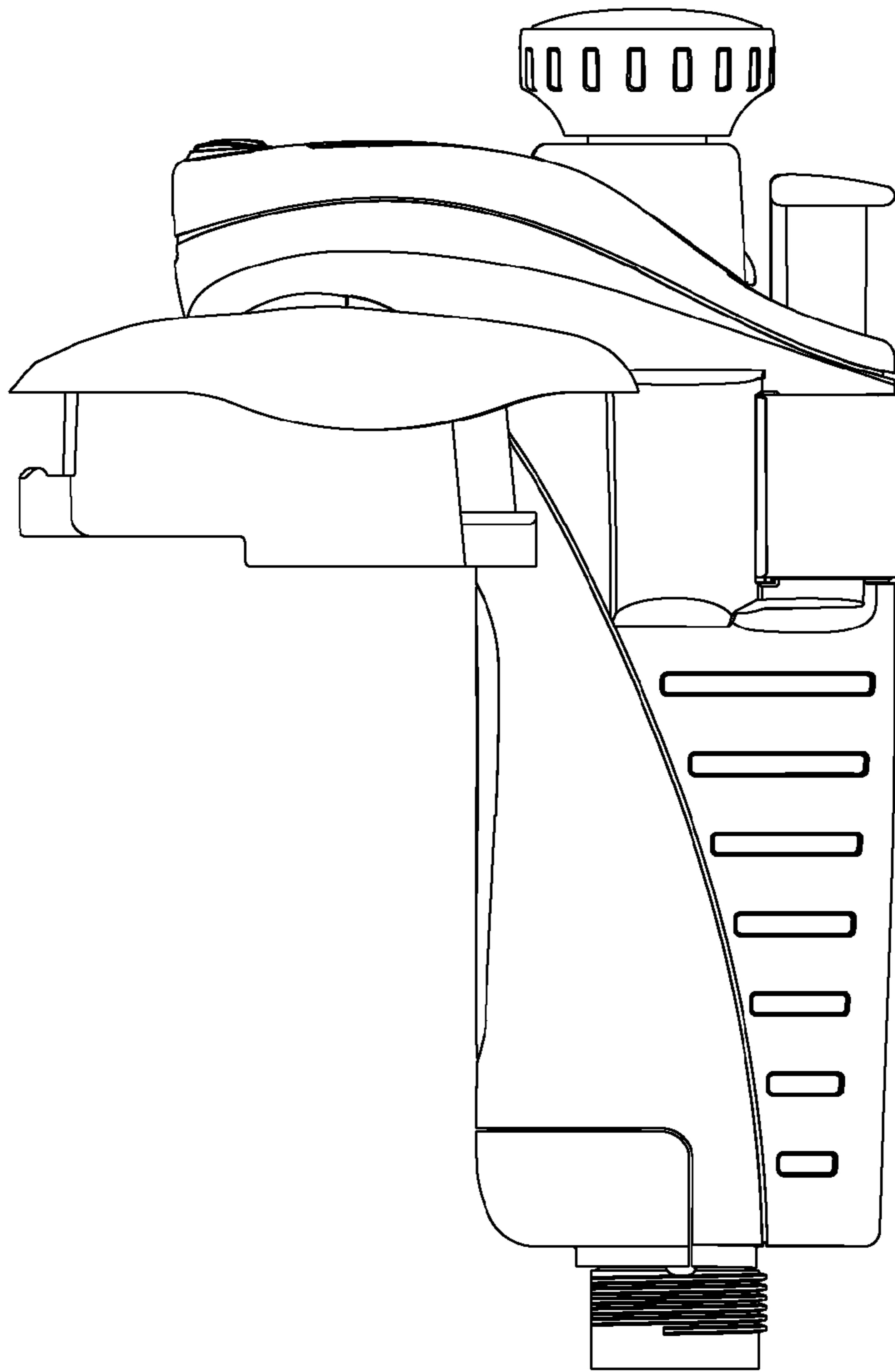


FIG. 6

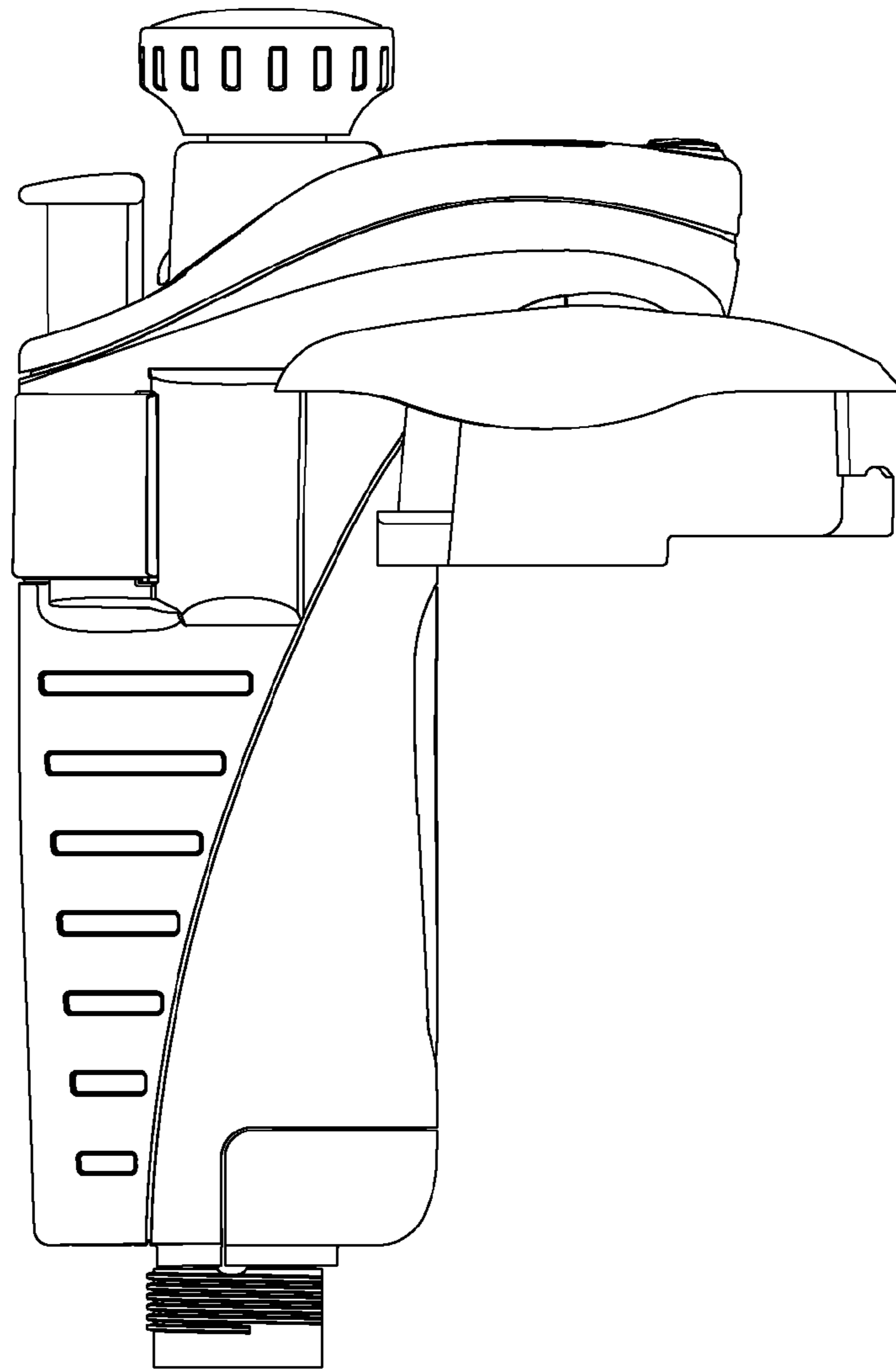


FIG. 7

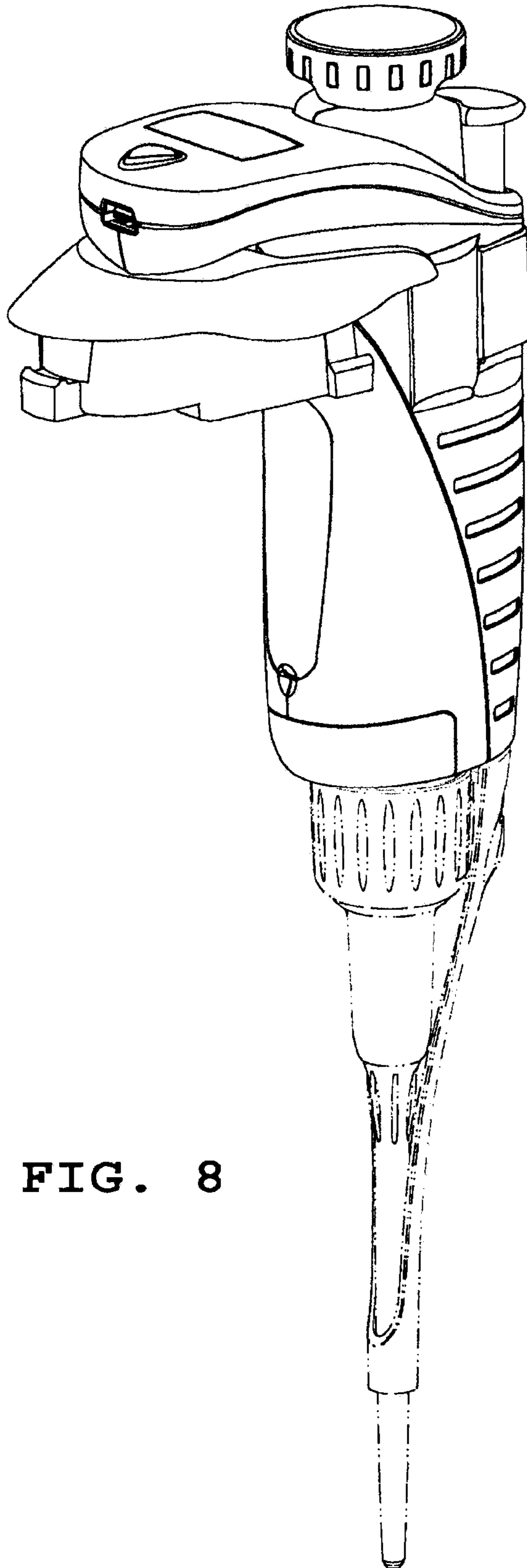


FIG. 8