



US00D635269S

(12) **United States Design Patent**
Franke et al.

(10) **Patent No.:** **US D635,269 S**

(45) **Date of Patent:** **** *Mar. 29, 2011**

(54) **WEIGHT-BEARING LOWER EXTREMITY BRACE**

(75) Inventors: **Hans G. Franke**, Incline Village, NV (US); **David Salinger**, Olympic Valley, CA (US); **Jeff Dodd**, Truckee, CA (US)

(73) Assignee: **Toad Corporation**, Incline Village, NV (US)

(*) Notice: This patent is subject to a terminal disclaimer.

(**) Term: **14 Years**

(21) Appl. No.: **29/340,273**

(22) Filed: **Jul. 15, 2009**

(51) **LOC (9) Cl.** **24-01**

(52) **U.S. Cl.** **D24/192; D24/190**

(58) **Field of Classification Search** D24/188-192;
602/5-7, 16, 22, 23, 27-29, 64-65; 128/882;
135/68, 69, 72, 74

See application file for complete search history.

(56) **References Cited**

U.S. PATENT DOCUMENTS

2,827,897	A *	3/1958	Pawlowski	602/16
3,272,210	A *	9/1966	Boruvka	135/69
D344,589	S *	2/1994	Kilbey	D24/192
5,300,016	A *	4/1994	Marlatt	602/16
D373,194	S *	8/1996	Grifka	D24/192
5,593,383	A *	1/1997	DeToro	602/27
5,817,041	A *	10/1998	Bader	602/23
6,428,495	B1 *	8/2002	Lynott	602/23
6,793,638	B1 *	9/2004	DeToro et al.	602/23
6,997,891	B1 *	2/2006	Vecsey	602/23
7,462,160	B2 *	12/2008	Nobbe et al.	602/27
2006/0149181	A1 *	7/2006	Guenther	602/23
2010/0030123	A1 *	2/2010	Detoro et al.	602/28

* cited by examiner

Primary Examiner — Philip S Hyder

Assistant Examiner — Susan E Krakower

(74) *Attorney, Agent, or Firm* — King & Spalding L.L.P.

(57) **CLAIM**

The ornamental design for a weight-bearing lower extremity brace, as shown and described.

DESCRIPTION

This application is related to U.S. application Ser. No. 12/502, 893 filed Jul. 14, 2009 which is a continuation-in-part of U.S. application Ser. No. 12/404,104 filed Mar. 13, 2009, which is a continuation-in-part of U.S. application Ser. No. 12/324, 185 filed Nov. 26, 2008. This application is also related to International PCT Application No. PCT/US09/37171 filed Mar. 13, 2009. The contents of each of the foregoing applications in their entirety are incorporated herein by reference. FIG. 1 illustrates a generally isometric view of a weight-bearing lower extremity brace, with the lower extremity shown;

FIG. 2 illustrates a generally isometric view of a weight-bearing lower extremity brace as shown in FIG. 1;

FIG. 3 illustrates an interior side view of a weight-bearing lower extremity brace as shown in FIG. 1;

FIG. 4 illustrates a front view of a weight-bearing lower extremity brace as shown in FIG. 1;

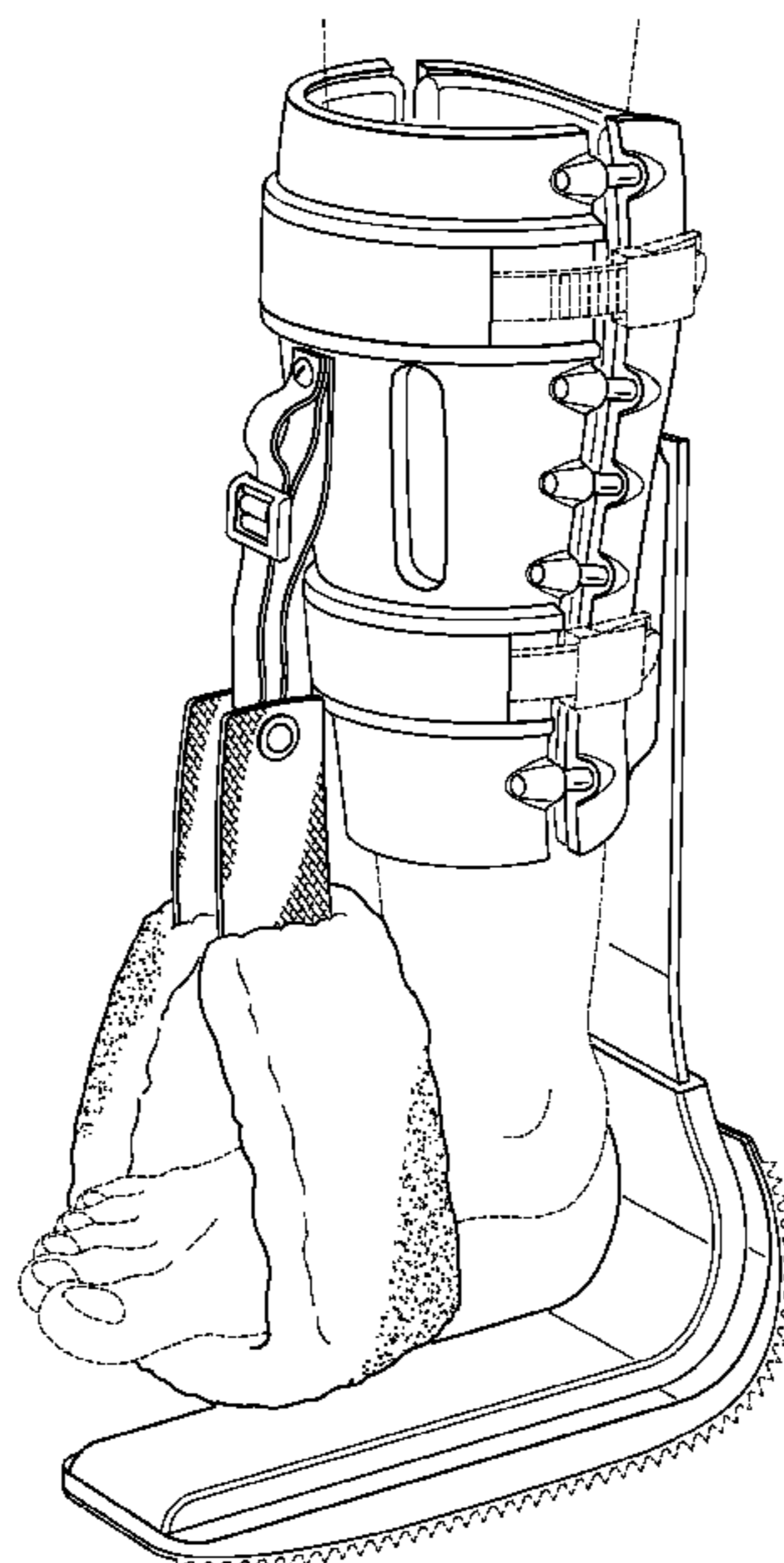
FIG. 5 illustrates an exterior side view of a weight-bearing lower extremity brace as shown in FIG. 1;

FIG. 6 illustrates a rear view of a weight-bearing lower extremity brace as shown in FIG. 1; and,

FIG. 7 illustrates a top view of a weight-bearing lower extremity brace as shown in FIG. 1.

The broken lines illustrate environmental structure and portions of the weight-bearing lower extremity brace which form no part of the claimed design.

1 Claim, 6 Drawing Sheets



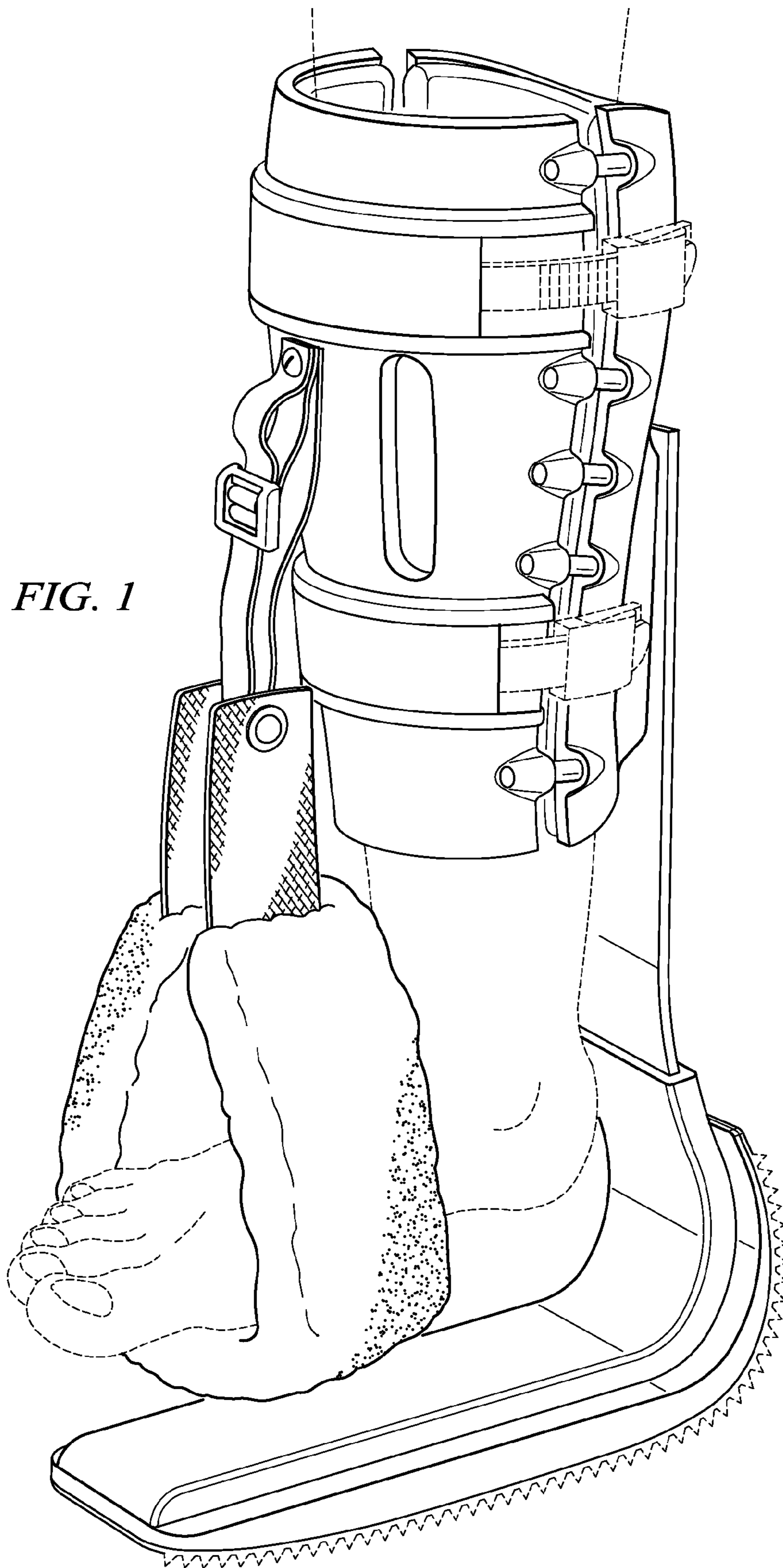
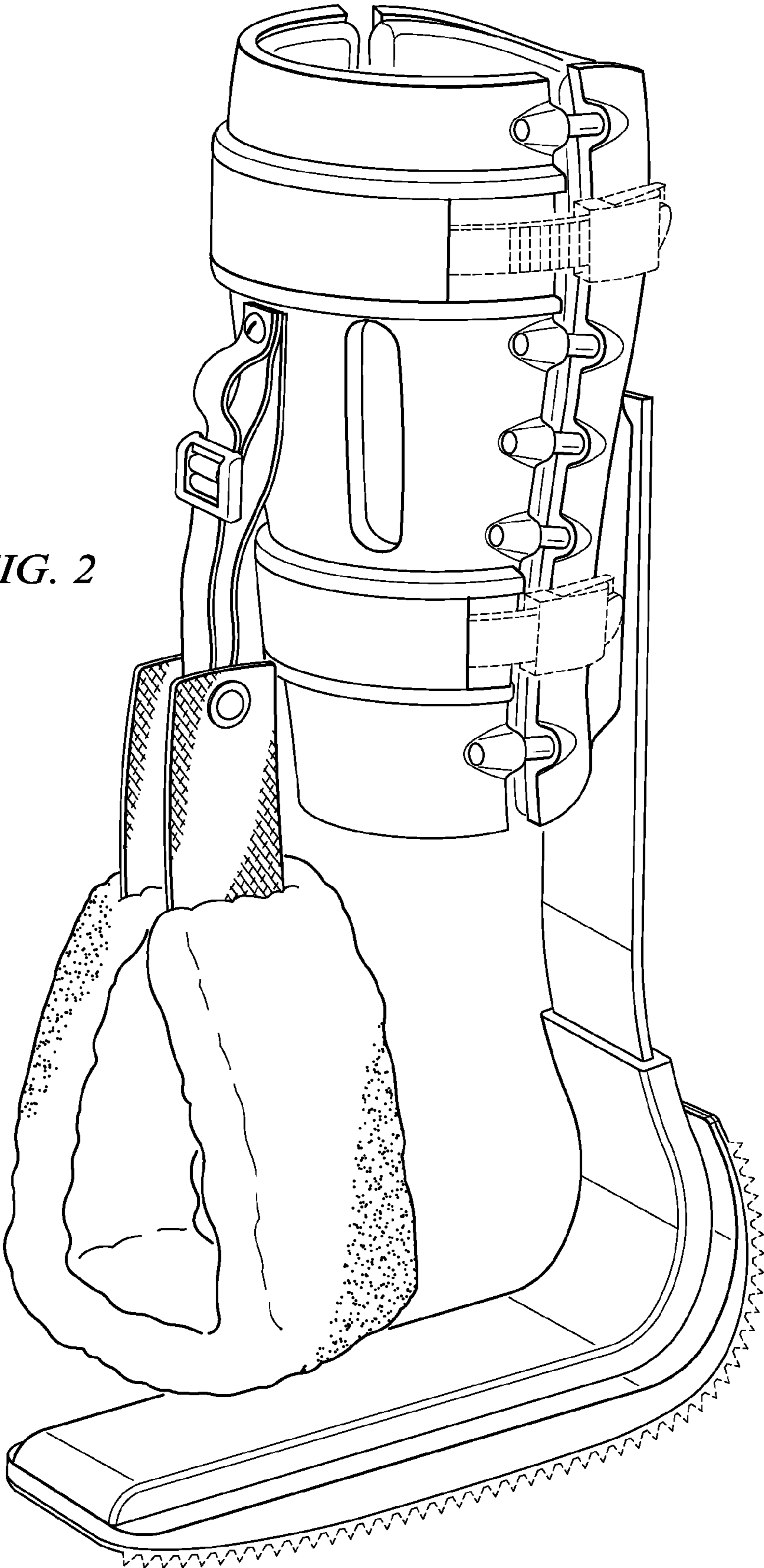


FIG. 1

FIG. 2



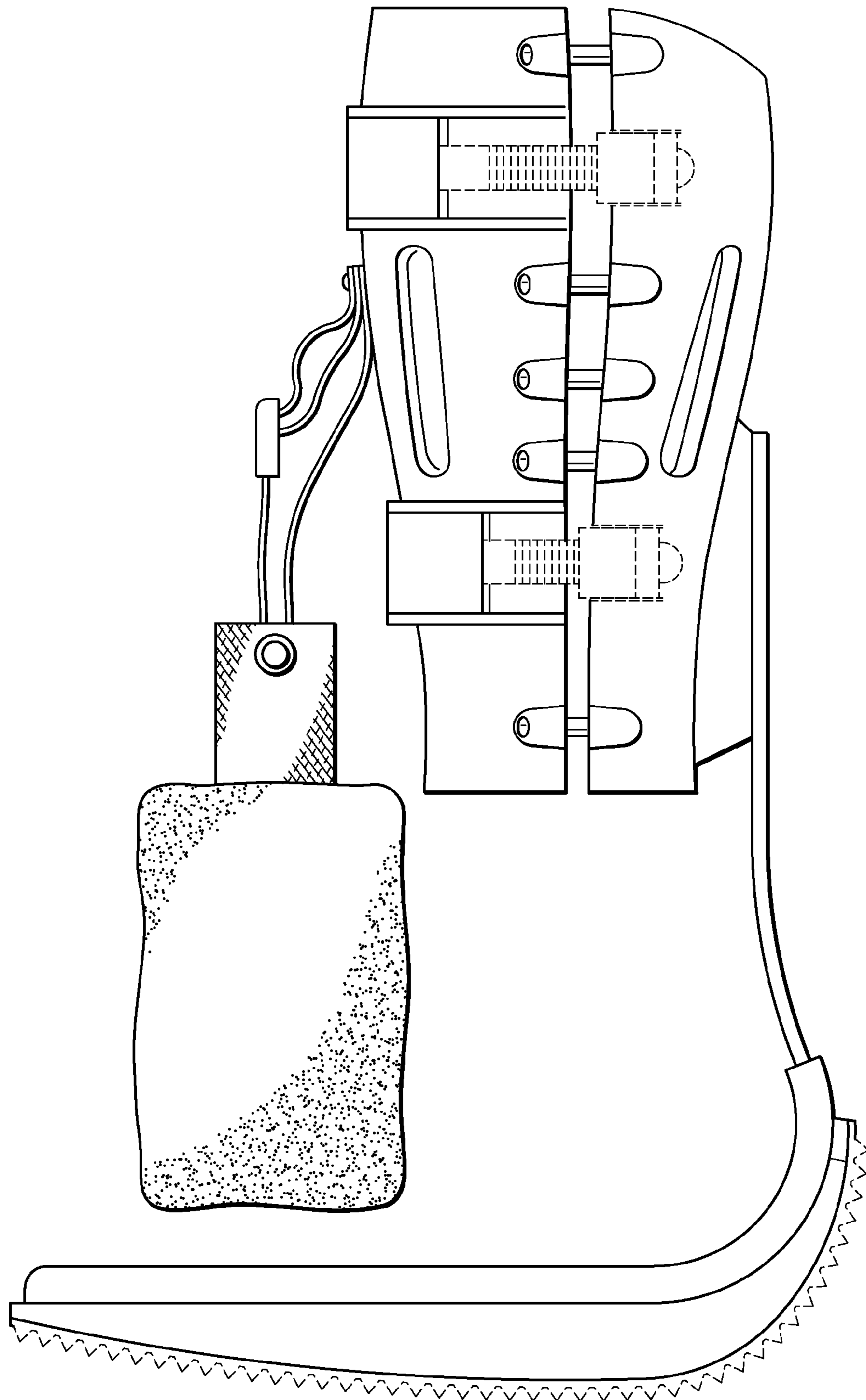


FIG. 3

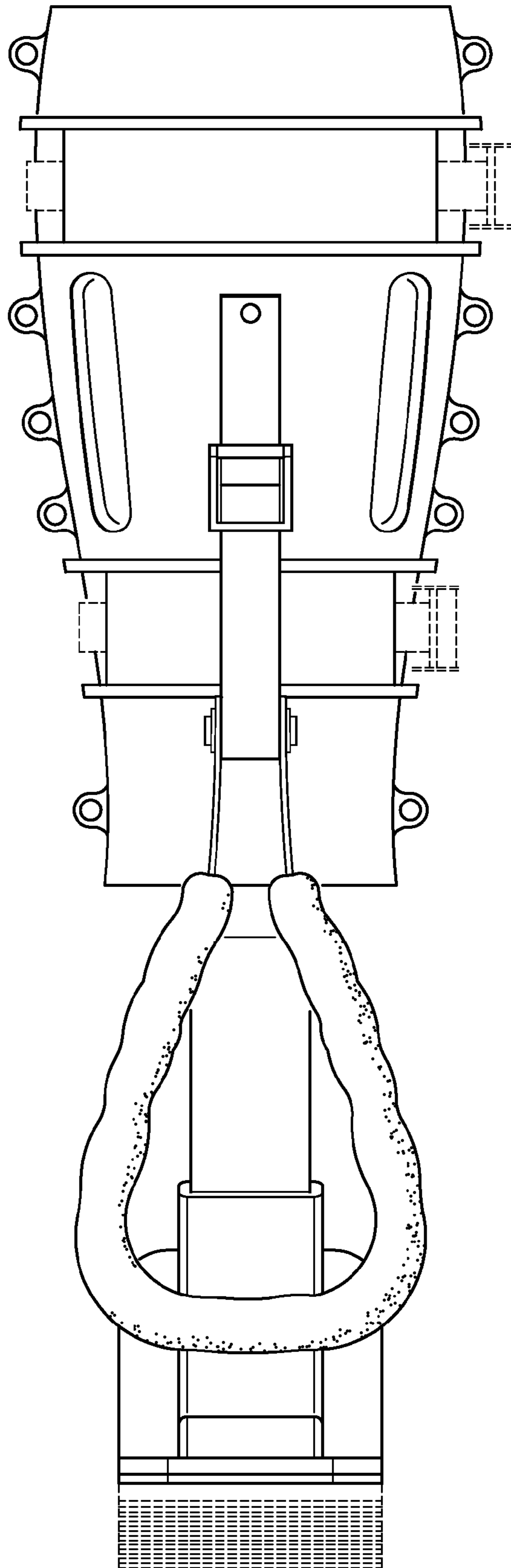


FIG. 4

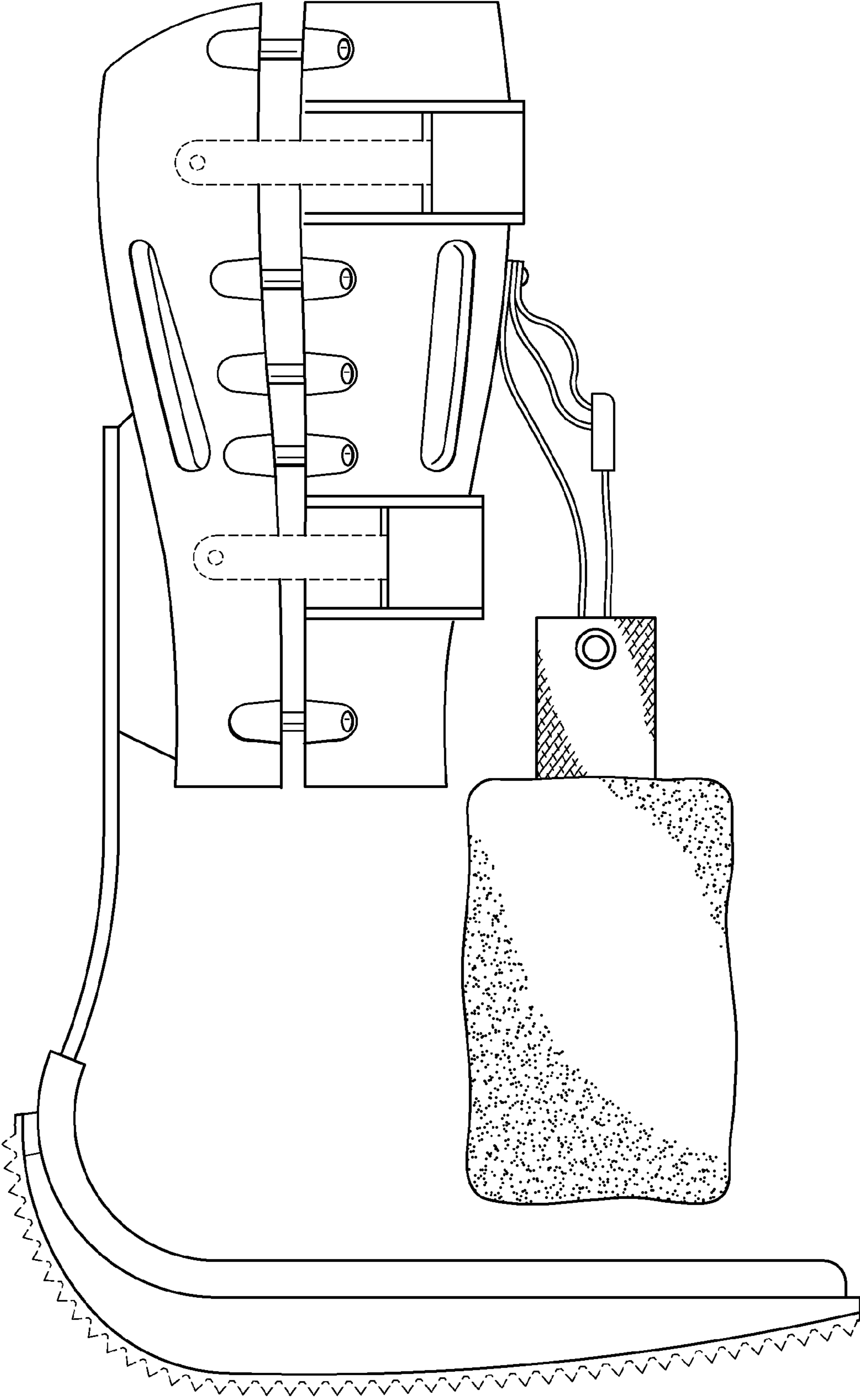


FIG. 5

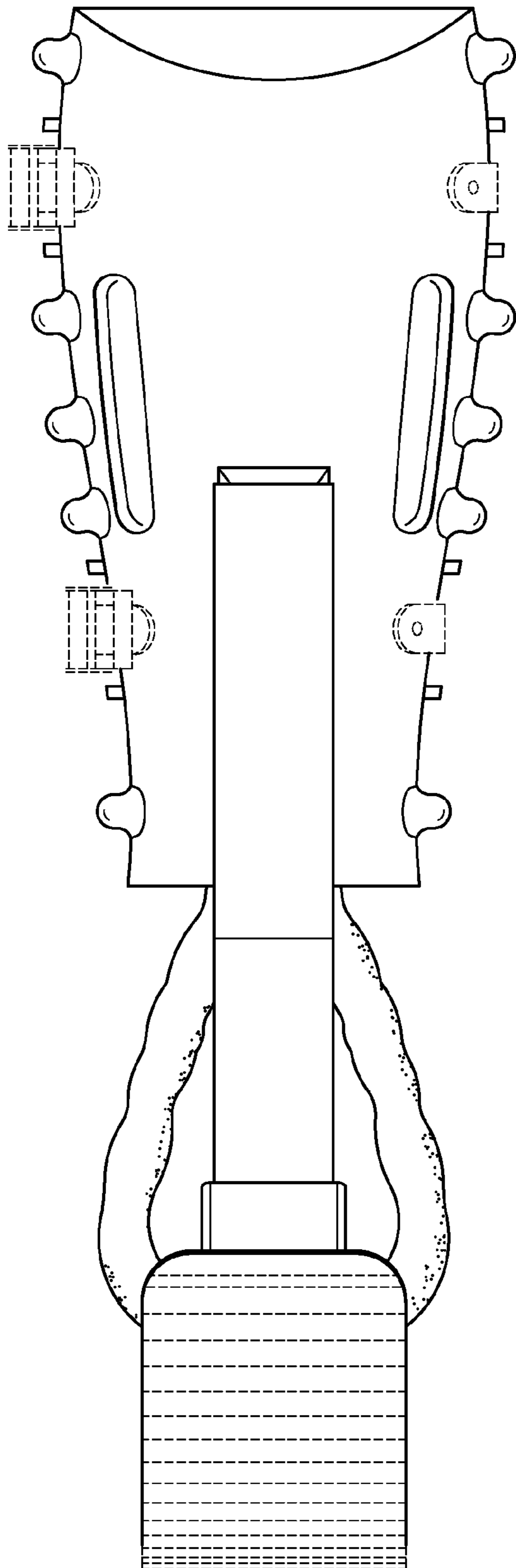


FIG. 6

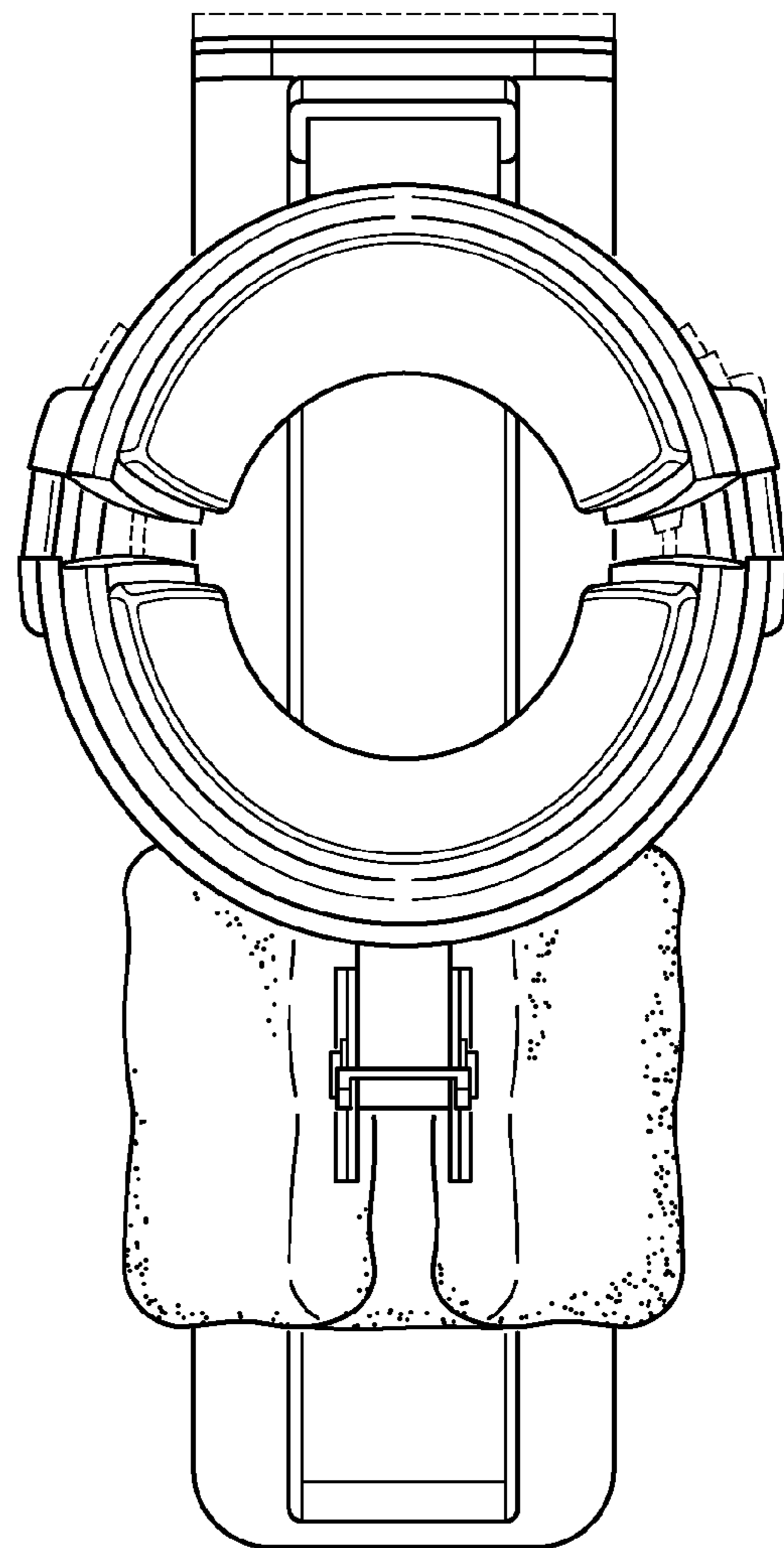


FIG. 7