



US00D635264S

(12) **United States Design Patent**
Dubs

(10) **Patent No.:** **US D635,264 S**

(45) **Date of Patent:** **** Mar. 29, 2011**

(54) **HEARING AID**

(75) Inventor: **Basil Dubs**, Zurich (CH)

(73) Assignee: **Phonak AG**, Stafa (CH)

(**) Term: **14 Years**

(21) Appl. No.: **29/352,697**

(22) Filed: **Dec. 23, 2009**

(30) **Foreign Application Priority Data**

Jun. 29, 2009 (WO) DM/072 002

(51) **LOC (9) Cl.** **24-99**

(52) **U.S. Cl.** **D24/174**

(58) **Field of Classification Search** D24/173-175,
D24/106; D14/205, 223, 224, 249; 381/23.1,
381/312, 322-324, 328-330, 334
See application file for complete search history.

(56) **References Cited**

U.S. PATENT DOCUMENTS

5,802,183 A * 9/1998 Scheller et al. 381/322
D546,455 S * 7/2007 Darbut et al. D24/174
D572,823 S * 7/2008 Niccolai et al. D24/174

D587,378 S * 2/2009 Powers et al. D24/174
D606,657 S * 12/2009 Schumaier et al. D24/174
D611,607 S * 3/2010 Mori et al. D24/174
2006/0171550 A1 * 8/2006 Bryant et al. 381/330
2009/0042426 A1 * 2/2009 Kramer 381/312

* cited by examiner

Primary Examiner — T. Chase Nelson

Assistant Examiner — Anhdao Doan

(74) *Attorney, Agent, or Firm* — Rankin, Hill & Clark LLP

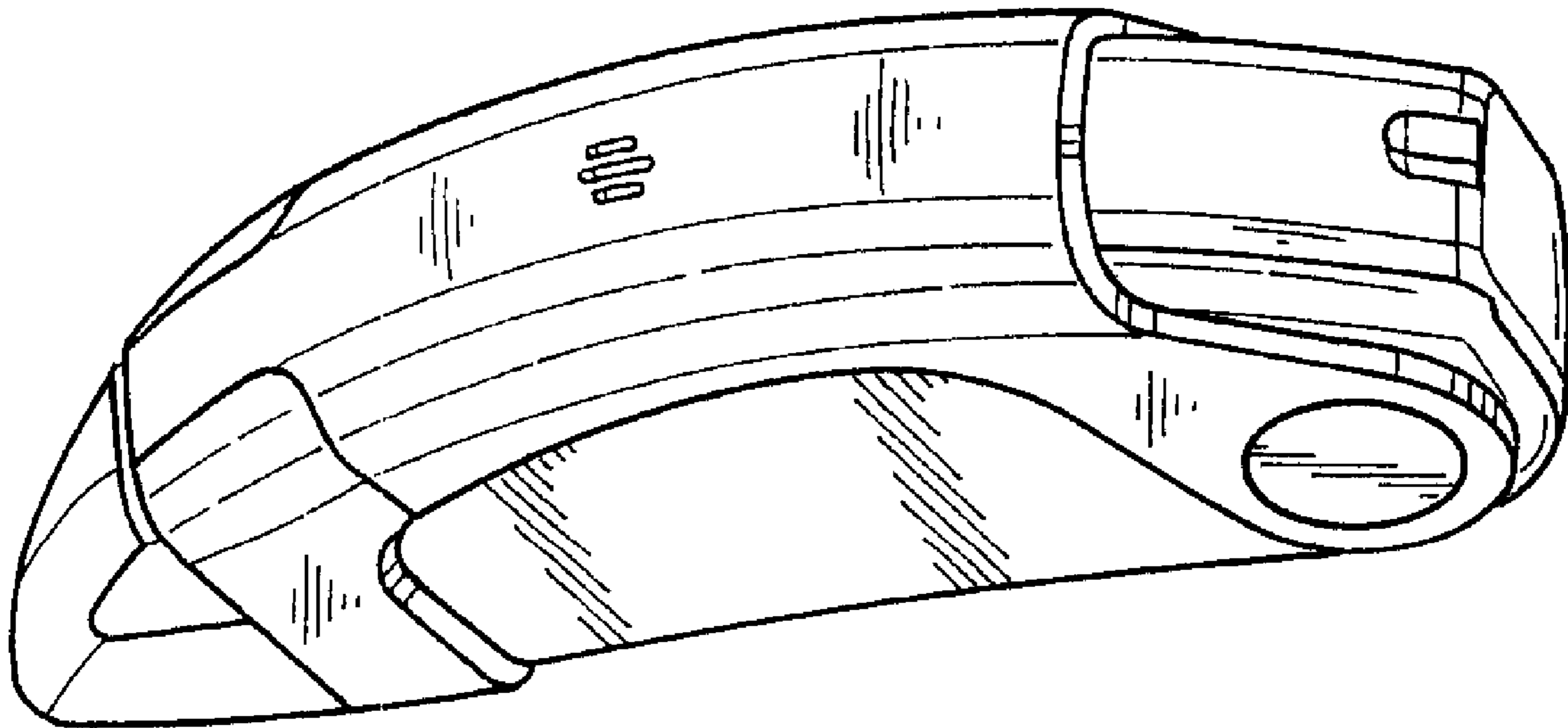
(57) **CLAIM**

I claim the ornamental design for a hearing aid, as shown and described.

DESCRIPTION

FIG. 1 is a front view of a hearing aid embodying our design; FIG. 2 is a rear view of the hearing aid shown in FIG. 1; FIG. 3 is a first perspective view of the hearing aid shown in FIG. 1; FIG. 4 is a second perspective view of the hearing aid shown in FIG. 1; FIG. 5 is a right side view of the hearing aid shown in FIG. 1; FIG. 6 is a bottom view of the hearing aid shown in FIG. 1; FIG. 7 is a top view of the hearing aid shown in FIG. 1; and, FIG. 8 is a left side view of the hearing aid shown in FIG. 1.

1 Claim, 2 Drawing Sheets



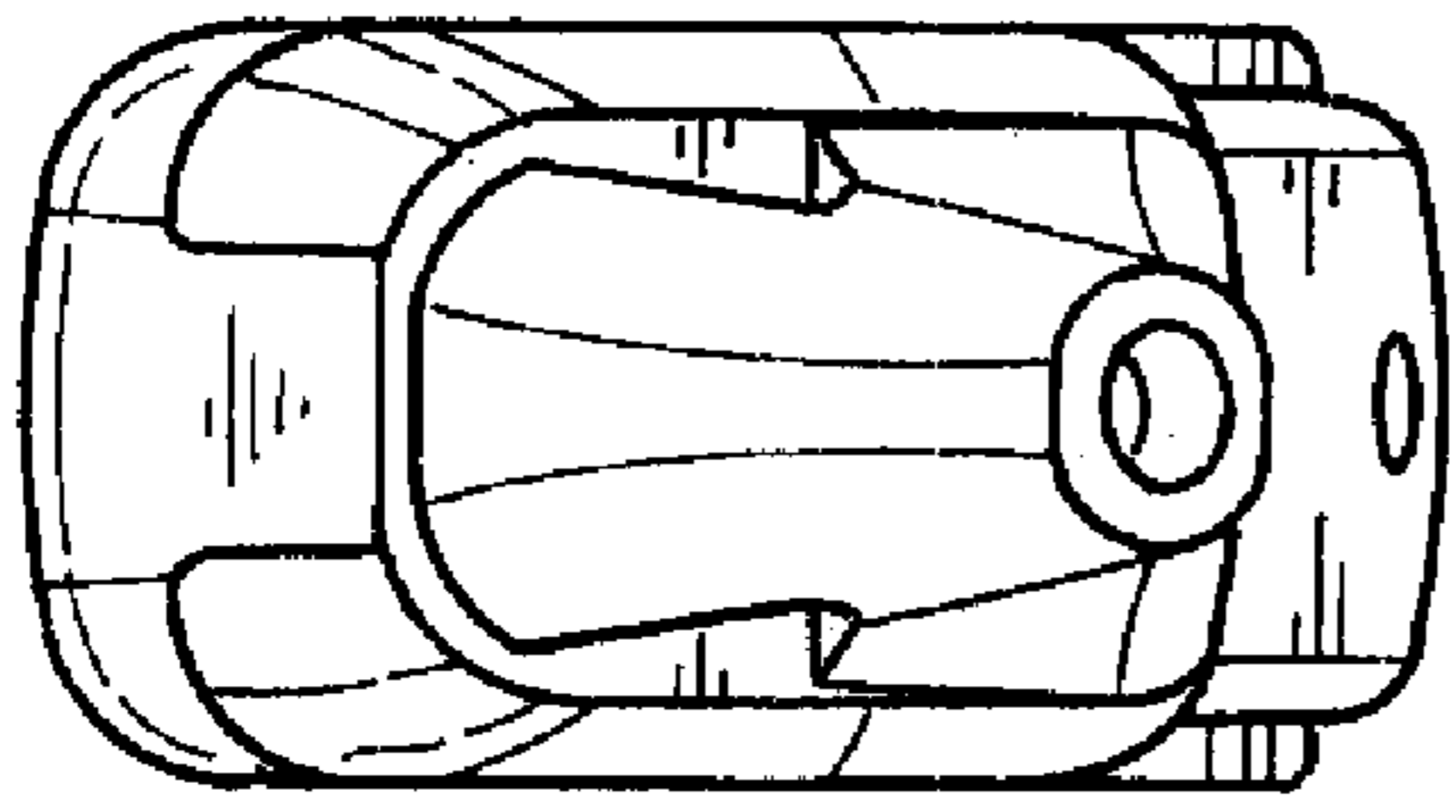


FIG. 1

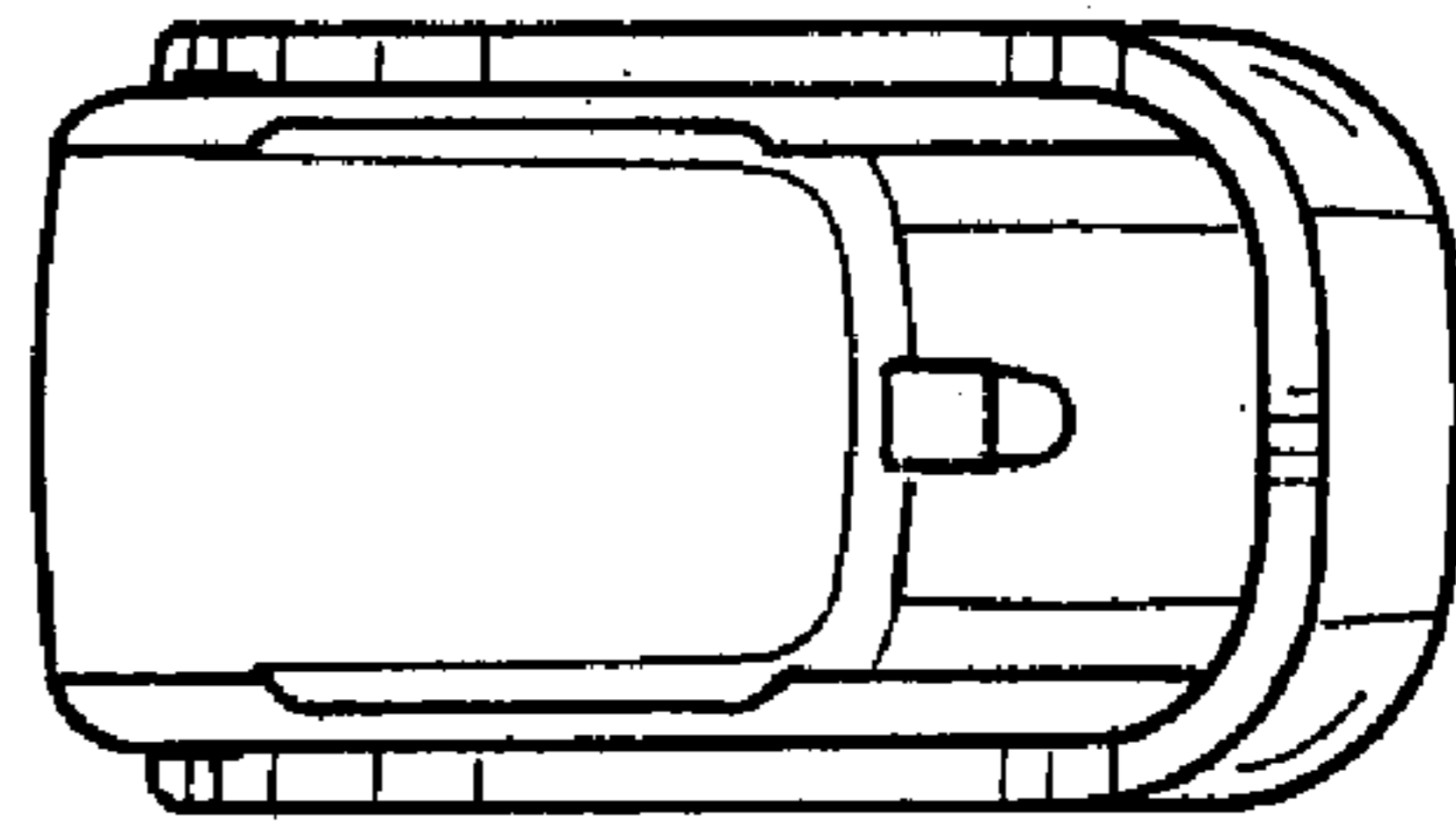


FIG. 2

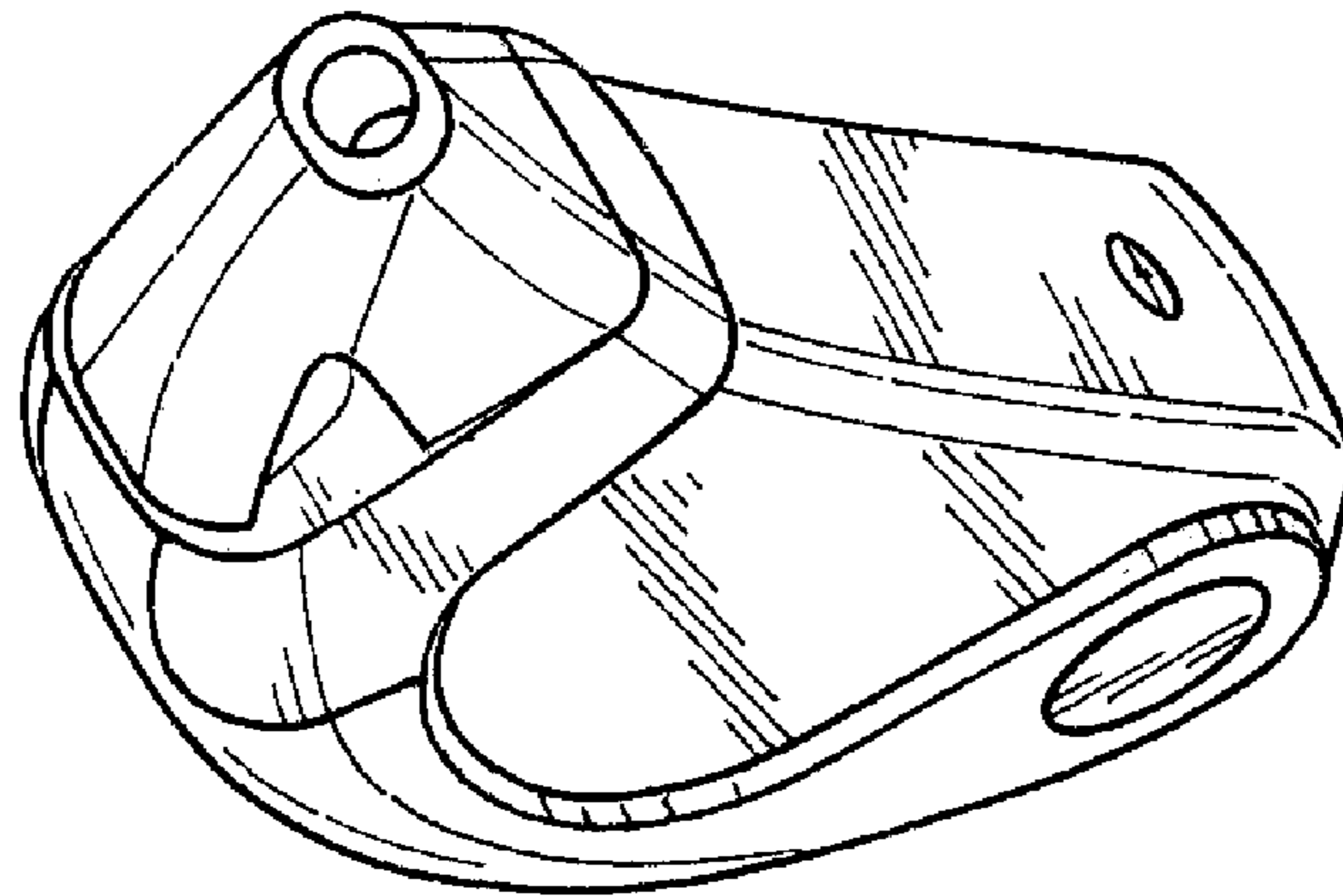


FIG. 3

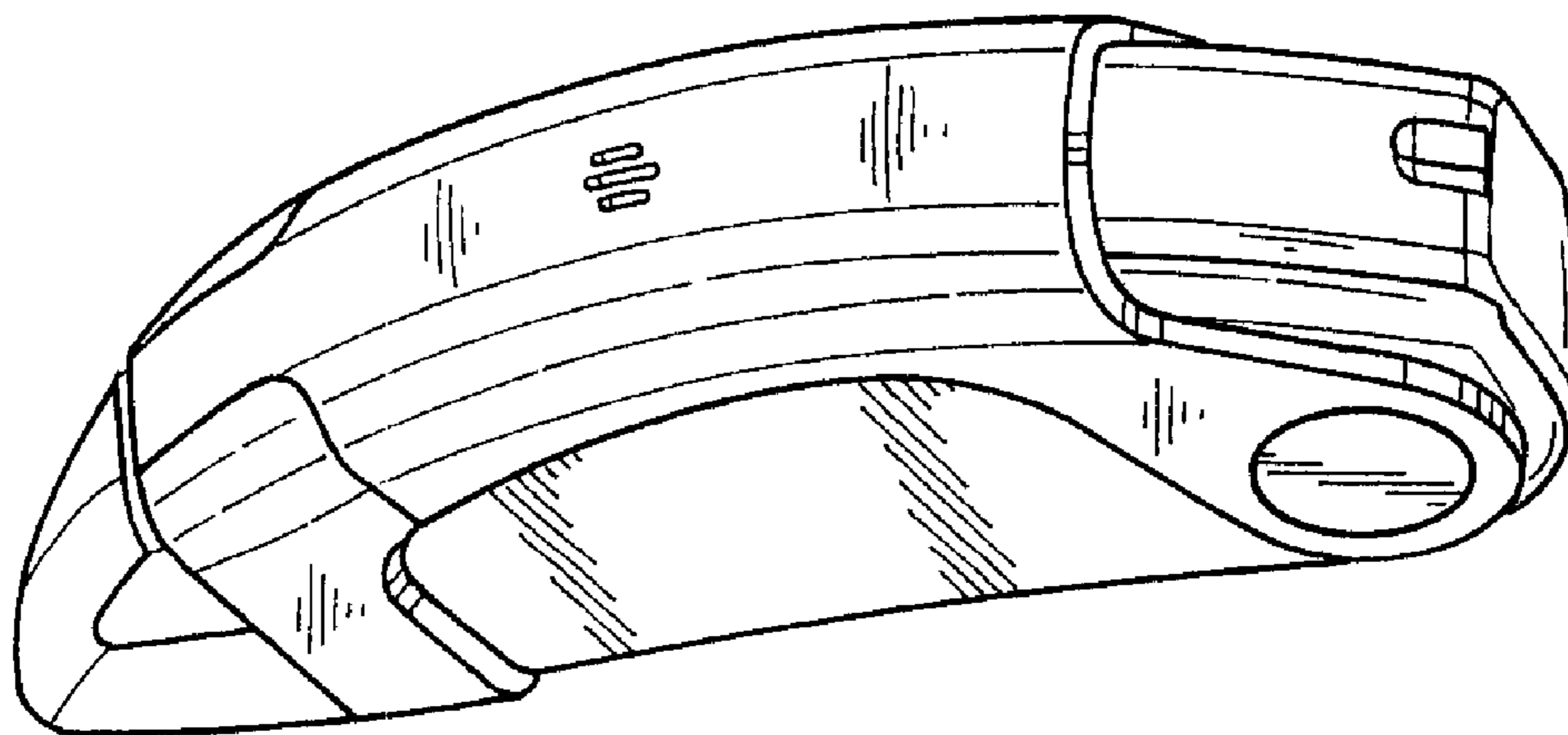


FIG. 4

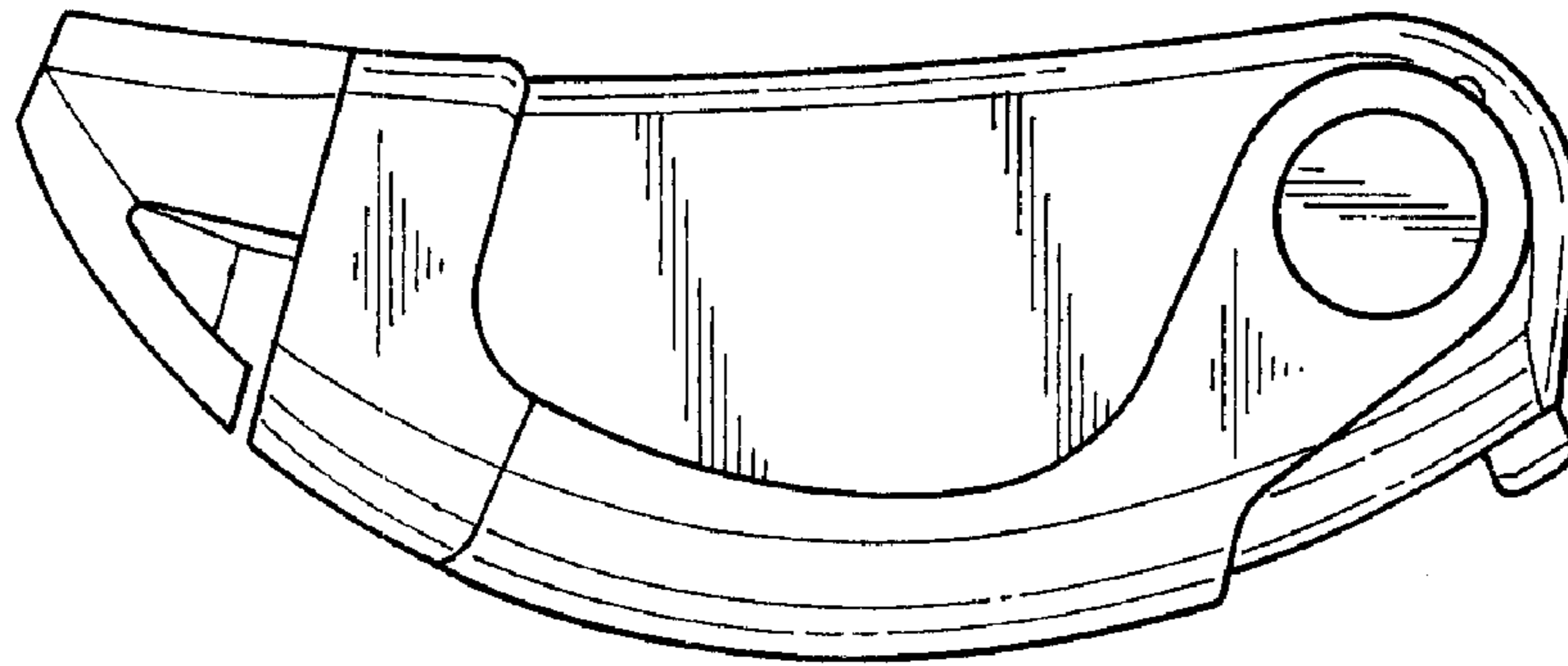


FIG. 5

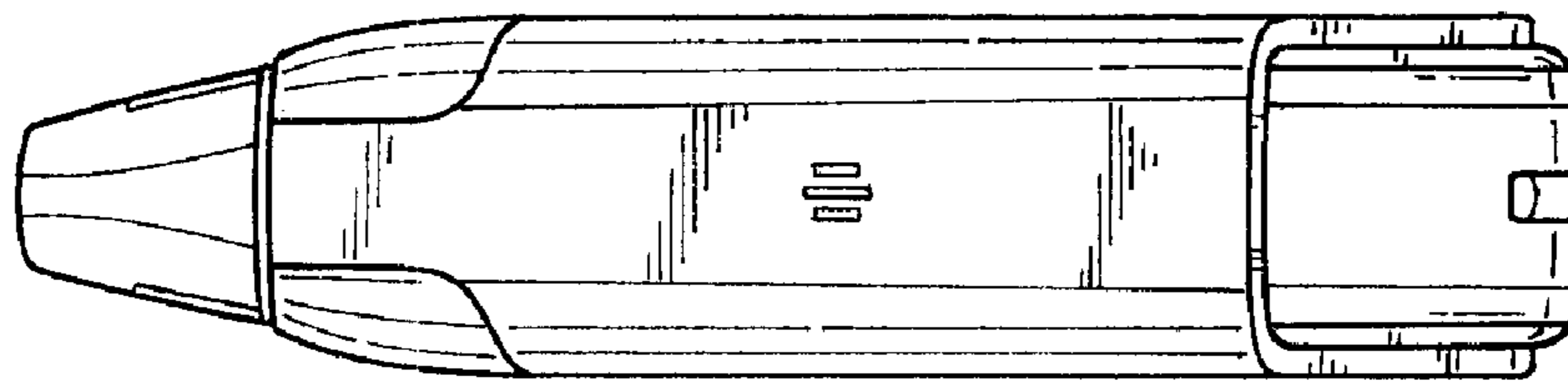


FIG. 6

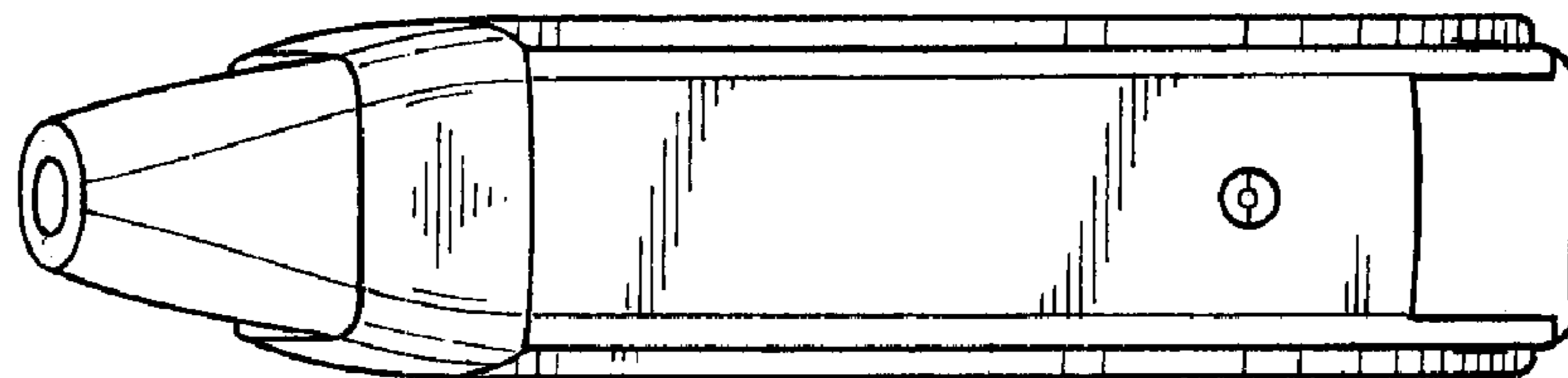


FIG. 7

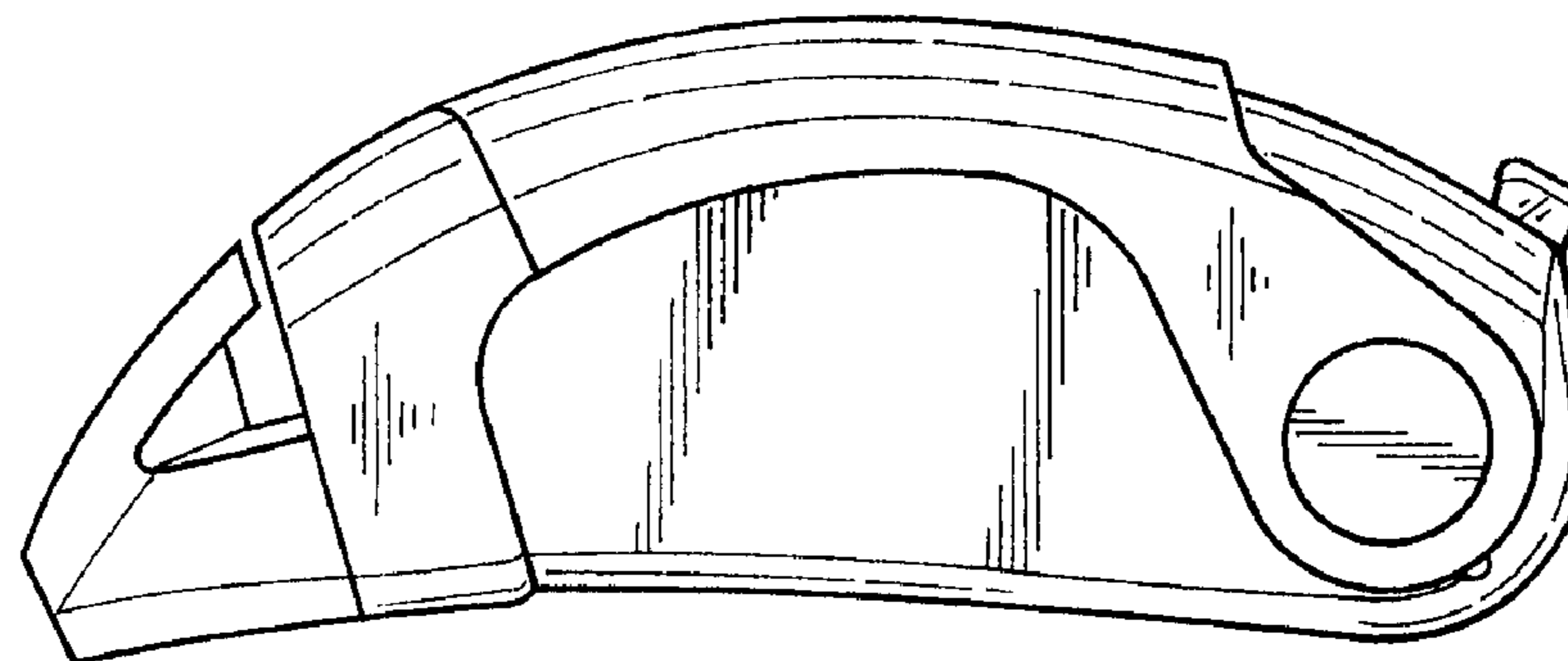


FIG. 8