



US00D635263S

(12) **United States Design Patent**  
**Meinertz**

(10) **Patent No.:** **US D635,263 S**

(45) **Date of Patent:** **\*\* Mar. 29, 2011**

(54) **HEARING AID**

(75) Inventor: **Phillip Meinertz**, Gentofte (DK)

(73) Assignee: **G/N ReSound A/S** (DK)

(\*\*) Term: **14 Years**

(21) Appl. No.: **29/343,699**

(22) Filed: **Sep. 17, 2009**

(30) **Foreign Application Priority Data**

Mar. 18, 2009 (EM) ..... 001108047

(51) **LOC (9) Cl.** ..... **24-99**

(52) **U.S. Cl.** ..... **D24/174**

(58) **Field of Classification Search** ..... D24/173-175,  
D24/151, 106; D14/188, 205, 223, 224,  
D14/249; 381/23.1, 312, 322-324, 328-330,  
381/334, 151, 380, 381; 181/129, 130, 135,  
181/137

See application file for complete search history.

(56) **References Cited**

**U.S. PATENT DOCUMENTS**

D506,258 S \* 6/2005 Nielsen ..... D24/174  
D564,098 S \* 3/2008 Lockenwitz ..... D24/174  
D568,480 S \* 5/2008 Lockenwitz ..... D24/174  
7,590,255 B2 \* 9/2009 Nielsen ..... 381/328  
D608,449 S \* 1/2010 Cano et al. .... D24/174

D618,805 S \* 6/2010 Hindhede ..... D24/174  
\* cited by examiner

*Primary Examiner* — T. Chase Nelson

*Assistant Examiner* — Anhdao Doan

(74) *Attorney, Agent, or Firm* — Vista IP Law Group, LLP.

(57) **CLAIM**

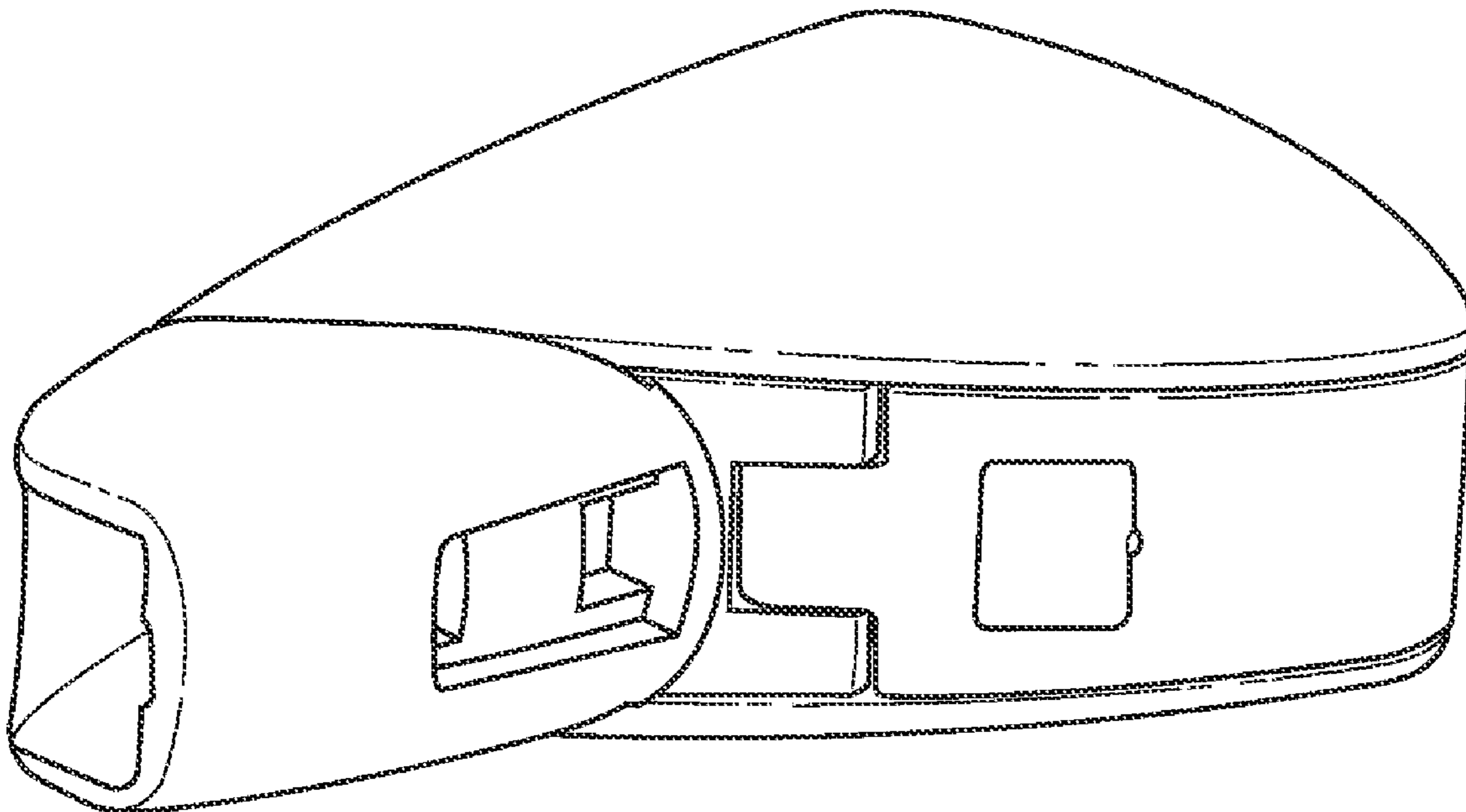
The ornamental design for a hearing aid, as shown and described.

**DESCRIPTION**

FIG. 1 is a bottom and rear perspective view of a hearing aid, with the environmental elements in broken lines;  
FIG. 2 is a top and front perspective view thereof;  
FIG. 3 is another bottom and rear perspective view thereof, with the environmental elements removed for clarity;  
FIG. 4 is a rear perspective view thereof;  
FIG. 5 is a bottom perspective view thereof;  
FIG. 6 is a front perspective view thereof;  
FIG. 7 is a top perspective view thereof;  
FIG. 8 is a side view thereof; and,  
FIG. 9 is another side view thereof.

The broken lines in FIGS. 1 and 2 represent the environment, and the broken lines in FIG. 4 are included for the purpose of illustrating a portion of the hearing aid that forms no part of the claimed design. None of the broken lines form part of the claimed design.

**1 Claim, 5 Drawing Sheets**



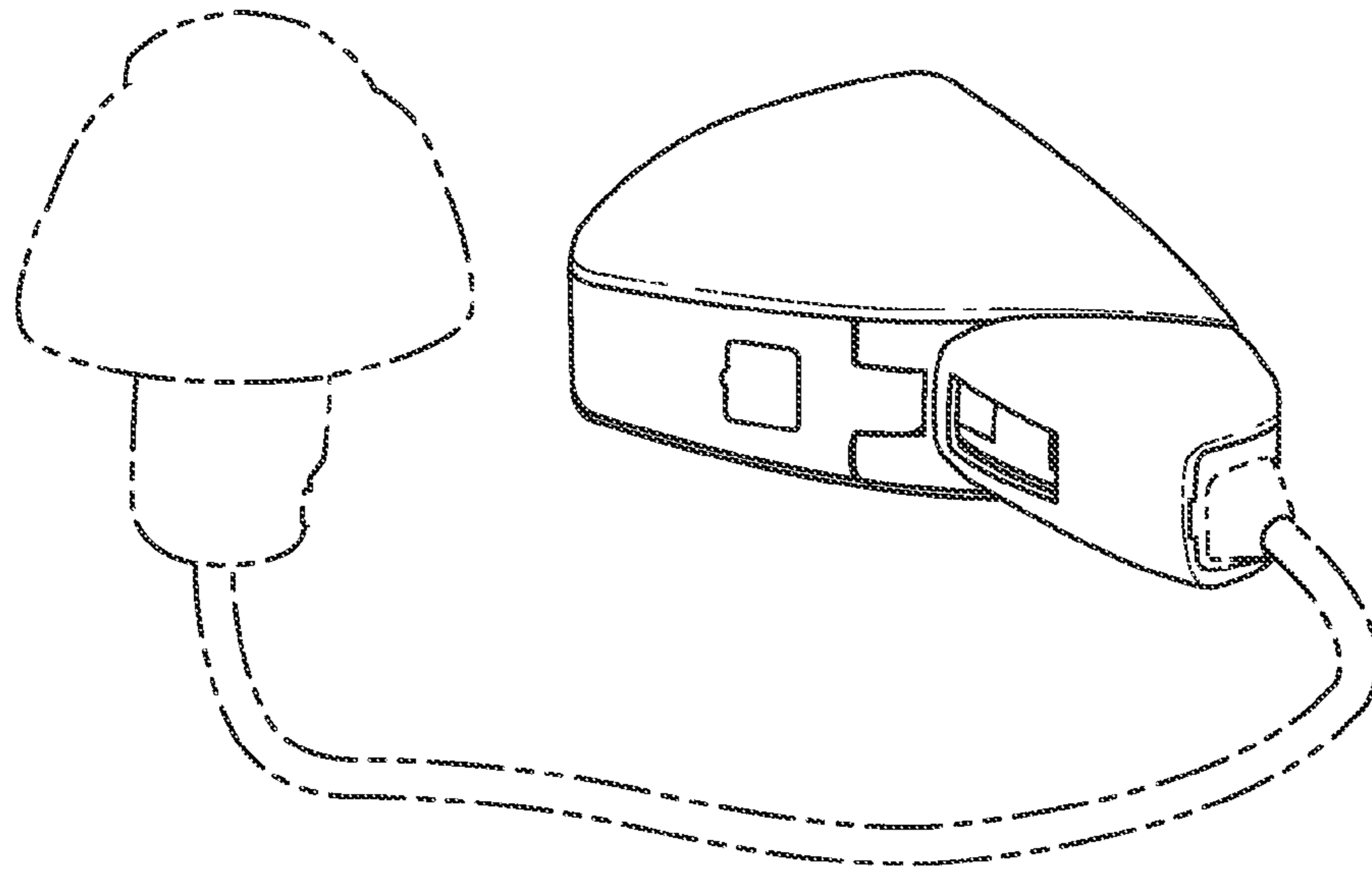


FIG. 1

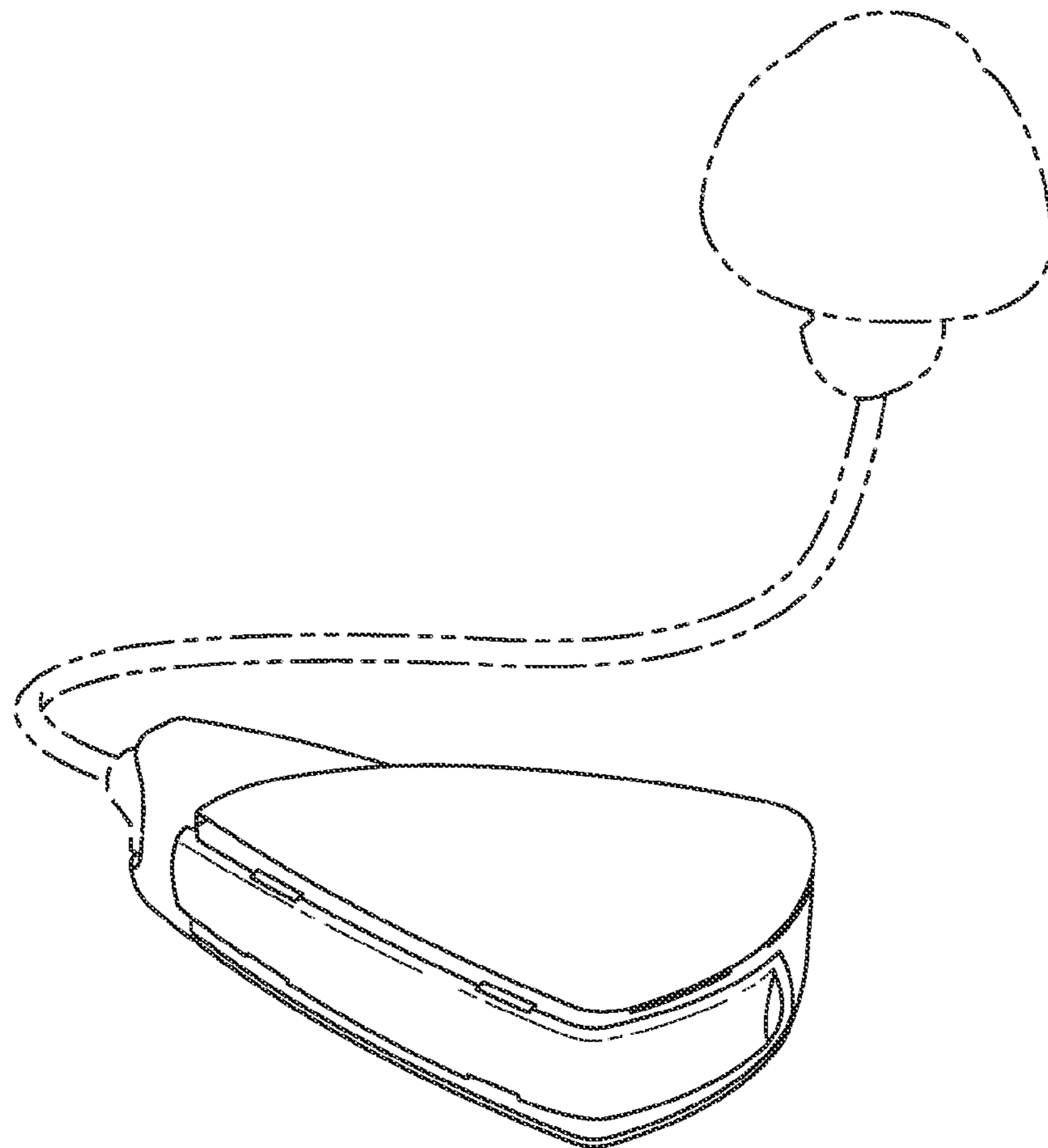


FIG. 2

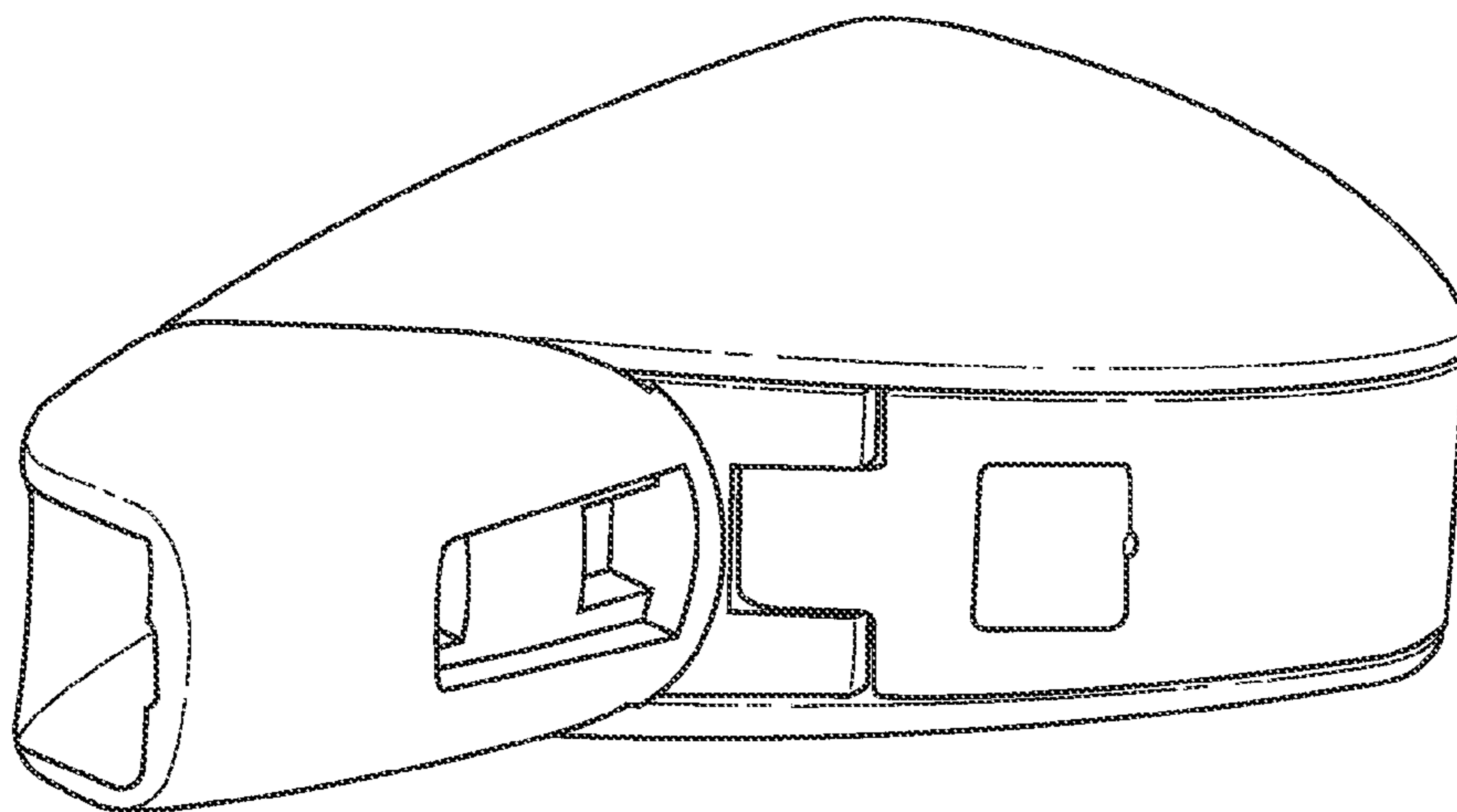


FIG. 3

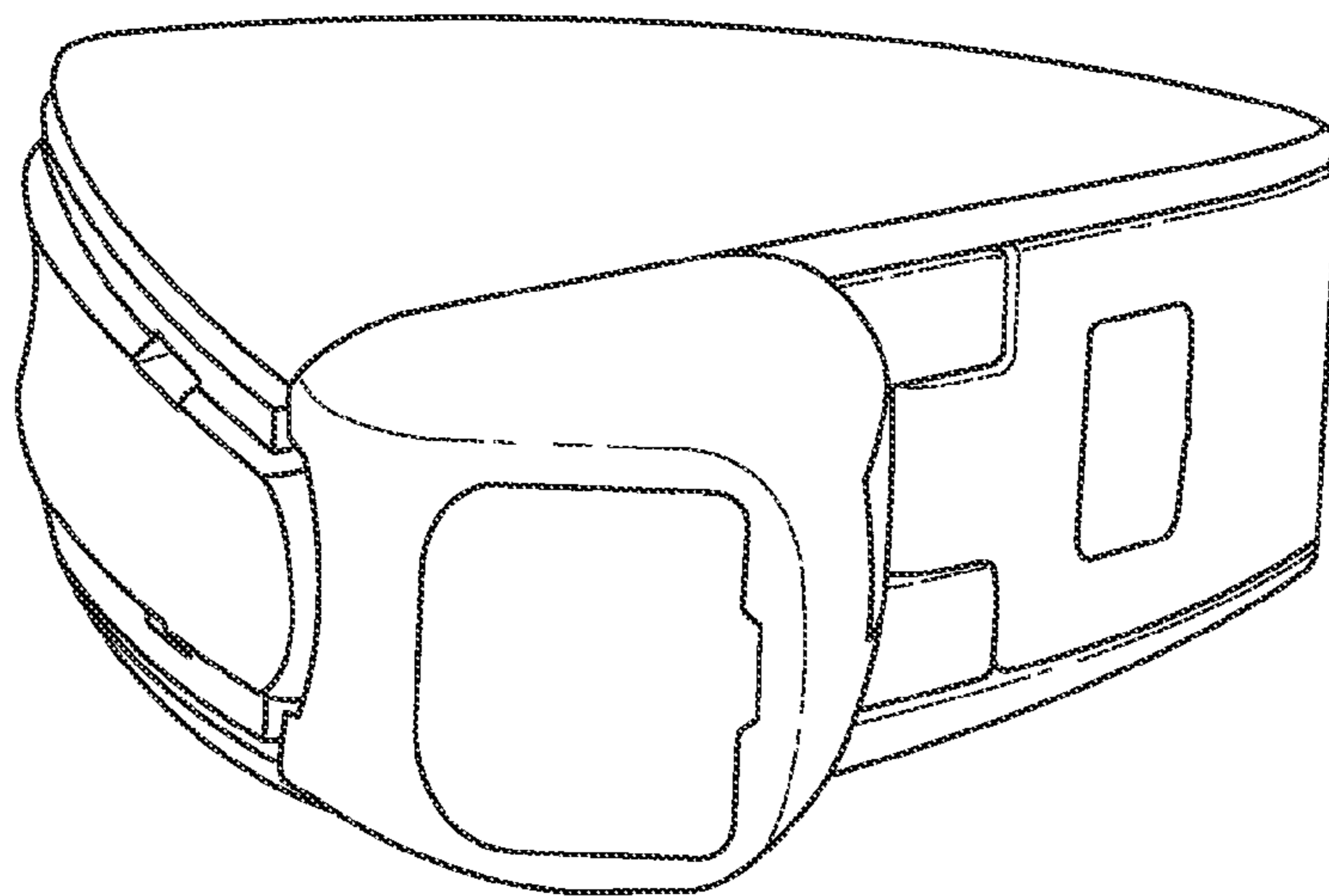


FIG. 4

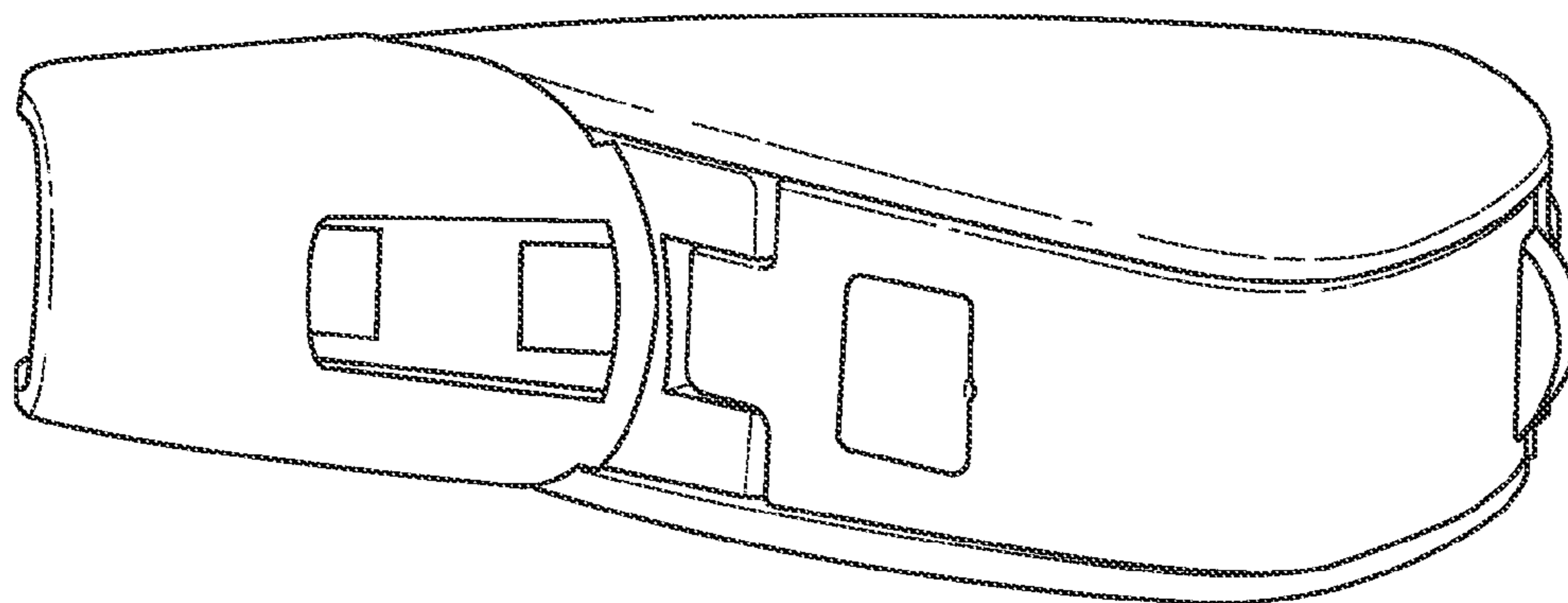


FIG. 5

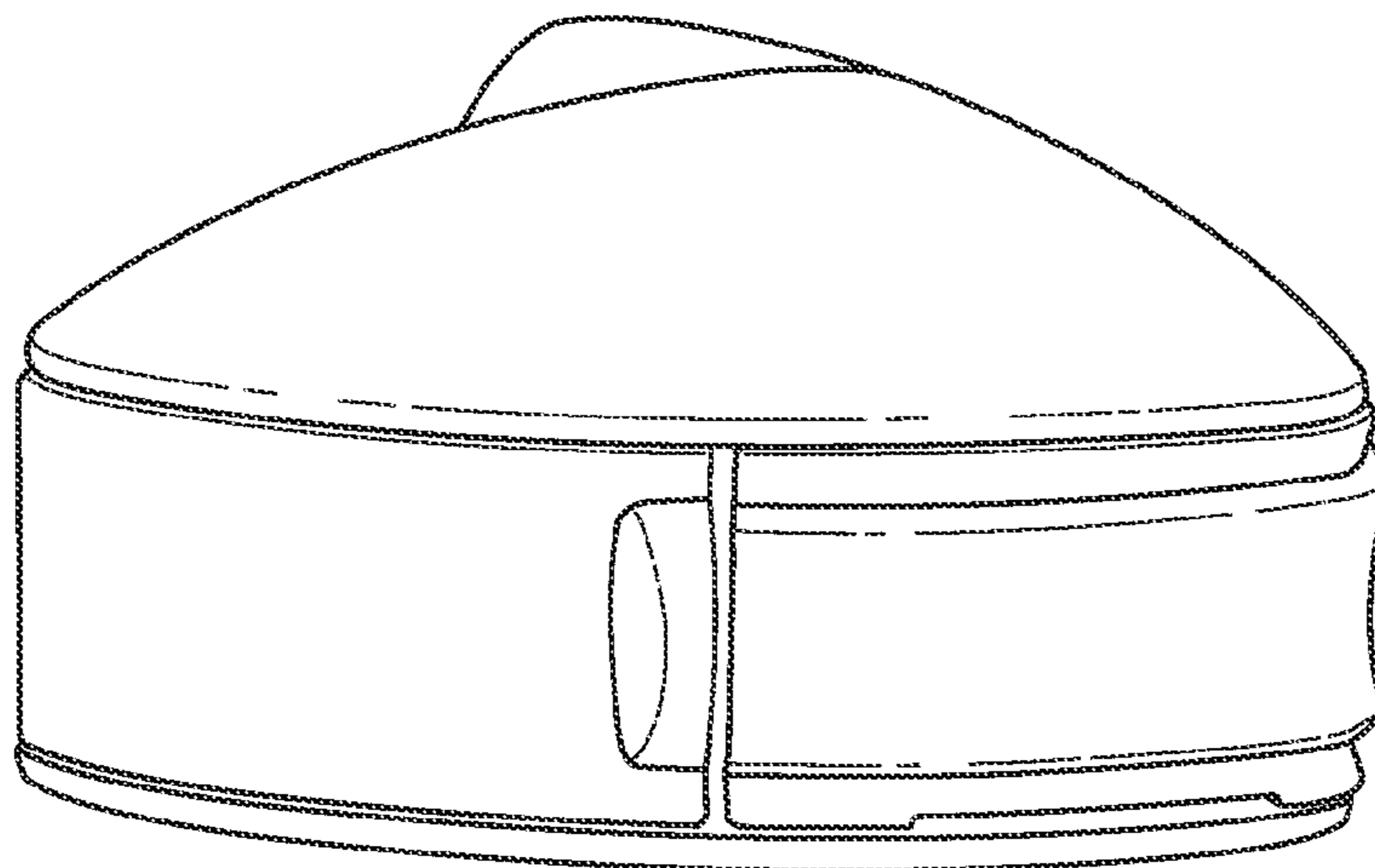


FIG. 6

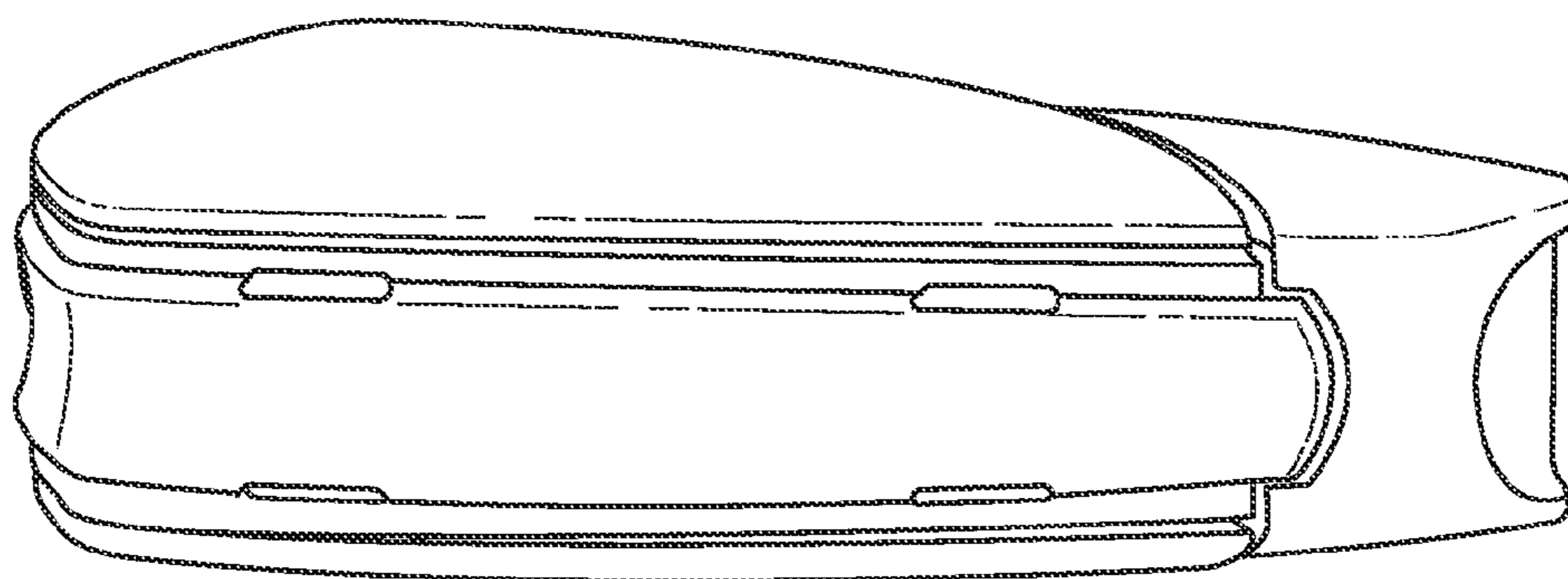


FIG. 7

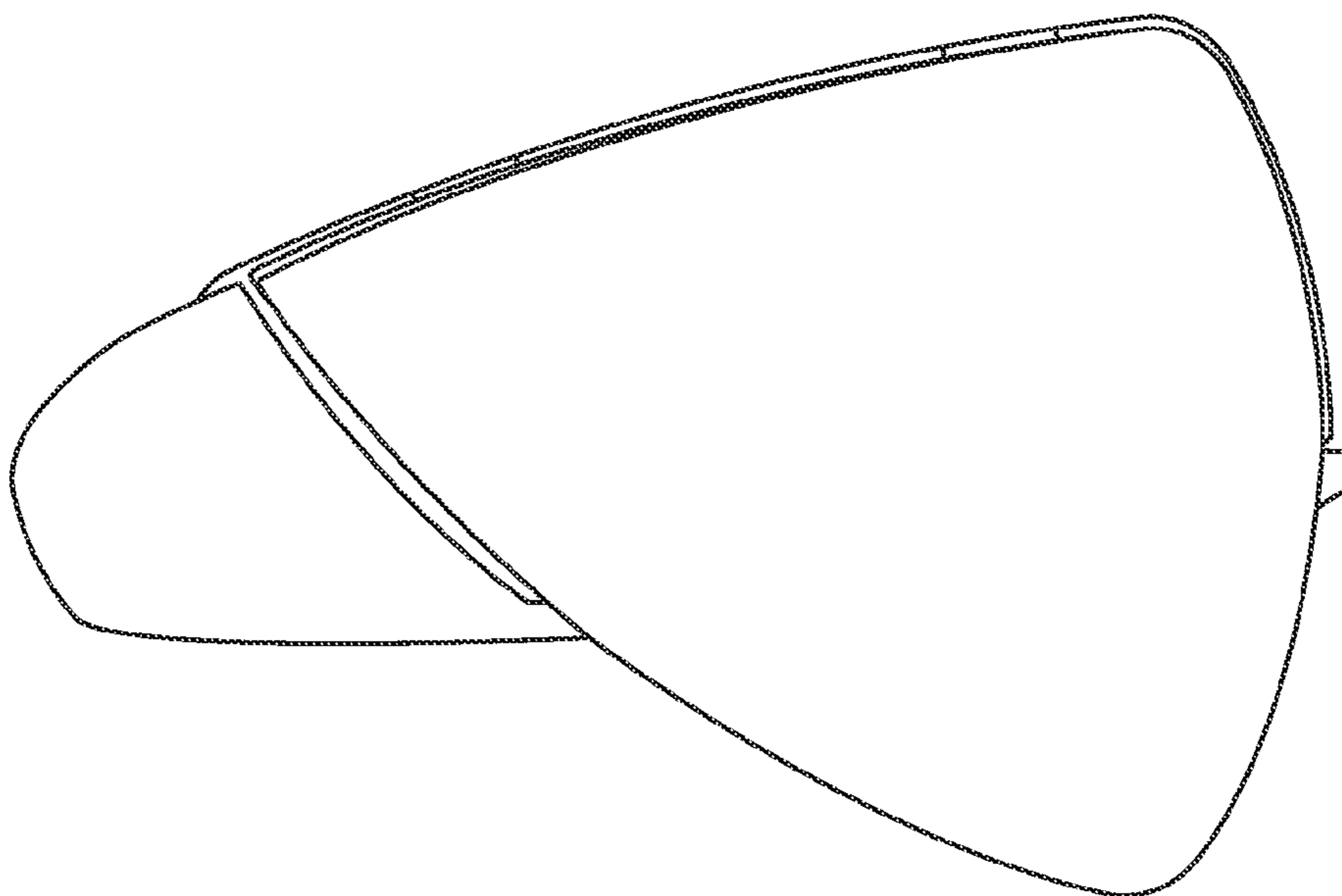


FIG. 8

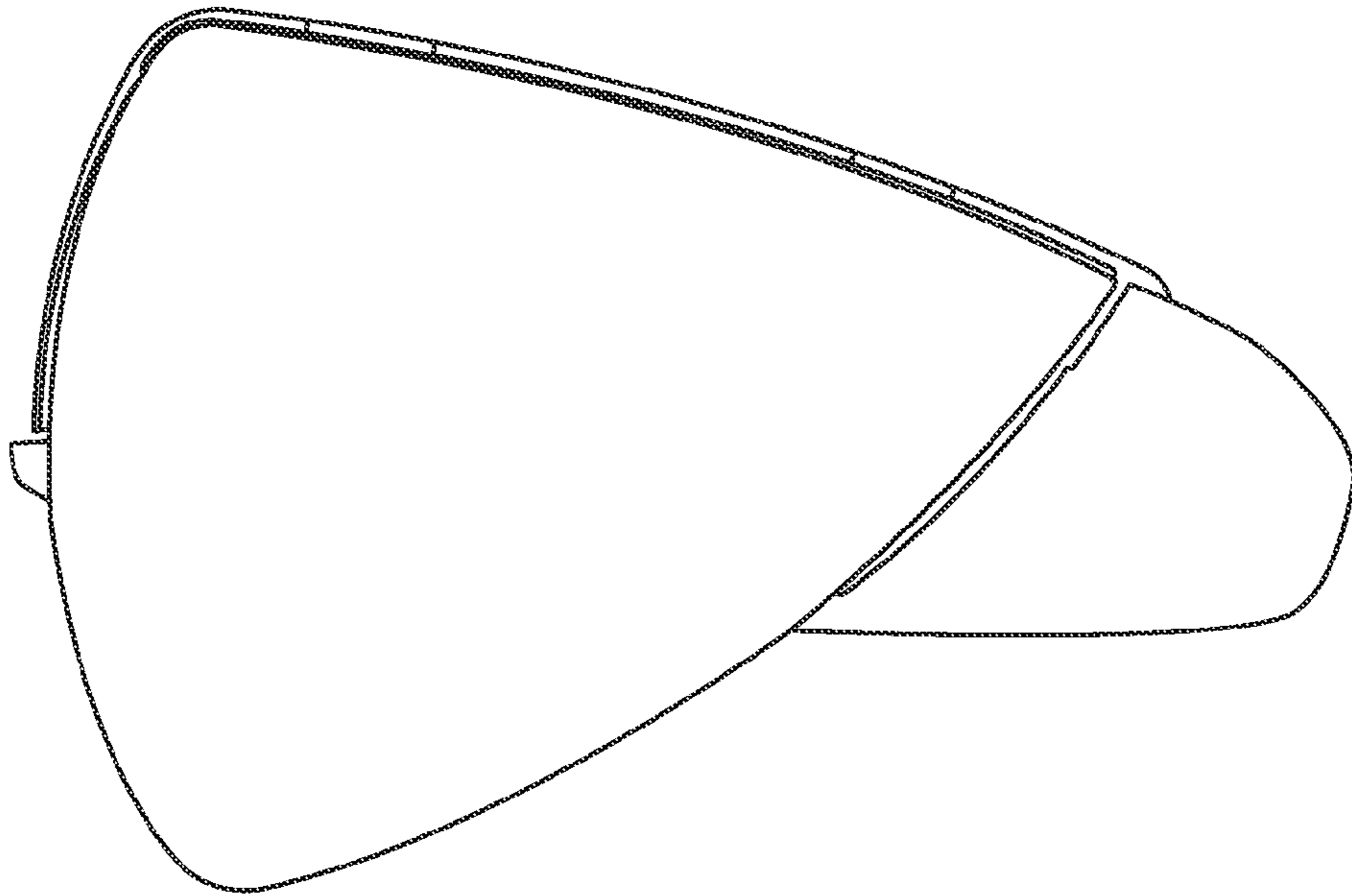


FIG. 9