



US00D635259S

(12) **United States Design Patent**
Peterson et al.

(10) **Patent No.:** **US D635,259 S**
(45) **Date of Patent:** **** Mar. 29, 2011**

(54) **TISSUE FASTENING INSTRUMENT**

(75) Inventors: **James A. Peterson**, Edina, MN (US);
David B. Herridge, Mendota Heights,
MN (US); **John L. Shannon, Jr.**, Orono,
MN (US); **Chad D. Naegli**, Andover,
MN (US); **Christopher J. Sperry**,
Plymouth, MN (US); **David M. Stoen**,
Mahtomedi, MN (US); **Mark E. Reader**,
St. Bonifacius, MN (US)

(73) Assignee: **Incisive Surgical, Inc.**, Plymouth, MN
(US)

(**) Term: **14 Years**

(21) Appl. No.: **29/360,452**

(22) Filed: **Apr. 26, 2010**

(51) **LOC (9) Cl.** **24-02**

(52) **U.S. Cl.** **D24/145**

(58) **Field of Classification Search** D24/133,
D24/145; 227/19, 83, 175.1, 175.3, 176.1,
227/177.1, 178.1, 181.1; 606/139, 142-143,
606/216, 219

See application file for complete search history.

(56) **References Cited**

U.S. PATENT DOCUMENTS

4,391,401	A *	7/1983	Moshofsky	227/19
D271,418	S	11/1983	Campbell et al.		
D278,656	S	4/1985	Green et al.		
4,582,237	A *	4/1986	Storace et al.	227/19
D287,630	S	1/1987	Sharkany et al.		
4,696,300	A	9/1987	Anderson		
4,887,756	A	12/1989	Puchy		
5,080,275	A *	1/1992	Heimerl et al.	227/176.1
D332,491	S *	1/1993	Kraus et al.	D24/145
5,176,306	A	1/1993	Heimerl et al.		
5,389,102	A	2/1995	Green et al.		
5,489,287	A	2/1996	Green et al.		
5,908,149	A	6/1999	Welch et al.		
6,601,748	B1	8/2003	Fung et al.		
6,726,705	B2	4/2004	Peterson et al.		

7,004,950	B1 *	2/2006	Collins et al.	606/142
7,048,171	B2 *	5/2006	Thornton et al.	227/176.1
7,112,214	B2	9/2006	Peterson et al.		
D532,107	S	11/2006	Peterson et al.		
7,547,315	B2	6/2009	Peterson et al.		
7,682,372	B2	3/2010	Peterson		
7,686,200	B2	3/2010	Peterson		
2004/0059377	A1	3/2004	Peterson et al.		
2005/0149064	A1	7/2005	Peterson et al.		
2005/0182444	A1	8/2005	Peterson et al.		
2006/0122635	A1 *	6/2006	Naegli et al.	606/142
2007/0049969	A1	3/2007	Peterson		
2008/0249563	A1 *	10/2008	Peterson et al.	606/216

* cited by examiner

Primary Examiner — Ian Simmons

Assistant Examiner — Wan Laymon

(74) *Attorney, Agent, or Firm* — Patterson Thuent
Christensen Pedersen, P.A.

(57) **CLAIM**

The ornamental design for a tissue fastening instrument, as shown and described.

DESCRIPTION

FIG. 1 is a front perspective view of a tissue fastening instrument according to the invention.

FIG. 2 is a right side view of the tissue fastening instrument of FIG. 1.

FIG. 3 is a top view of the tissue fastening instrument of FIG. 1.

FIG. 4 is a bottom view of the tissue fastening instrument of FIG. 1.

FIG. 5 is a front view of the tissue fastening instrument of FIG. 1.

FIG. 6 is a rear view of the tissue fastening instrument of FIG. 1; and,

FIG. 7 is a left side view of the tissue fastening instrument of FIG. 1.

The broken lines showing portions of a tissue fastening instrument are included for the purpose of illustrating environmental structure and form no part of the claimed design.

1 Claim, 5 Drawing Sheets

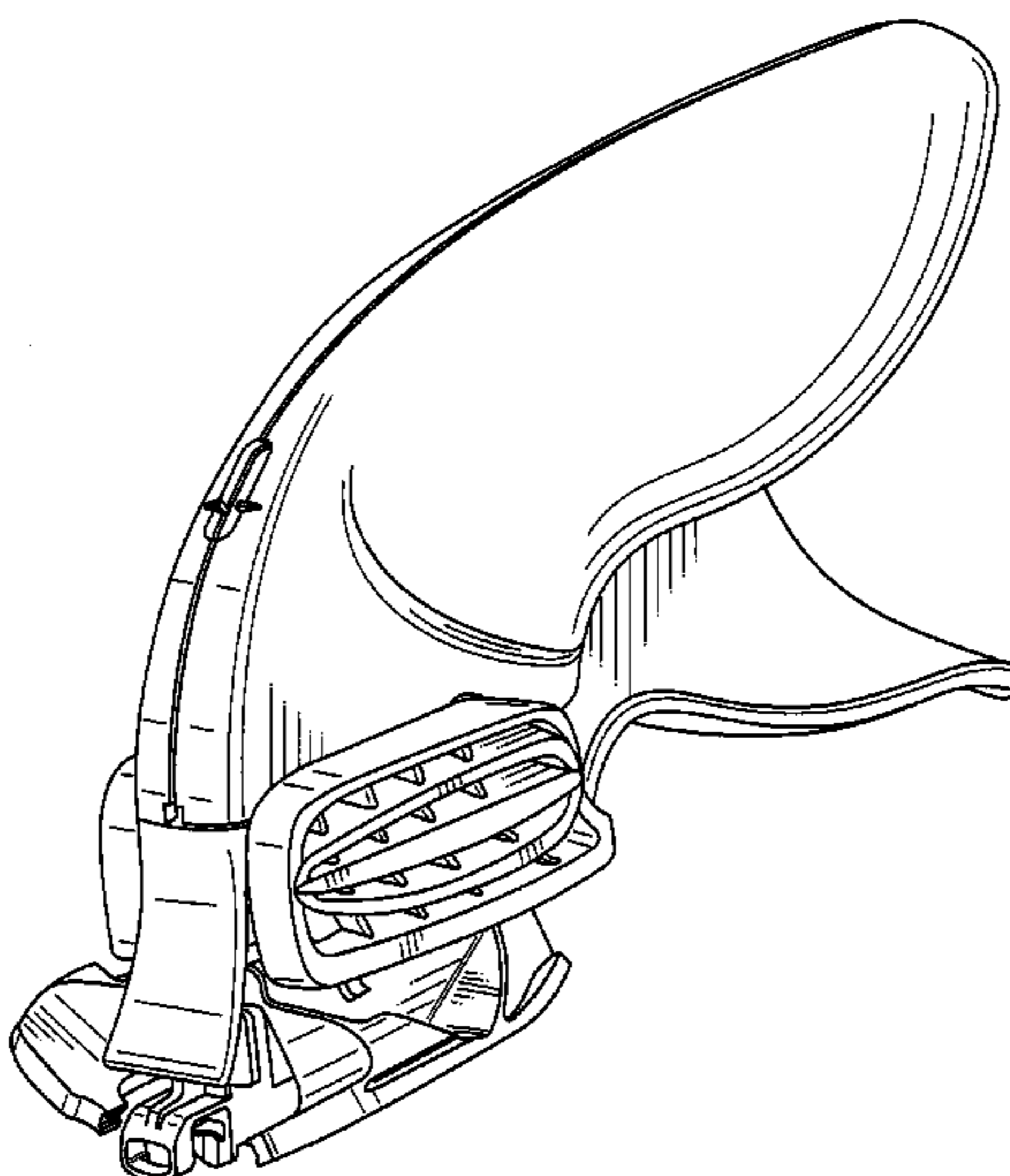


Fig. 1

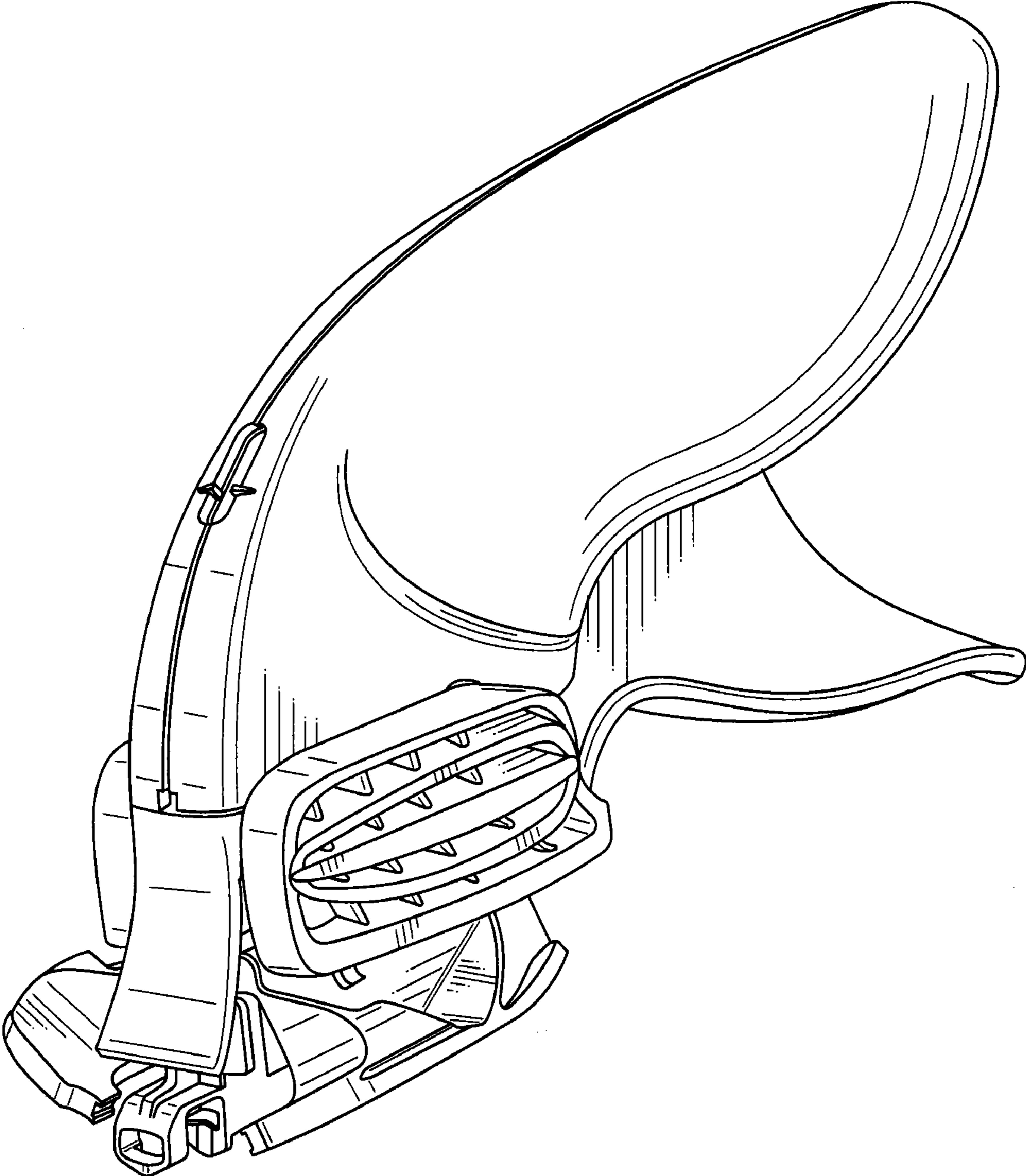
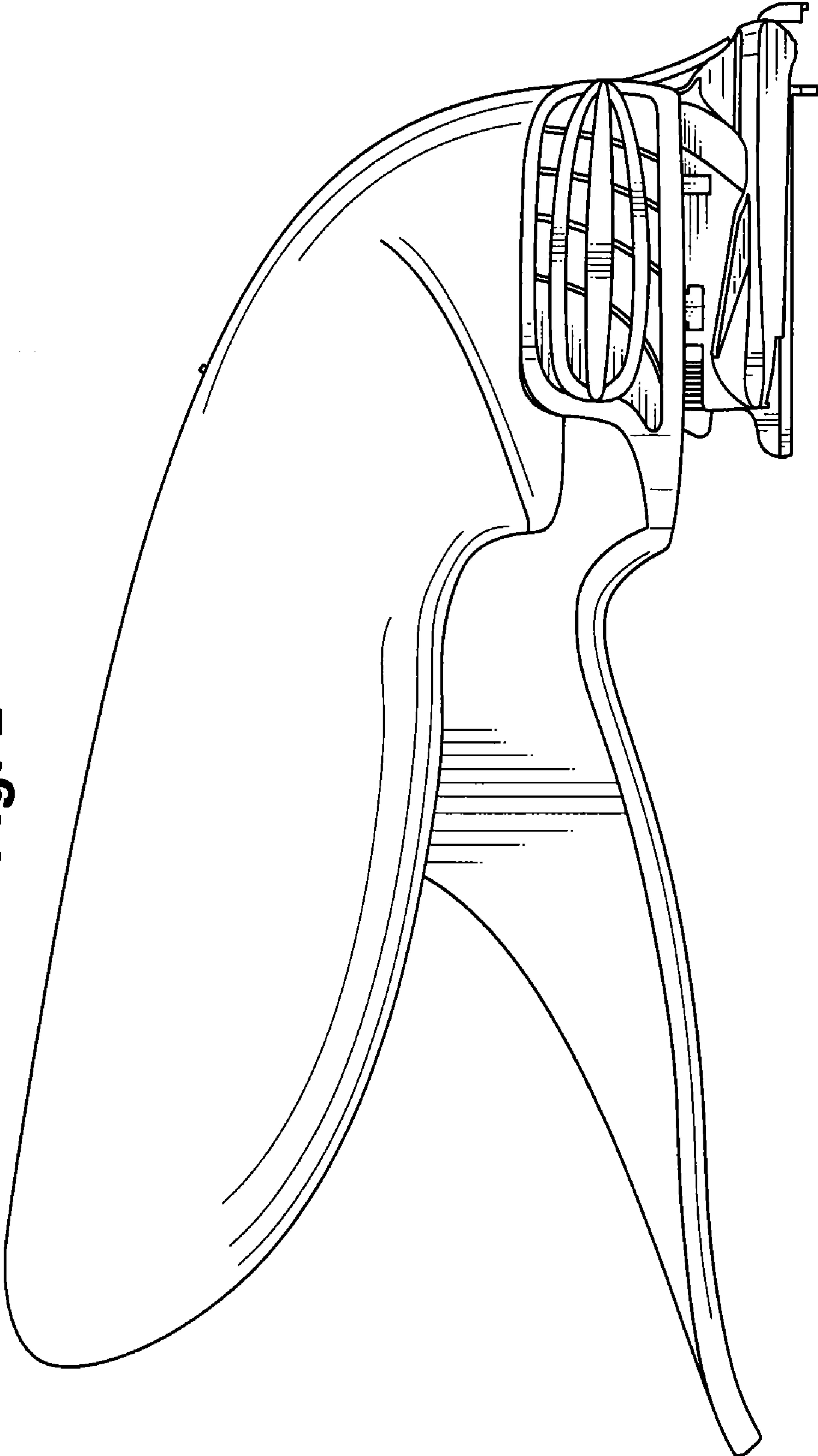


Fig. 2



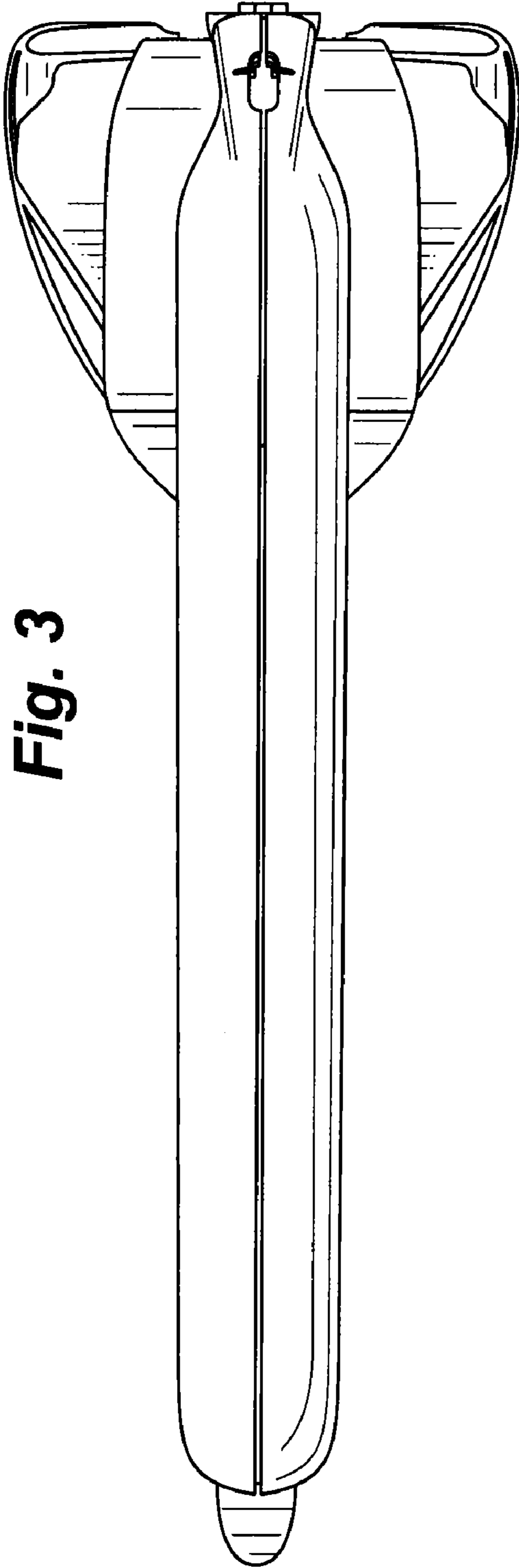


Fig. 3

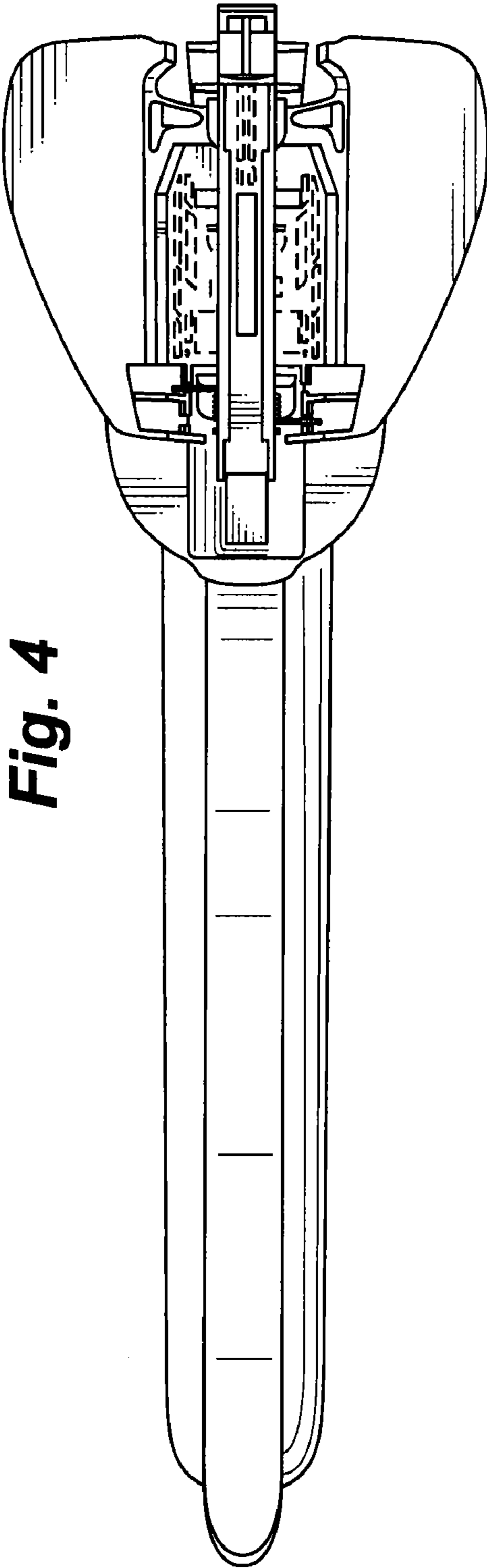


Fig. 4

Fig. 6

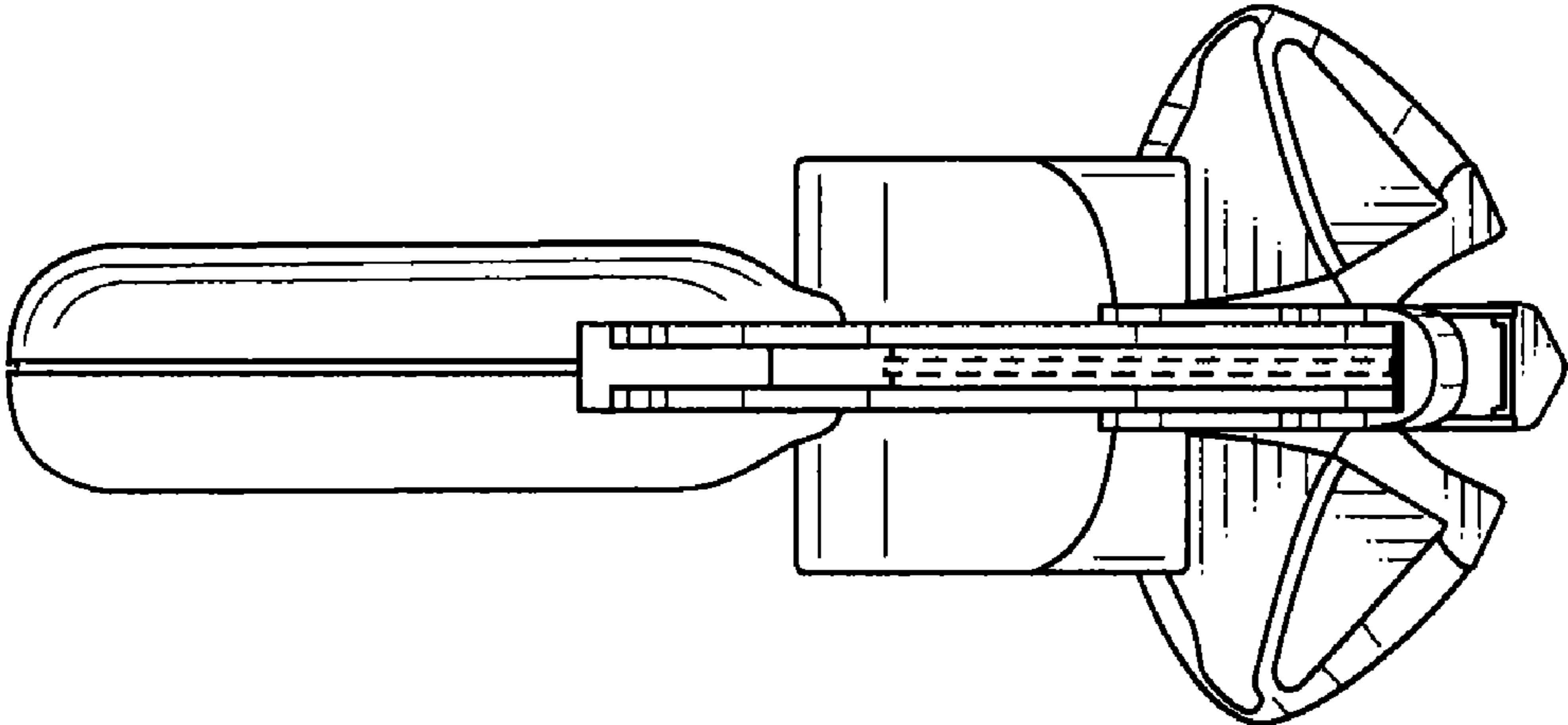


Fig. 5

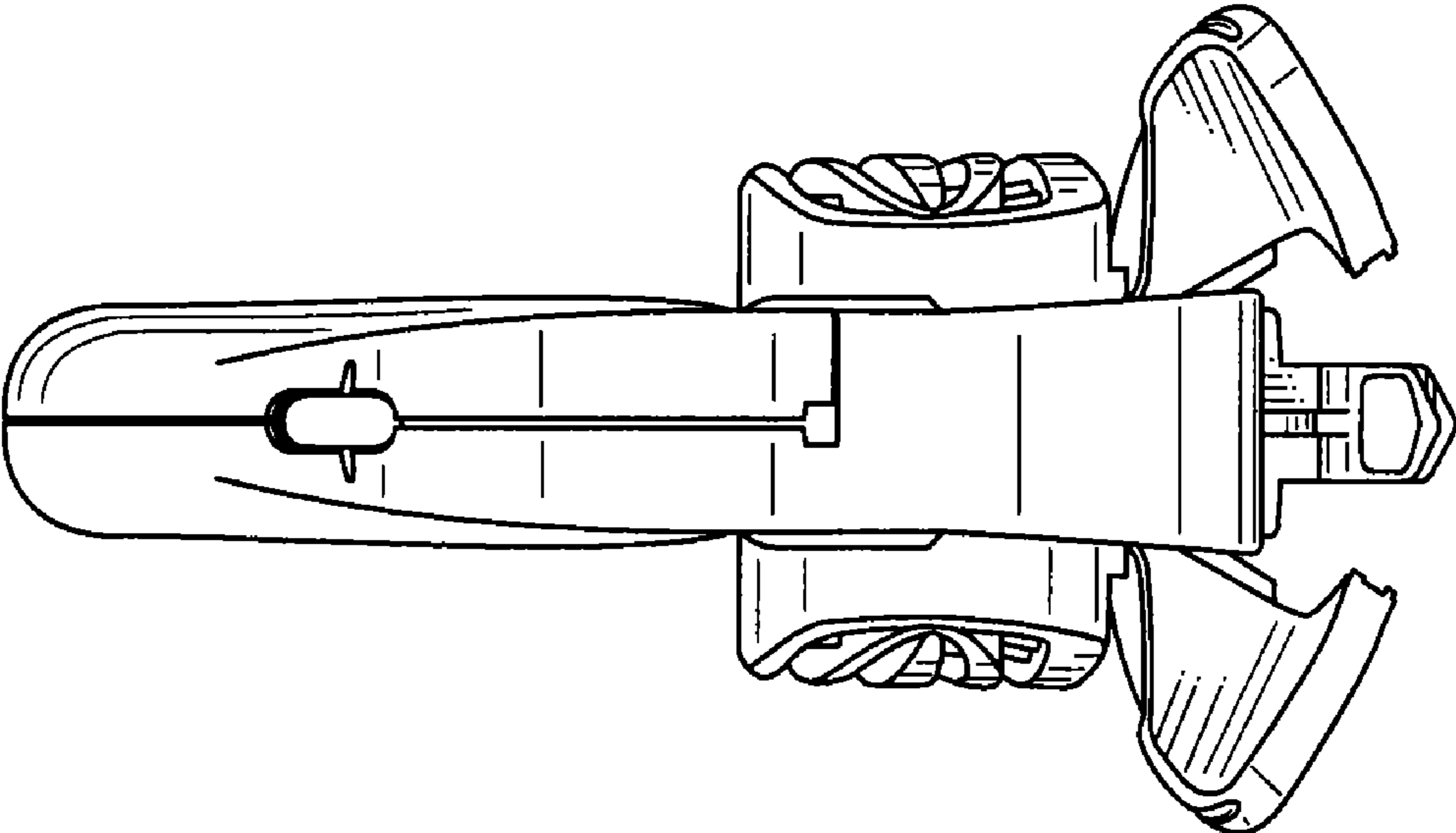


Fig. 7

