



US00D635255S

(12) **United States Design Patent**  
**Travis et al.**

(10) **Patent No.:** **US D635,255 S**  
(45) **Date of Patent:** **\*\* Mar. 29, 2011**

(54) **COMBINATION SLIDE CLAMP AND  
OCCLUSION CLAMP ACTUATOR**

(75) Inventors: **Lee W. Travis**, Centennial, CO (US);  
**Christina Wamsley**, Denver, CO (US)

(73) Assignee: **WalkMed Infusion LLC**, Englewood,  
CO (US)

(\*\*) Term: **14 Years**

(21) Appl. No.: **29/367,410**

(22) Filed: **Aug. 6, 2010**

(51) **LOC (9) Cl.** ..... **24-02**

(52) **U.S. Cl.** ..... **D24/129**

(58) **Field of Classification Search** ..... D24/127-128;  
251/4, 7, 8; 24/130, 561; 604/249-250,  
604/256, 34, 151, 153; D8/394-395  
See application file for complete search history.

(56) **References Cited**

U.S. PATENT DOCUMENTS

4,155,362	A	5/1979	Jess	
4,248,401	A *	2/1981	Mittleman	251/7
4,307,869	A *	12/1981	Mittleman	251/7
4,434,963	A *	3/1984	Russell	251/7
4,460,358	A	7/1984	Somerville et al.	
4,586,691	A	5/1986	Kozlow	
4,689,043	A	8/1987	Bisha	
4,818,190	A	4/1989	Pelmulder et al.	
D305,151	S *	12/1989	Bisha'	D24/129
5,017,192	A	5/1991	Dodge et al.	
5,219,327	A	6/1993	Okada	
5,232,193	A *	8/1993	Skakoon	251/4
5,290,238	A	3/1994	Crass et al.	
5,300,044	A	4/1994	Classey et al.	
5,401,256	A	3/1995	Stone et al.	
5,437,635	A	8/1995	Fields et al.	
5,437,642	A	8/1995	Thill et al.	
5,453,098	A	9/1995	Botts et al.	

5,842,841	A *	12/1998	Danby et al.	417/474
5,868,712	A	2/1999	Briggs et al.	
5,967,484	A *	10/1999	Morris	251/4
6,261,262	B1	7/2001	Briggs et al.	
6,629,955	B2	10/2003	Morris et al.	
6,840,492	B1 *	1/2005	Boyne-Aitken	251/7
2007/0102657	A1 *	5/2007	Clarke et al.	251/4
2007/0270765	A1	11/2007	Hasler	
2009/0306592	A1	12/2009	Kasai et al.	

FOREIGN PATENT DOCUMENTS

JP	2000-237308	9/2000
WO	2009/133705	11/2009

\* cited by examiner

*Primary Examiner* — T. Chase Nelson

*Assistant Examiner* — Eric L Goodman

(74) *Attorney, Agent, or Firm* — John R. Ley

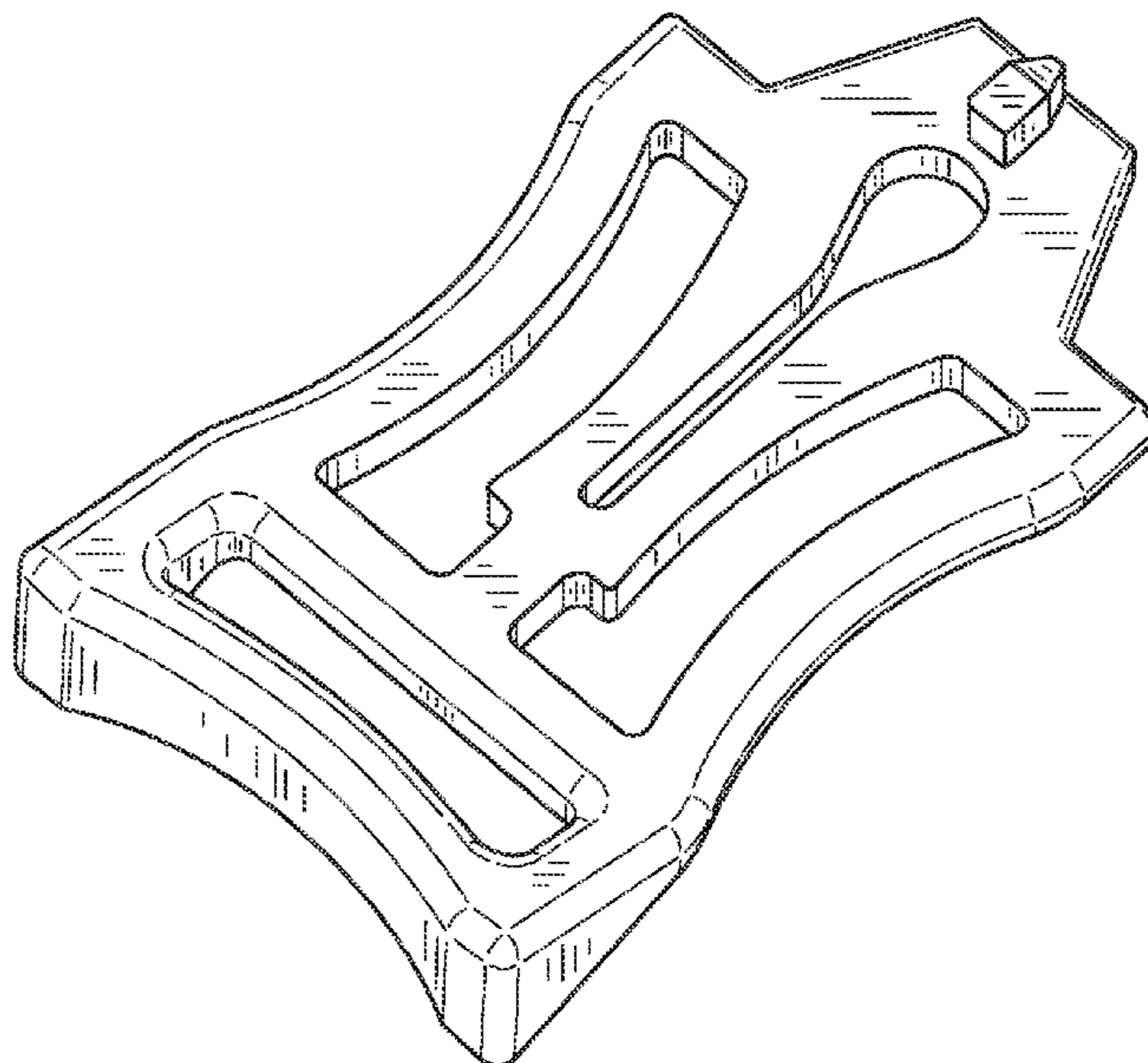
(57) **CLAIM**

The ornamental design for a combination slide clamp and occlusion clamp actuator, as shown and described.

**DESCRIPTION**

FIG. 1 is a perspective view of a combination slide clamp and occlusion clamp actuator showing my/our new design; FIG. 2 is a top plan view thereof, the bottom plan view thereof being identical; FIG. 3 is a right side elevational view thereof, the left side elevational view thereof being identical; FIG. 4 is a front elevational view thereof; FIG. 5 is a rear elevational view thereof; FIG. 6 is a perspective view thereof similar to FIG. 1 showing by phantom lines a broken fluid delivery tube which does not constitute a portion of my/our new design; and, FIG. 7 is a perspective view thereof similar to FIG. 1 showing by phantom lines a broken fluid delivery tube which does not constitute a portion of my/our new design.

**1 Claim, 5 Drawing Sheets**



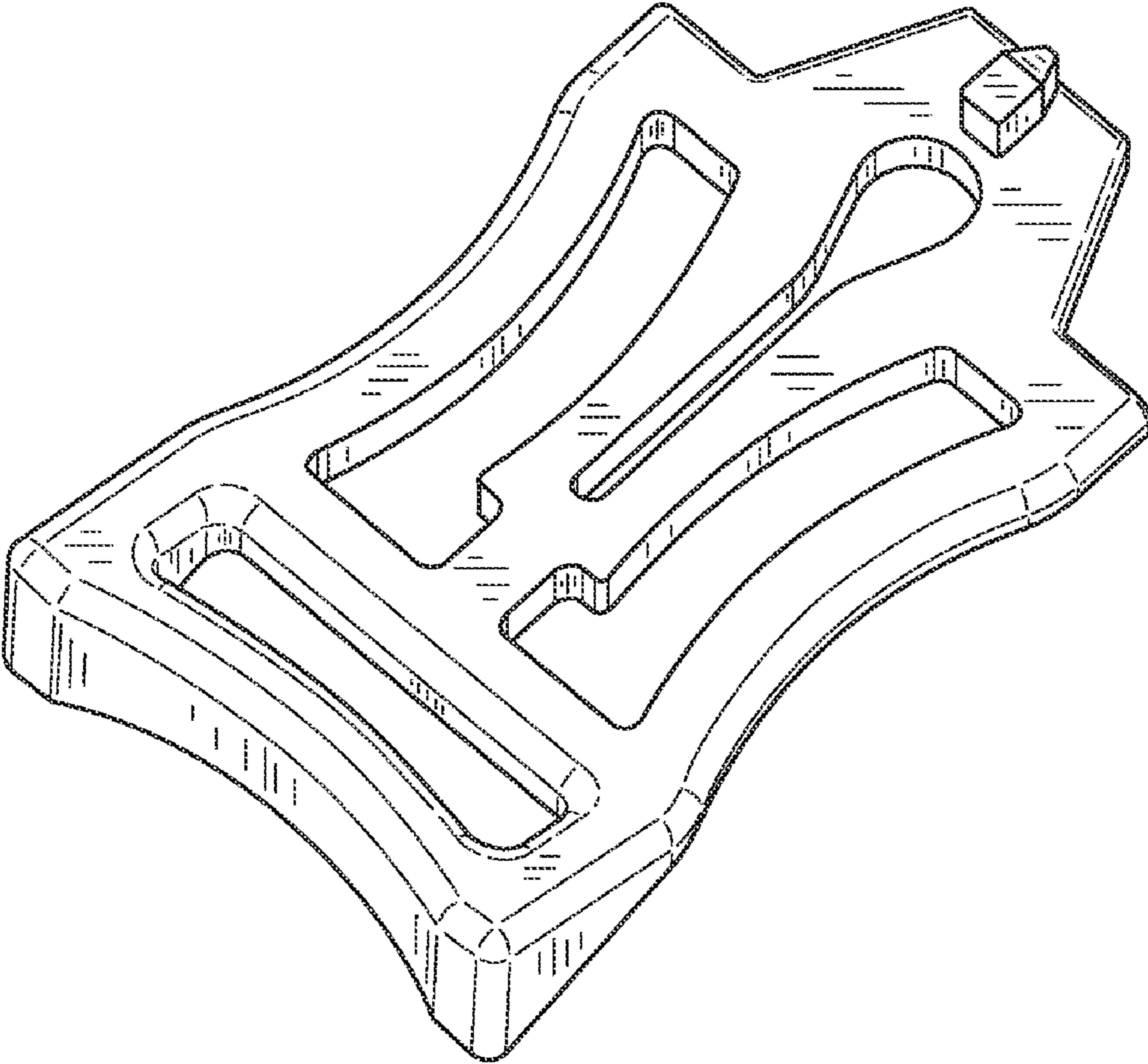


FIG. 1

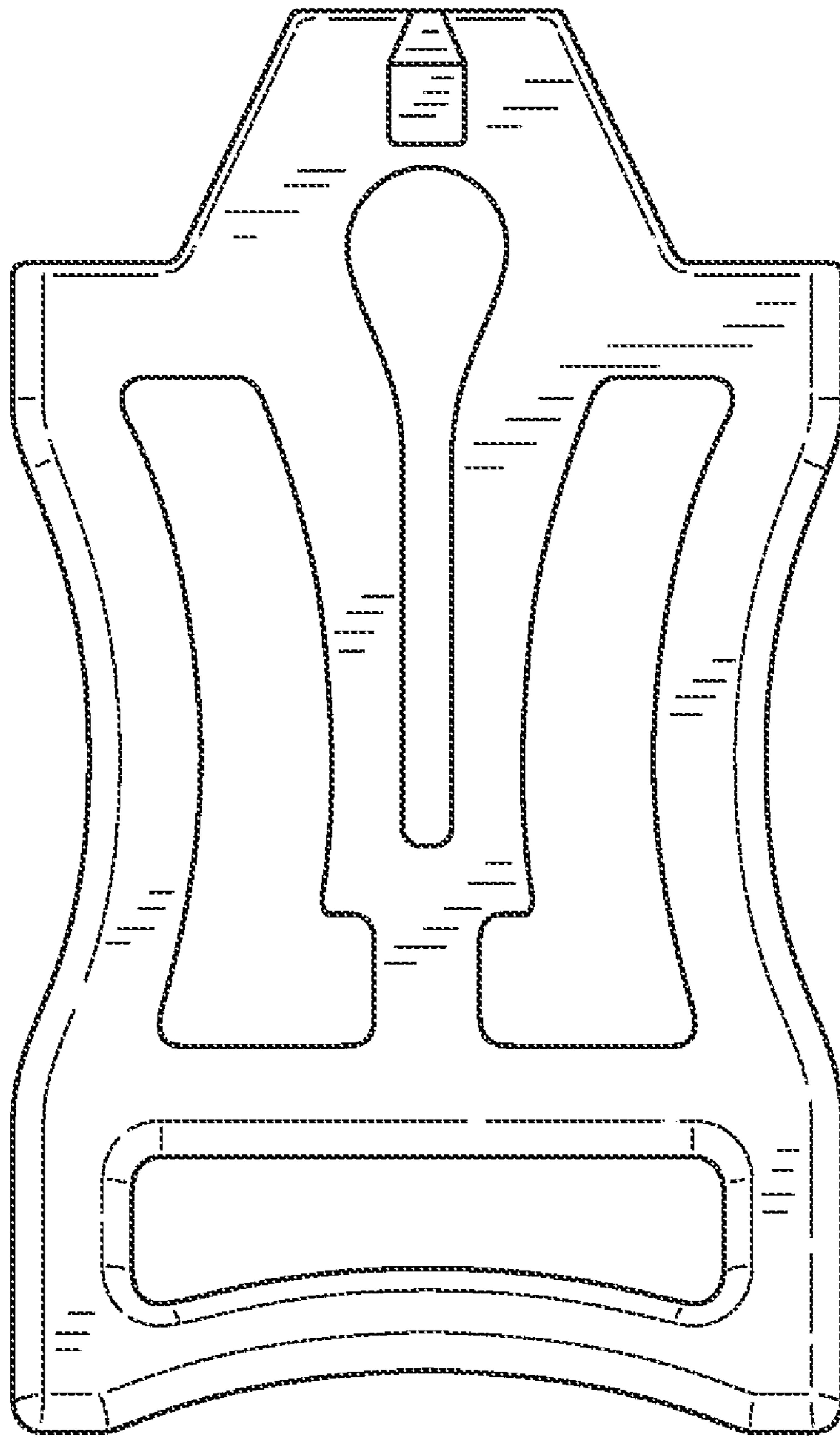


FIG.2

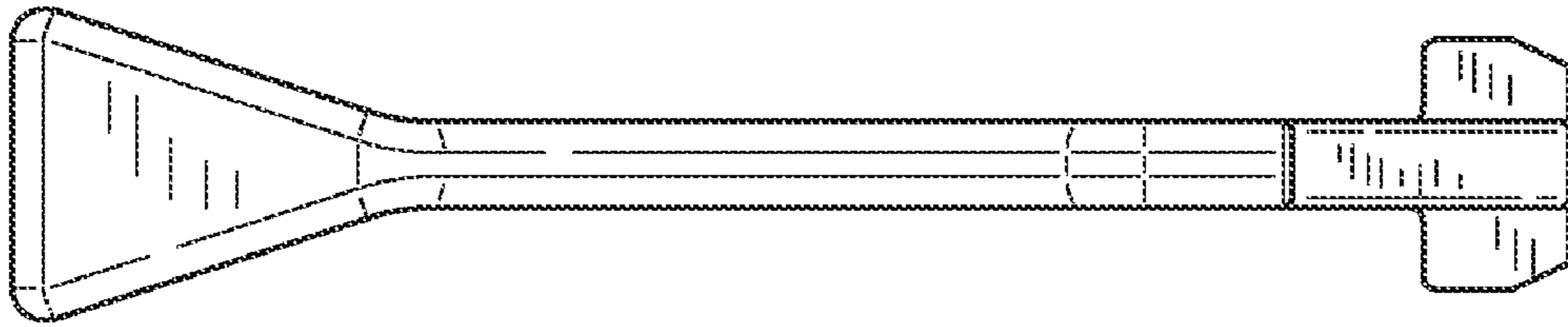


FIG. 3

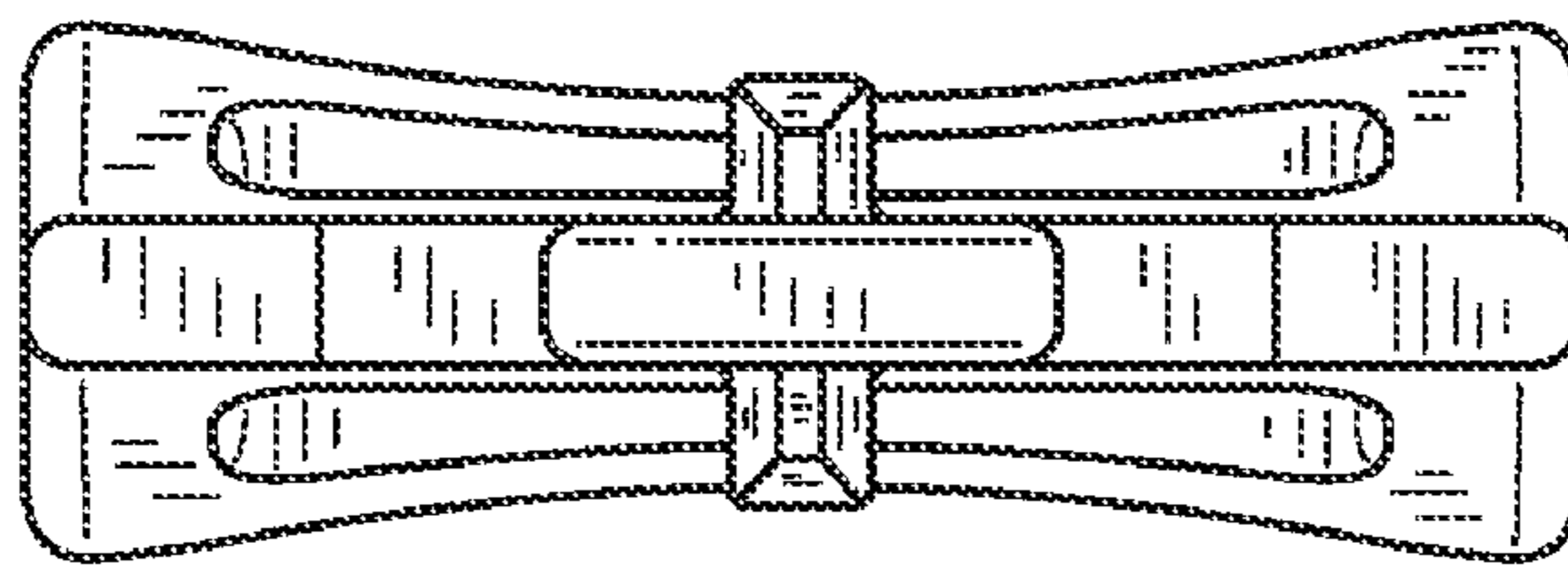


FIG. 4

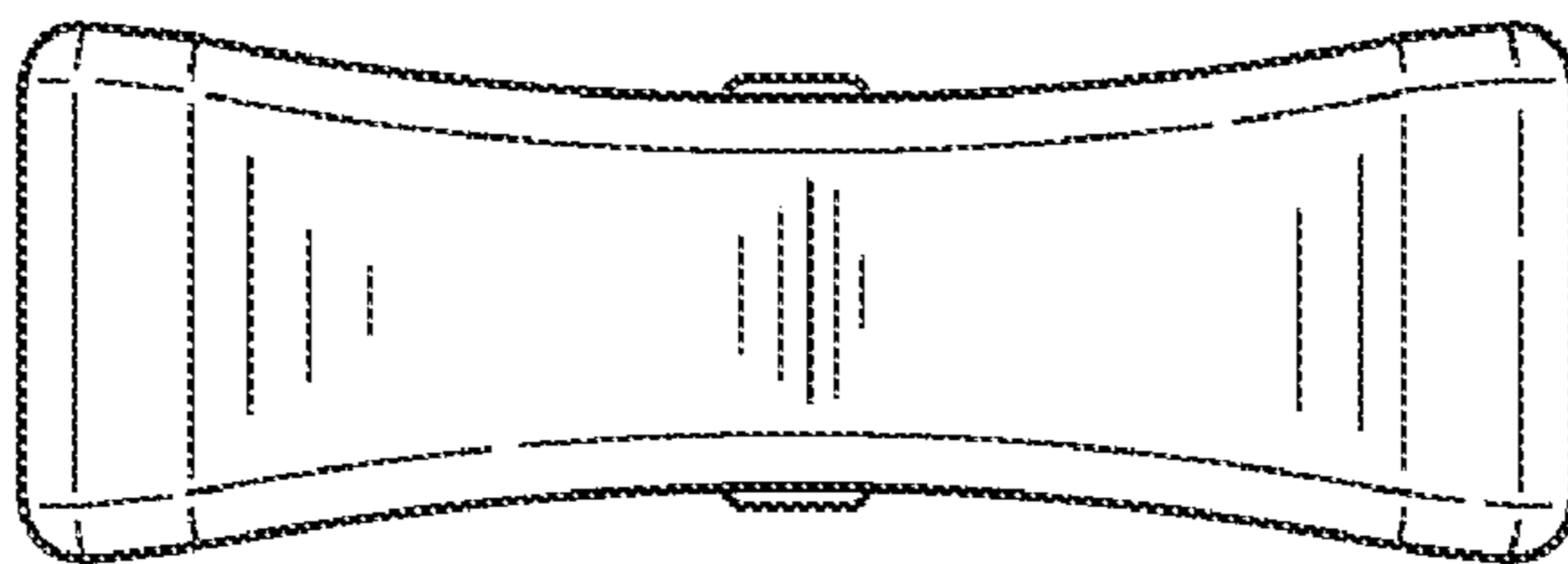


FIG. 5

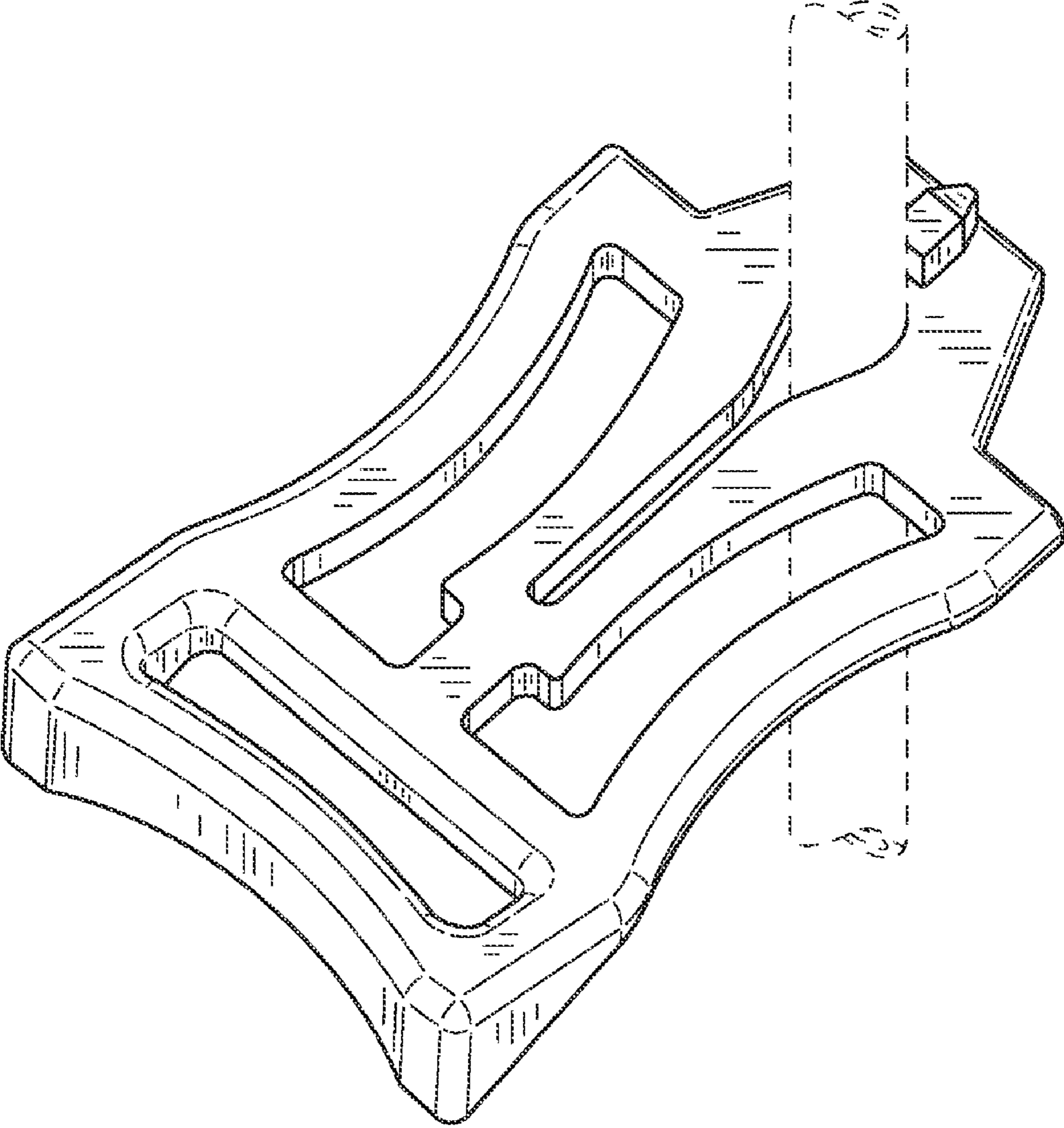


FIG.6

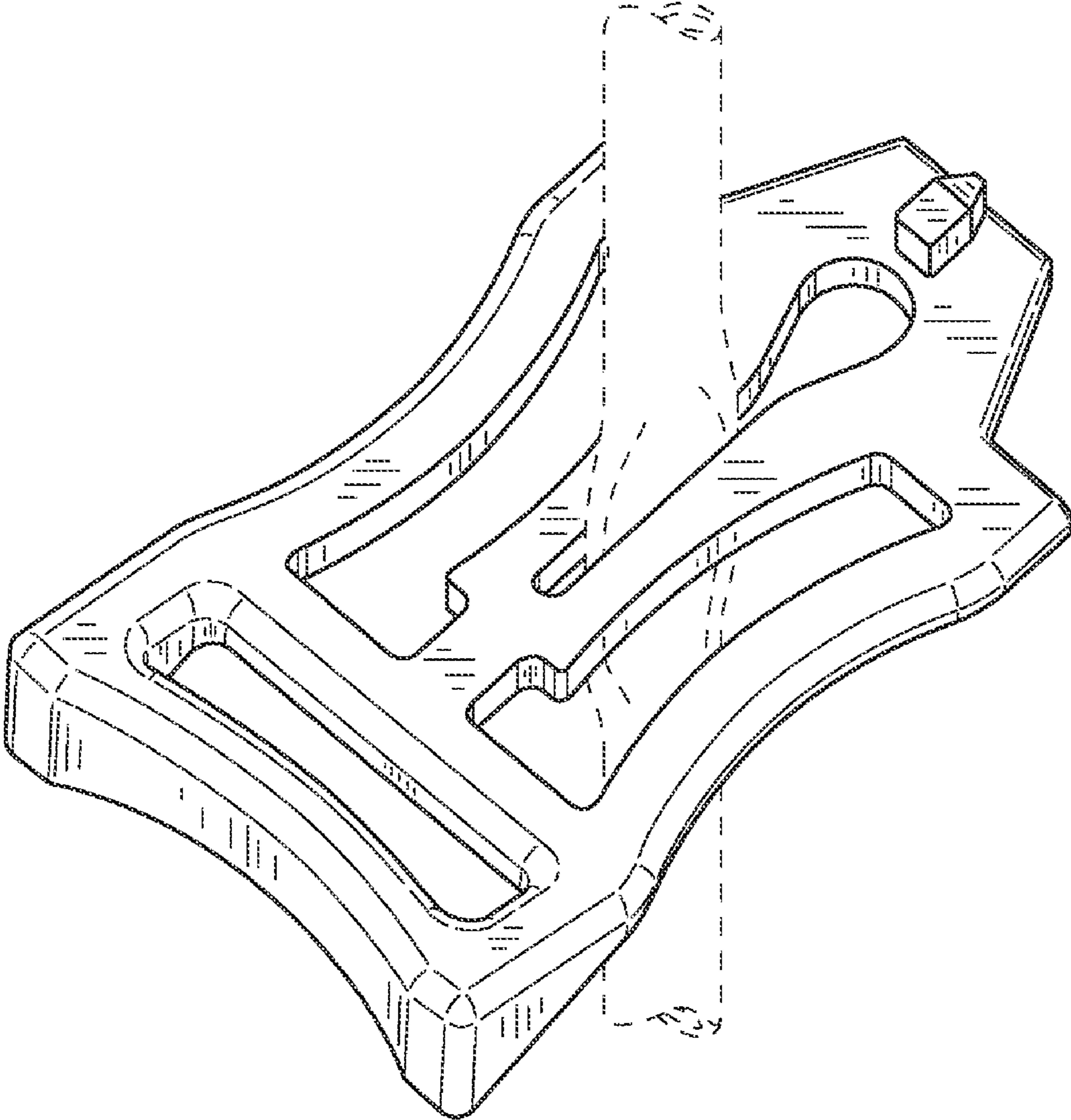


FIG.7