



US00D635249S

(12) **United States Design Patent**
Becker

(10) **Patent No.:** **US D635,249 S**

(45) **Date of Patent:** **** Mar. 29, 2011**

(54) **SYRINGE**

(76) Inventor: **Bruce Becker**, Encino, CA (US)

(**) Term: **14 Years**

(21) Appl. No.: **29/350,021**

(22) Filed: **Nov. 10, 2009**

(51) **LOC (9) Cl.** **24-02**

(52) **U.S. Cl.** **D24/114**

(58) **Field of Classification Search** D24/112-114,
D24/133, 186, 104, 130, 127; 606/181, 185;
604/504, 232, 187, 158, 164.08, 192, 263,
604/163, 181, 184, 198, 227, 264
See application file for complete search history.

(56) **References Cited**

U.S. PATENT DOCUMENTS

D284,306	S	*	6/1986	Moore, Jr.	D24/130
4,784,641	A	*	11/1988	White	D24/114
5,074,848	A	*	12/1991	Burt et al.	604/263
5,151,089	A	*	9/1992	Kirk et al.	604/263
D347,688	S	*	6/1994	Adams	D24/130
5,320,608	A	*	6/1994	Gerrone	604/264
5,395,345	A	*	3/1995	Gross	604/187
D366,698	S	*	1/1996	Stiehl et al.	D24/114
5,498,243	A	*	3/1996	Vallelunga et al.	604/198
D383,205	S	*	9/1997	Pagay et al.	D24/112
6,213,987	B1	*	4/2001	Hirsch et al.	604/263
D447,797	S	*	9/2001	Odell et al.	D24/112

D460,820	S	*	7/2002	Niedospial, Jr.	D24/130
6,645,182	B1	*	11/2003	Szabo	604/192
D506,829	S	*	6/2005	Baker et al.	D24/130
7,041,086	B2	*	5/2006	Yang	604/198
D578,210	S	*	10/2008	Muta et al.	D24/114
D581,527	S	*	11/2008	Jansen	D24/130
7,704,426	B2	*	4/2010	Earhart et al.	604/181
D625,805	S	*	10/2010	Hereford	D24/130

* cited by examiner

Primary Examiner — David G Muller

(74) *Attorney, Agent, or Firm* — Cermak Nakajima LLP;
Adam J. Cermak

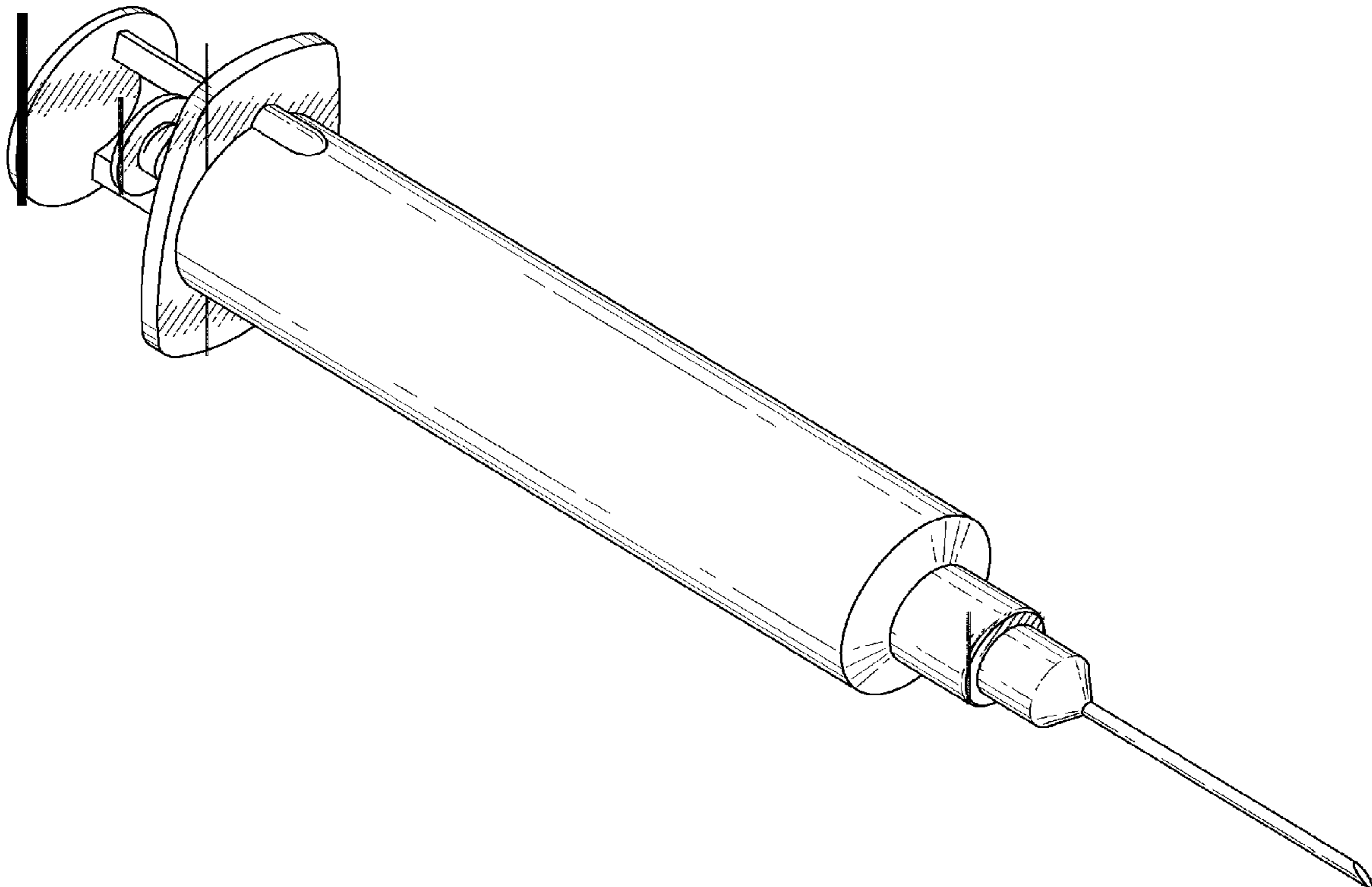
(57) **CLAIM**

The ornamental design for syringe, as shown.

DESCRIPTION

FIG. 1 is a top, right, front perspective view of a syringe showing my new design;
FIG. 2 is a top plan view of the syringe shown in FIG. 1;
FIG. 3 is a bottom plan view of the syringe shown in FIG. 1;
FIG. 4 is a right side elevational view of the syringe shown in FIG. 1;
FIG. 5 is a left side elevational view of the syringe shown in FIG. 1;
FIG. 6 is a rear elevational view of the syringe shown in FIG. 1; and,
FIG. 7 is a front elevational view of the syringe shown in FIG. 1.

1 Claim, 4 Drawing Sheets



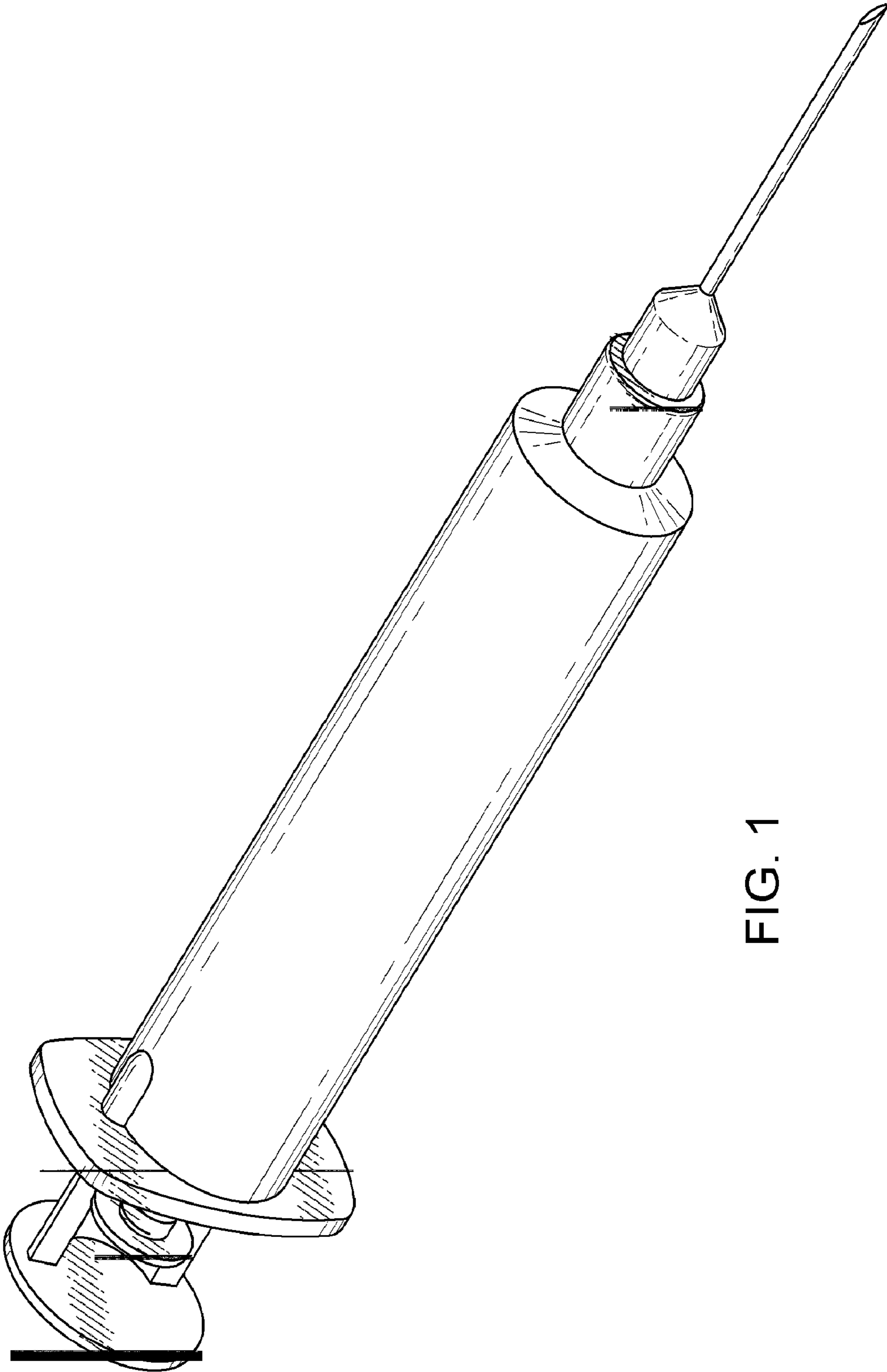


FIG. 1

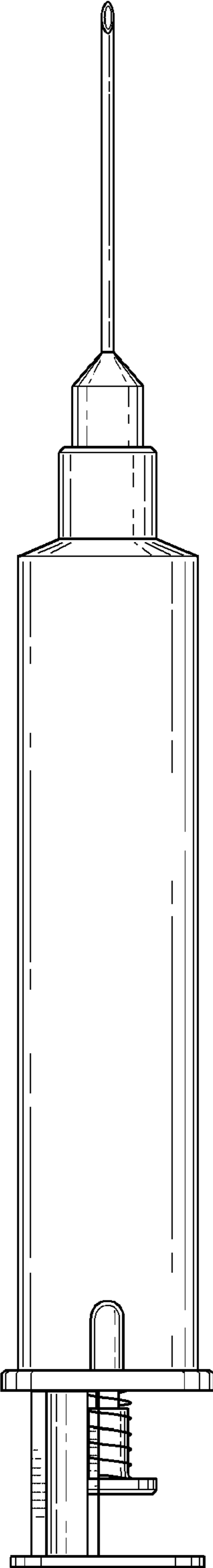


FIG. 2

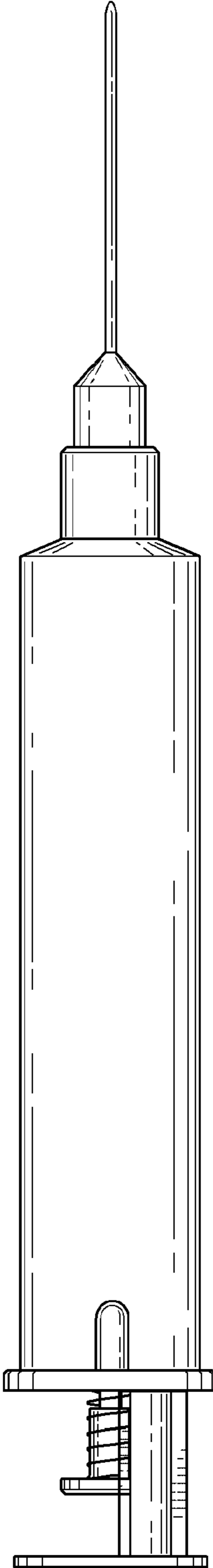


FIG. 3

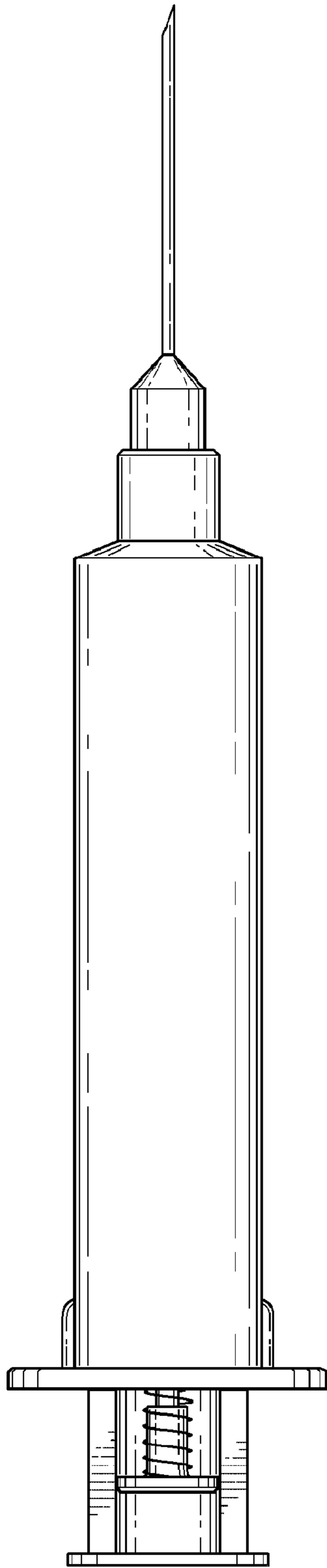


FIG. 4

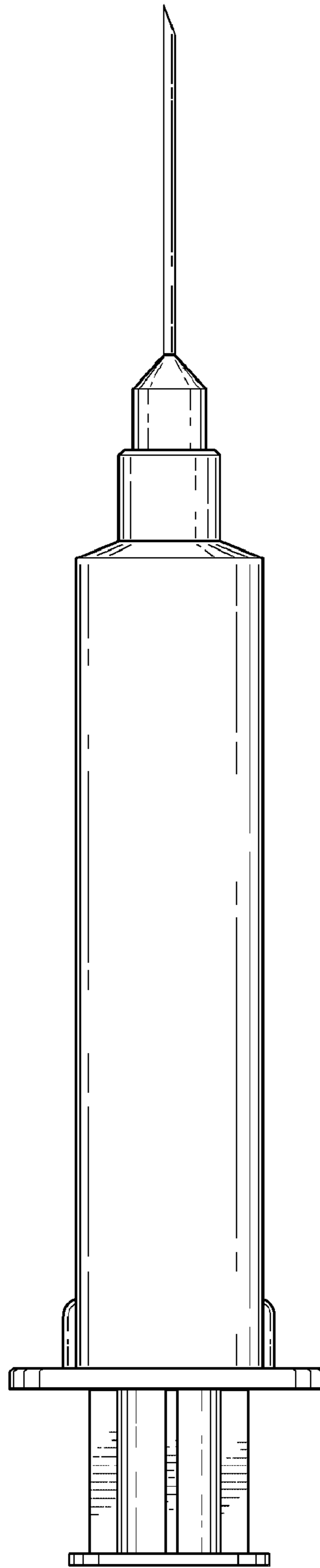


FIG. 5

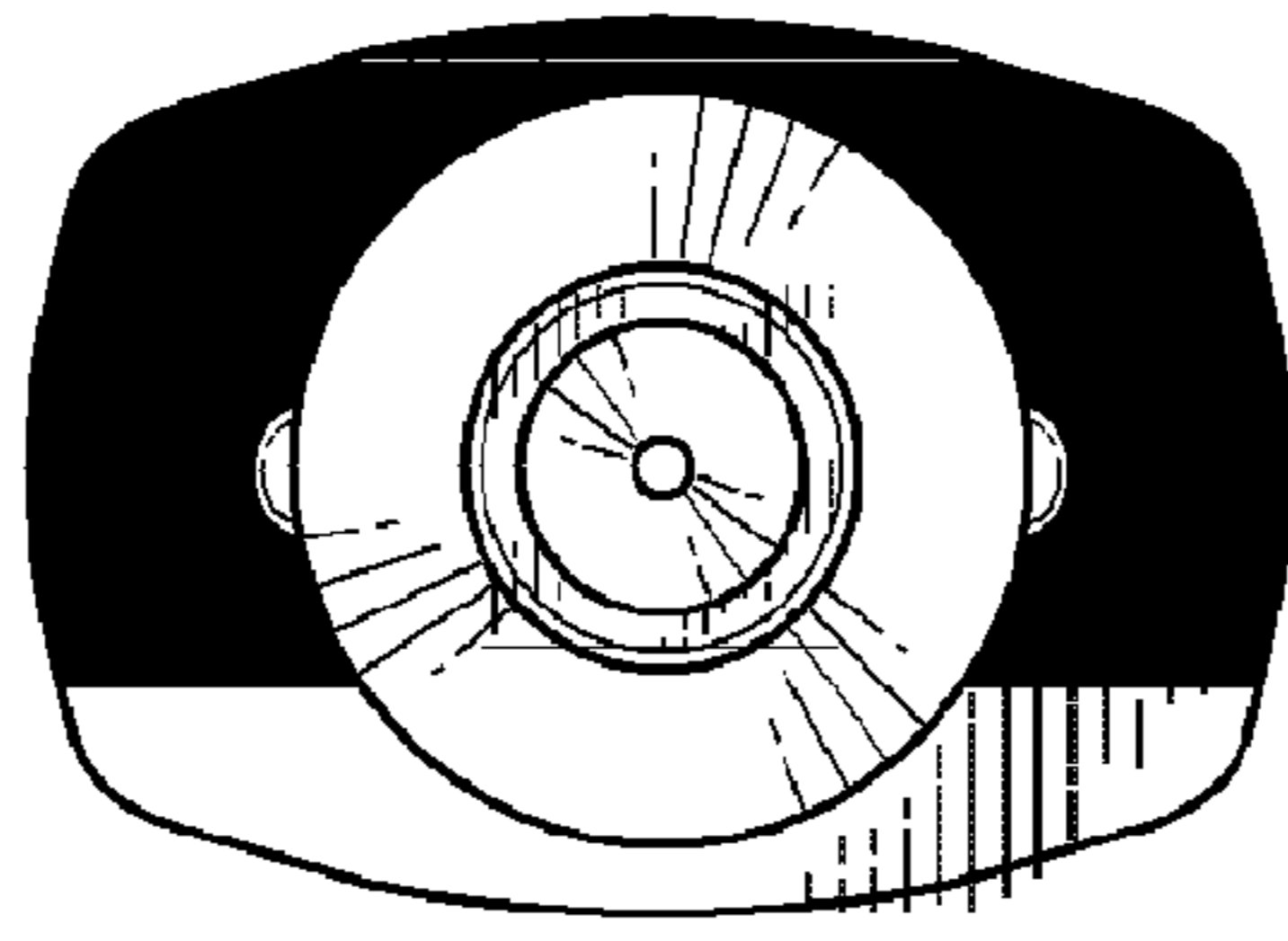


FIG. 7

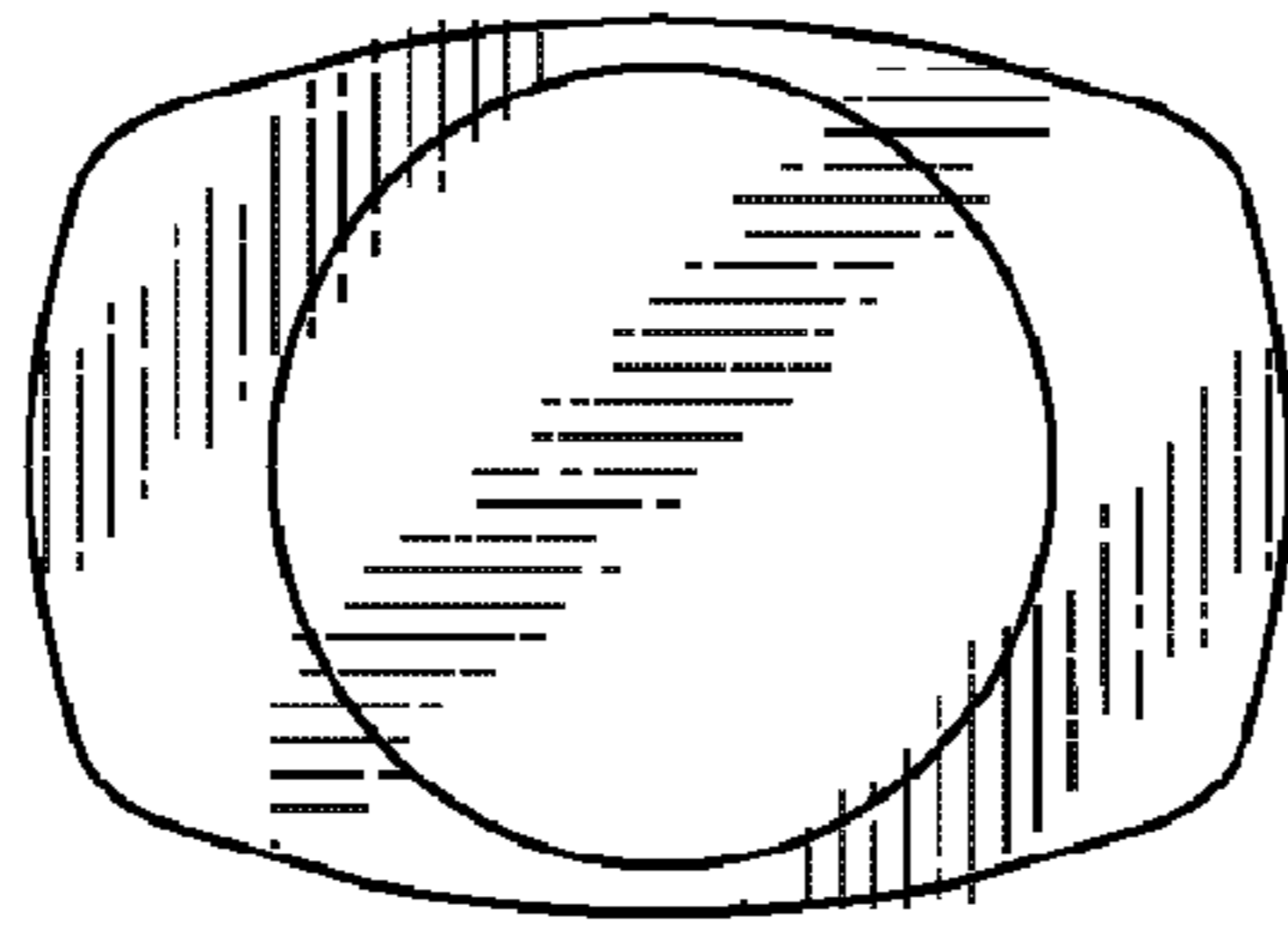


FIG. 6

UNITED STATES PATENT AND TRADEMARK OFFICE
CERTIFICATE OF CORRECTION

PATENT NO. : D635,249 S
APPLICATION NO. : 29/350021
DATED : March 29, 2011
INVENTOR(S) : Becker

Page 1 of 4

It is certified that error appears in the above-identified patent and that said Letters Patent is hereby corrected as shown below:

The Title page;

The Title page, showing the illustrative figure, should be deleted and substitute therefor the attached Title page.

Delete figs. 1, 6 and 7 and substitute therefor the drawing sheets, consisting of figs. 1, 6 and 7 as shown on the attached page.

Signed and Sealed this
Sixteenth Day of August, 2011

A handwritten signature in black ink that reads "David J. Kappos". The signature is written in a cursive style with a large initial "D" and "K".

David J. Kappos
Director of the United States Patent and Trademark Office

(12) **United States Design Patent**
Becker

(10) **Patent No.:** **US D635,249 S**
(45) **Date of Patent:** **** Mar. 29, 2011**

(54) **SYRINGE**

(76) Inventor: **Bruce Becker**, Encino, CA (US)

(**) Term: **14 Years**

(21) Appl. No.: **29/350,021**

(22) Filed: **Nov. 10, 2009**

(51) **LOC (9) Cl.** **24-02**

(52) **U.S. Cl.** **D24/114**

(58) **Field of Classification Search** D24/112-114,
D24/133, 186, 104, 130, 127; 606/181, 185;
604/504, 232, 187, 158, 164.08, 192, 263,
604/163, 181, 184, 198, 227, 264

See application file for complete search history.

(56) **References Cited**

U.S. PATENT DOCUMENTS

D284,306	S *	6/1986	Moore, Jr.	D24/130
4,784,641	A *	11/1988	White	D24/114
5,074,848	A *	12/1991	Burt et al.	604/263
5,151,089	A *	9/1992	Kirk et al.	604/263
D347,688	S *	6/1994	Adams	D24/130
5,320,608	A *	6/1994	Gerrone	604/264
5,395,345	A *	3/1995	Gross	604/187
D366,698	S *	1/1996	Stiehl et al.	D24/114
5,498,243	A *	3/1996	Vallelunga et al.	604/198
D383,205	S *	9/1997	Pagay et al.	D24/112
6,213,987	B1 *	4/2001	Hirsch et al.	604/263
D447,797	S *	9/2001	Odell et al.	D24/112

D460,820	S *	7/2002	Niedospial, Jr.	D24/130
6,645,182	B1 *	11/2003	Szabo	604/192
D506,829	S *	6/2005	Baker et al.	D24/130
7,041,086	B2 *	5/2006	Yang	604/198
D578,210	S *	10/2008	Muta et al.	D24/114
D581,527	S *	11/2008	Jansen	D24/130
7,704,426	B2 *	4/2010	Earhart et al.	604/181
D625,805	S *	10/2010	Hereford	D24/130

* cited by examiner

Primary Examiner — David G Muller

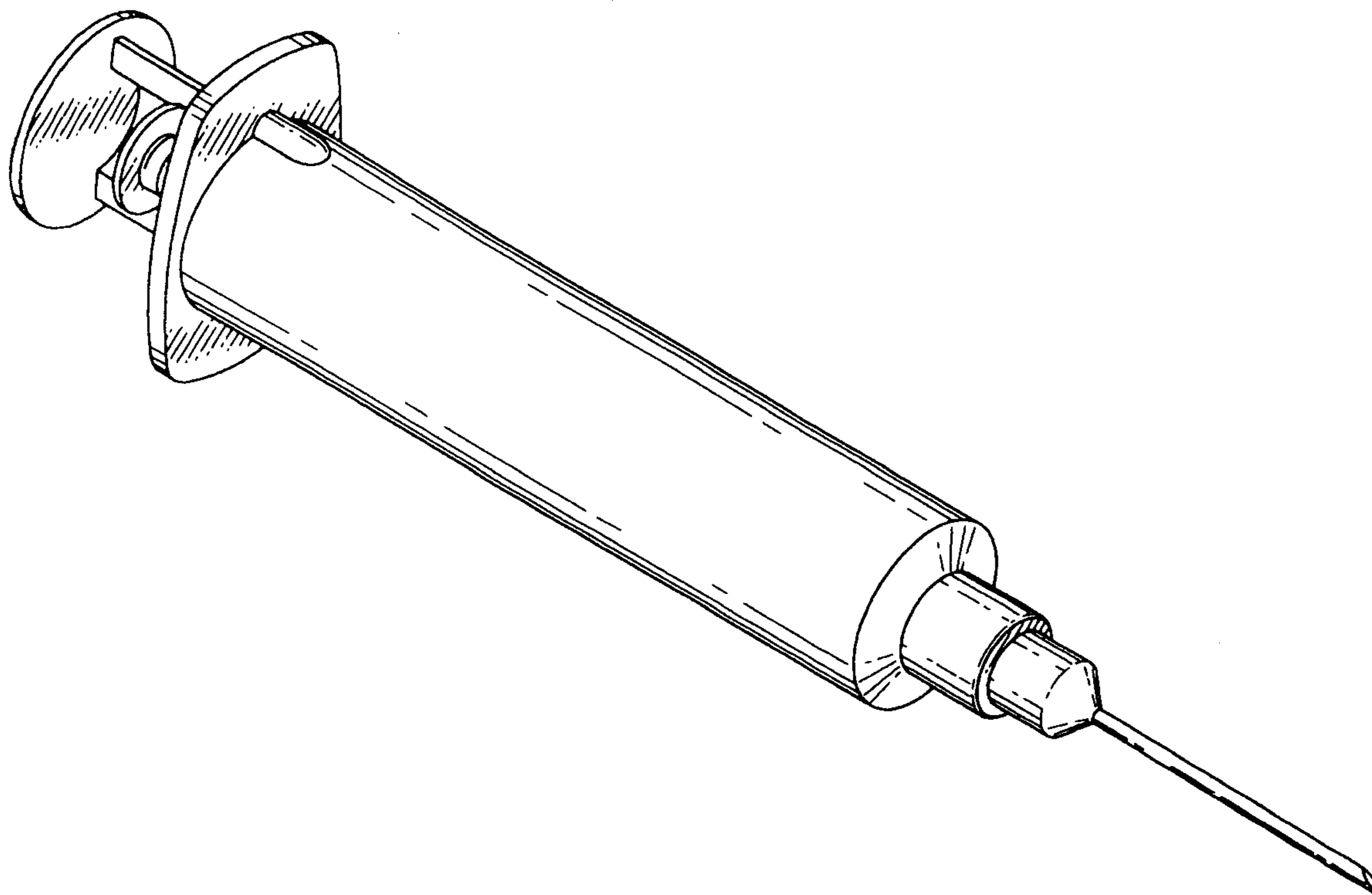
(74) *Attorney, Agent, or Firm* — Cermak Nakajima LLP;
Adam J. Cermak

(57) **CLAIM**
The ornamental design for syringe, as shown.

DESCRIPTION

FIG. 1 is a top, right, front perspective view of a syringe showing my new design;
FIG. 2 is a top plan view of the syringe shown in FIG. 1;
FIG. 3 is a bottom plan view of the syringe shown in FIG. 1;
FIG. 4 is a right side elevational view of the syringe shown in FIG. 1;
FIG. 5 is a left side elevational view of the syringe shown in FIG. 1;
FIG. 6 is a rear elevational view of the syringe shown in FIG. 1; and,
FIG. 7 is a front elevational view of the syringe shown in FIG. 1.

1 Claim, 4 Drawing Sheets



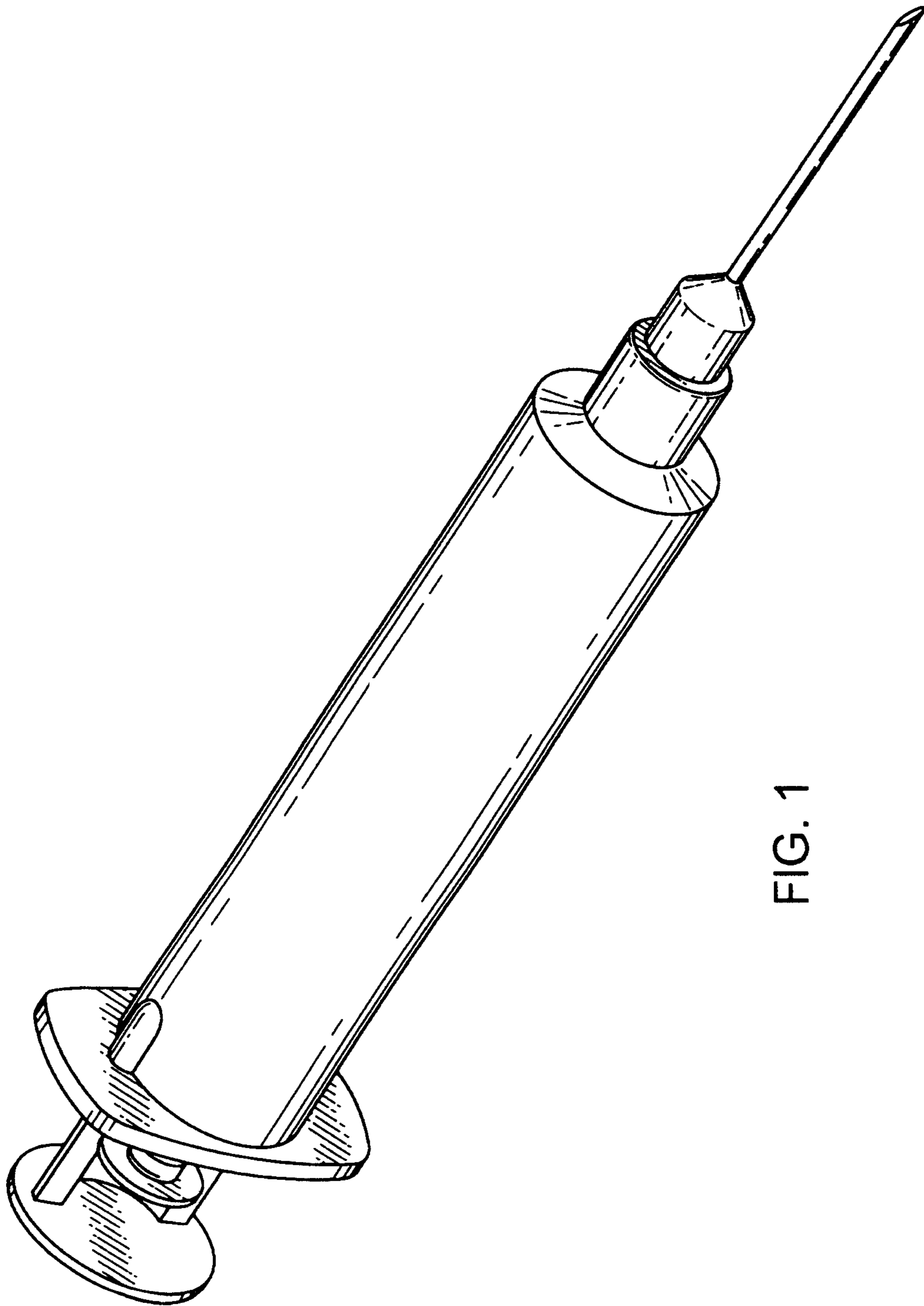


FIG. 1

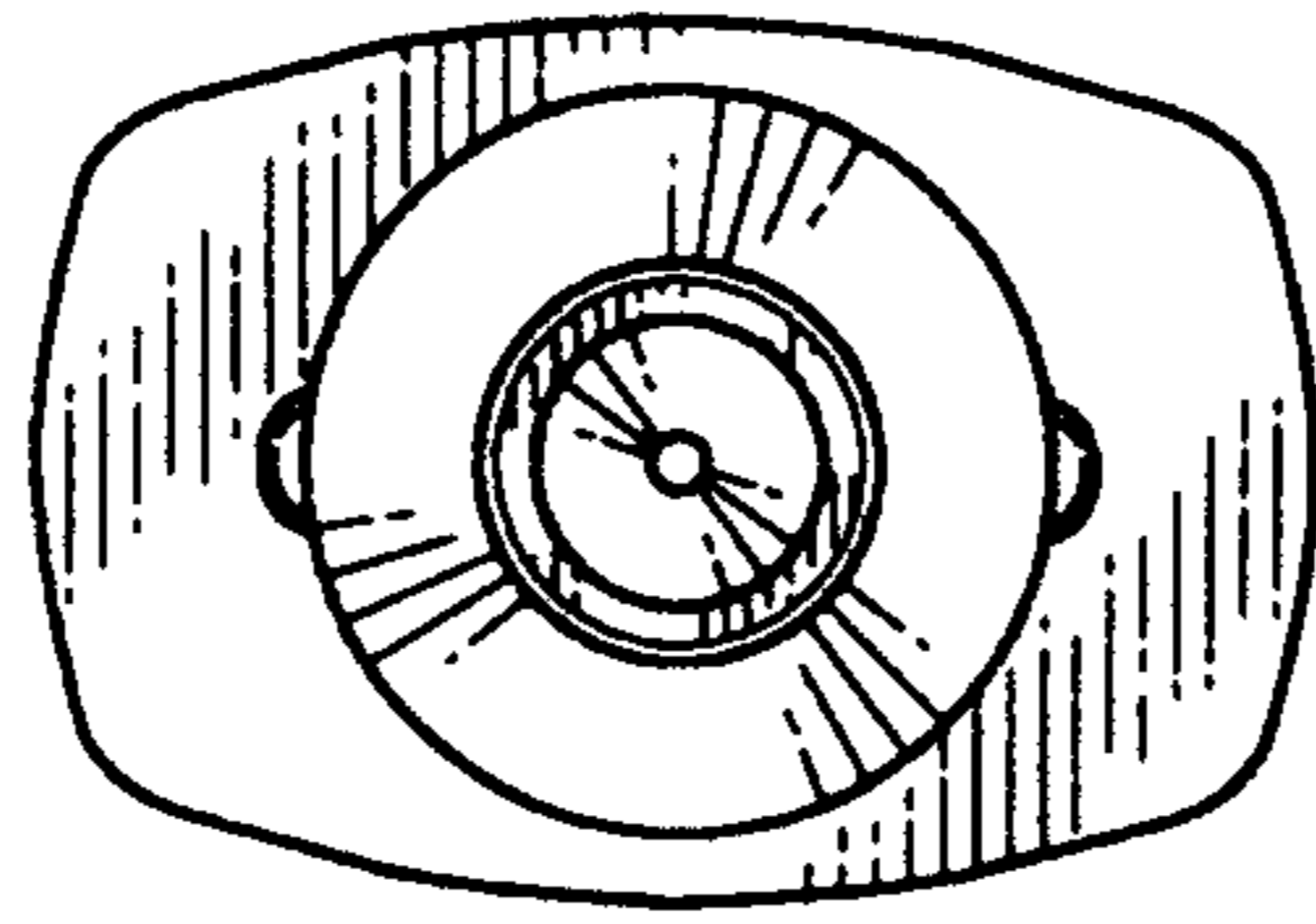


FIG. 7

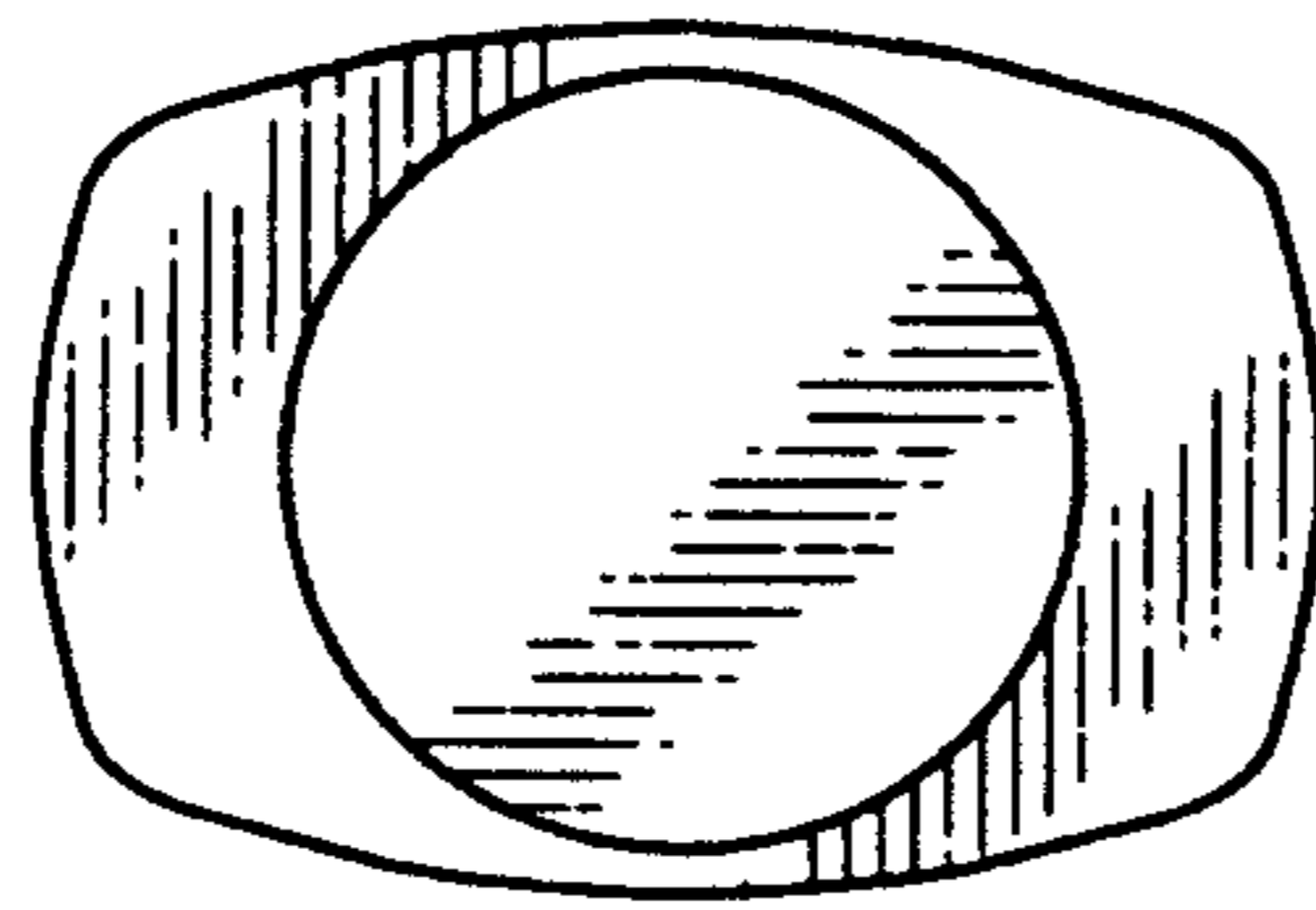


FIG. 6