



US00D635247S

(12) **United States Design Patent**
Scheiner et al.

(10) **Patent No.:** **US D635,247 S**

(45) **Date of Patent:** **** Mar. 29, 2011**

(54) **HEADGEAR CONNECTOR FOR MASK**

(75) Inventors: **Rupert Christian Scheiner**, Davidson (AU); **Steven John Lubke**, Stanmore (AU); **Scott Alexander Howard**, Harbord (AU); **Christopher Scott Skipper**, North Ryde (AU); **Gregory Scott Smart**, Randwick (AU); **Timothy Shawn Nelson**, Marrickville (AU); **Alison Oldenburg**, Crows Nest (AU); **Michael John Reid**, Stanmore (AU)

(73) Assignee: **ResMed Limited**, Bella Vista (AU)

(**) Term: **14 Years**

(21) Appl. No.: **29/266,941**

(22) Filed: **Oct. 2, 2006**

(51) **LOC (9) Cl.** **24-02**

(52) **U.S. Cl.** **D24/110.1**

(58) **Field of Classification Search** D24/108-110.5;
128/206.12, 206.19, 206.27, 205.25
See application file for complete search history.

(56) **References Cited**

U.S. PATENT DOCUMENTS

443,191	A	12/1890	Illing	
D439,326	S *	3/2001	Hecker et al.	D24/110.5
6,644,315	B2	11/2003	Ziaee	
D568,985	S *	5/2008	Chandran et al.	D24/110.1
D583,048	S *	12/2008	Chandran et al.	D24/110.1
D583,049	S *	12/2008	Chandran et al.	D24/110.1
D586,910	S *	2/2009	Chandran et al.	D24/110.1
D594,111	S *	6/2009	Reid et al.	D24/110.1
D595,840	S *	7/2009	Davidson et al.	D24/110.1
D597,659	S *	8/2009	Chandran et al.	D24/110.1
D614,288	S *	4/2010	Judson et al.	D24/110.1

D614,763	S *	4/2010	Maurer et al.	D24/110.1
D623,288	S *	9/2010	Lubke et al.	D24/110.1
2006/0124131	A1	6/2006	Chandran et al.	

OTHER PUBLICATIONS

U.S. Appl. No. 29/258,792, filed Apr. 2006.

U.S. Appl. No. 29/258,791, filed Apr. 2006.

* cited by examiner

Primary Examiner — Ian Simmons

Assistant Examiner — Charles D Hanson

(74) *Attorney, Agent, or Firm* — Nixon & Vanderhye P.C.

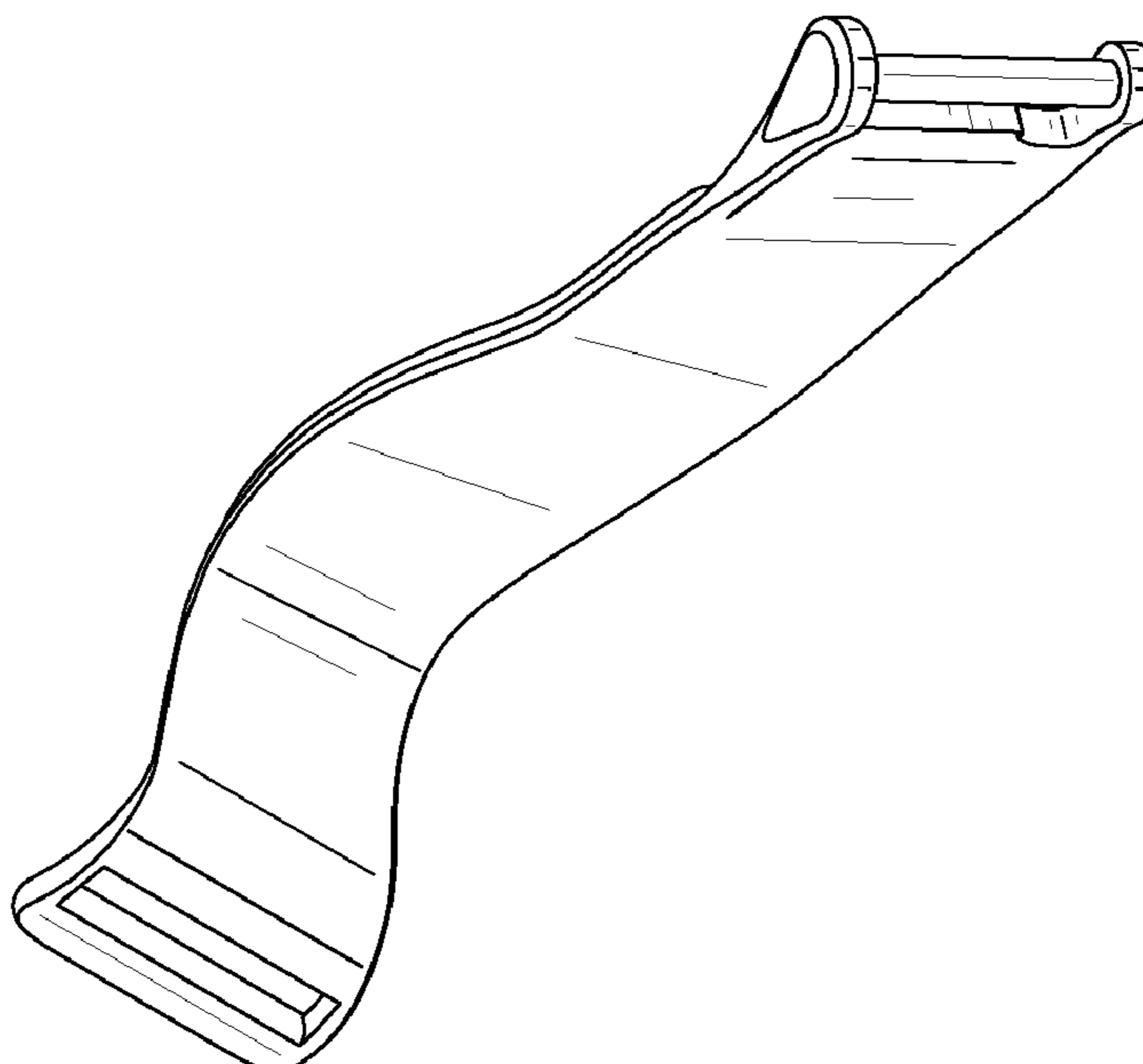
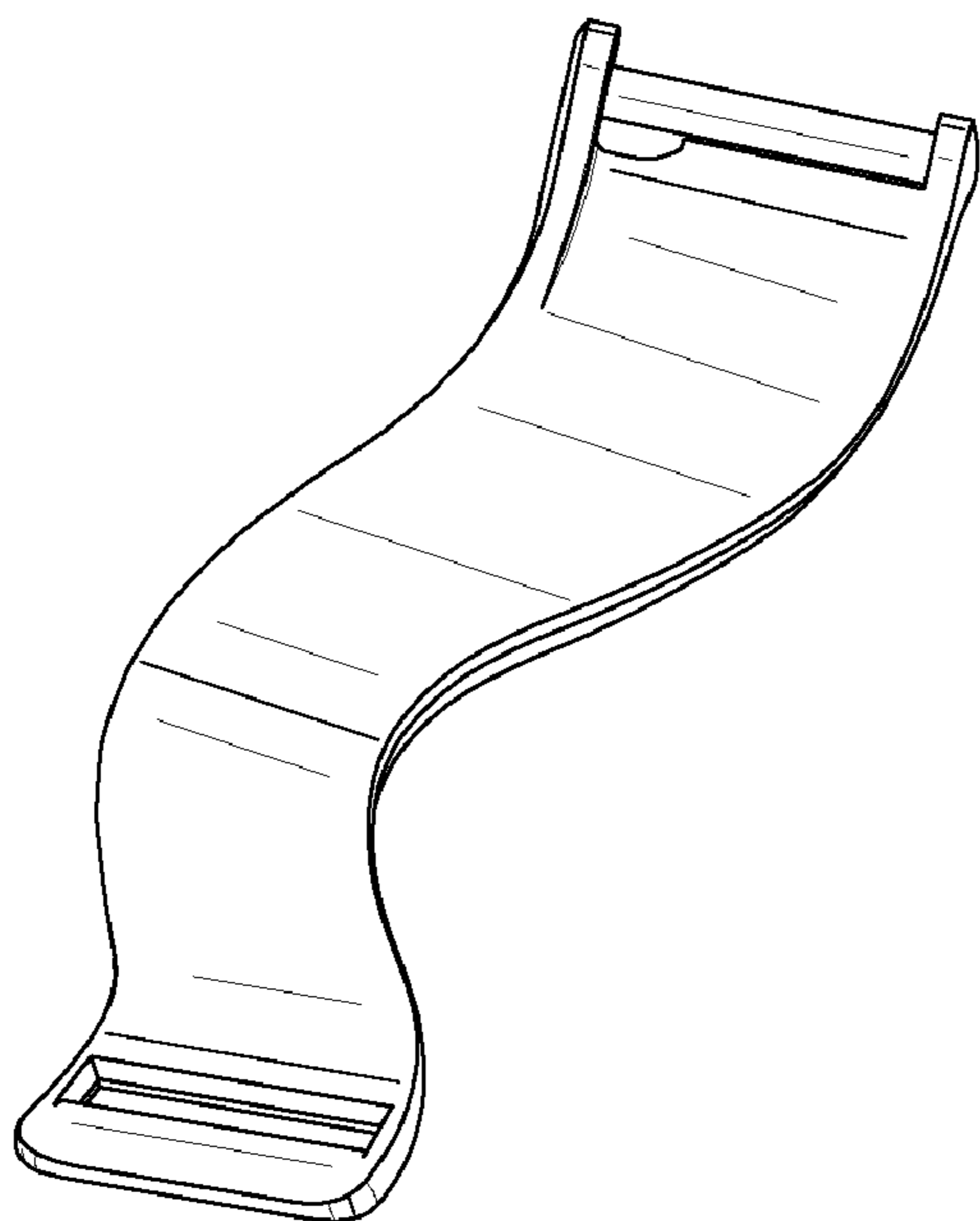
(57) **CLAIM**

The ornamental design for a headgear connector for mask, as shown.

DESCRIPTION

FIG. 1 is a front perspective view of a headgear connector for mask according to an embodiment of our design;
FIG. 2 is a reverse perspective view thereof;
FIG. 3 is a front view thereof;
FIG. 4 is a rear view thereof;
FIG. 5 is a top view thereof;
FIG. 6 is a bottom view thereof;
FIG. 7 is a left side view thereof;
FIG. 8 is a right side view thereof;
FIG. 9 is a front view of a headgear connector for mask according to another embodiment of our design;
FIG. 10 is a reverse perspective view thereof;
FIG. 11 is a front view thereof;
FIG. 12 is a rear view thereof;
FIG. 13 is a top view thereof;
FIG. 14 is a bottom view thereof;
FIG. 15 is a left side view thereof; and,
FIG. 16 is a right side view thereof.

1 Claim, 8 Drawing Sheets



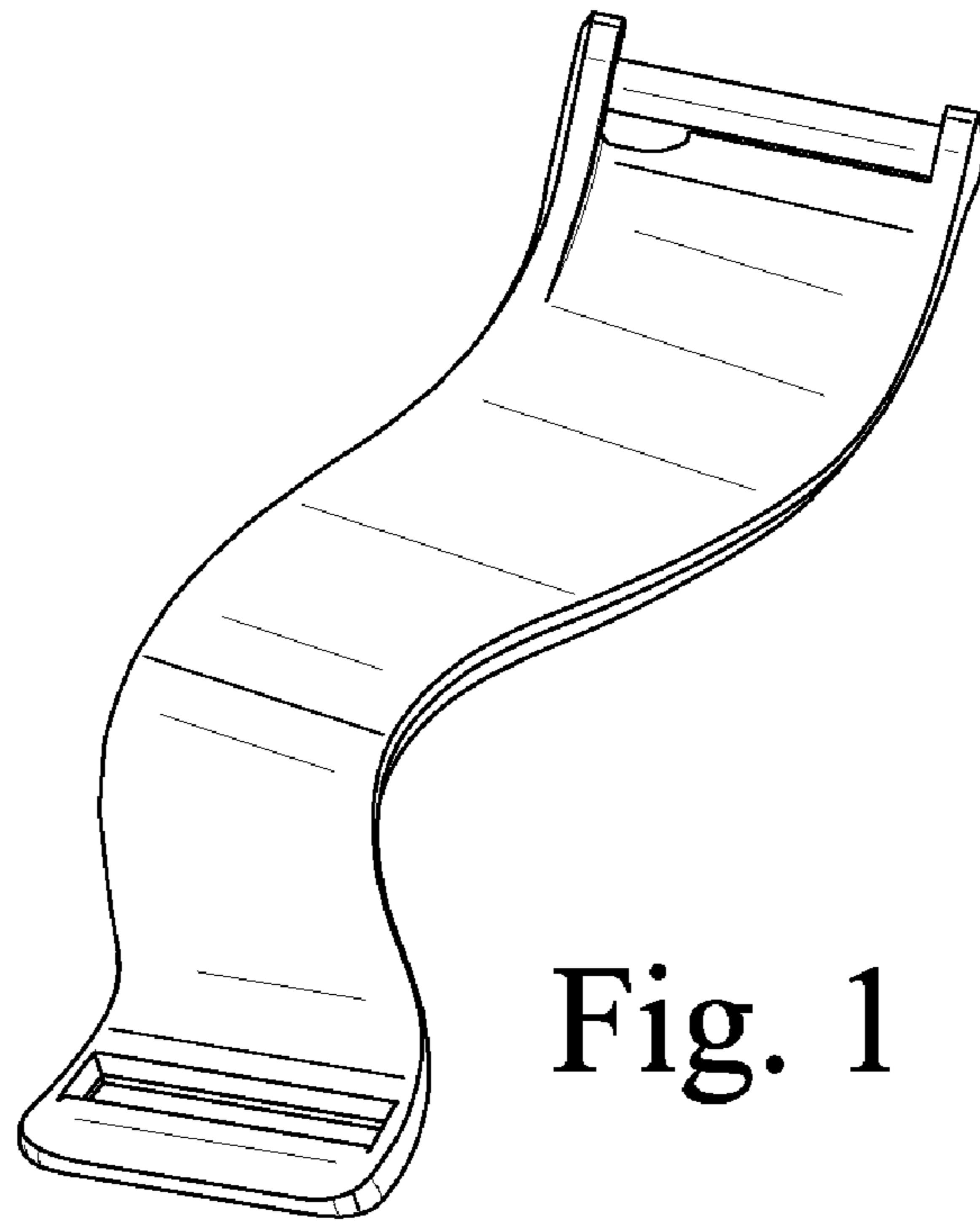


Fig. 1

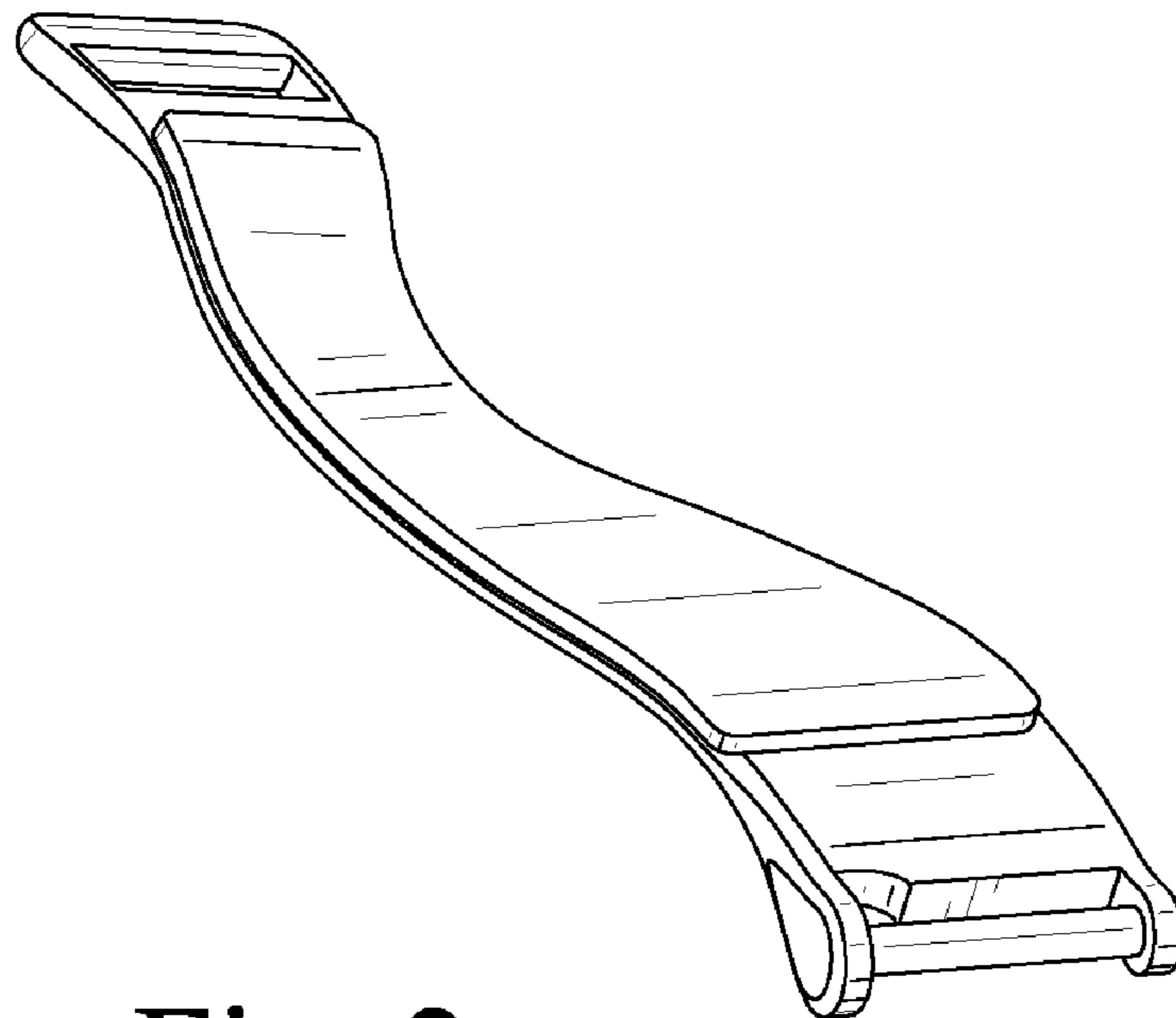


Fig. 2

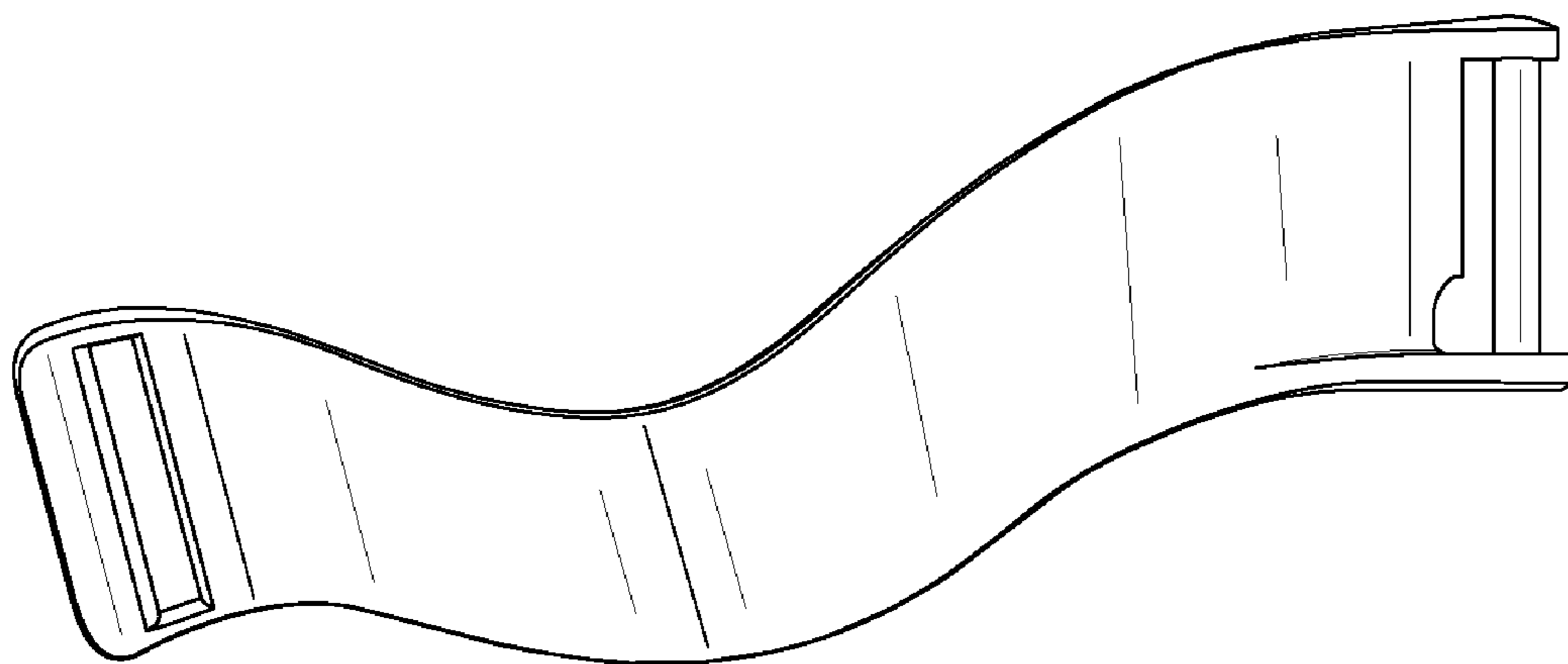


Fig. 3

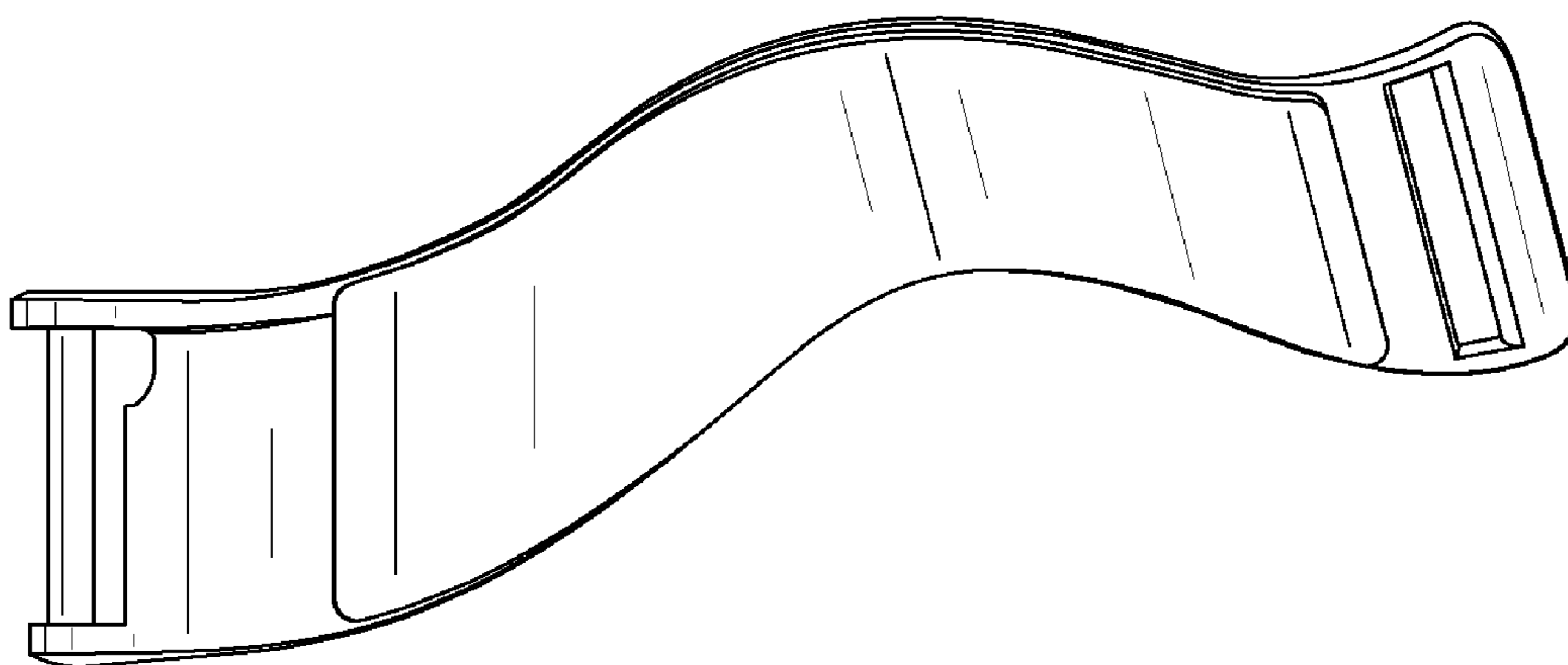


Fig. 4

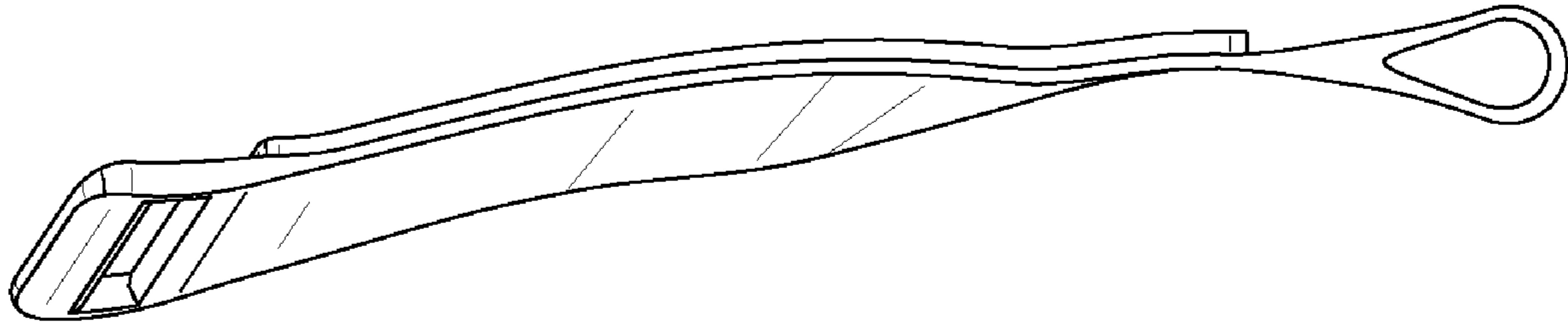


Fig. 5

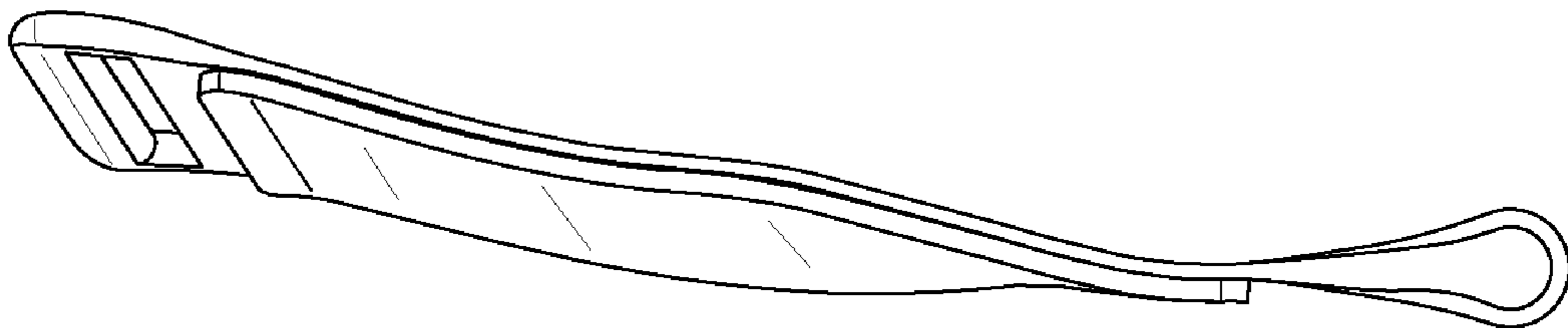


Fig. 6

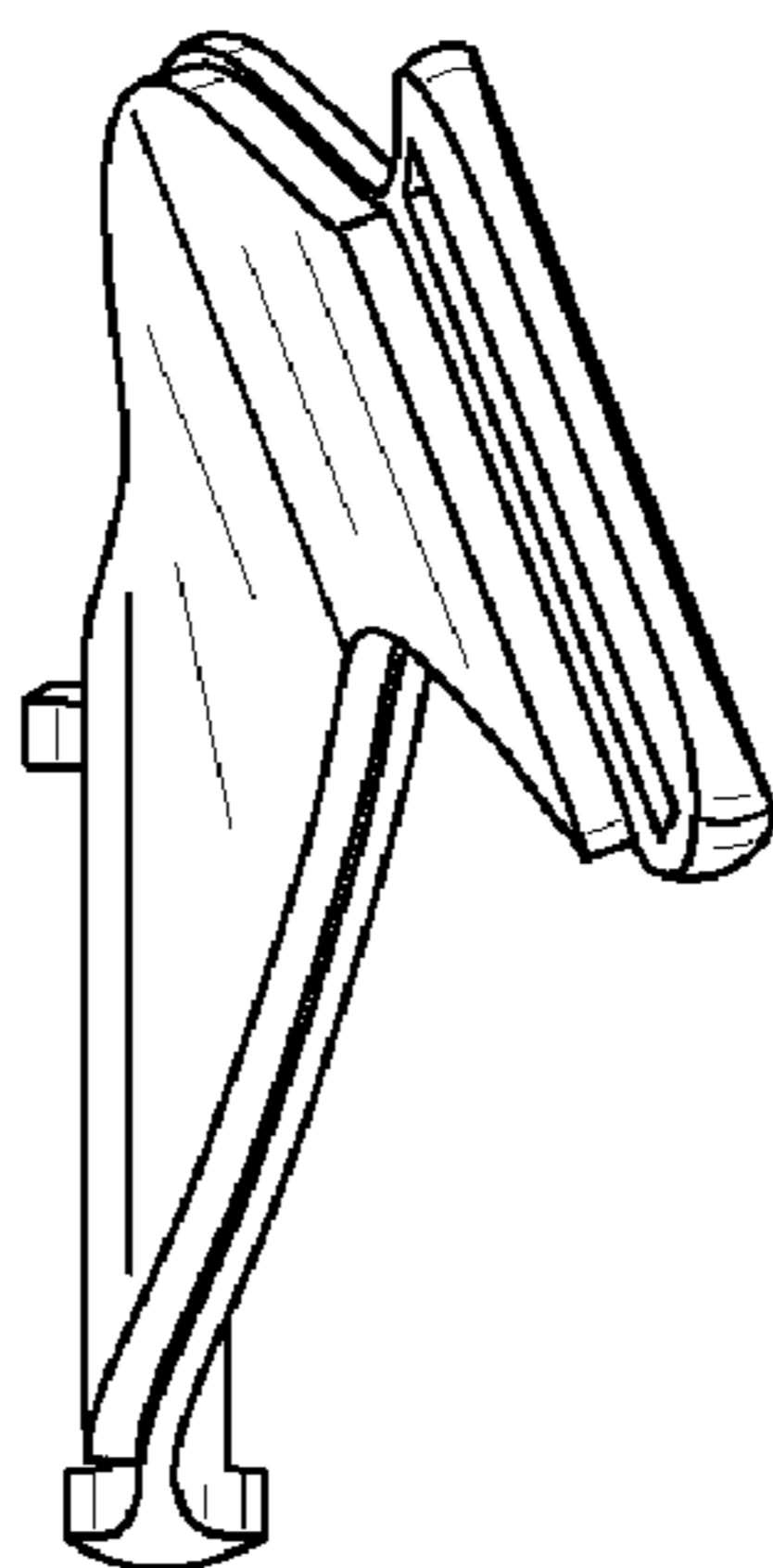


Fig. 7

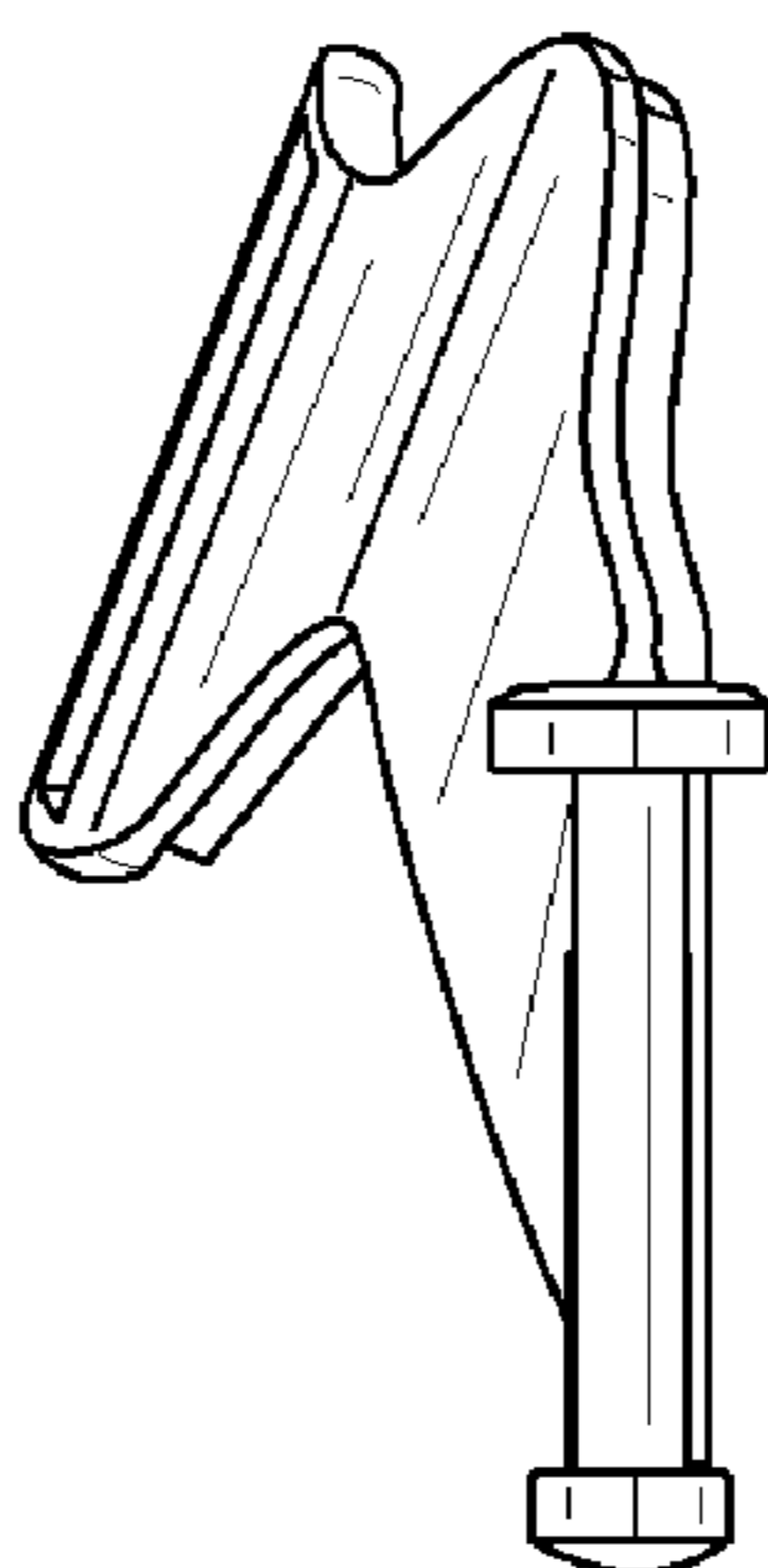


Fig. 8

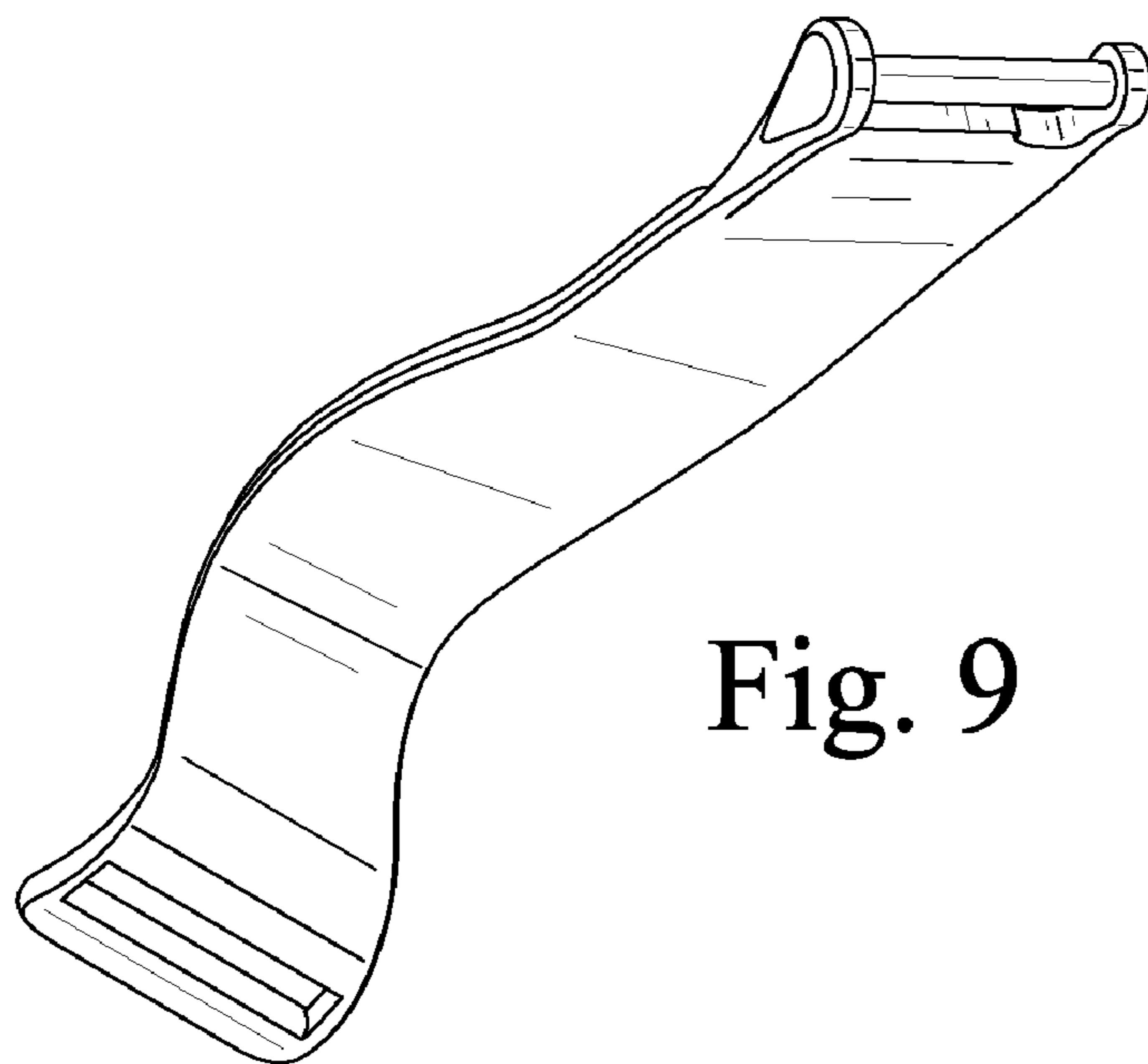


Fig. 9

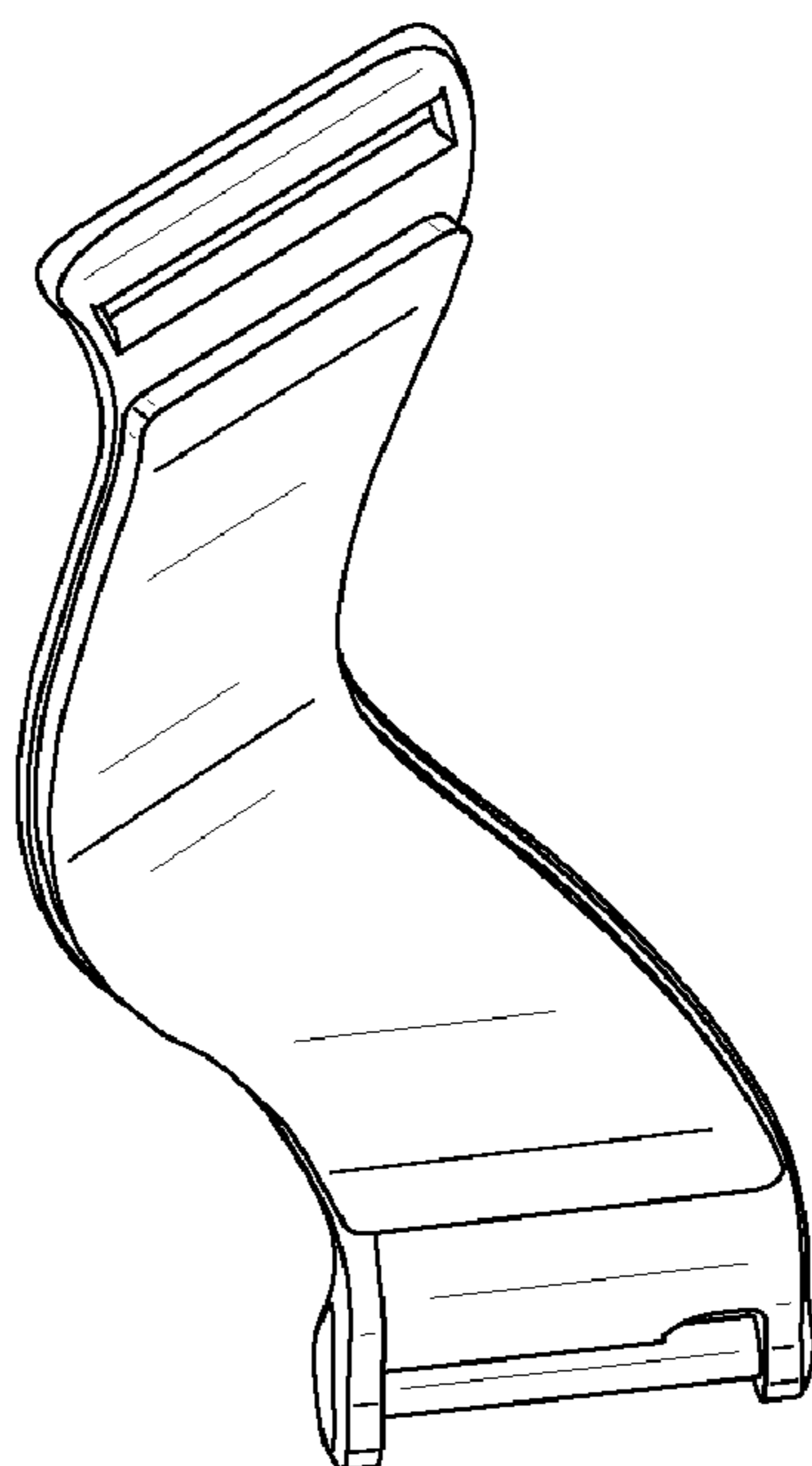


Fig. 10

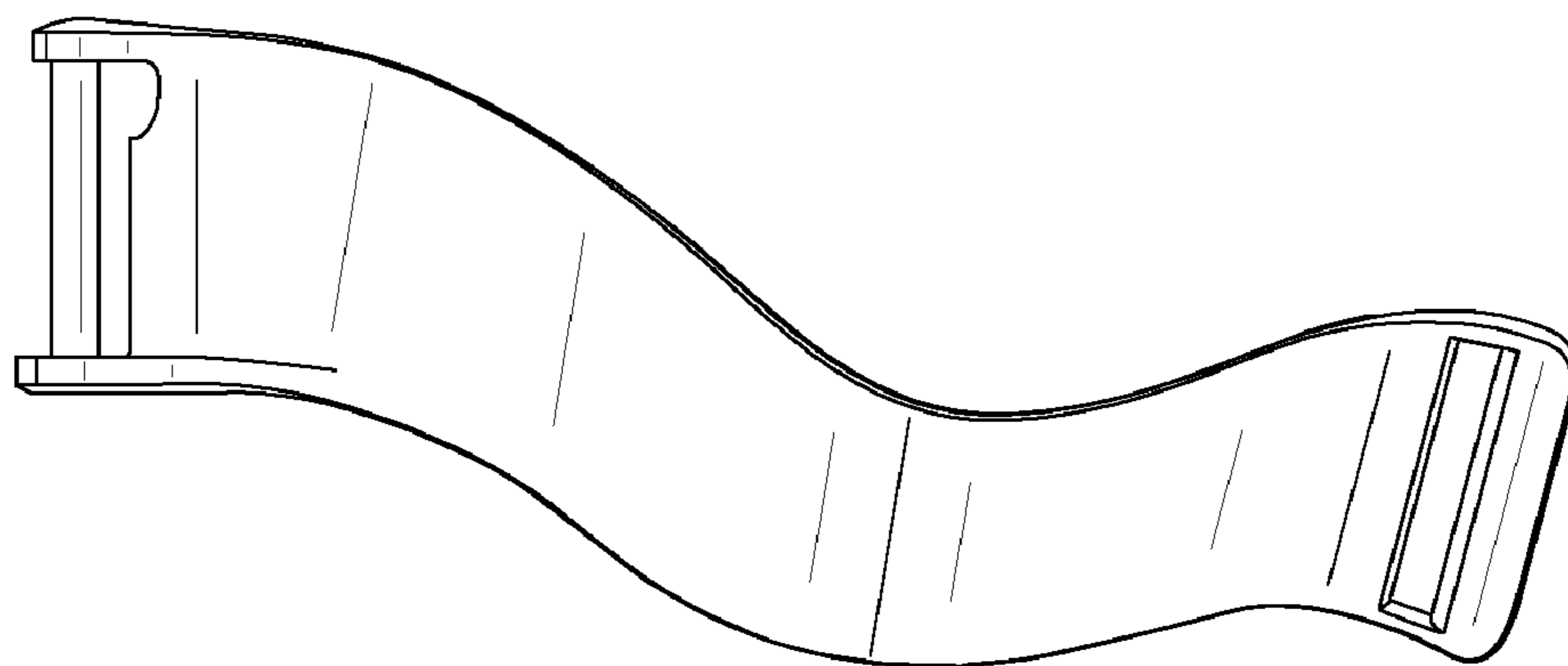


Fig. 11

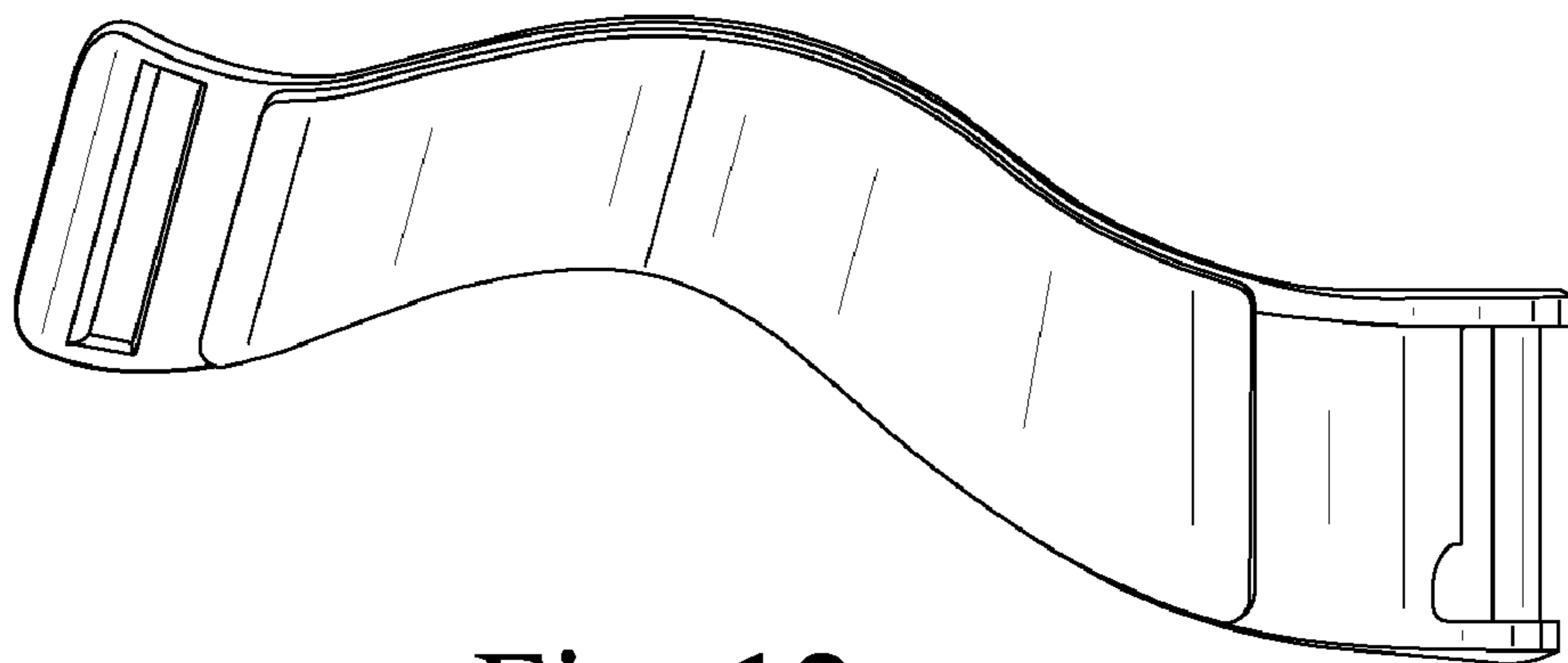


Fig. 12

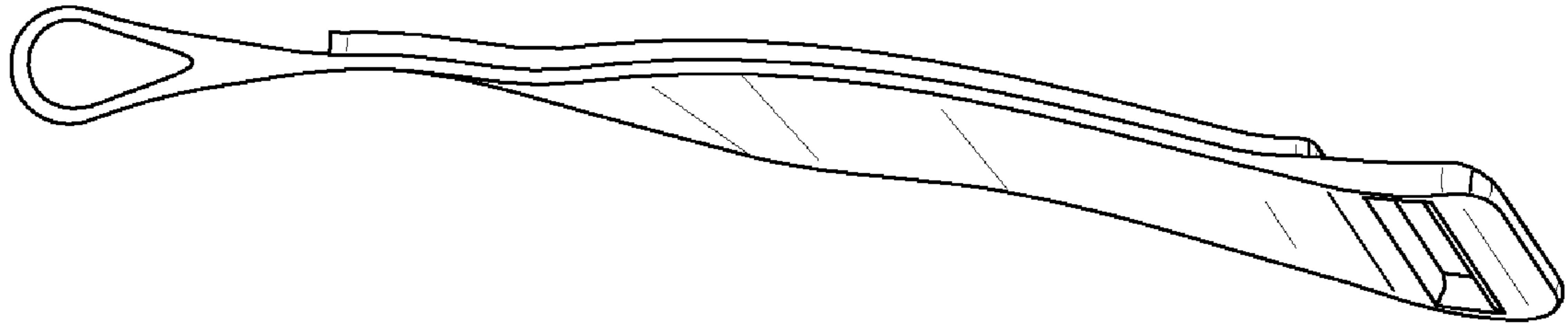


Fig. 13

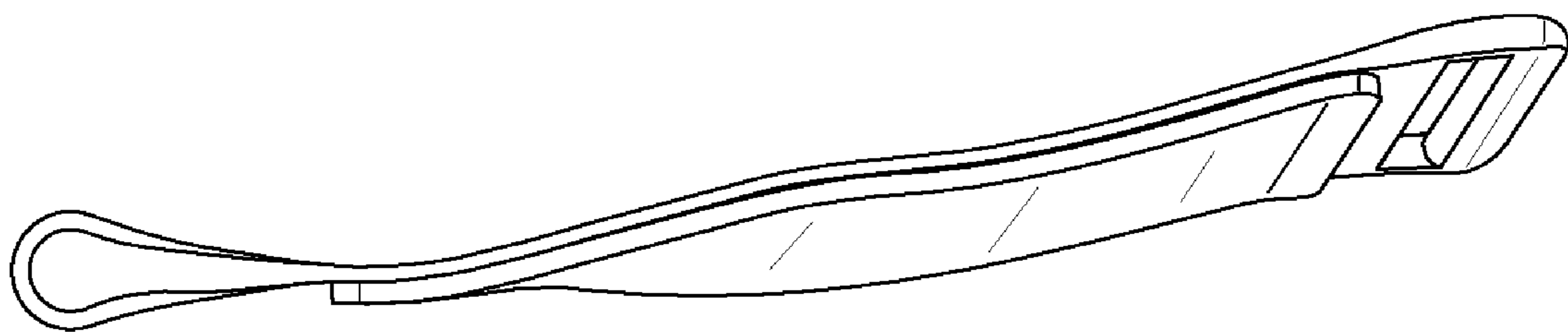


Fig. 14

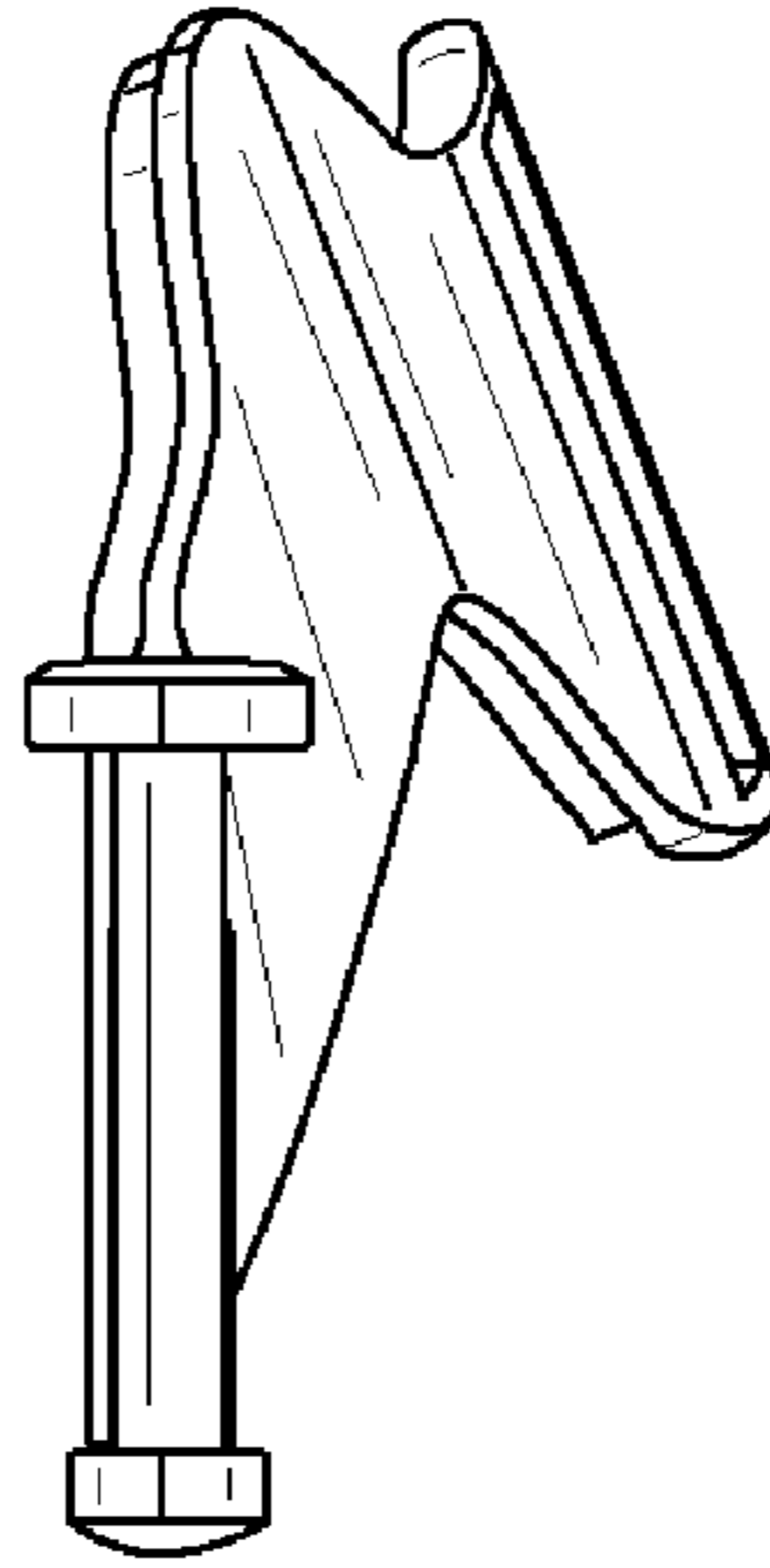


Fig. 15

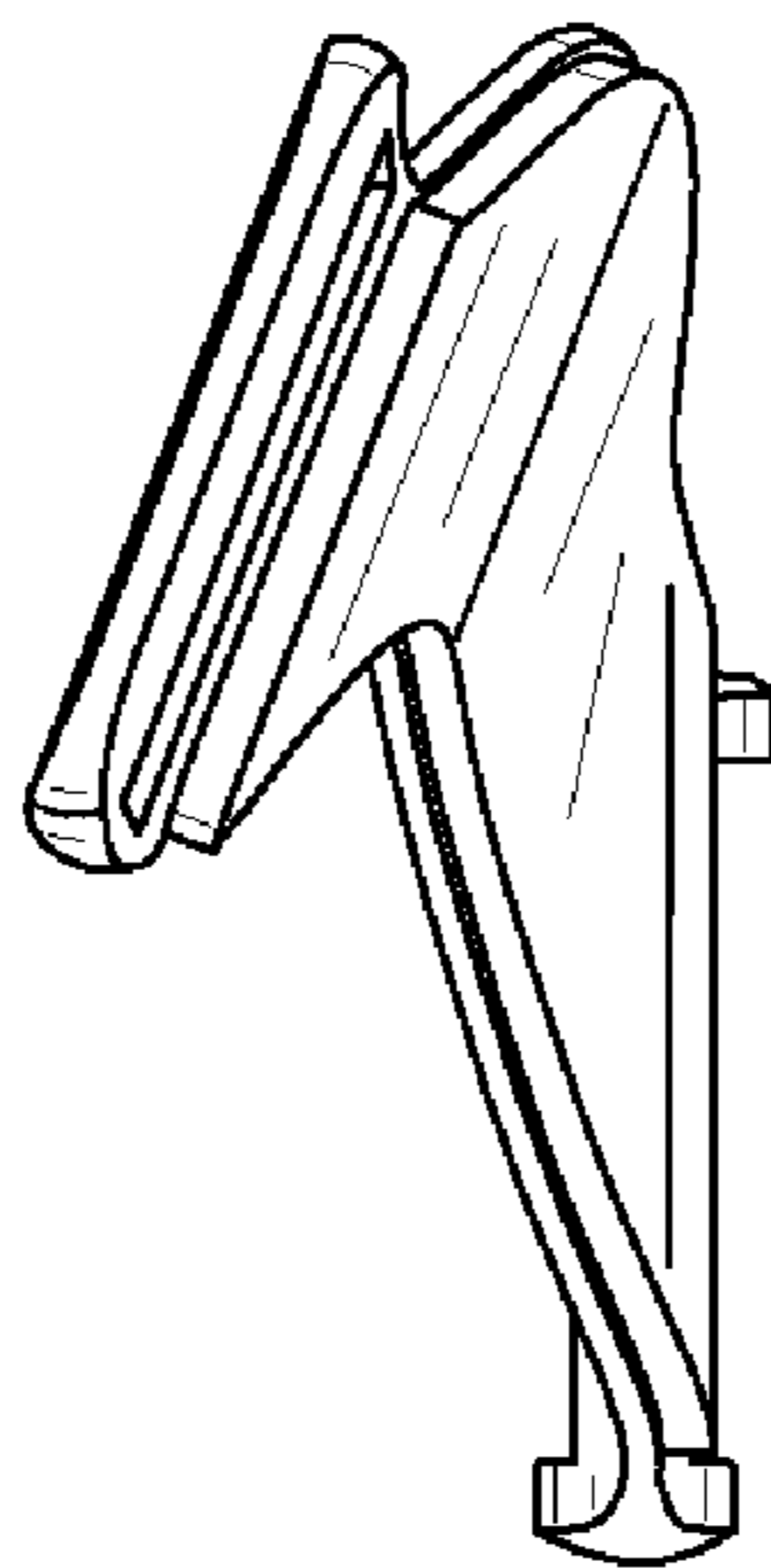


Fig. 16

UNITED STATES PATENT AND TRADEMARK OFFICE
CERTIFICATE OF CORRECTION

PATENT NO. : D635,247 S
APPLICATION NO. : 29/266941
DATED : March 29, 2011
INVENTOR(S) : Scheiner et al.

Page 1 of 1

It is certified that error appears in the above-identified patent and that said Letters Patent is hereby corrected as shown below:

On the Title page, change “(75) Inventors: Rupert Christian Scheiner, Davidson (AU); Steven John Lubke, Stanmore (AU); Scott Alexander Howard, Harbord (AU); Christopher Scott Skipper, North Ryde (AU); Gregory Scott Smart, Randwick (AU); Timothy Shawn Nelson, Marrickville (AU); Alison Oldenburg, Crows Nest (AU); Michael John Reid, Stanmore (AU)”

to

--(75) Inventors: Rupert Christian Scheiner, Davidson (AU); Steven John Lubke, Stanmore (AU); Christopher Scott Skipper, North Ryde (AU); James William Charles Vandyke, Belrose (AU)--.

Signed and Sealed this
Seventeenth Day of November, 2015



Michelle K. Lee
Director of the United States Patent and Trademark Office