



US00D635244S

(12) **United States Design Patent**
Virr et al.

(10) **Patent No.:** **US D635,244 S**
(45) **Date of Patent:** **** Mar. 29, 2011**

(54) **HUMIDIFIER TUB**

(75) Inventors: **Alexander Virr**, Balmain (AU); **John Michael Snow**, Busselton (AU); **Mark Bertinetti**, Ermington (AU); **Dan Kao**, Northbridge (AU); **Hargopal Verma**, Parramatta (AU); **Richard Llewelyn Jones**, Hornsby Heights (AU); **Ernie Wei-Chih Tsai**, Mortdale (AU)

(73) Assignee: **ResMed Limited**, Bella Vista (AU)

(**) Term: **14 Years**

(21) Appl. No.: **29/347,381**

(22) Filed: **Dec. 18, 2009**

(51) **LOC (9) Cl.** **29-02**

(52) **U.S. Cl.** **D24/110**

(58) **Field of Classification Search** D24/110,
D24/164; 128/200.24, 200.23, 200.22, 200.16,
128/200.14, 203.16, 203.17, 204.18, 204.23;
D23/355-566, 352, 369, 332, 333, 335, 336,
D23/342, 351; 422/120, 122; 55/356, 473,
55/504; 96/97; D14/188, 170, 172; 261/DIG. 17,
261/DIG. 65, DIG. 88, DIG. 31; D32/31;
D15/5

See application file for complete search history.

(56) **References Cited**

U.S. PATENT DOCUMENTS

D305,562 S *	1/1990	Martinez	D23/356
D374,479 S *	10/1996	Bucher et al.	D23/356
D377,212 S *	1/1997	Moore	D23/360
D419,658 S *	1/2000	Matchett et al.	D23/356
D427,675 S *	7/2000	Hansel	D24/110
D468,011 S *	12/2002	Lithgow et al.	D24/110

D517,672 S *	3/2006	Schmitt et al.	D23/365
D553,228 S *	10/2007	Virr et al.	D23/358
D557,407 S *	12/2007	Lithgow et al.	D24/110
D585,459 S *	1/2009	Jing	D15/5
D585,540 S *	1/2009	Lithgow et al.	D24/110
D593,190 S *	5/2009	Glass	D23/365
D612,480 S *	3/2010	Cork et al.	D24/110
D626,642 S	11/2010	Virr et al.		
D627,044 S	11/2010	Virr et al.		

OTHER PUBLICATIONS

U.S. Appl. No. 347,382, filed Dec. 18, 2009, Virr et al.

* cited by examiner

Primary Examiner — David G Muller

(74) *Attorney, Agent, or Firm* — Nixon & Vanderhye P.C.

(57) **CLAIM**

The ornamental design for a humidifier tub, as shown and described.

DESCRIPTION

FIG. 1 is a front perspective view of a humidifier tub for a respiratory apparatus according to our new ornamental design;

FIG. 2 is a front view thereof;

FIG. 3 is a rear view thereof;

FIG. 4 is a top view thereof;

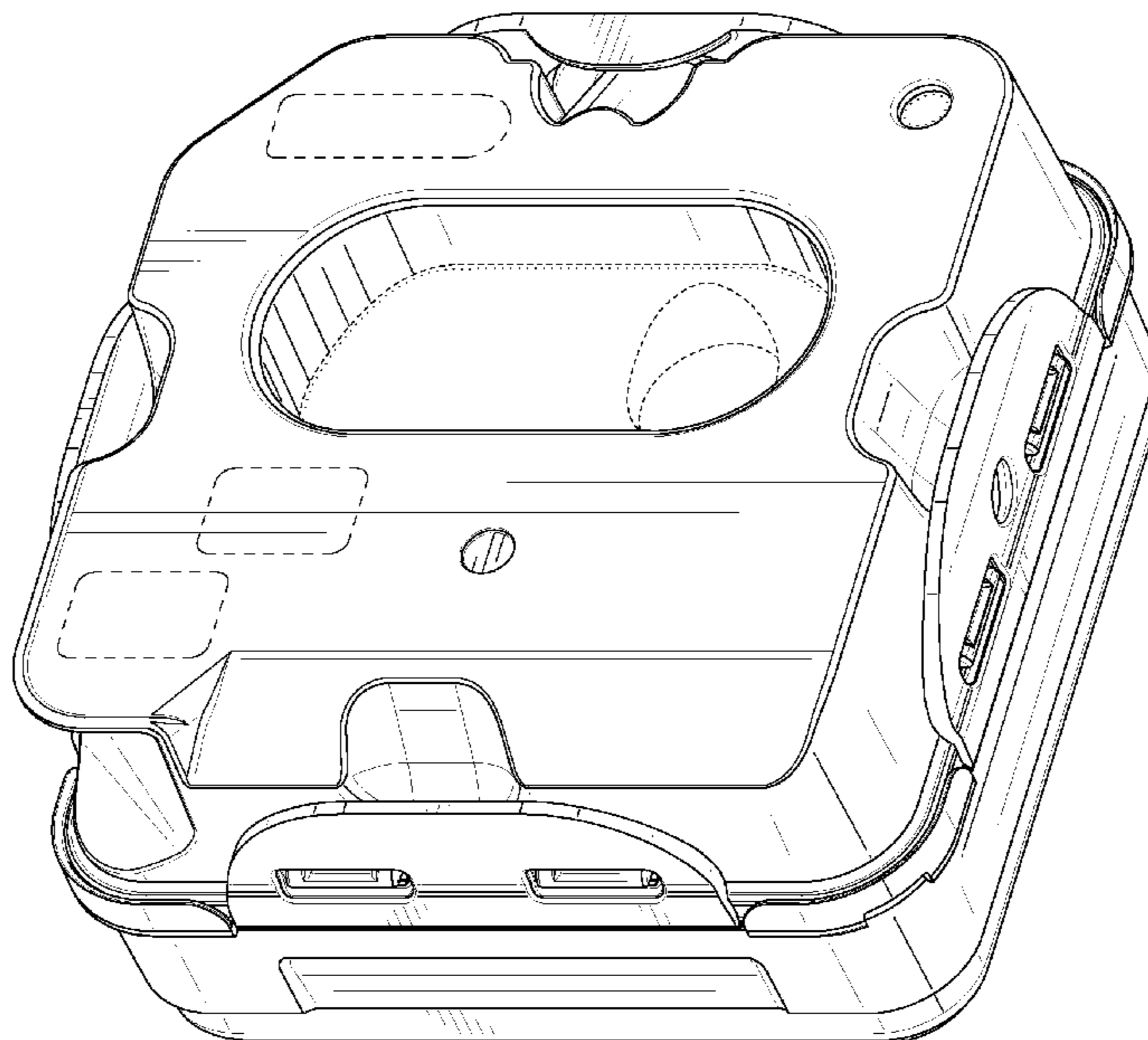
FIG. 5 is a bottom view thereof;

FIG. 6 is a left side view thereof; and,

FIG. 7 is a right side view thereof.

The broken lines of the humidifier tub represent environmental structure and do not form a part of the claimed design. The dotted lines of the humidifier tub represent the border between claimed and unclaimed subject matter and do not form a part of the claimed design.

1 Claim, 5 Drawing Sheets



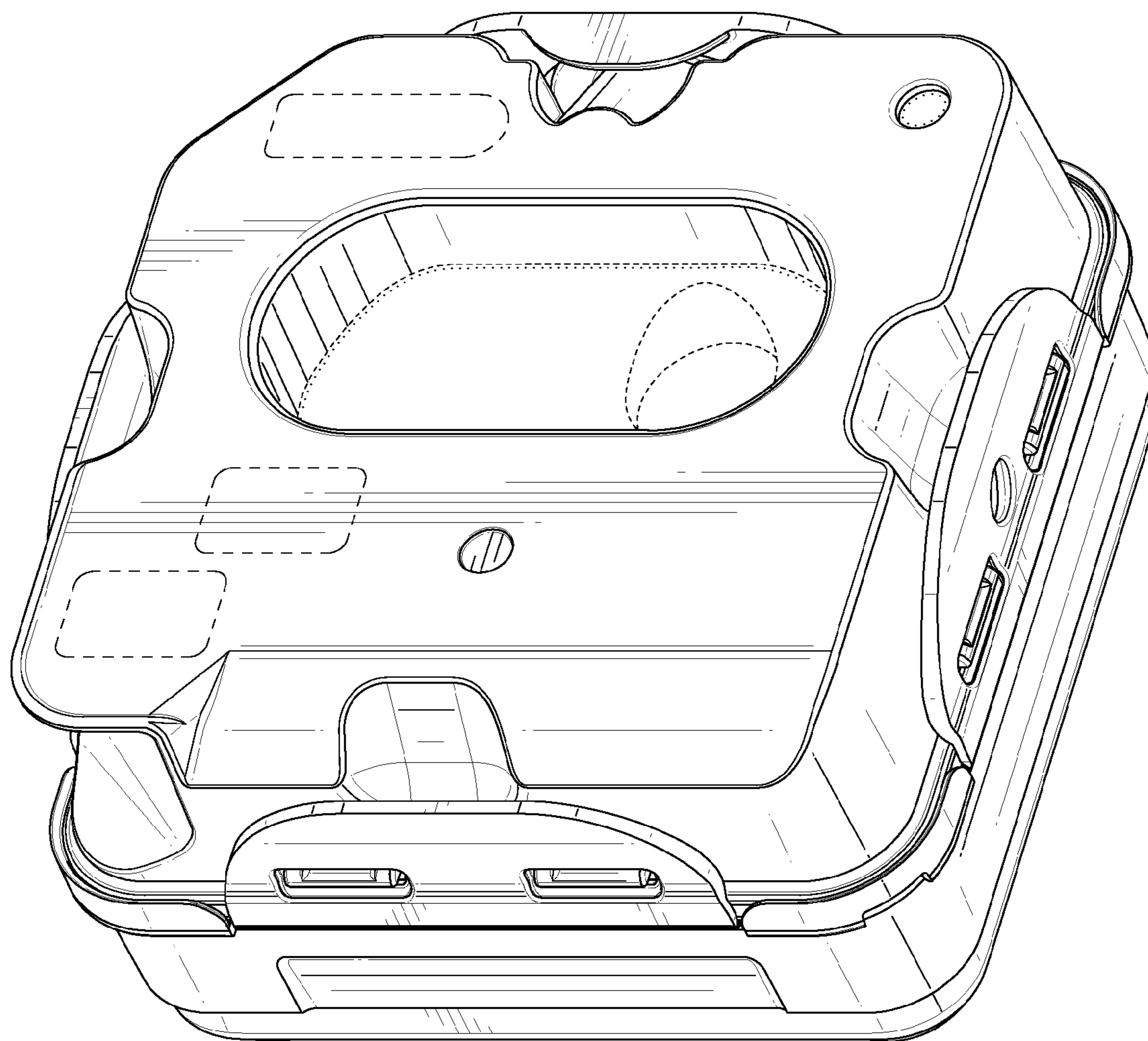


Figure 1

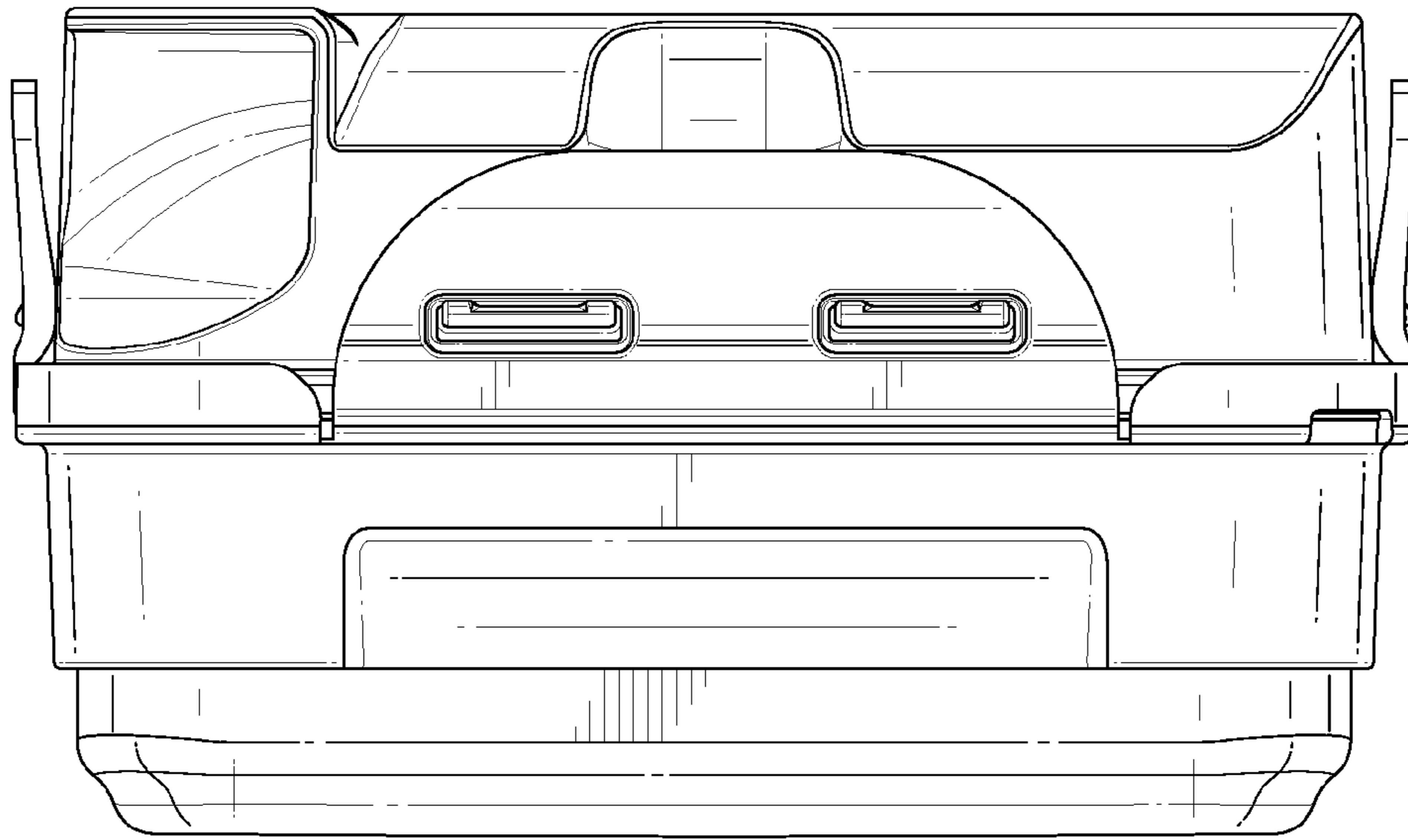


Figure 2

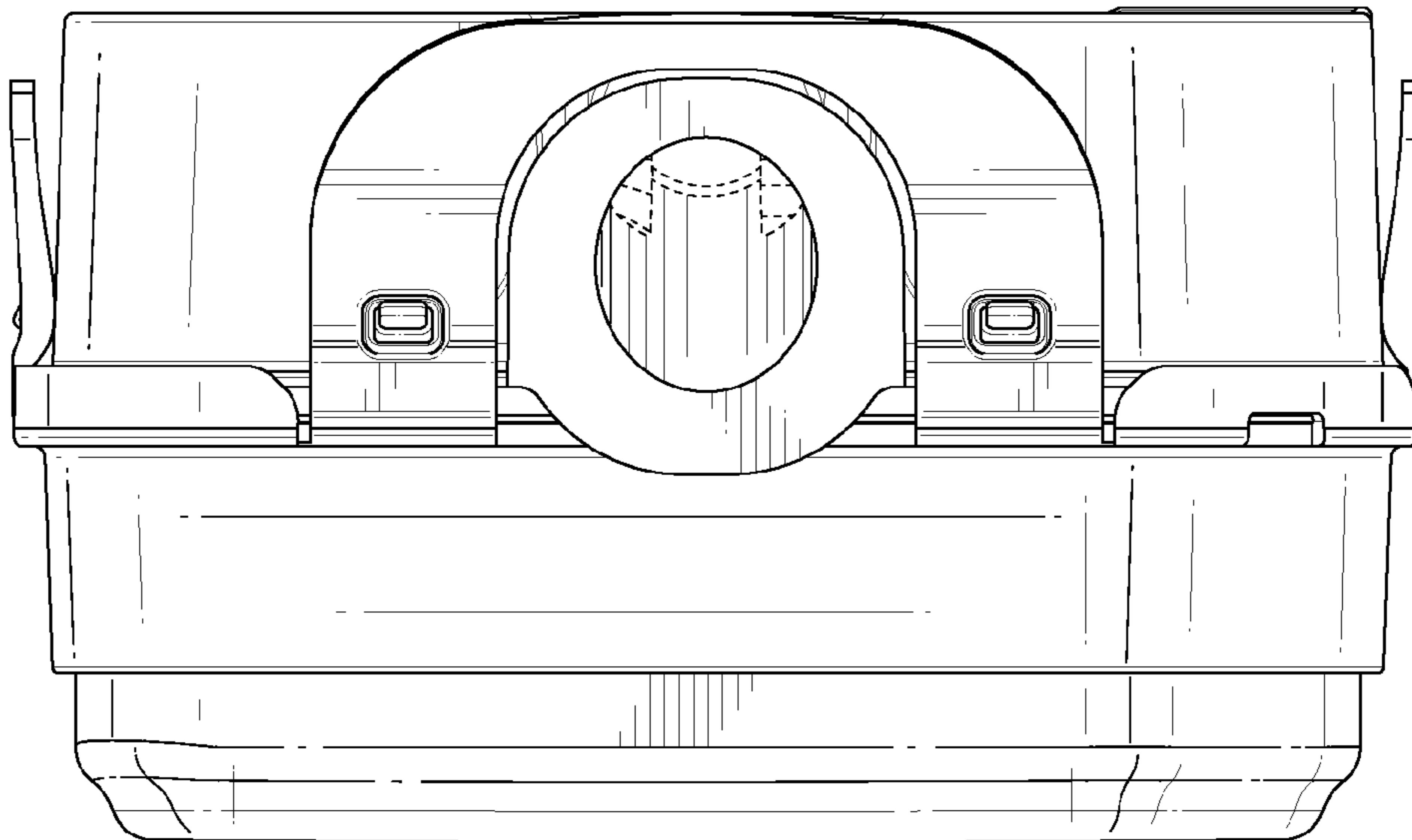


Figure 3

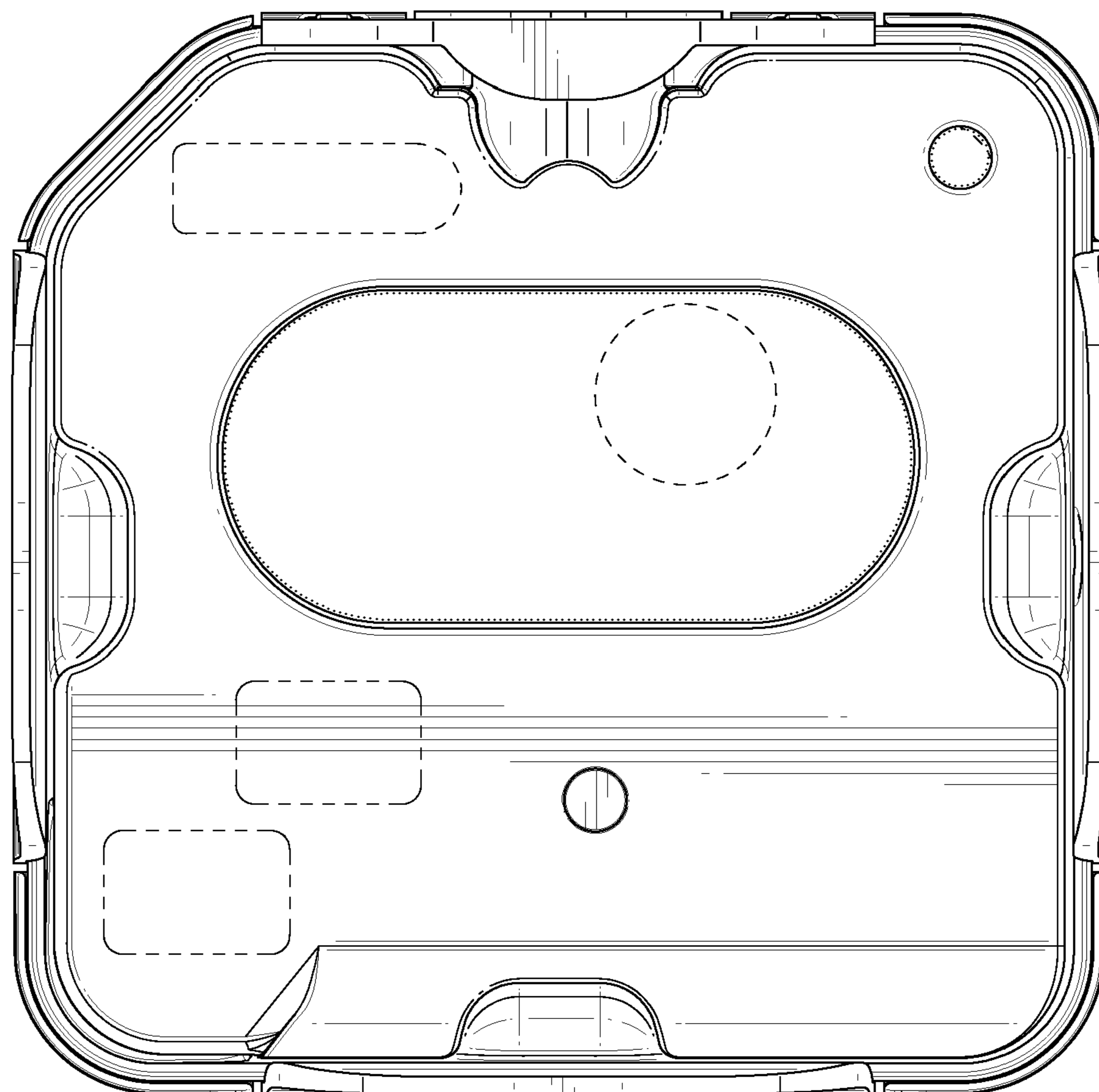


Figure 4

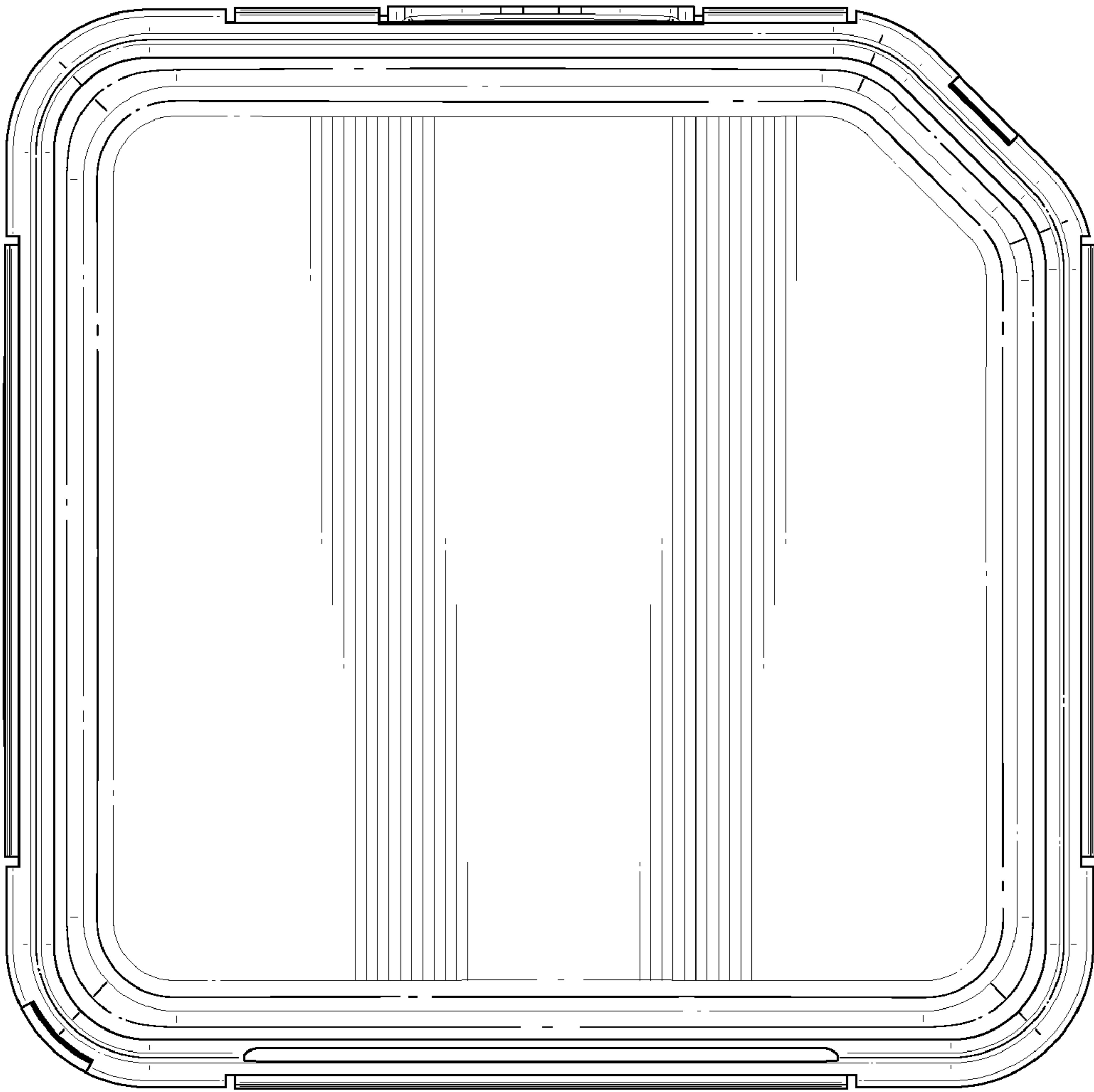


Figure 5

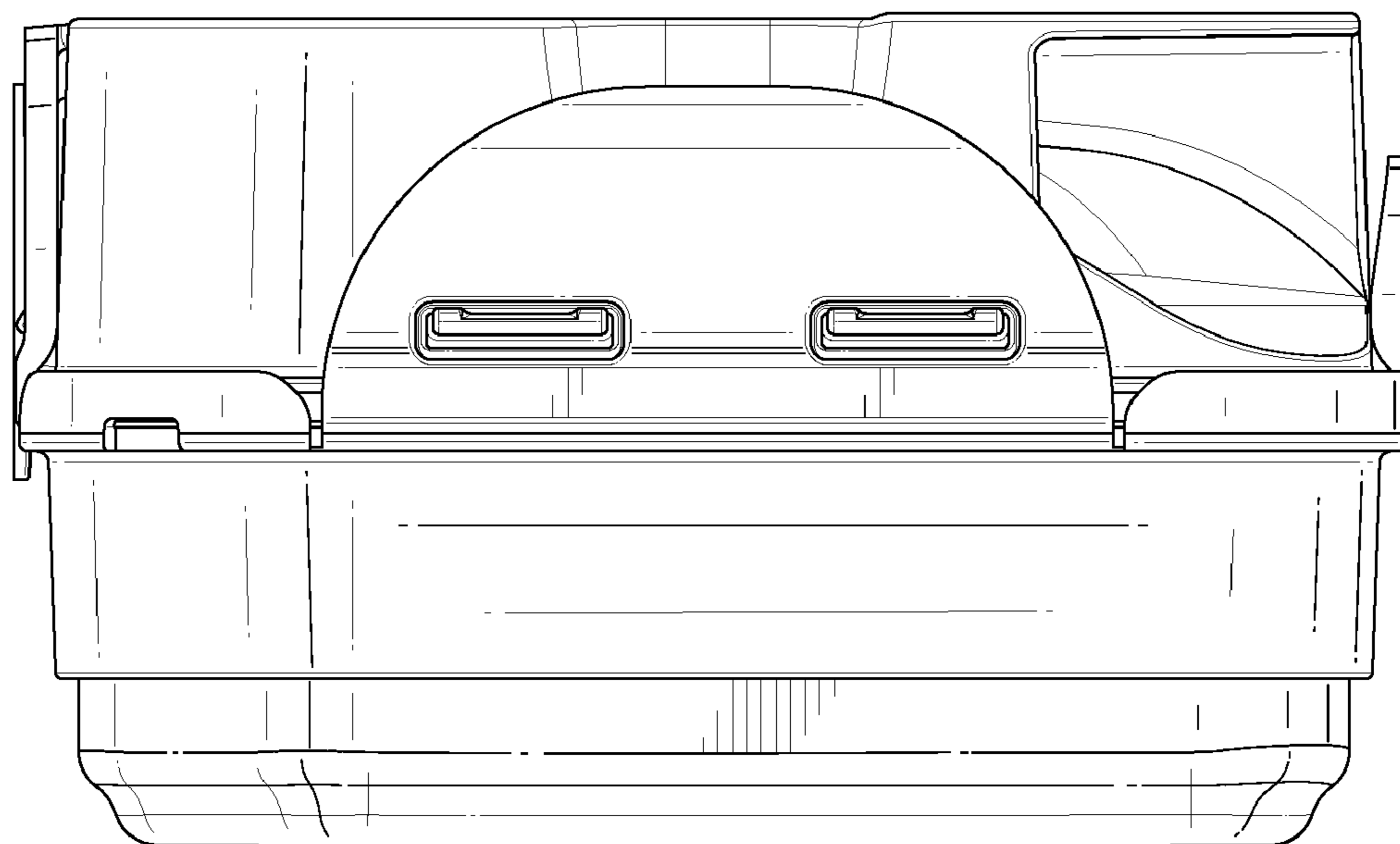


Figure 6

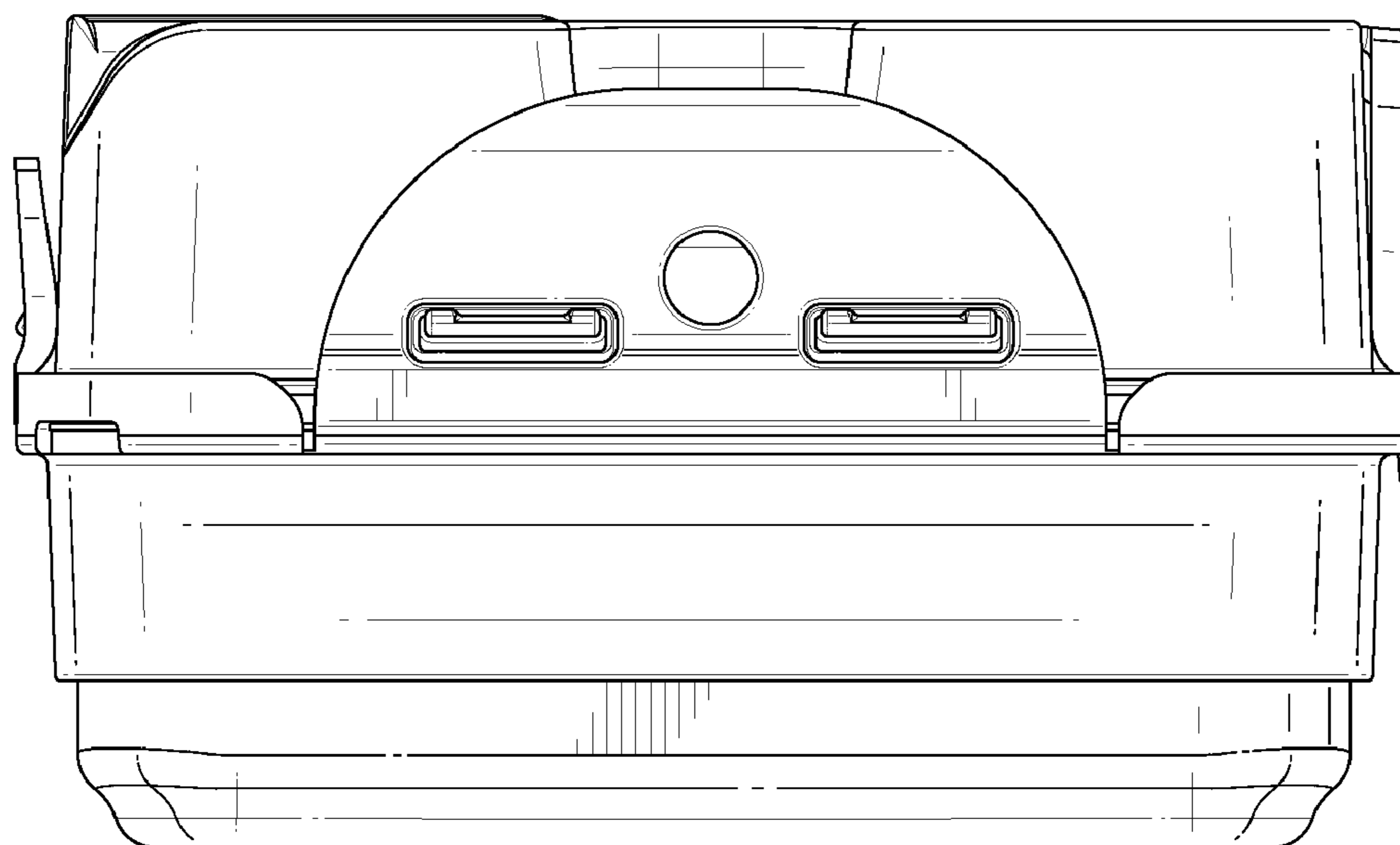


Figure 7