



US00D635243S

(12) **United States Design Patent**
Kinsey et al.

(10) **Patent No.:** **US D635,243 S**

(45) **Date of Patent:** **** Mar. 29, 2011**

(54) **DRY POWDER INHALER**

(75) Inventors: **P. Spencer Kinsey**, Sandy Hook, CT (US); **Chad C. Smutney**, Watertown, CT (US); **Benoit Adamo**, Mount Kisco, NY (US)

(73) Assignee: **MannKind Corporation**, Valencia, CA (US)

(**) Term: **14 Years**

(21) Appl. No.: **29/328,742**

(22) Filed: **Dec. 1, 2008**

(51) **LOC (9) Cl.** **29-02**

(52) **U.S. Cl.** **D24/110**

(58) **Field of Classification Search** D24/110;
128/200.23, 200.12, 200.14, 20.21, 205.23,
128/203.12, 203.15, 203.13

See application file for complete search history.

(56) **References Cited**

U.S. PATENT DOCUMENTS

D276,654 S	*	12/1984	Snellman-Wasenius et al.	D24/110
D326,517 S	*	5/1992	Funai et al.	D24/110
D463,544 S	*	9/2002	Engelbreth et al.	D24/110
D597,657 S	*	8/2009	Kinsey et al.	D24/110
D604,833 S	*	11/2009	Polidoro	D24/110

* cited by examiner

Primary Examiner — Ian Simmons

Assistant Examiner — Christopher Lee

(74) *Attorney, Agent, or Firm* — K&L Gates LLP; Louis C. Cullman; Brian J. Novak

(57) **CLAIM**

The ornamental design for a dry powder inhaler, as shown and described.

DESCRIPTION

FIG. 1 is a top isometric view of our new dry powder inhaler design in a closed or dosing configuration.

FIG. 2 is a side view of the dry powder inhaler of FIG. 1.

FIG. 3 is frontal view of the dry powder inhaler in FIG. 1.

FIG. 4 is rear view of the dry powder inhaler in FIG. 1.

FIG. 5 is a top view of the dry powder inhaler of FIG. 1.

FIG. 6 is an isometric view of the dry powder inhaler in FIG. 1 in a containment configuration.

FIG. 7 is a side view of the dry powder inhaler of FIG. 6.

FIG. 8 is bottom view of the dry powder inhaler shown in FIG. 1; and,

FIG. 9 is bottom view of the dry powder inhaler shown in FIG. 6.

The broken lines in FIGS. 6, 7, 8, and 9 are included for the purpose of illustrating environmental structures and form no part of the claimed design.

1 Claim, 8 Drawing Sheets

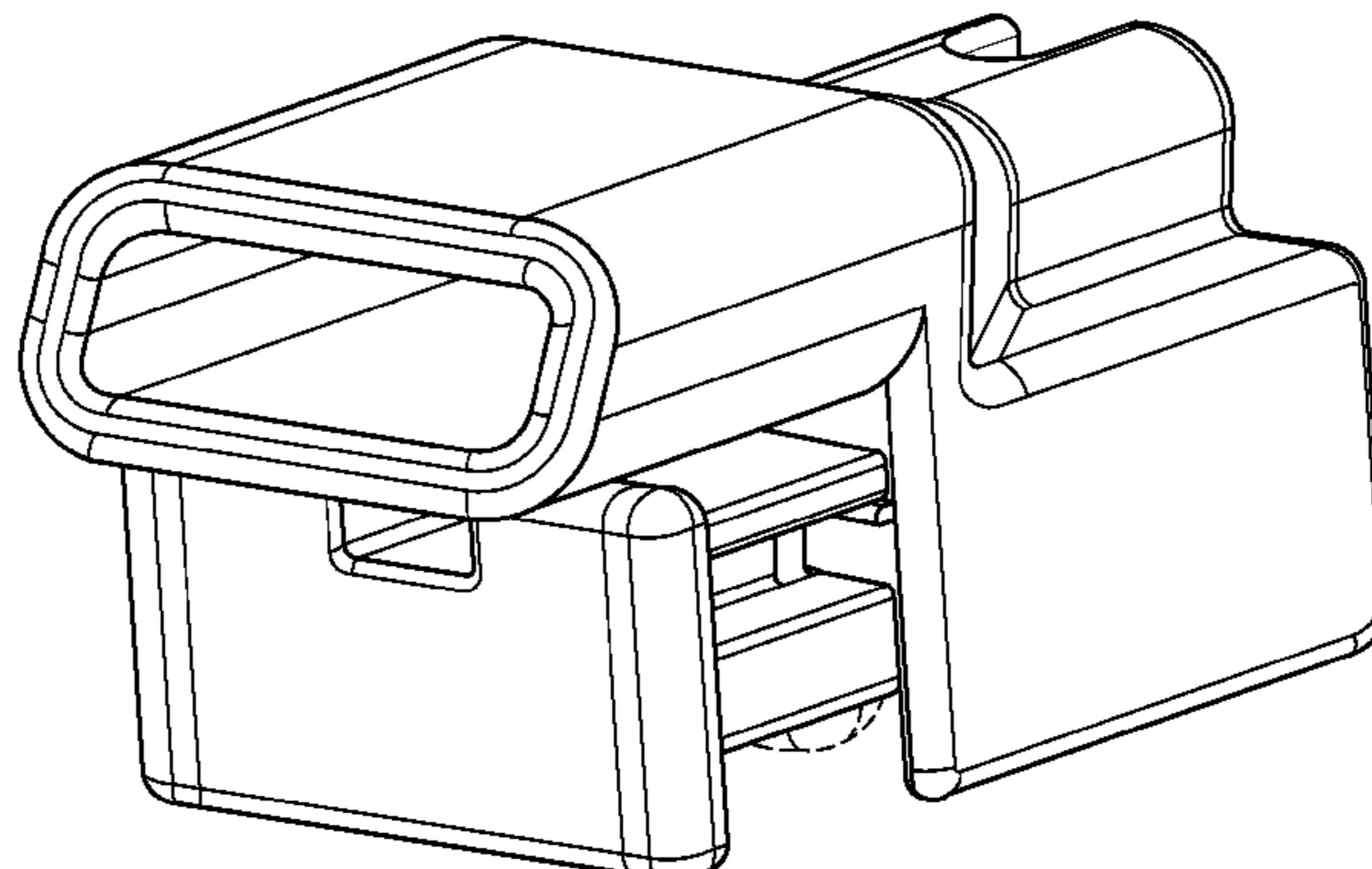
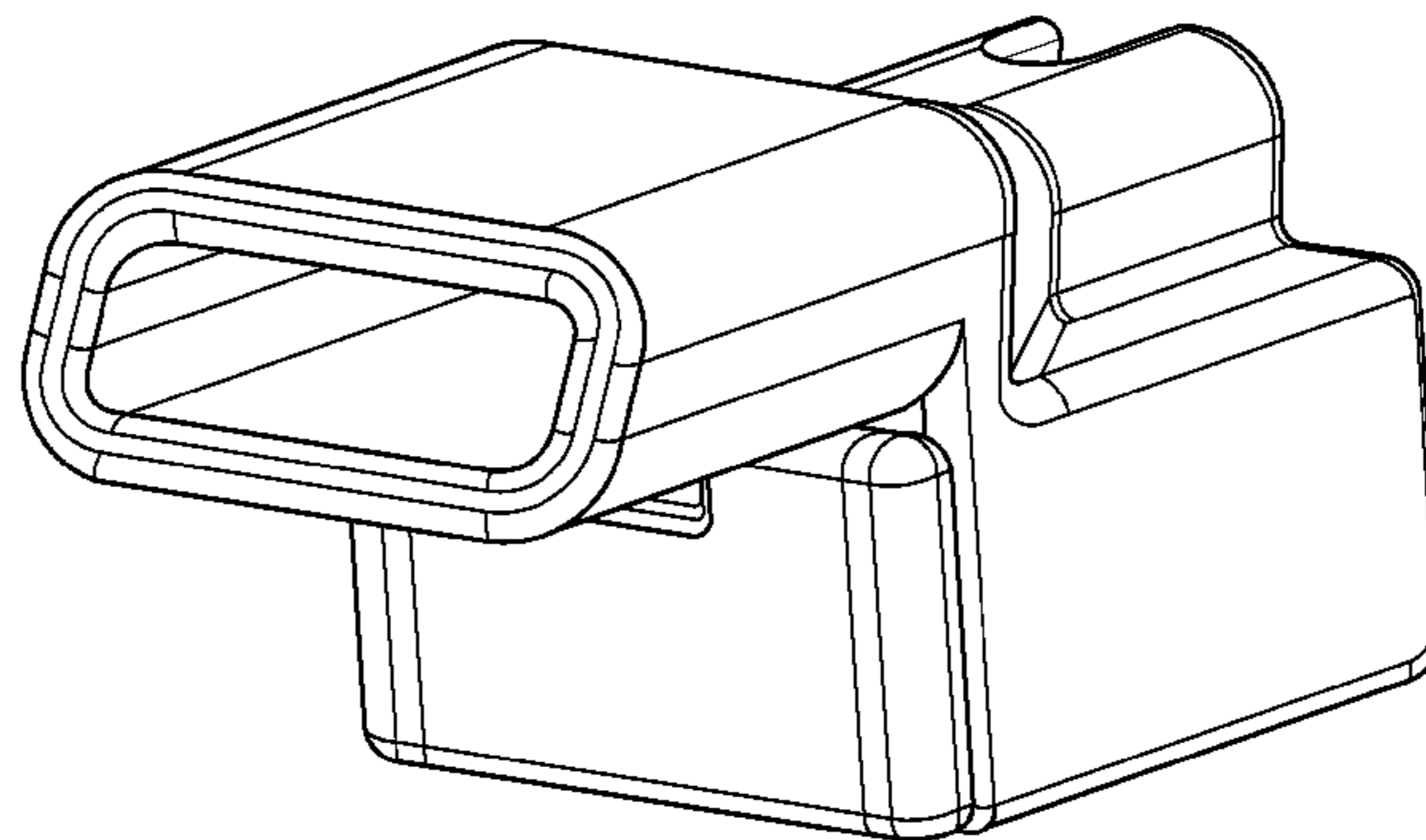


FIG. 1

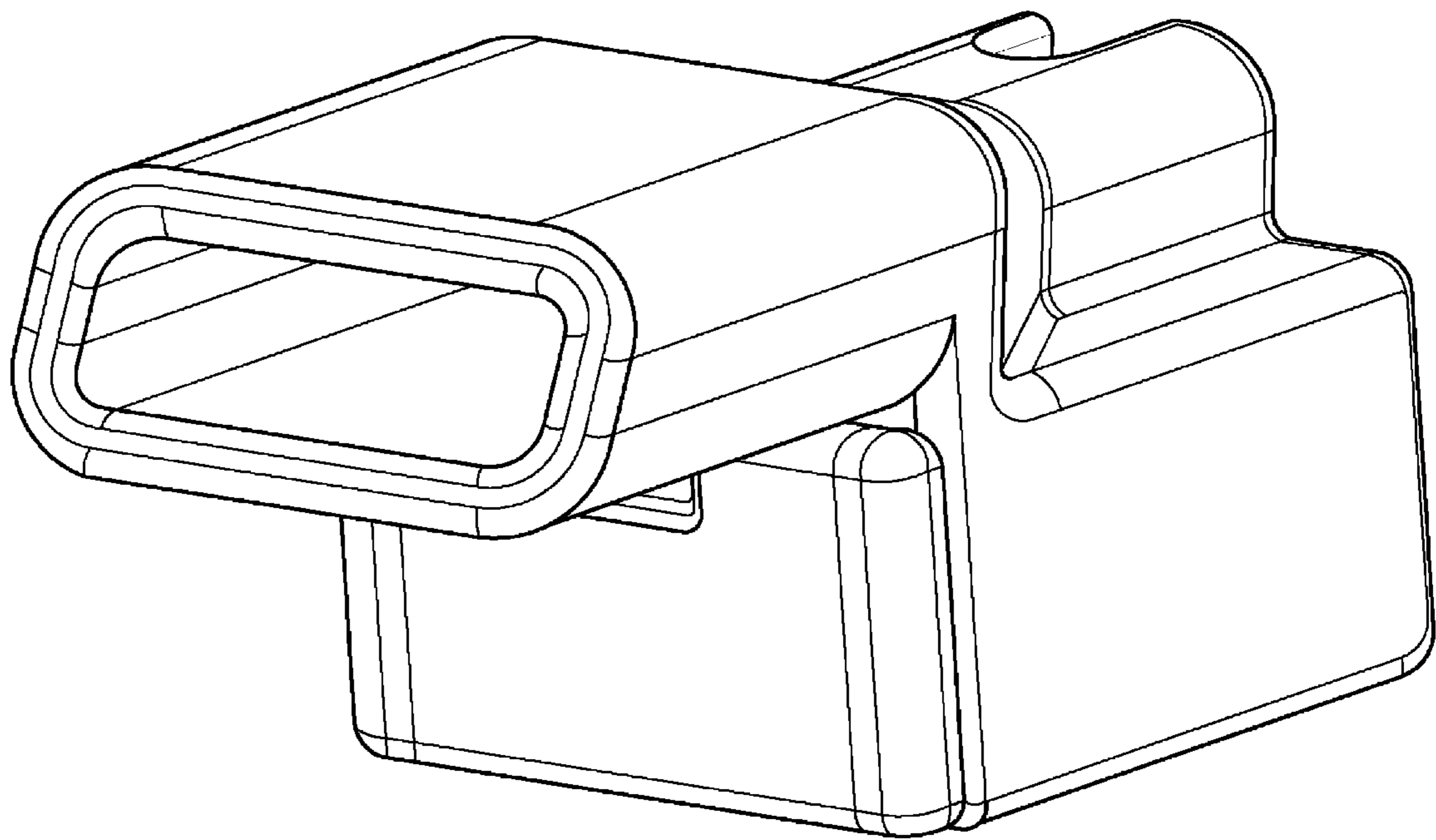


FIG. 2

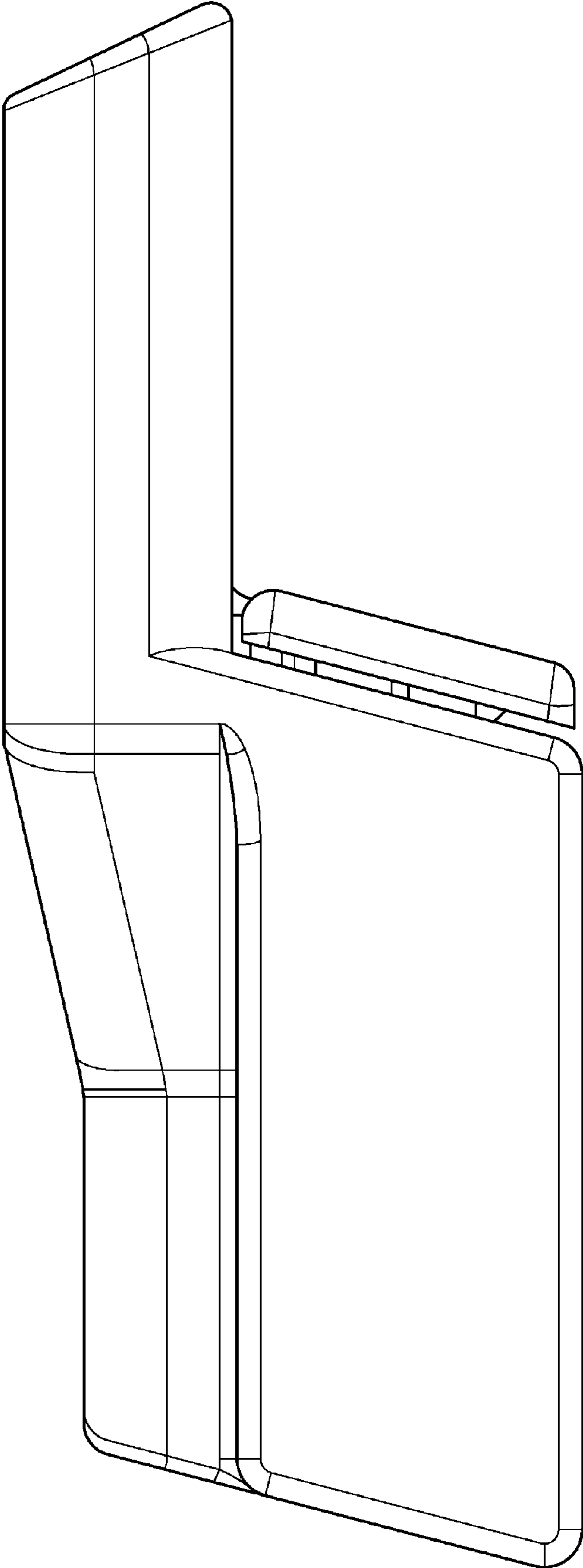


FIG. 4

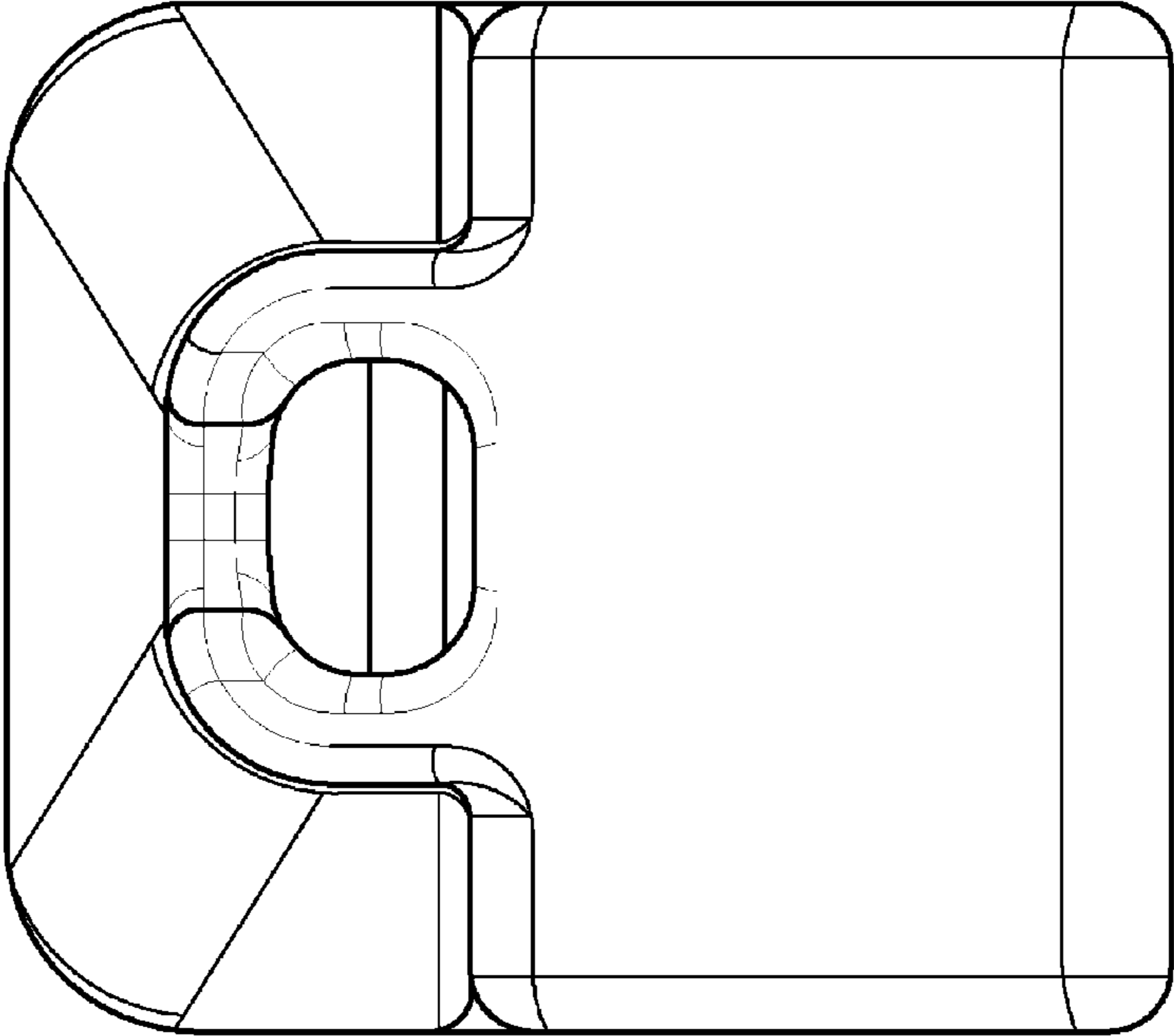
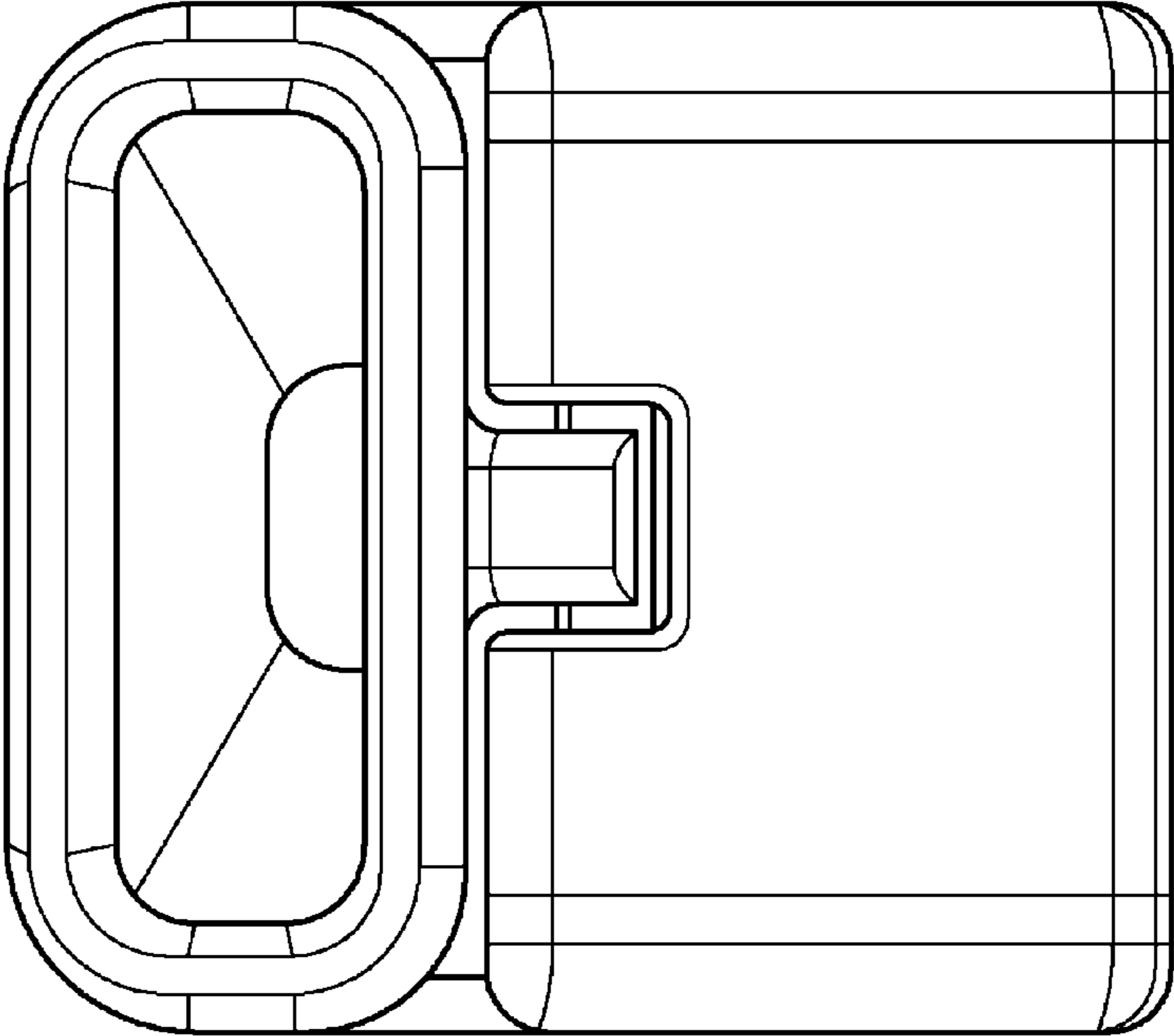


FIG. 3



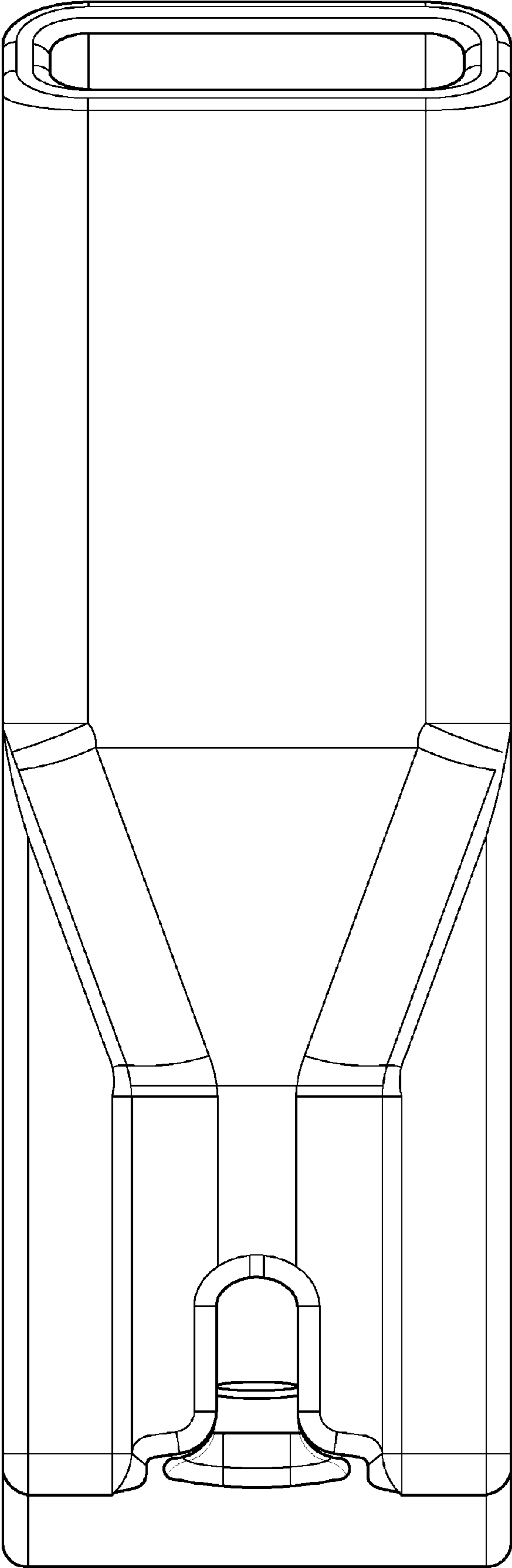
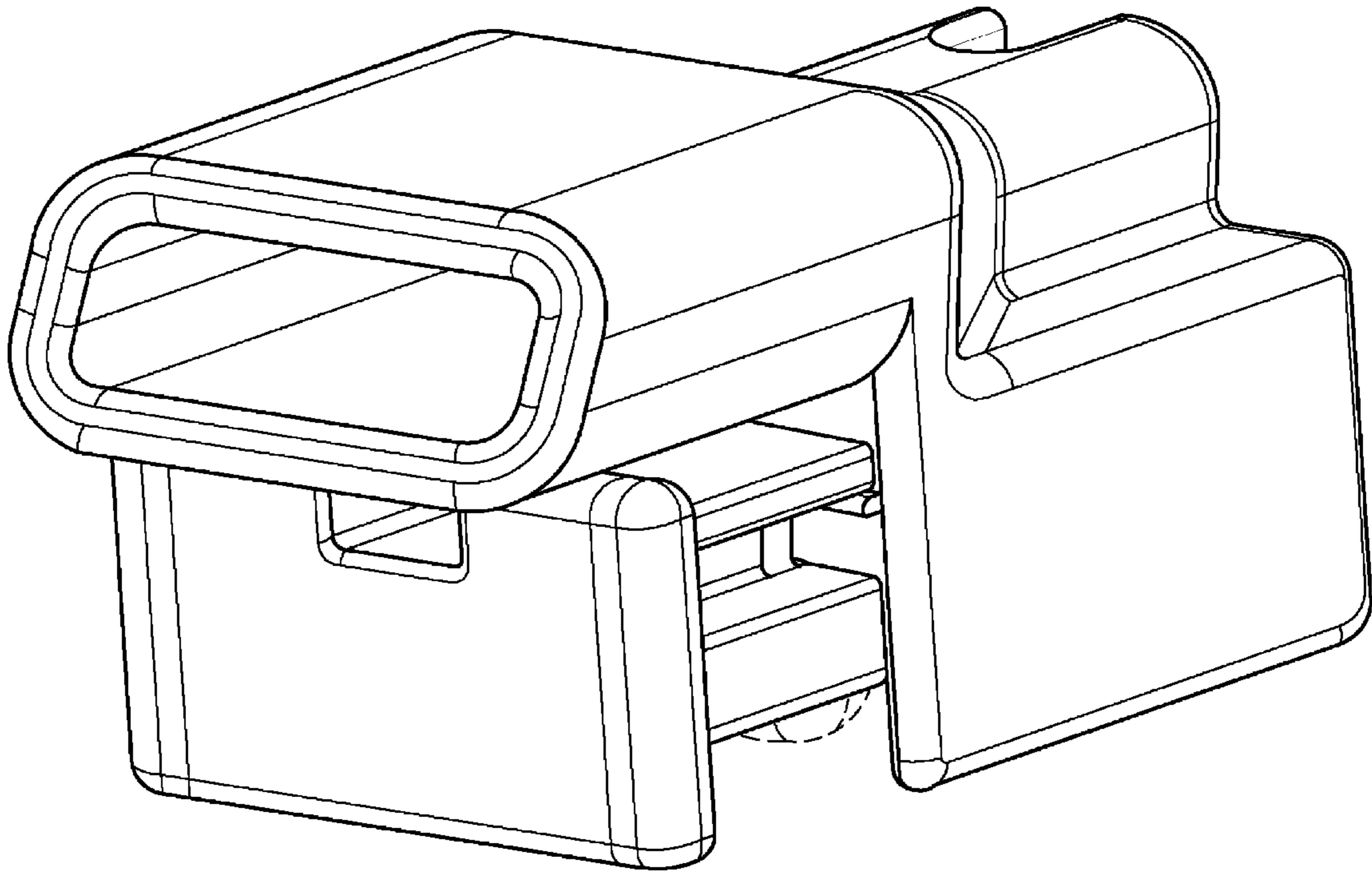


FIG. 5

FIG. 6



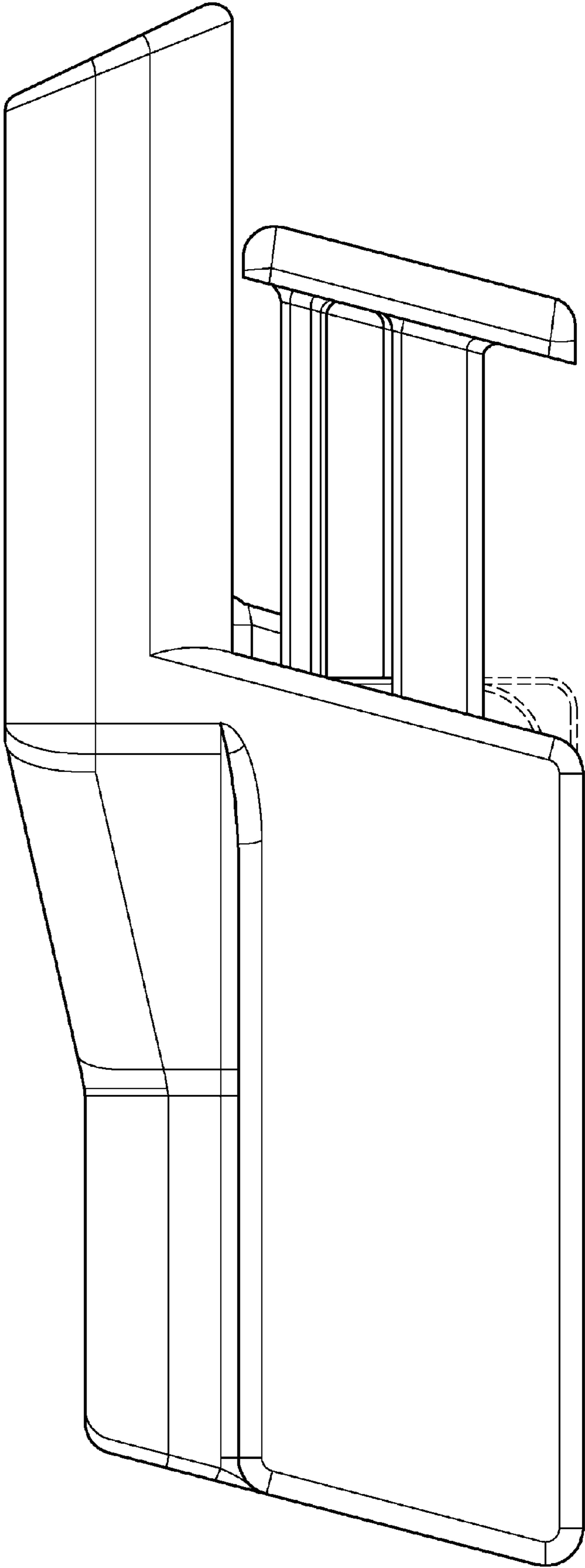


FIG. 7

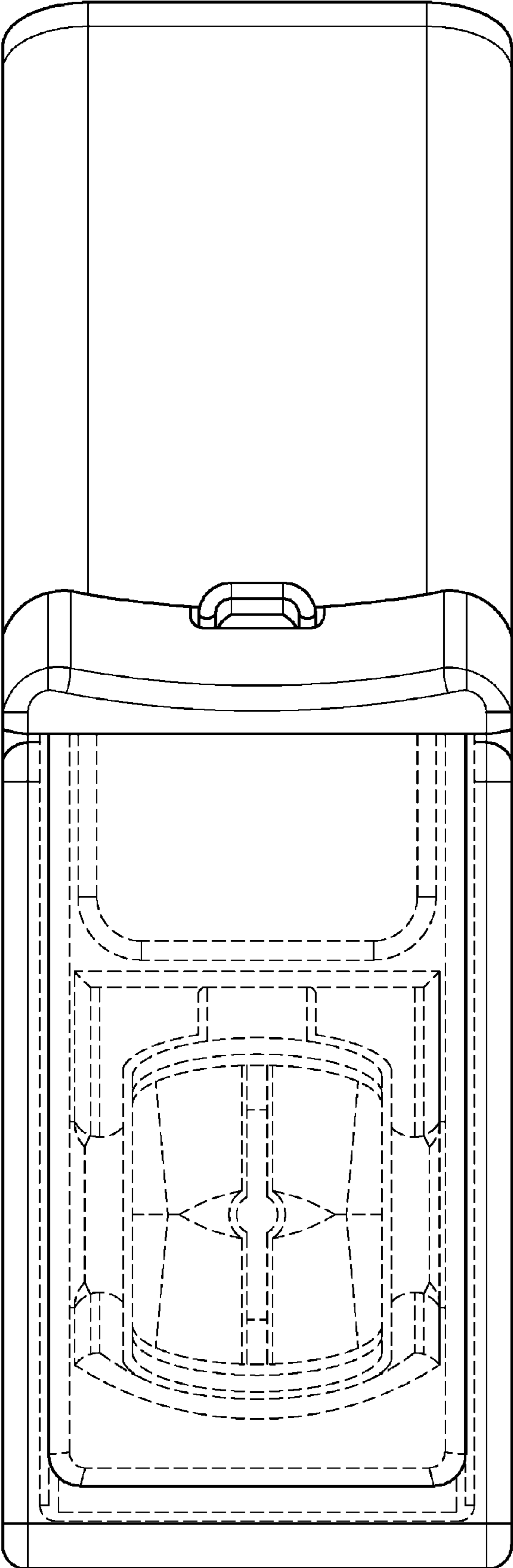


FIG. 8

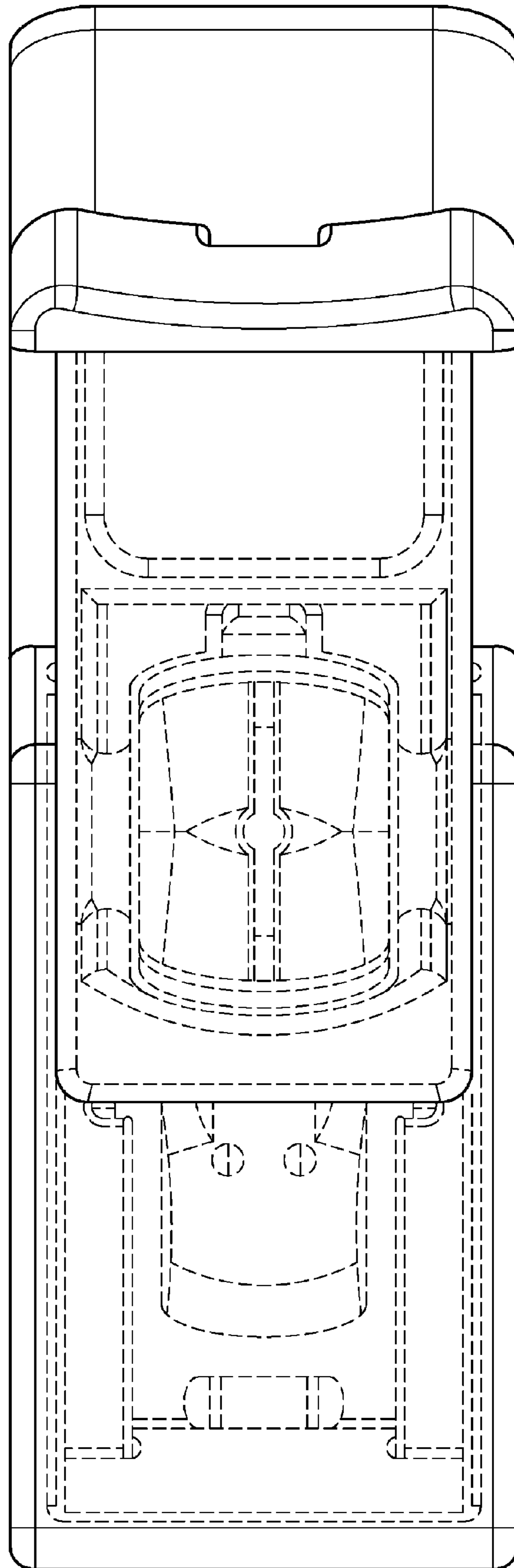


FIG. 9