

US00D635242S

(12) **United States Design Patent**  
**Adamo et al.**

(10) **Patent No.:** **US D635,242 S**  
(45) **Date of Patent:** **\*\* Mar. 29, 2011**

(54) **DRY POWDER INHALER**

(75) Inventors: **Benoit Adamo**, Mount Kisco, NY (US);  
**Chad C. Smutney**, Watertown, CT (US);  
**P. Spencer Kinsey**, Sandy Hook, CT  
(US); **Daniel McMichael Stipe**, Raleigh,  
NC (US); **David Schoch Chapin**,  
Raleigh, NC (US)

(73) Assignee: **MannKind Corporation**, Valencia, CA  
(US)

(\*\*) Term: **14 Years**

(21) Appl. No.: **29/328,728**

(22) Filed: **Dec. 1, 2008**

(51) **LOC (9) Cl.** ..... **29-02**

(52) **U.S. Cl.** ..... **D24/110**

(58) **Field of Classification Search** ..... D24/110;  
128/200.23, 200.12, 200.14, 200.21, 205.23,  
128/203.12, 203.15, 203.13

See application file for complete search history.

(56) **References Cited**

U.S. PATENT DOCUMENTS

D597,657 S \* 8/2009 Kinsey et al. .... D24/110  
D604,833 S \* 11/2009 Polidoro ..... D24/110

\* cited by examiner

*Primary Examiner* — Ian Simmons

*Assistant Examiner* — Christopher Lee

(74) *Attorney, Agent, or Firm* — K&L Gates LLP; Louis C.  
Cullman; Brian J. Novak

(57) **CLAIM**

The ornamental design for a dry powder inhaler, as shown and  
described.

**DESCRIPTION**

FIG. 1 is a top isometric view of our new dry powder inhaler  
design in a closed configuration.

FIG. 2 is a side view of the dry powder inhaler of FIG. 1.

FIG. 3 is frontal view of the dry powder inhaler in FIG. 1.

FIG. 4 is rear view of the dry powder inhaler in FIG. 1.

FIG. 5 is a top view of the dry powder inhaler of FIG. 1.

FIG. 6 is an isometric view of the dry powder inhaler in FIG.  
1 in an open configuration.

FIG. 7 is a side view of the dry powder inhaler of FIG. 6.

FIG. 8 is a frontal view of the dry powder inhaler of FIG. 6.

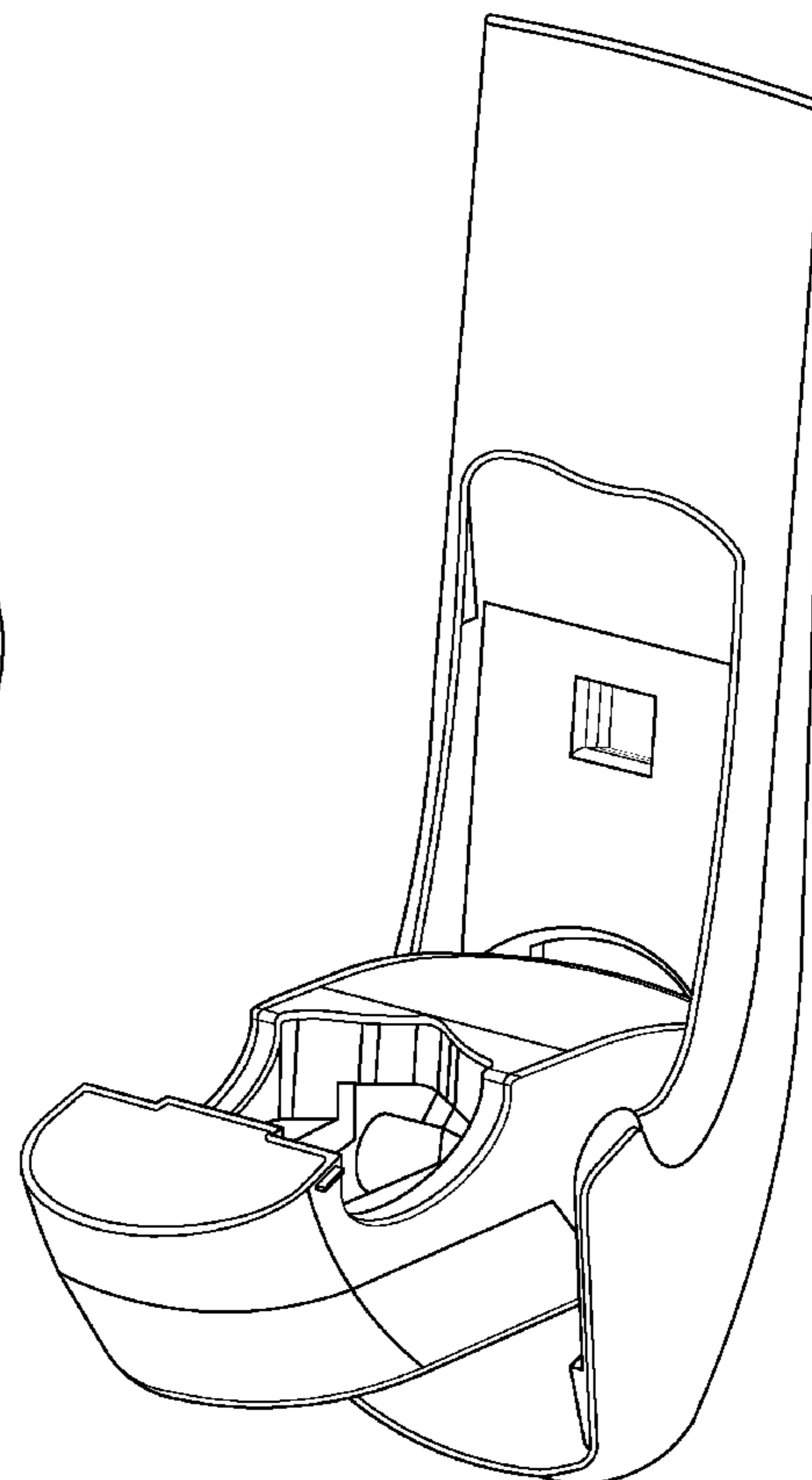
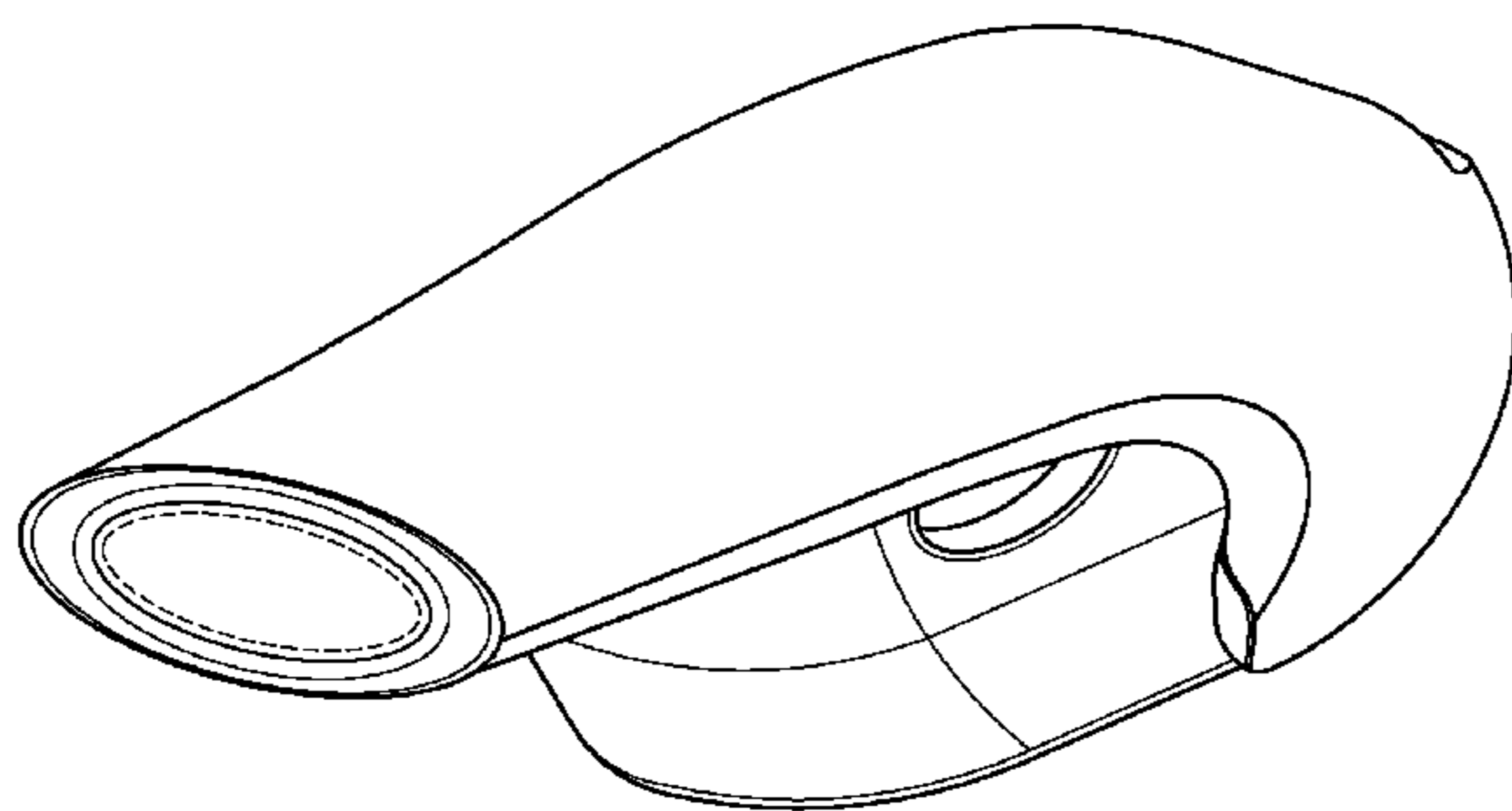
FIG. 9 is a top view of the dry powder inhaler of FIG. 6.

FIG. 10 is bottom view of the dry powder inhaler shown in  
FIG. 1; and,

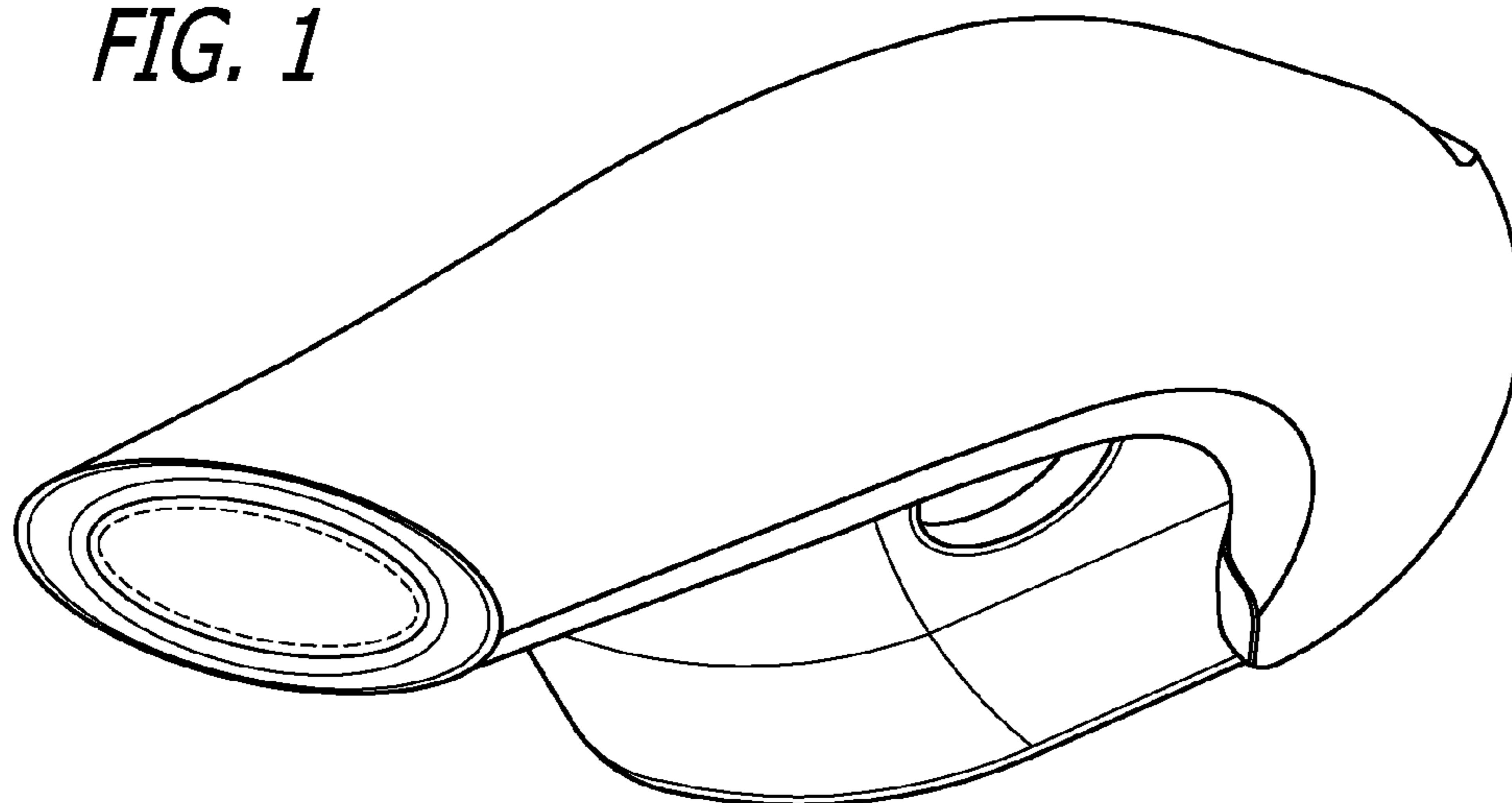
FIG. 11 is bottom view of the dry powder inhaler shown in  
FIG. 6.

The broken lines in FIGS. 1, 3, 5, and 9 are included for the  
purpose of illustrating environmental structures and form no  
part of the claimed design.

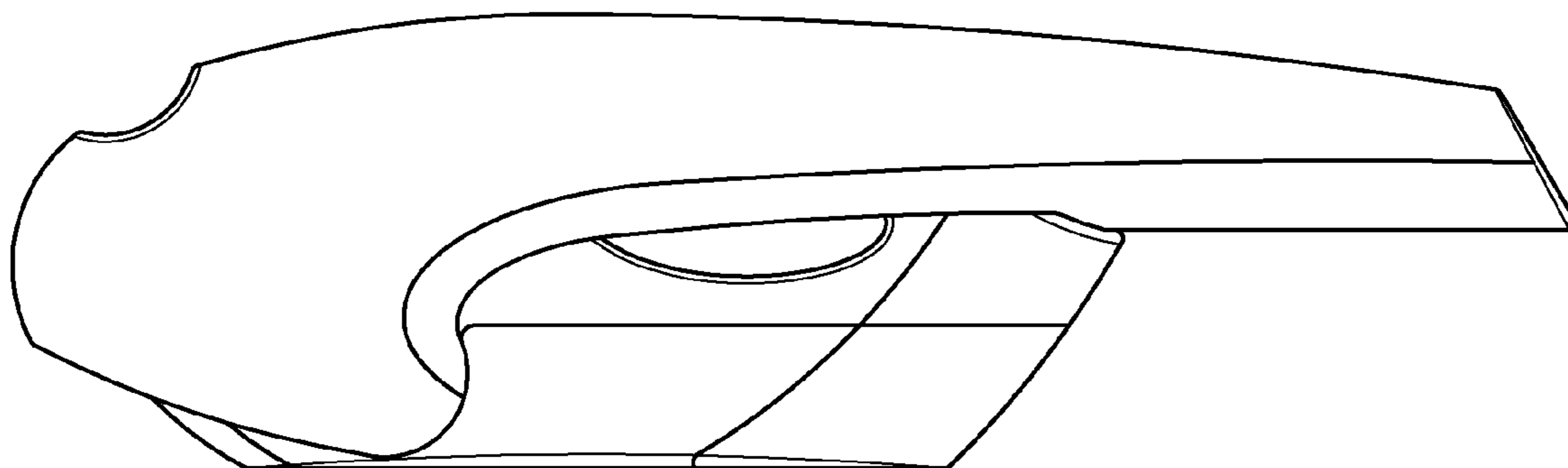
**1 Claim, 6 Drawing Sheets**



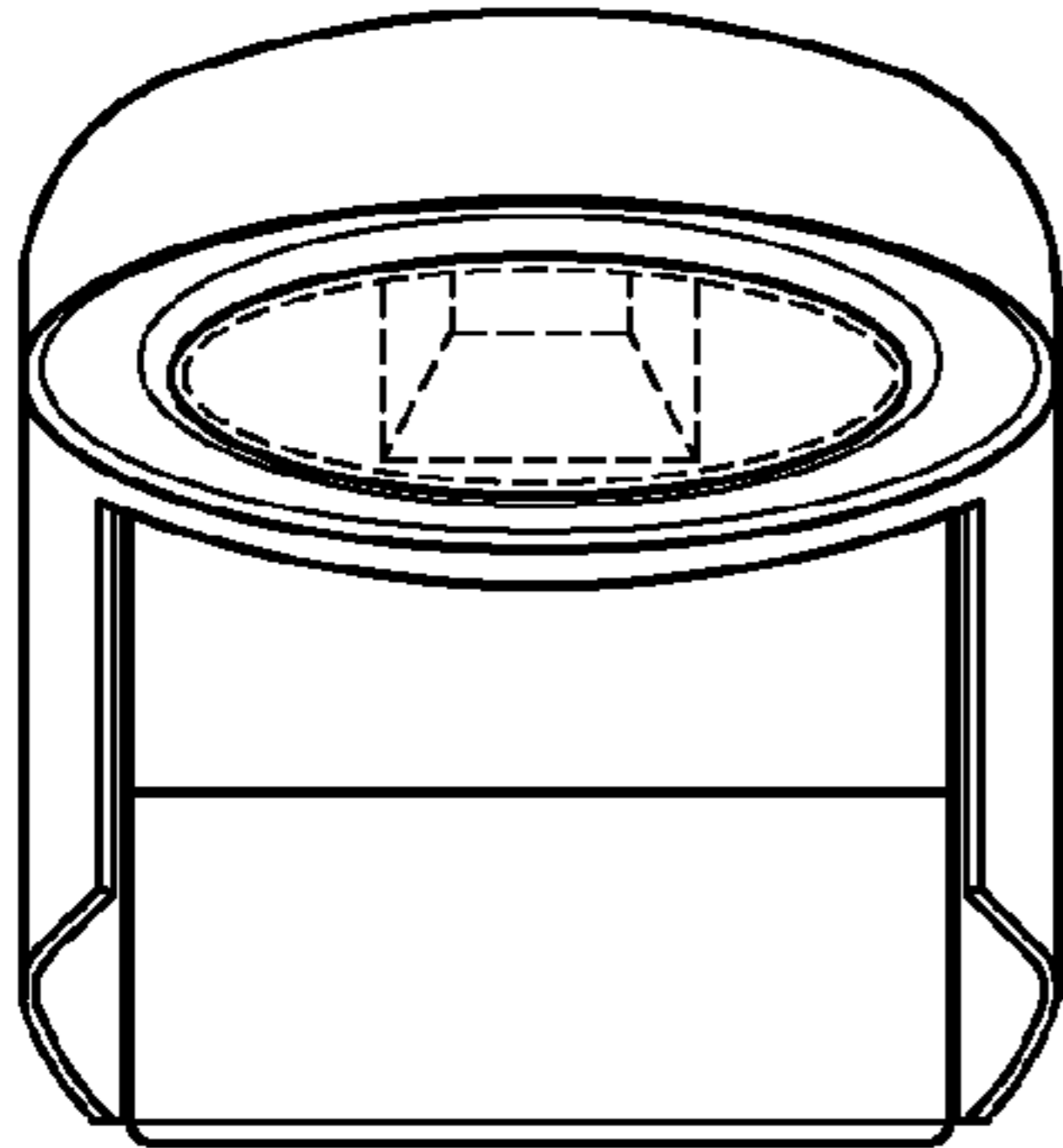
*FIG. 1*



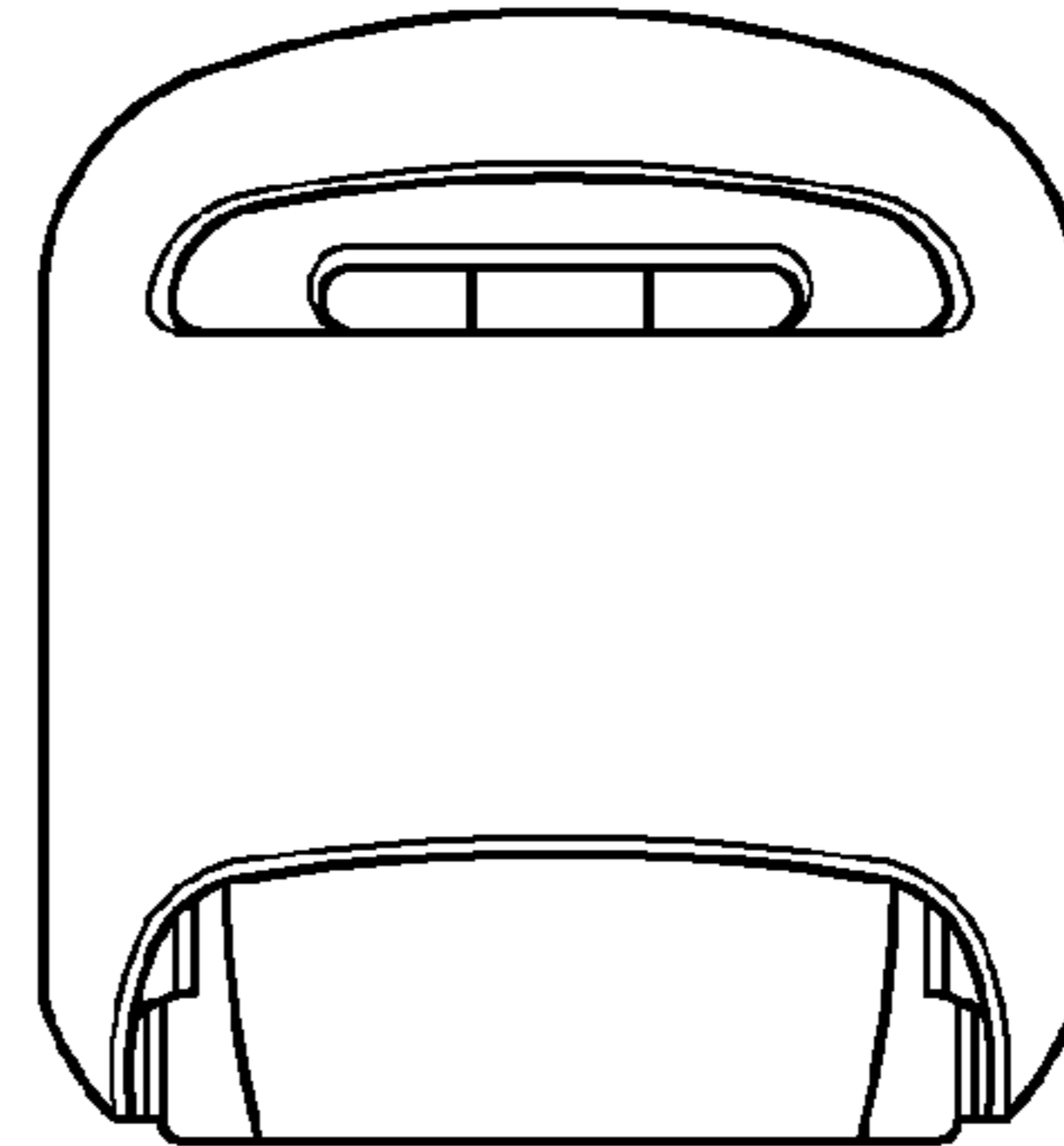
*FIG. 2*



*FIG. 3*



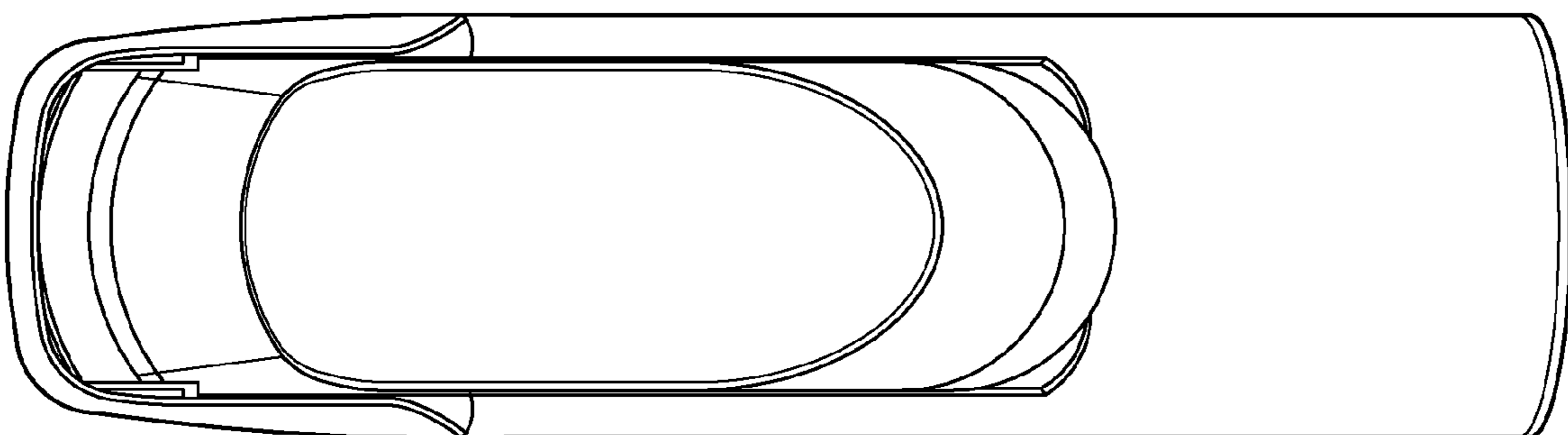
*FIG. 4*



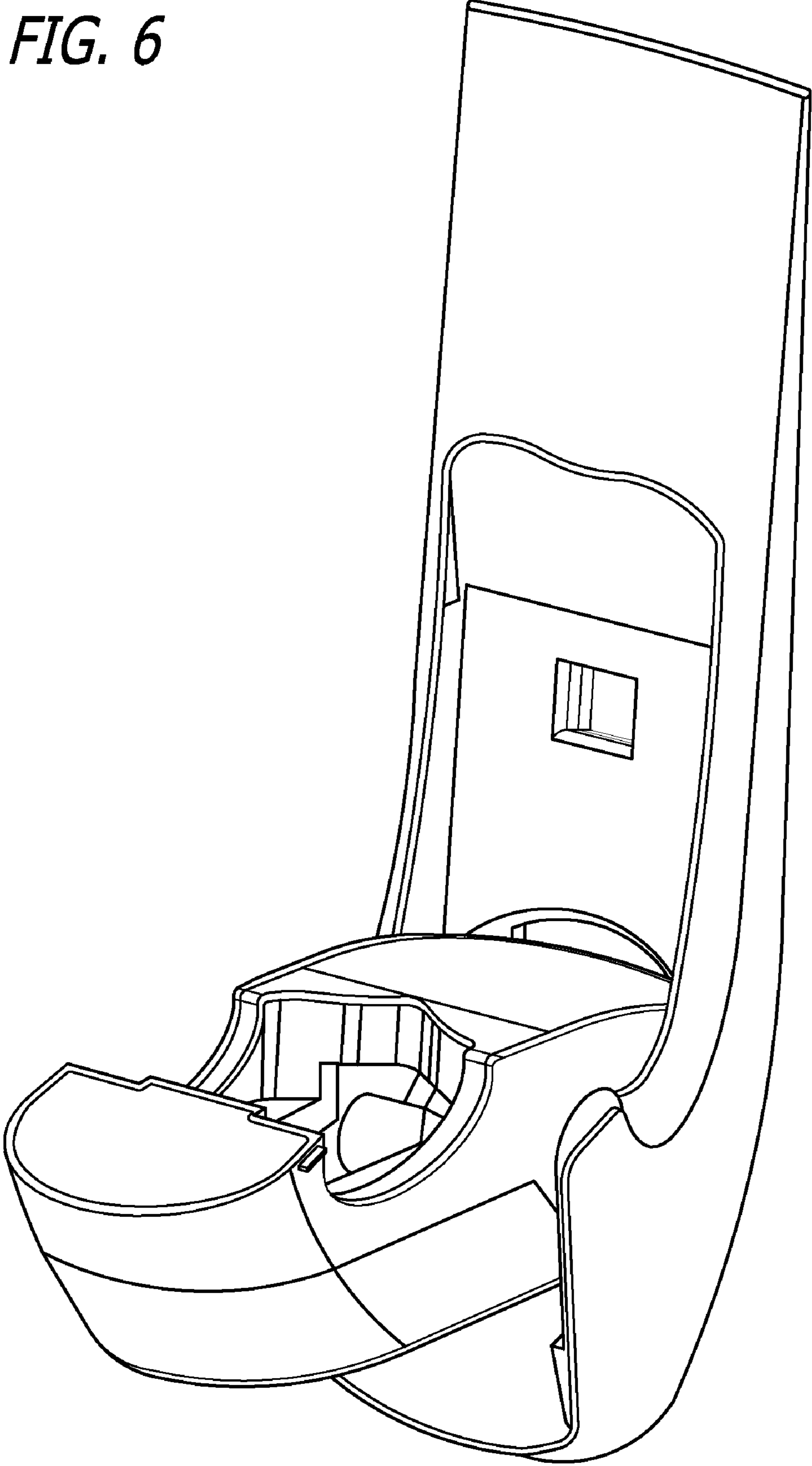
*FIG. 5*



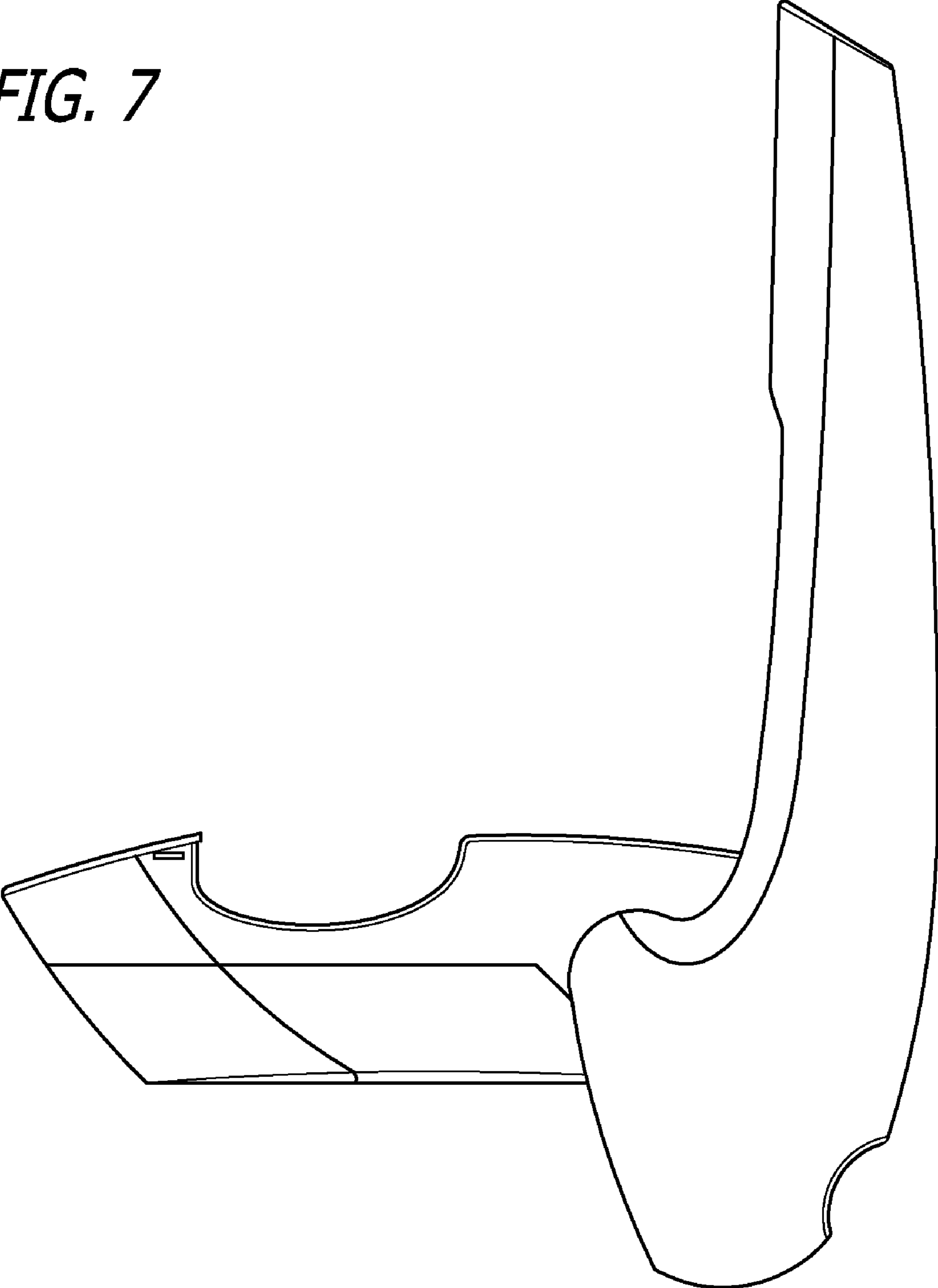
*FIG. 10*



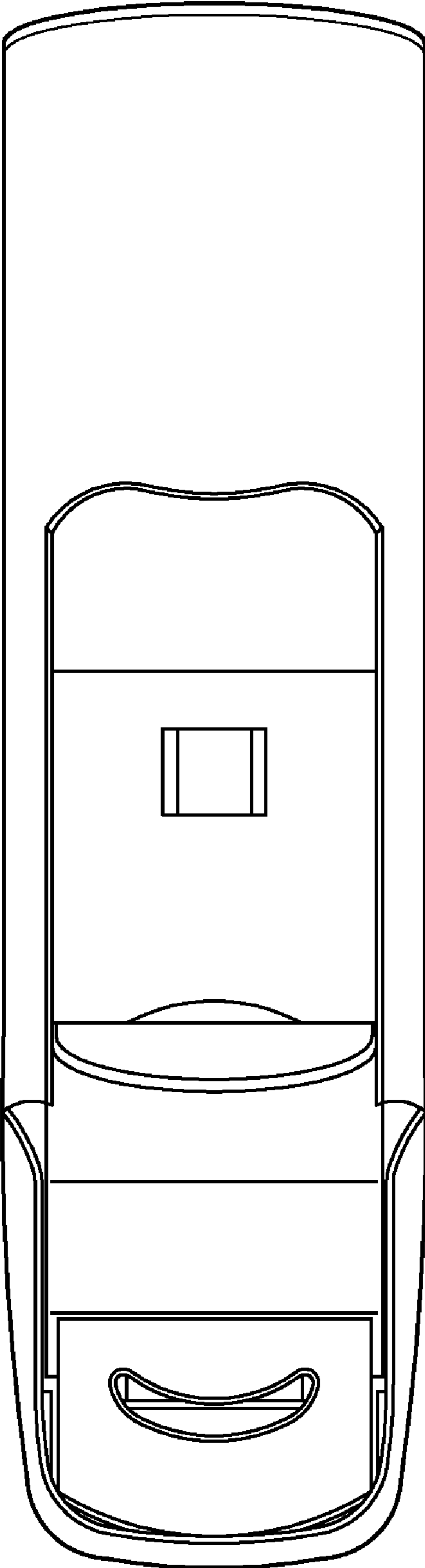
*FIG. 6*



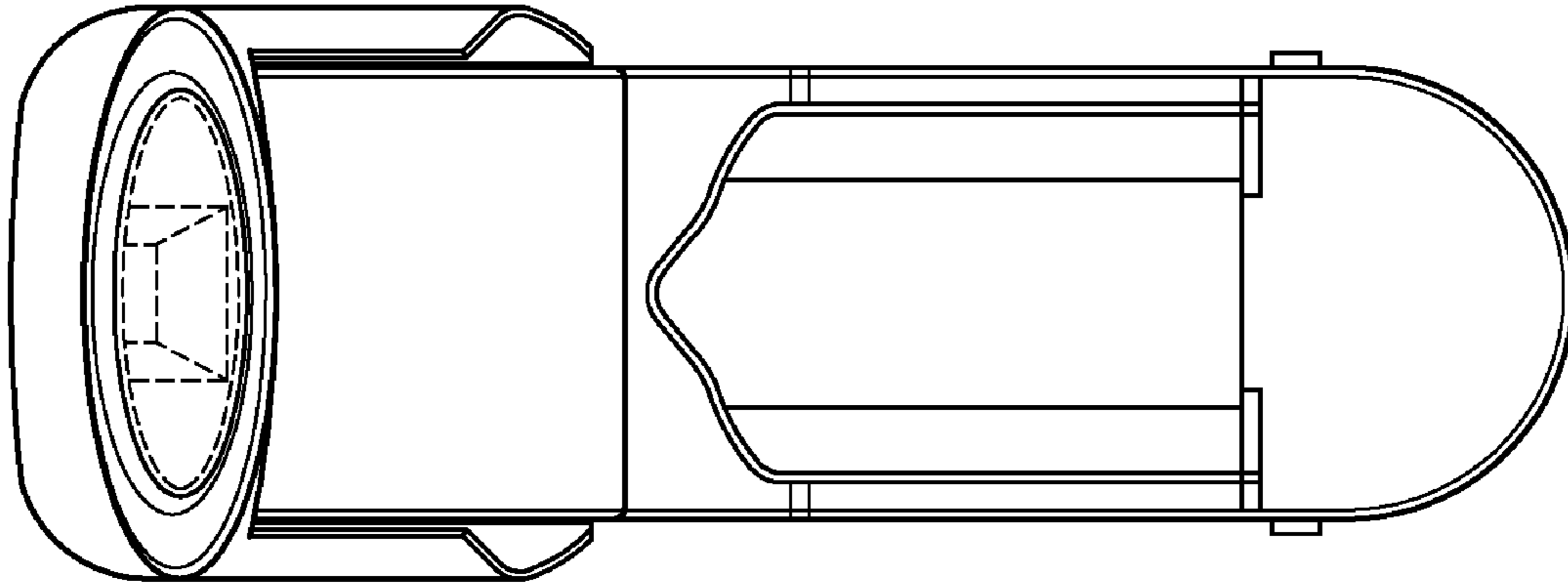
*FIG. 7*



*FIG. 8*



***FIG. 9***



***FIG. 11***

