



US00D635241S

(12) **United States Design Patent**
McLean

(10) **Patent No.:** **US D635,241 S**

(45) **Date of Patent:** **** Mar. 29, 2011**

(54) **DRY POWDER INHALER**

(75) Inventor: **Scott McLean**, Waterbury, CT (US)

(73) Assignee: **MannKind Corporation**, Valencia, CA (US)

(**) Term: **14 Years**

(21) Appl. No.: **29/319,775**

(22) Filed: **Jun. 13, 2008**

(51) **LOC (9) Cl.** **29-02**

(52) **U.S. Cl.** **D24/110**

(58) **Field of Classification Search** D24/110;
128/200.23, 200.12, 200.14, 200.21, 205.23,
128/203.12, 203.15, 203.13

See application file for complete search history.

(56) **References Cited**

U.S. PATENT DOCUMENTS

D348,928	S	*	7/1994	Ashley et al.	D24/110
5,372,128	A		12/1994	Haber et al.		
D417,271	S	*	11/1999	Denyer et al.	D24/110
D417,732	S	*	12/1999	Dagsland et al.	D24/110
D478,983	S	*	8/2003	Whitehall et al.	D24/110
D489,448	S	*	5/2004	Shayan	D24/110
D516,211	S	*	2/2006	Minshull et al.	D24/110
7,143,764	B1	*	12/2006	Dagsland et al.	128/203.15
7,146,978	B2		12/2006	Edwards et al.		
D550,835	S	*	9/2007	Tanaka et al.	D24/110
D579,549	S	*	10/2008	Birath et al.	D24/110
2006/0073105	A1		4/2006	Yamashita et al.		

* cited by examiner

Primary Examiner — Ian Simmons

Assistant Examiner — Christopher Lee

(74) *Attorney, Agent, or Firm* — K&L Gates LLP; Louis C. Cullman; Brian J. Novak

(57) **CLAIM**

The ornamental design for a dry powder inhaler, as shown and described.

DESCRIPTION

FIG. 1 is a top view of a dry powder inhaler in a closed position.

FIG. 2 is a perspective view of the dry powder inhaler of FIG. 1 in a mid-longitudinal section.

FIG. 3 is a bottom view of the dry powder inhaler of FIG. 1.

FIG. 4 is side view of the dry powder inhaler in FIG. 1.

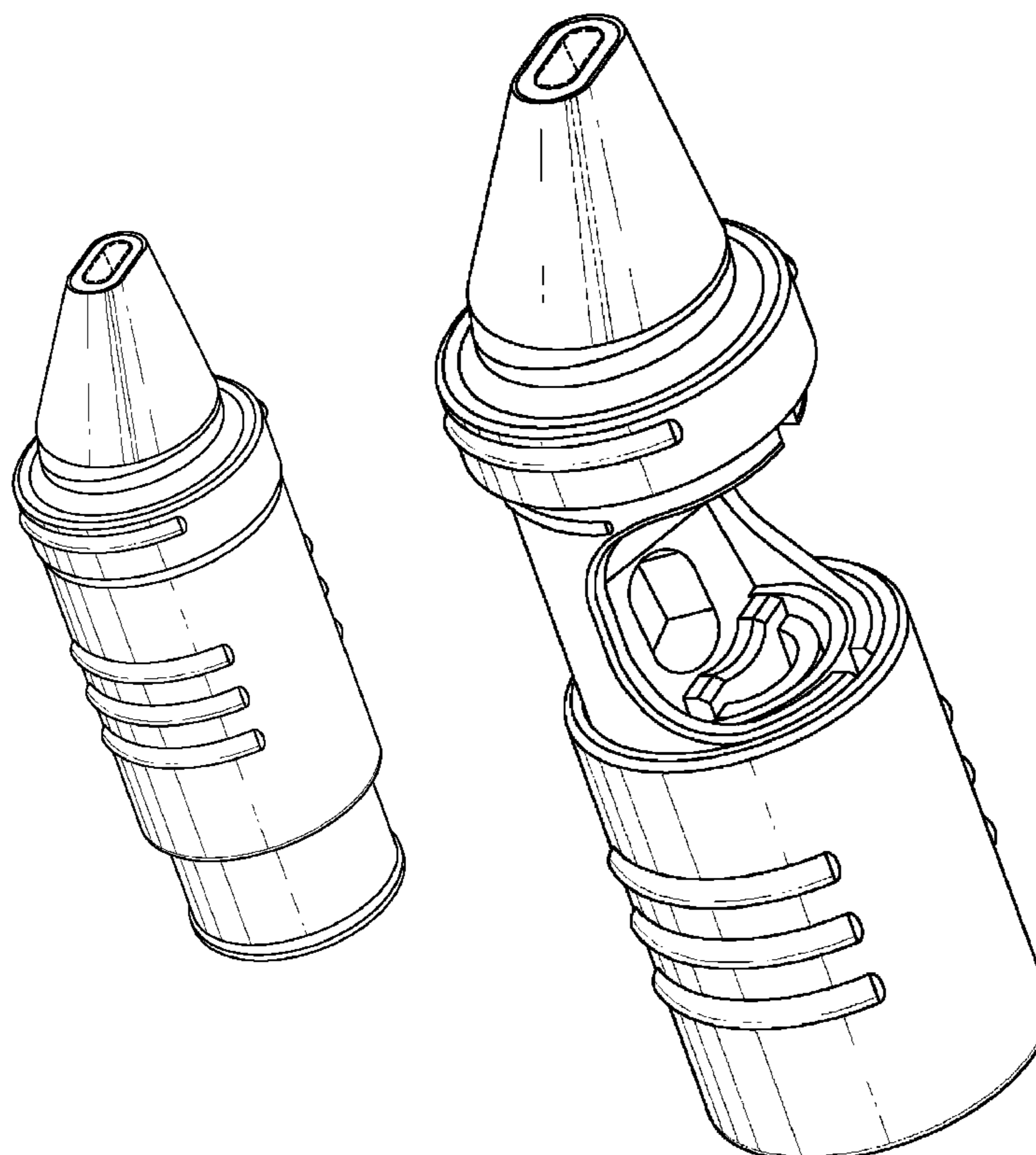
FIG. 5 is mid-longitudinal section view of the dry powder inhaler in FIG. 1 in a partially opened position.

FIG. 6 is another perspective side view of the dry powder inhaler shown in FIG. 1; and,

FIG. 7 is another perspective view of the dry powder inhaler shown in FIG. 1.

The broken lines in FIGS. 1, 3, 4, and 5 are included for the purpose of illustrating environmental structures and form no part of the claimed design.

1 Claim, 4 Drawing Sheets



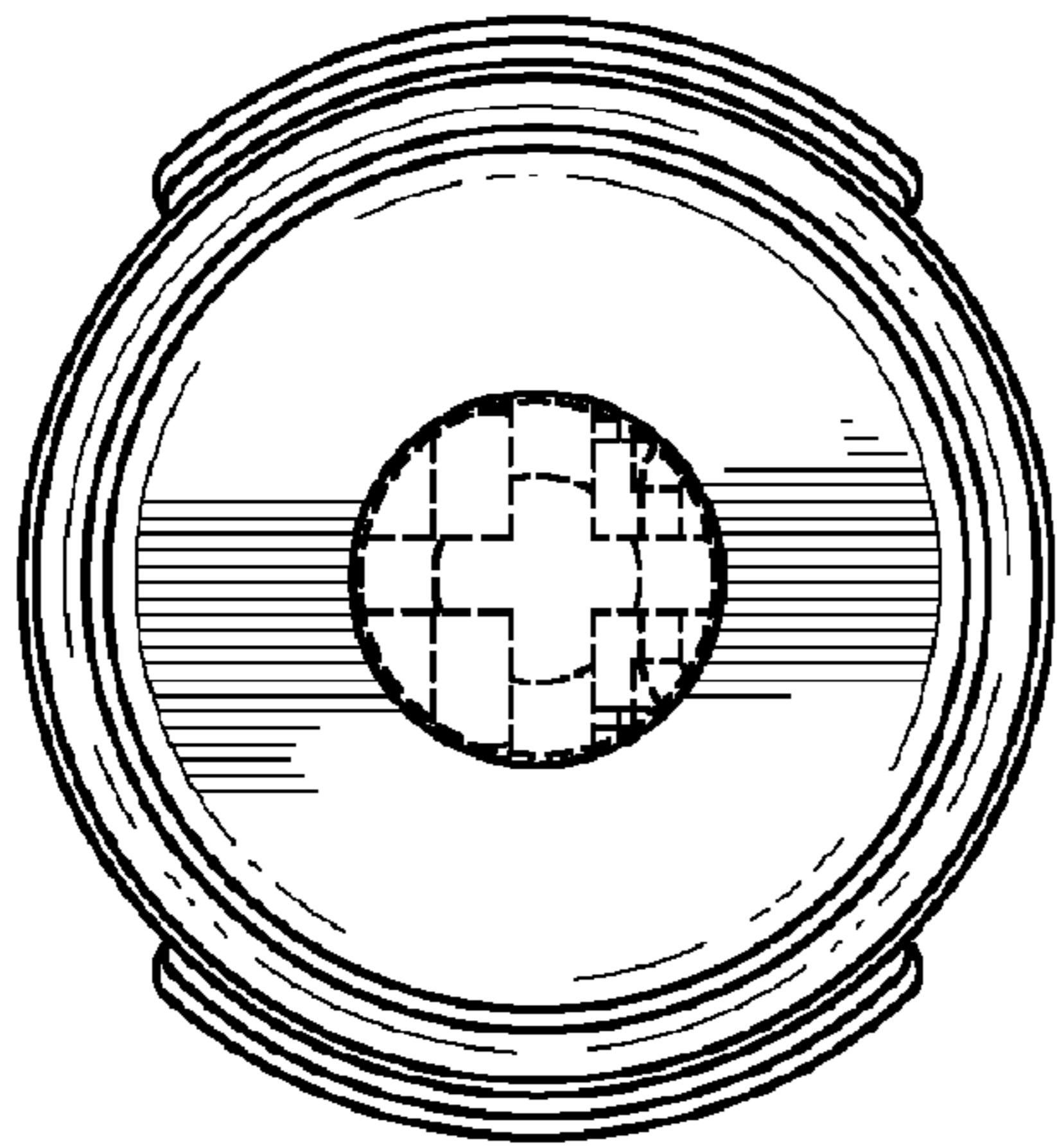


FIG. 1

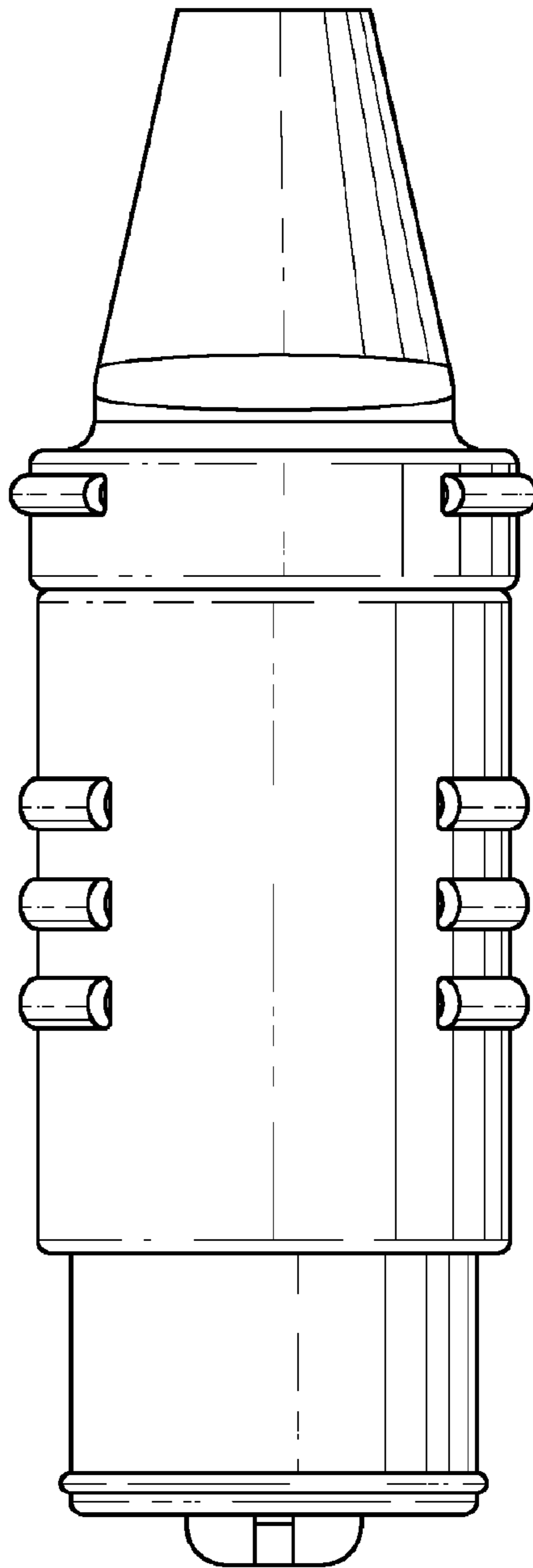


FIG. 2

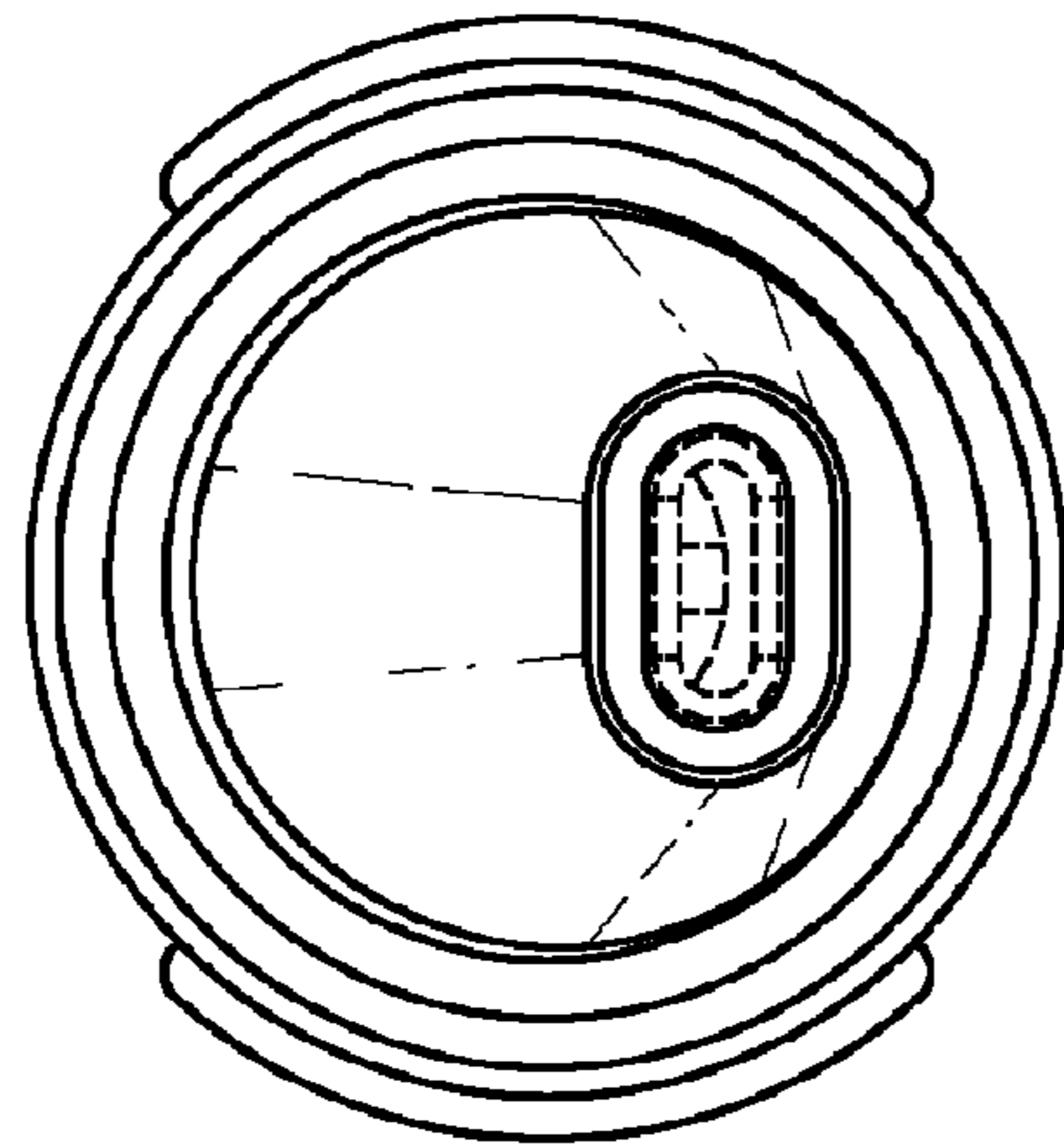


FIG. 3

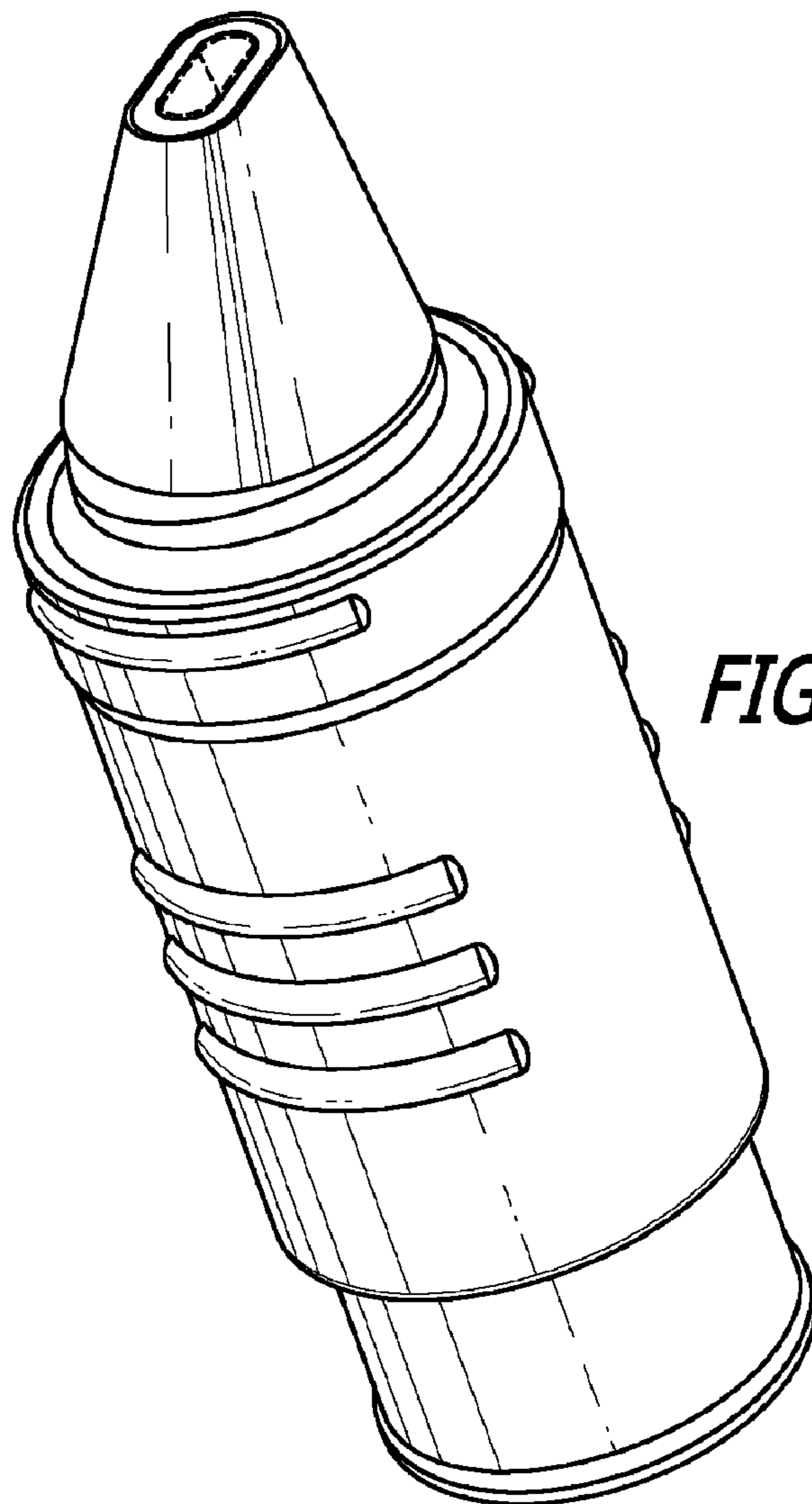


FIG. 4

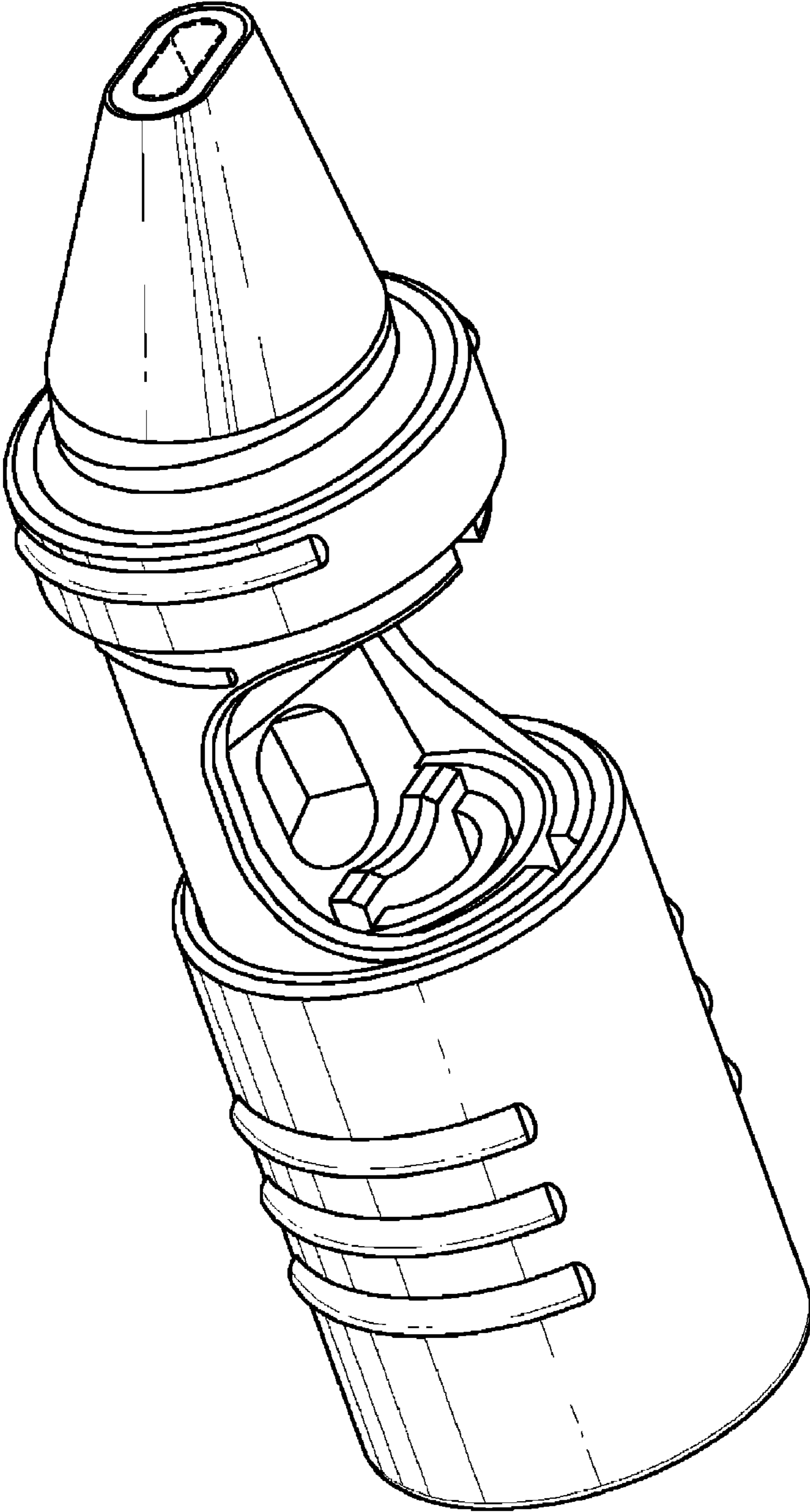


FIG. 5

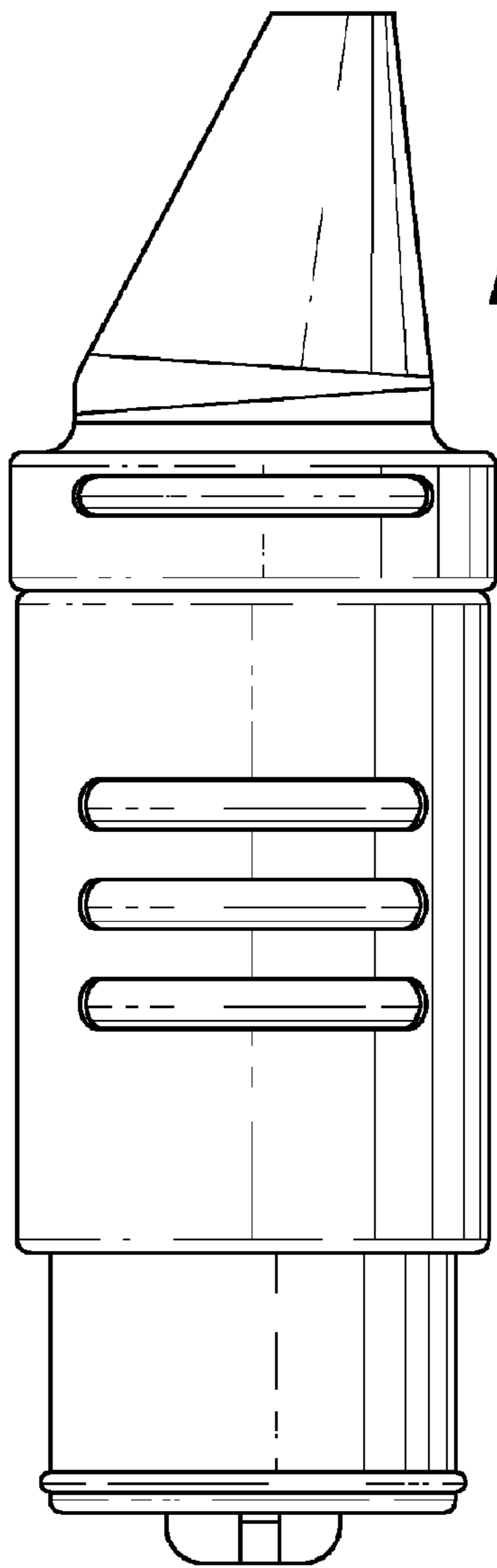


FIG. 6

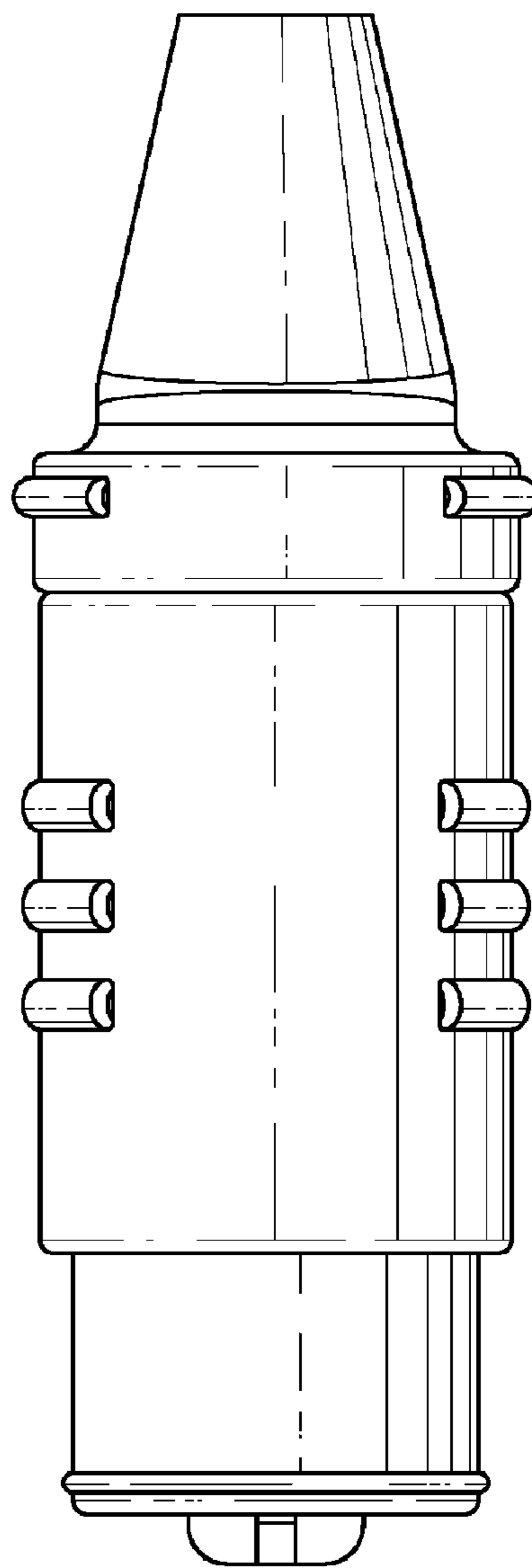


FIG. 7