



US00D635240S

(12) **United States Design Patent**  
**Tohara**

(10) **Patent No.:** **US D635,240 S**  
(45) **Date of Patent:** **\*\* Mar. 29, 2011**

(54) **NASAL PLUG**

(76) Inventor: **Hiroataka Tohara**, Matsuyama (JP)

(\*\*) Term: **14 Years**

(21) Appl. No.: **29/350,508**

(22) Filed: **Nov. 18, 2009**

(30) **Foreign Application Priority Data**

Jun. 12, 2009 (JP) ..... 2009-013351

(51) **LOC (9) Cl.** ..... **24-01**

(52) **U.S. Cl.** ..... **D24/106**

(58) **Field of Classification Search** ..... D24/105-109,  
D24/143; 181/135; 264/41; 606/199; 128/206.11  
See application file for complete search history.

(56) **References Cited**

**U.S. PATENT DOCUMENTS**

2,890,695	A *	6/1959	Safstrom	.....	128/206.11
3,905,335	A *	9/1975	Kapp	.....	128/206.11
D319,878	S *	9/1991	Holland	.....	D24/106
6,562,057	B2 *	5/2003	Santin	.....	606/199
7,105,008	B2 *	9/2006	Maryanka	.....	606/199
D539,907	S *	4/2007	Harrison	.....	D24/143

D571,457	S *	6/2008	Dolezal et al.	.....	D24/106
D576,726	S *	9/2008	Maxwell	.....	D24/135
2003/0209145	A1 *	11/2003	Soper	.....	95/273

\* cited by examiner

*Primary Examiner* — Ian Simmons

*Assistant Examiner* — Charles D Hanson

(74) *Attorney, Agent, or Firm* — Kratz, Quintos & Hanson, LLP

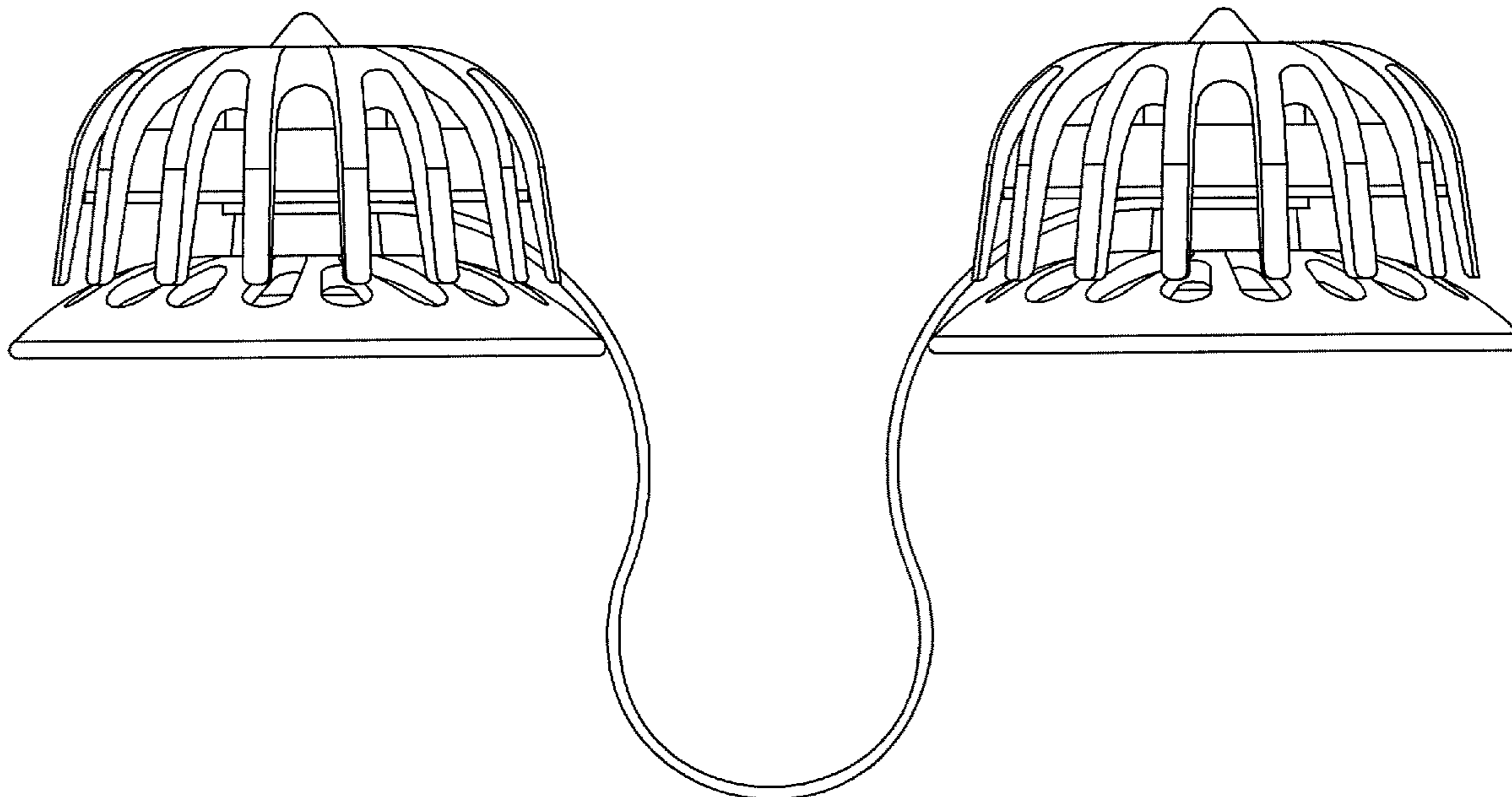
(57) **CLAIM**

The ornamental design of a nasal plug, as shown and described.

**DESCRIPTION**

FIG. 1 is a front view thereof;  
FIG. 2 is a right side view thereof;  
FIG. 3 is a top view thereof;  
FIG. 4 is a bottom view thereof;  
FIG. 5 is a cross section view taken along 5—5 in FIG. 3; and,  
FIG. 6 is a cross section view taken a long 6—6 in FIG. 3.  
The left side view is omitted, since the right side view shows identically.  
The rear view is omitted, since the front view shows identically.

**1 Claim, 6 Drawing Sheets**



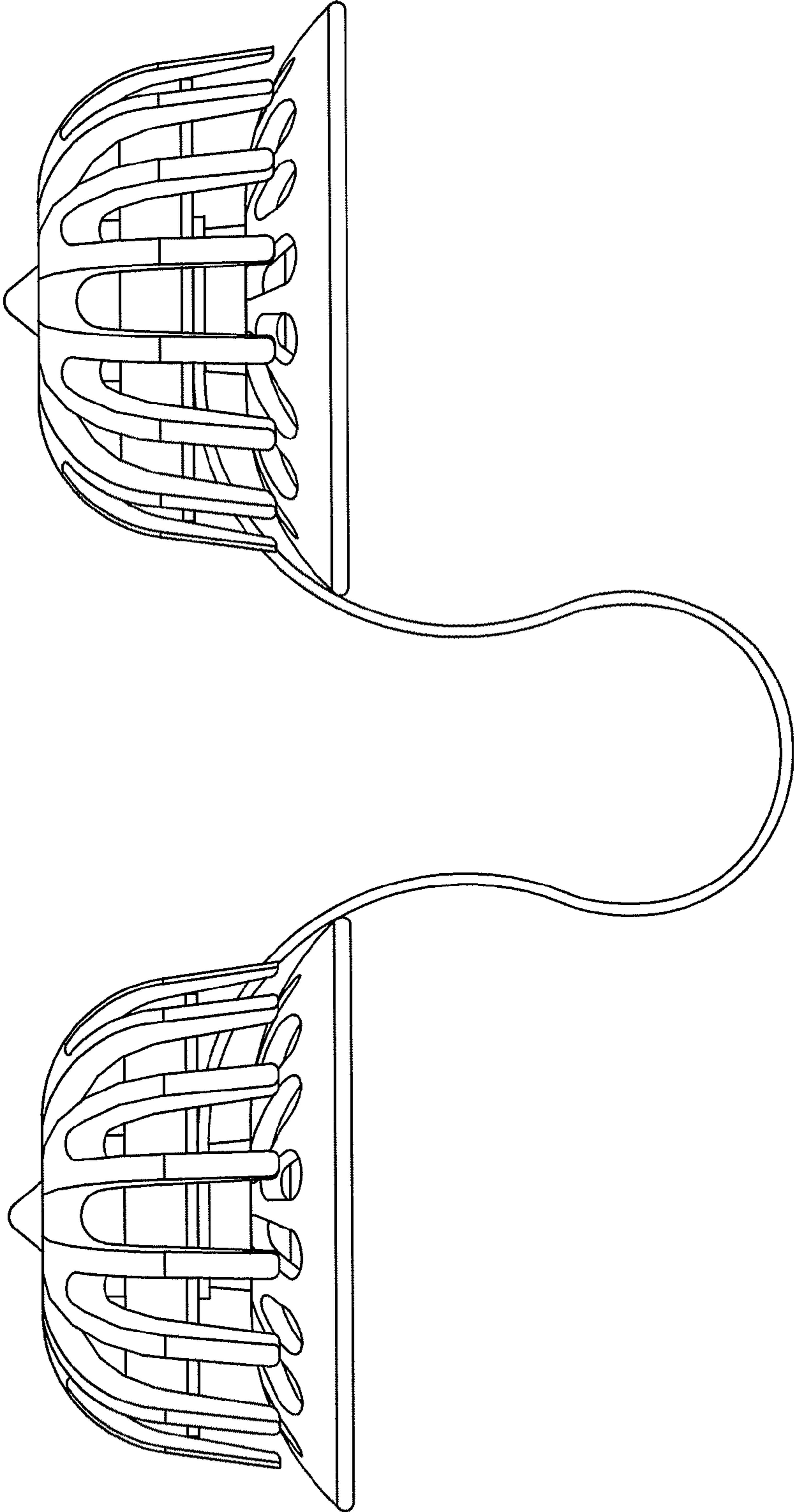


Fig.1

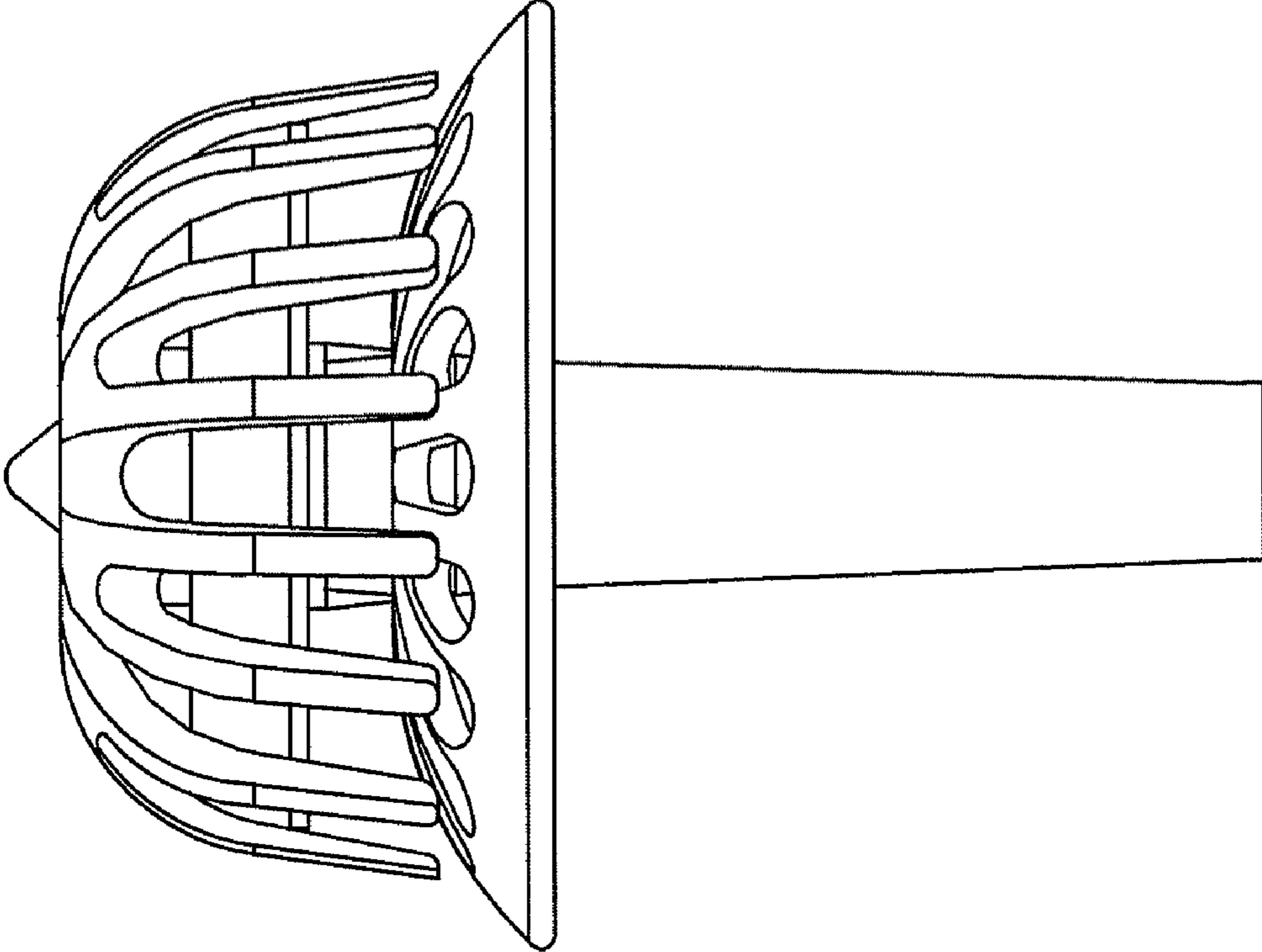


Fig. 2

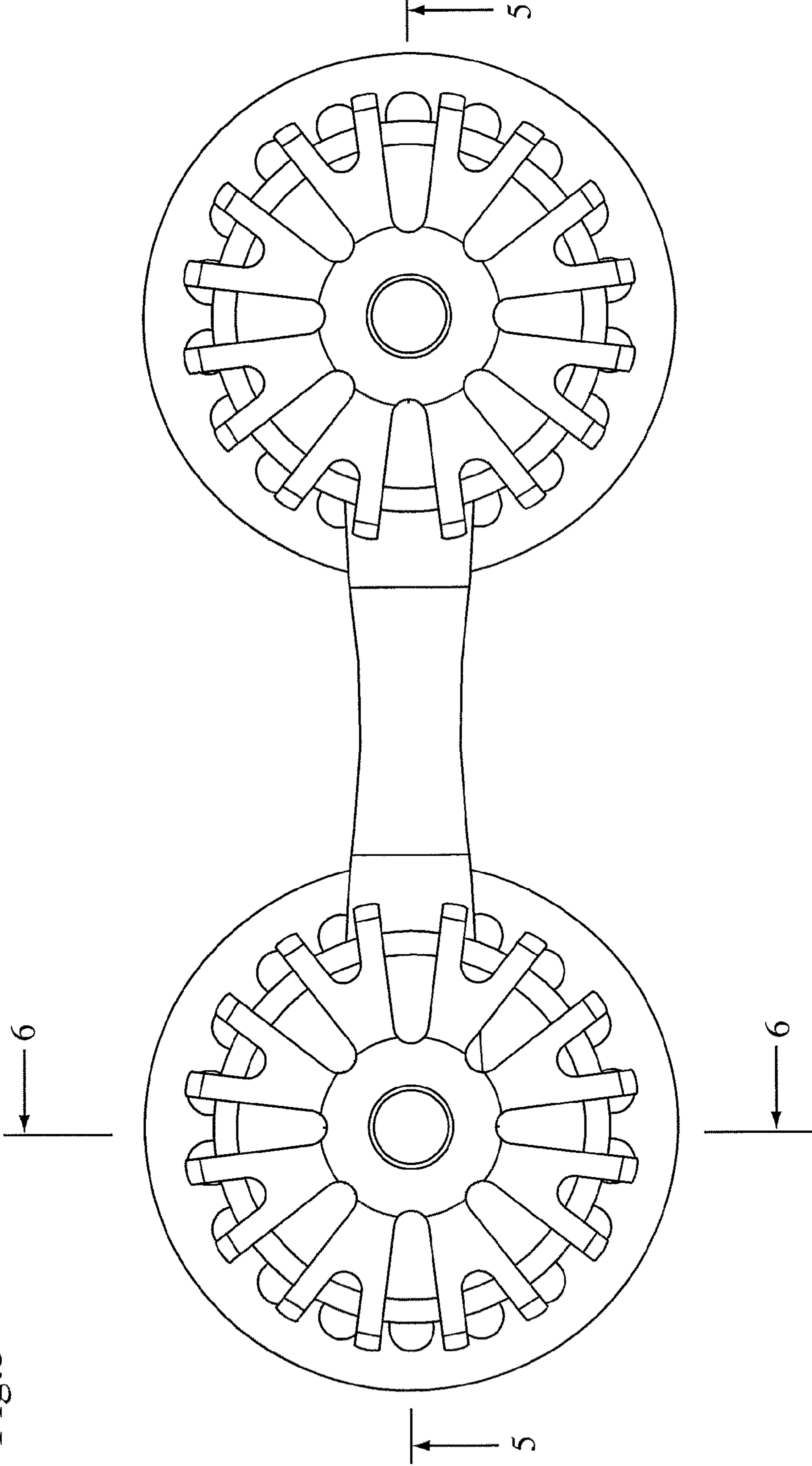


Fig.3

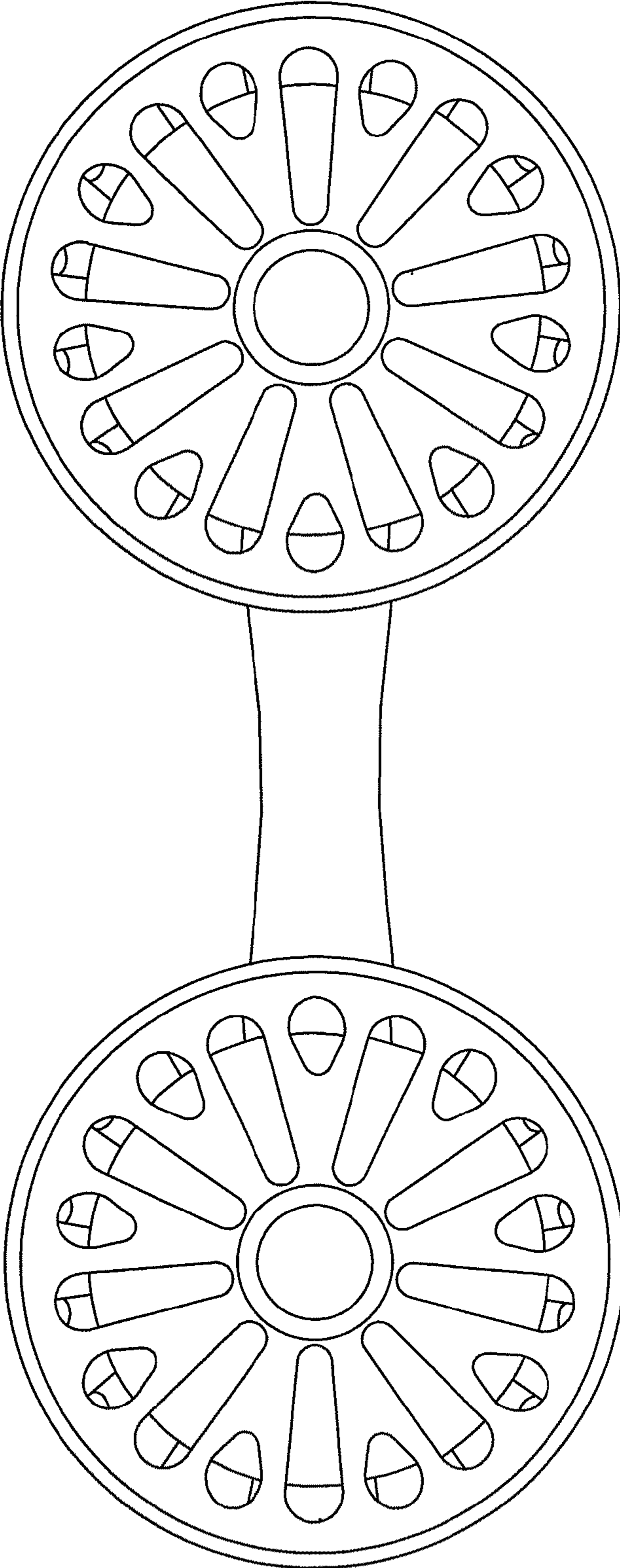


Fig.4

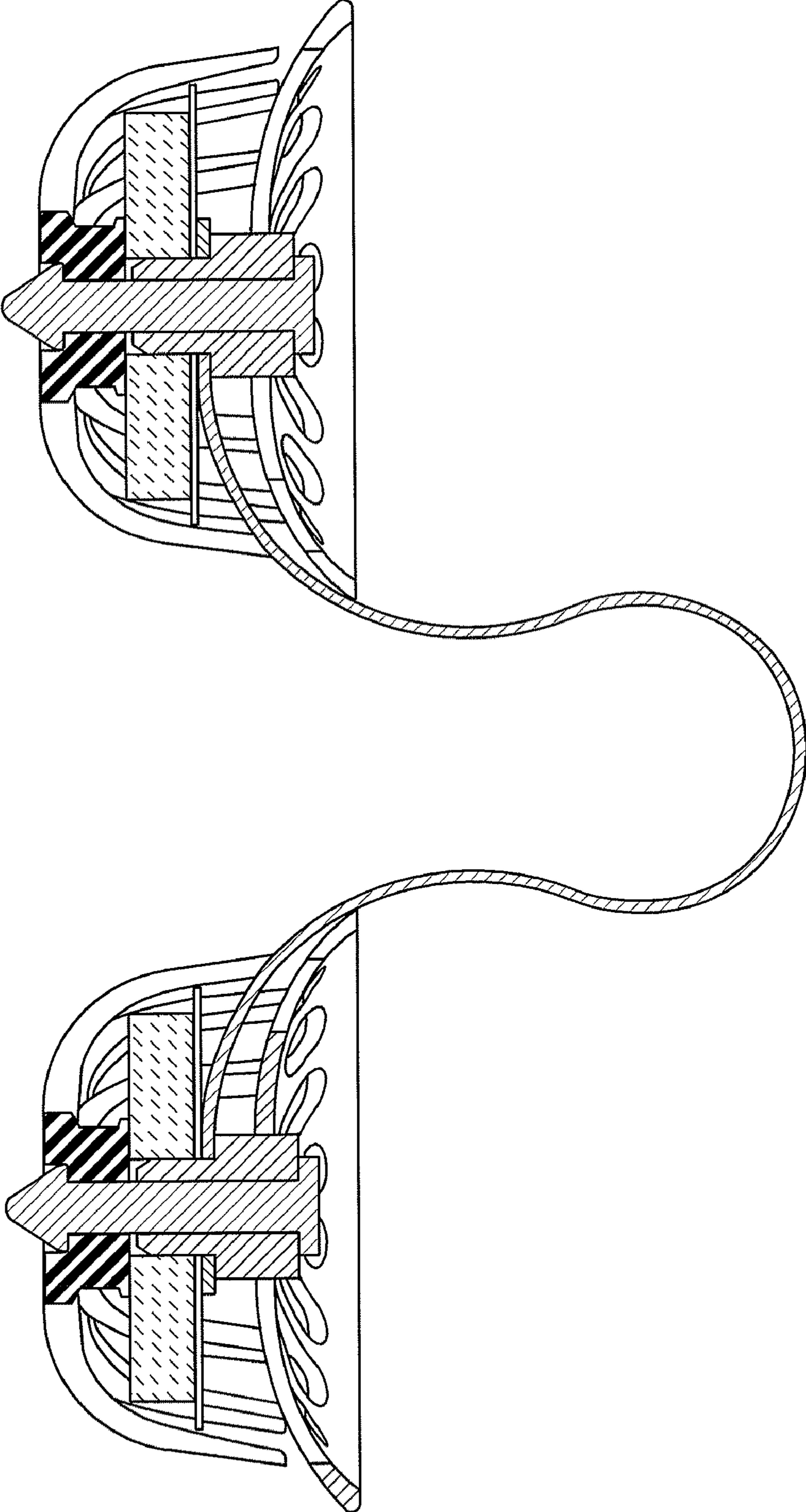


Fig.5

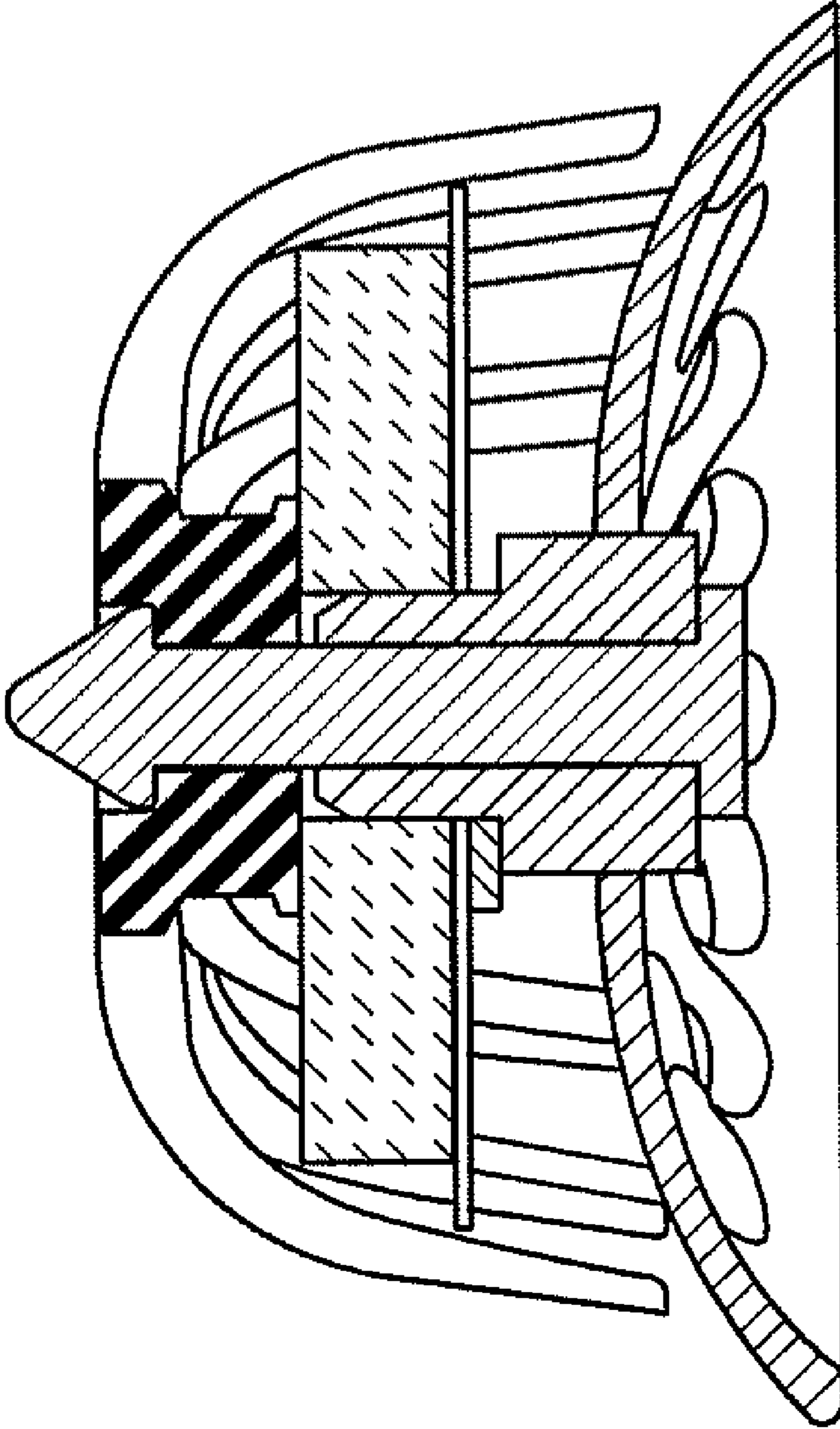


Fig.6