



US00D635239S

(12) **United States Design Patent**  
**Liebson et al.**

(10) **Patent No.:** **US D635,239 S**

(45) **Date of Patent:** **\*\* \*Mar. 29, 2011**

(54) **DRAFT BLOCKER**

(75) Inventors: **Steven Allan Liebson**, Ein Sarid (IL);  
**Robert Cohen**, Ein Sarid (IL); **Graeme**  
**Anthony Liebson**, Ein Sarid (IL)

(73) Assignee: **GLV International (1995) Ltd.**,  
Raanana (IL)

(\*) Notice: This patent is subject to a terminal dis-  
claimer.

(\*\*) Term: **14 Years**

(21) Appl. No.: **29/354,416**

(22) Filed: **Jan. 24, 2010**

(51) **LOC (9) Cl.** ..... **23-04**

(52) **U.S. Cl.** ..... **D23/393**

(58) **Field of Classification Search** ..... D23/385-395,  
D23/397, 370-373, 365, 351, 354, 399-403,  
D23/342, 366, 356; 454/309, 275-277, 284,  
454/287-291, 270, 369, 259; 251/305; 126/292  
See application file for complete search history.

(56) **References Cited**

U.S. PATENT DOCUMENTS

4,559,867 A \* 12/1985 Van Becelaere et al. .... 454/369  
4,569,110 A \* 2/1986 Goettel ..... 126/292

4,625,626	A *	12/1986	Aalto et al. ....	454/369
4,958,687	A *	9/1990	Nakagawa .....	454/369
D393,709	S *	4/1998	Nishizawa .....	D23/390
5,857,617	A *	1/1999	Weng .....	251/305
6,708,949	B2 *	3/2004	Twito .....	251/305
7,032,883	B2 *	4/2006	Boardman et al. ....	251/305
D558,325	S *	12/2007	Karnes .....	D23/393
7,442,120	B2 *	10/2008	Poirier et al. ....	454/270
D601,180	S *	9/2009	Takeda .....	D23/371
D604,828	S *	11/2009	Krohmer et al. ....	D23/393
D612,925	S *	3/2010	Kameyama et al. ....	D23/393

\* cited by examiner

*Primary Examiner* — T. Chase Nelson

*Assistant Examiner* — David G Muller

(74) *Attorney, Agent, or Firm* — Edward Langer, Adv.; Law  
Offices of Edward Langer

(57) **CLAIM**

The ornamental design for a draft blocker, as shown and  
described.

**DESCRIPTION**

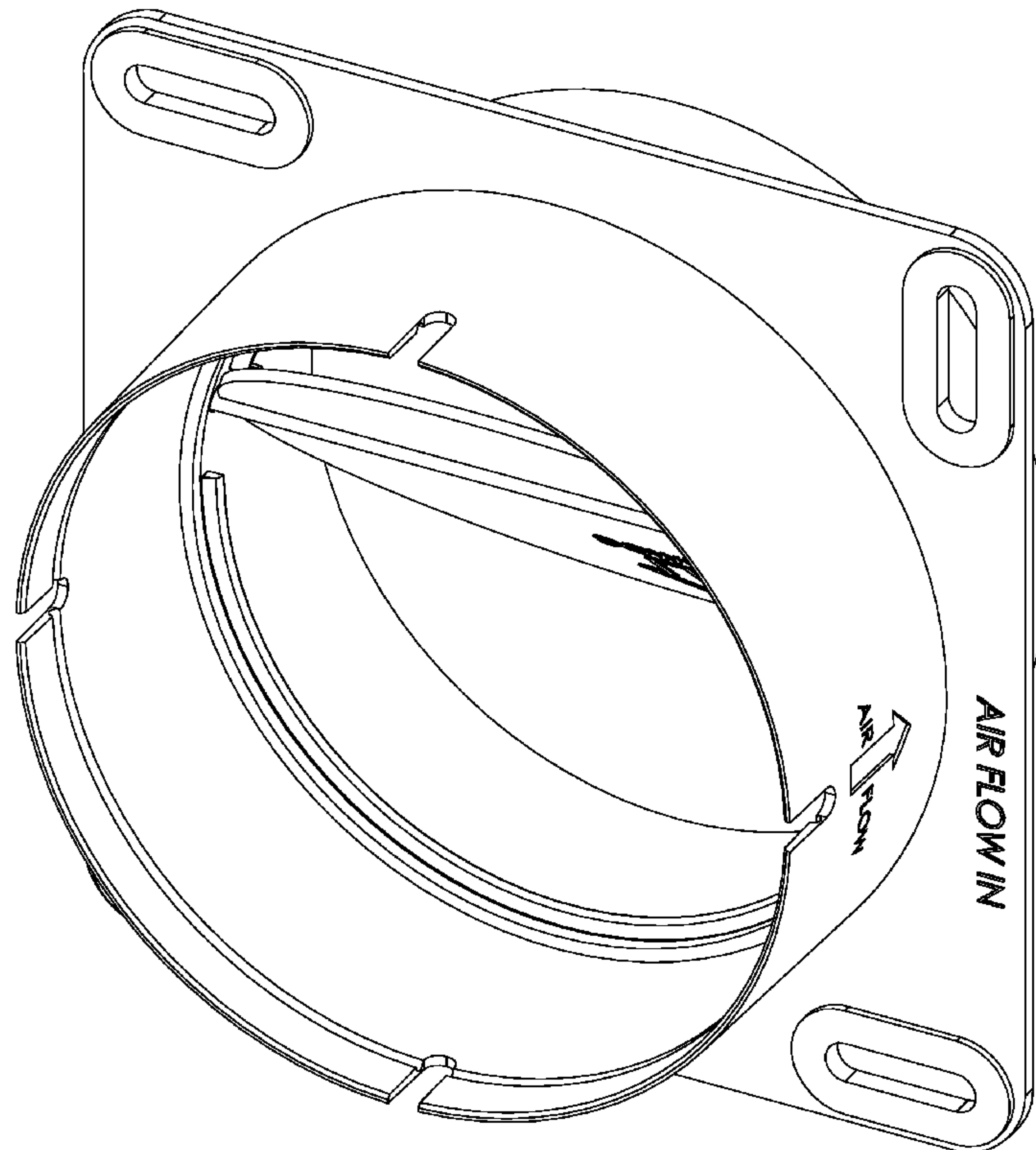
FIG. 1 is a front perspective view of a draft blocker showing  
our new design;

FIG. 2 is a front view of the design of FIG. 1;

FIG. 3 is a side view of the design of FIG. 1; and,

FIG. 4 is a top view of the design of FIG. 1.

**1 Claim, 4 Drawing Sheets**



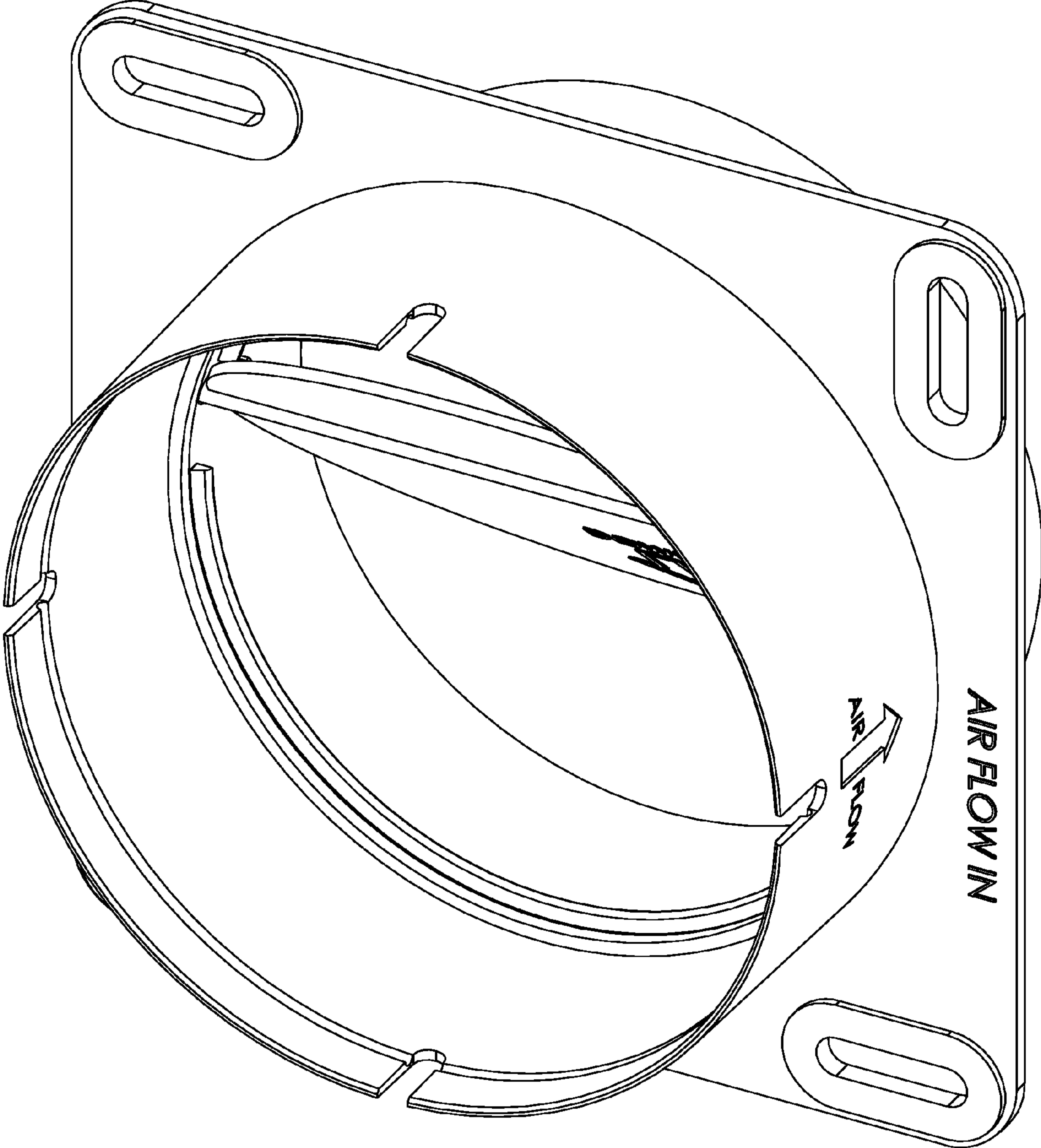


FIG. 1

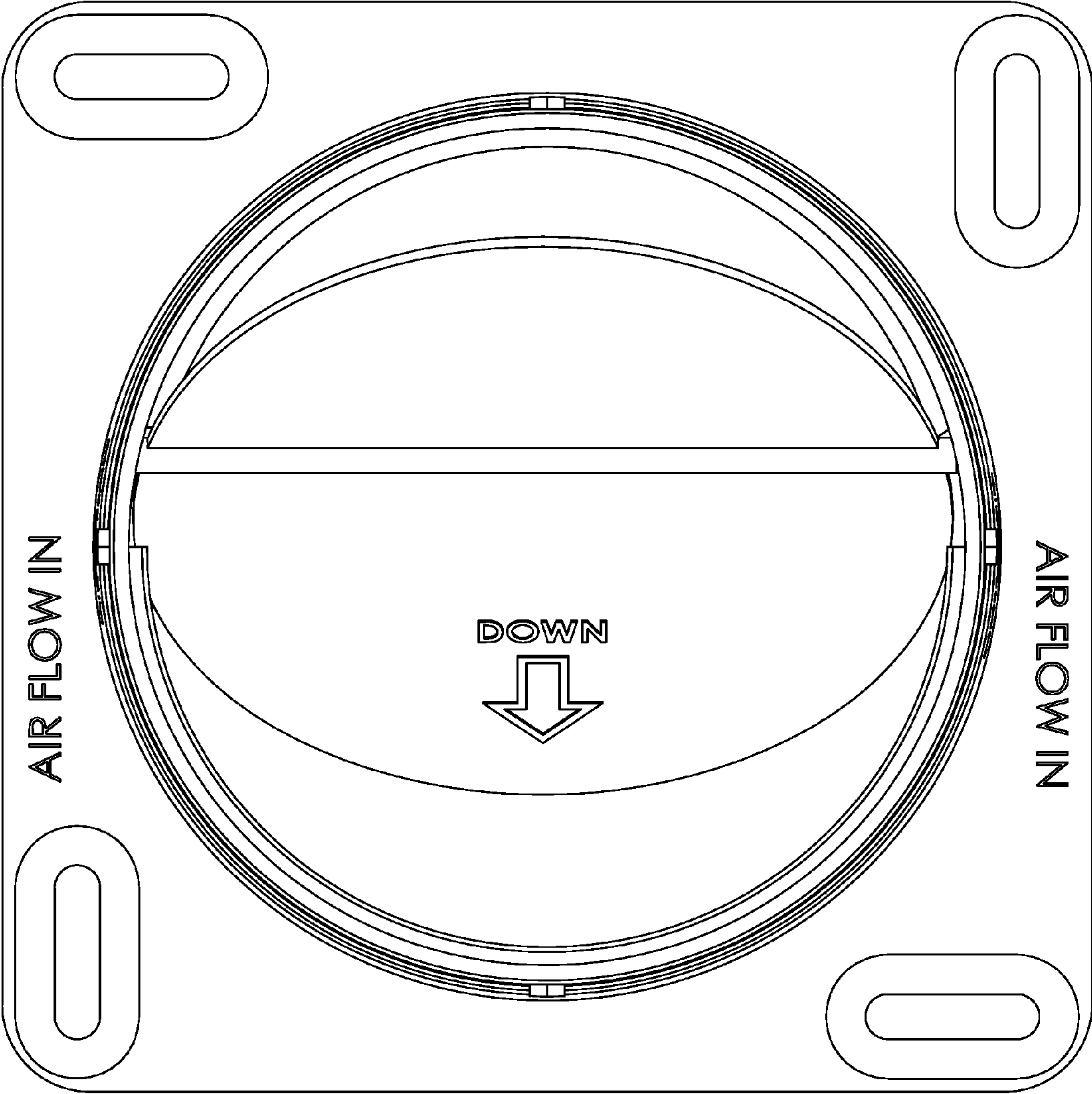


FIG. 2

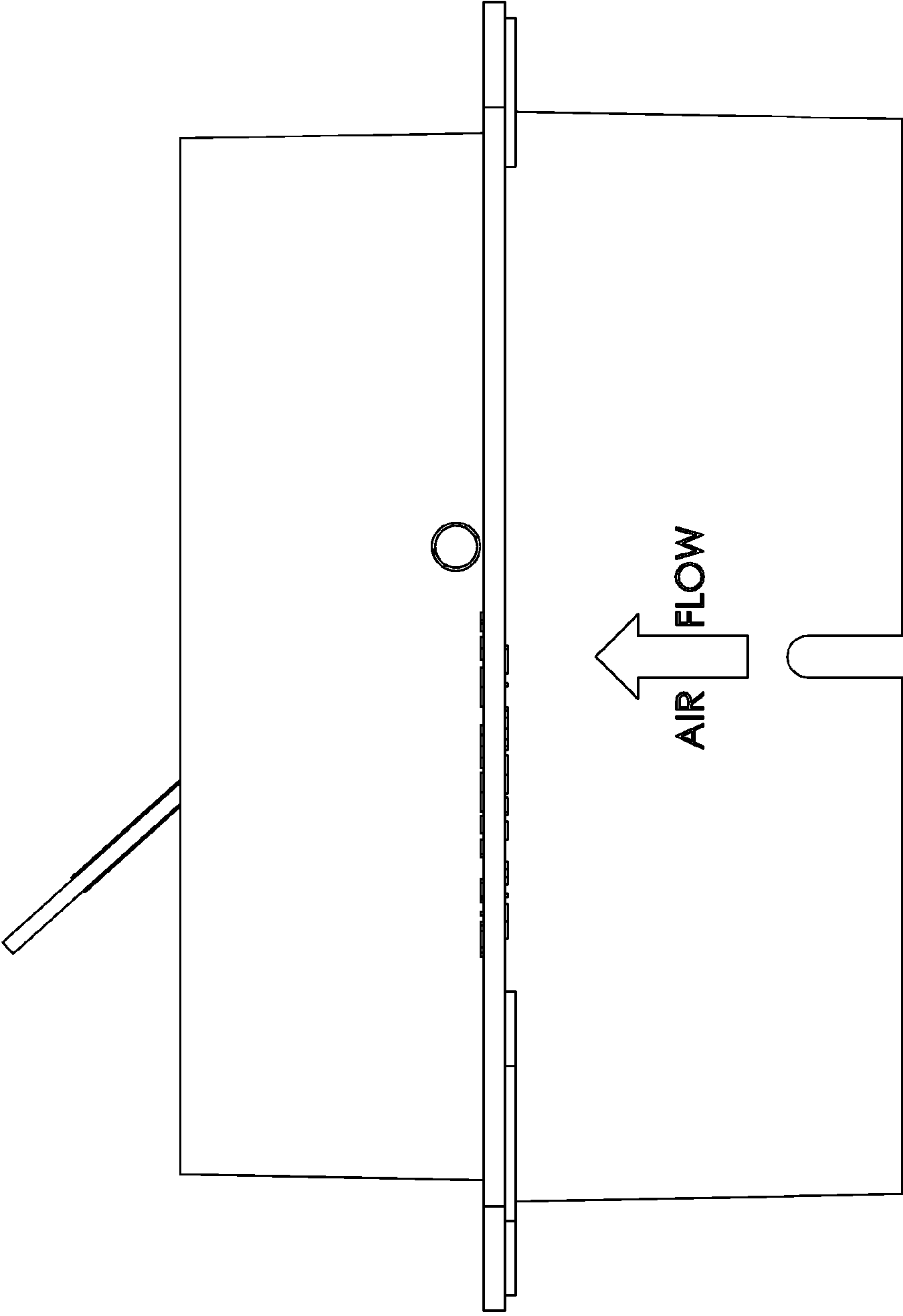


FIG. 3

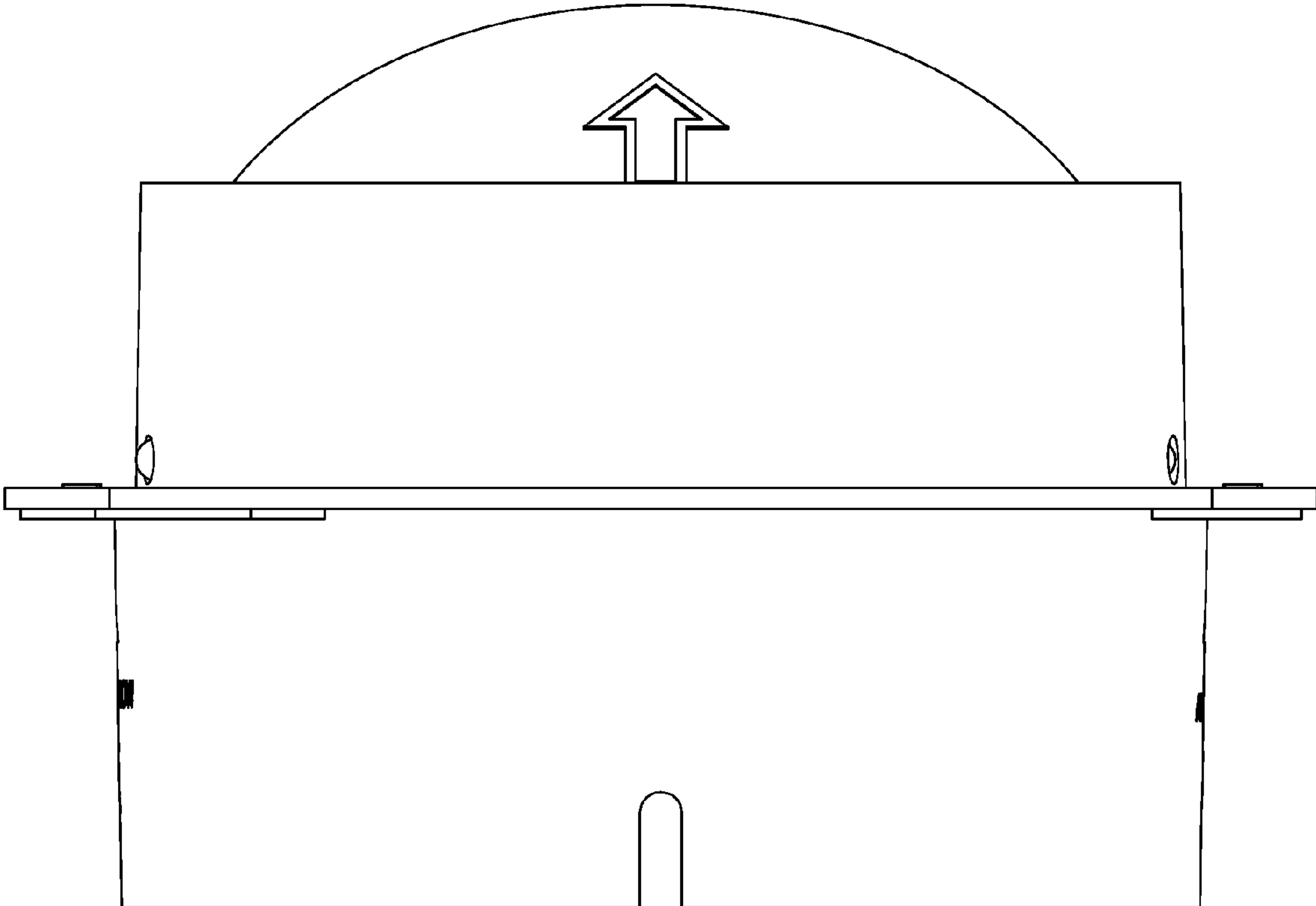


FIG. 4