



US00D635237S

(12) **United States Design Patent**  
**Fizer**

(10) **Patent No.:** **US D635,237 S**

(45) **Date of Patent:** **\*\* \*Mar. 29, 2011**

(54) **FAN WITH GROUND SUPPORT**

(75) **Inventor:** **Richard W. Fizer**, Lexington, KY (US)

(73) **Assignee:** **Delta T Corporation**, Lexington, KY (US)

(\*) **Notice:** This patent is subject to a terminal disclaimer.

(\*\*) **Term:** **14 Years**

(21) **Appl. No.:** **29/356,978**

(22) **Filed:** **Mar. 5, 2010**

(51) **LOC (9) Cl.** ..... **23-04**

(52) **U.S. Cl.** ..... **D23/377**

(58) **Field of Classification Search** ..... D23/377,  
D23/379, 385, 411, 413; 416/5, 210 R  
See application file for complete search history.

(56) **References Cited**

**U.S. PATENT DOCUMENTS**

D298,454	S	*	11/1988	Clyde-Mason	.....	D23/385
D303,425	S	*	9/1989	Sonneman	.....	D23/385
D345,790	S	*	4/1994	Caldwell	.....	D23/377
6,244,821	B1		6/2001	Boyd		
6,939,108	B2		9/2005	Boyd		
7,252,478	B2		8/2007	Aynsley		
7,284,960	B2		10/2007	Aynsley		
D587,799	S		3/2009	Oleson		
D607,988	S		1/2010	Oleson et al.		
2008/0008596	A1		1/2008	Aynsley et al.		
2008/0014090	A1		1/2008	Aynsley et al.		
2008/0213097	A1		9/2008	Oleson et al.		
2009/0072108	A1		3/2009	Oleson		
2009/0081045	A1		3/2009	Scherer et al.		
2009/0097975	A1		4/2009	Aynsley et al.		

2009/0162197	A1	6/2009	Klemo et al.
2009/0208333	A1	8/2009	Smith et al.
2010/0104461	A1	4/2010	Smith et al.

**FOREIGN PATENT DOCUMENTS**

WO	WO 2009/100052	8/2009
----	----------------	--------

**OTHER PUBLICATIONS**

- U.S. Appl. No. 29/356,980, filed Mar. 5, 2010, Fizer et al.
- U.S. Appl. No. 61/165,582, filed Apr. 1, 2009, Woolcott.
- U.S. Appl. No. 61/248,258, filed Oct. 2, 2009, Aynsley.
- U.S. Appl. No. 61/310,512, filed Mar. 4, 2010, Toy.
- U.S. Appl. No. 61/326,855, filed Apr. 22, 2010, Fizer et al.

\* cited by examiner

*Primary Examiner* — Lisa P Lichtenstein

(74) *Attorney, Agent, or Firm* — Frost Brown Todd LLC

(57) **CLAIM**

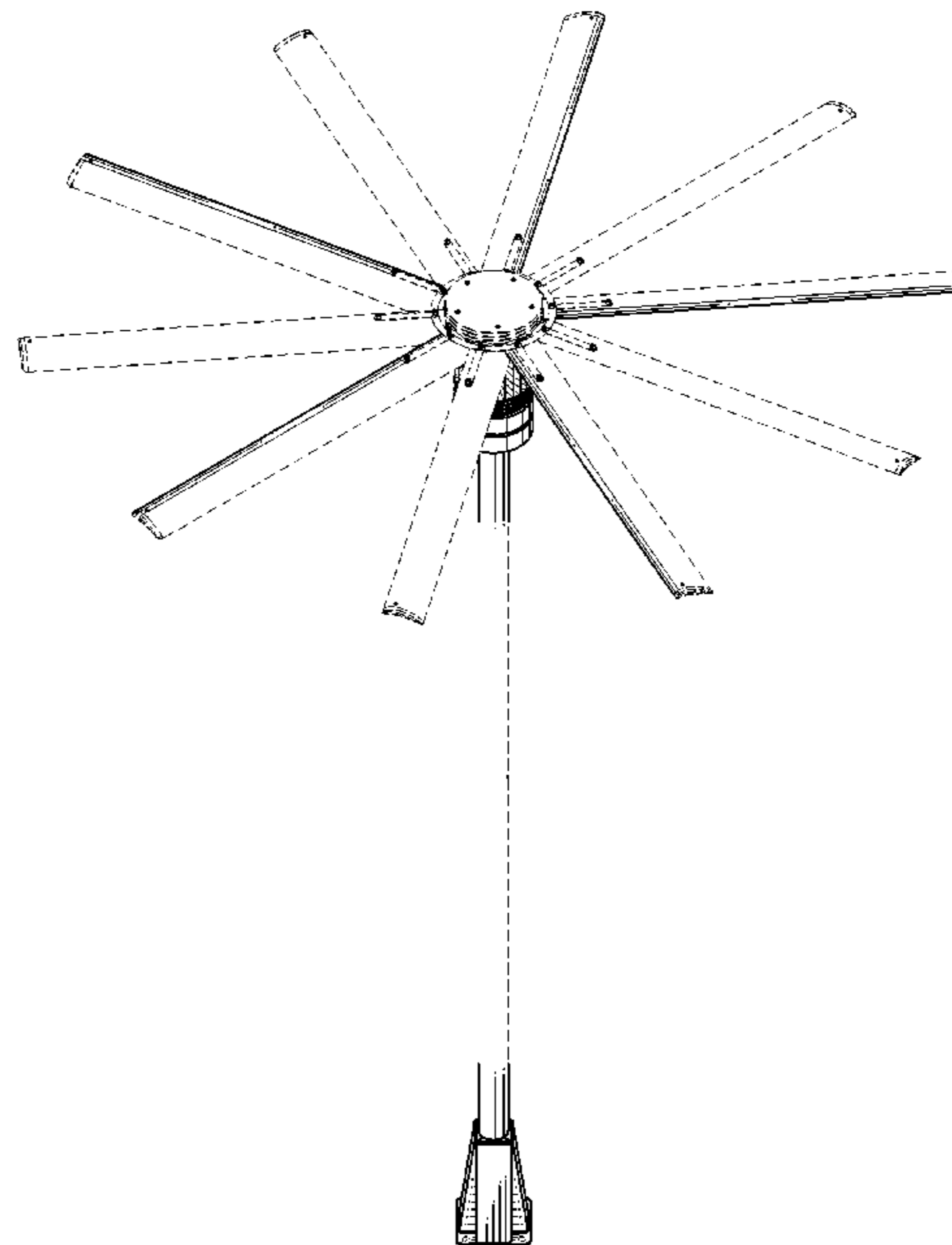
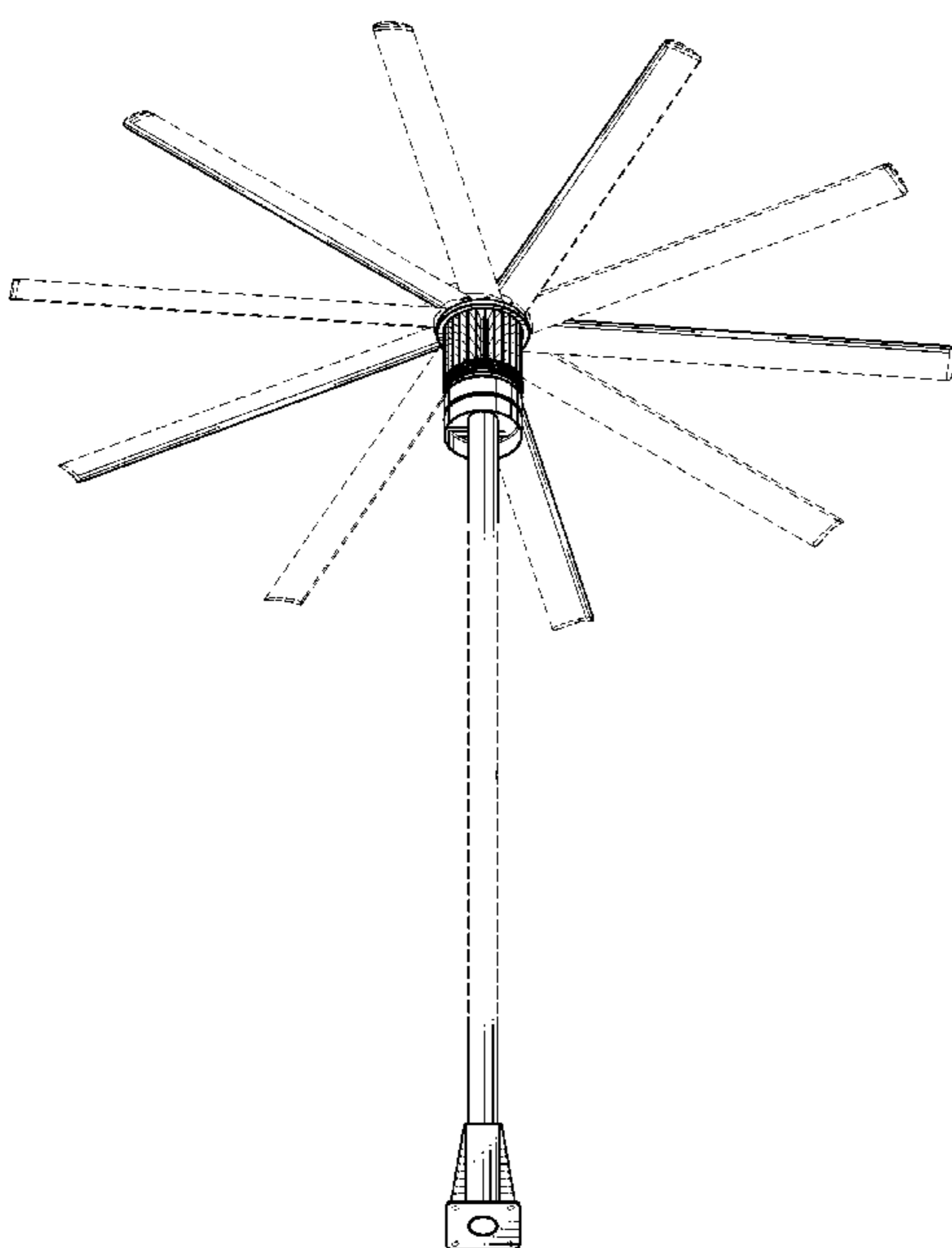
The ornamental design for a fan with ground support, as shown and described.

**DESCRIPTION**

FIG. 1 is a bottom perspective view of a fan with ground support, showing my new design;  
 FIG. 2 is a top perspective view thereof;  
 FIG. 3 is a top plan view thereof;  
 FIG. 4 is a bottom plan view thereof;  
 FIG. 5 is a front elevational view thereof;  
 FIG. 6 is a right elevational view thereof;  
 FIG. 7 is a back elevational view thereof; and,  
 FIG. 8 is a left elevational view thereof.

The support tube portions, fan blades, fan blade portions, upper plates, retainers, and fasteners shown in broken lines are unclaimed environment, and form no part of the claimed design.

**1 Claim, 8 Drawing Sheets**



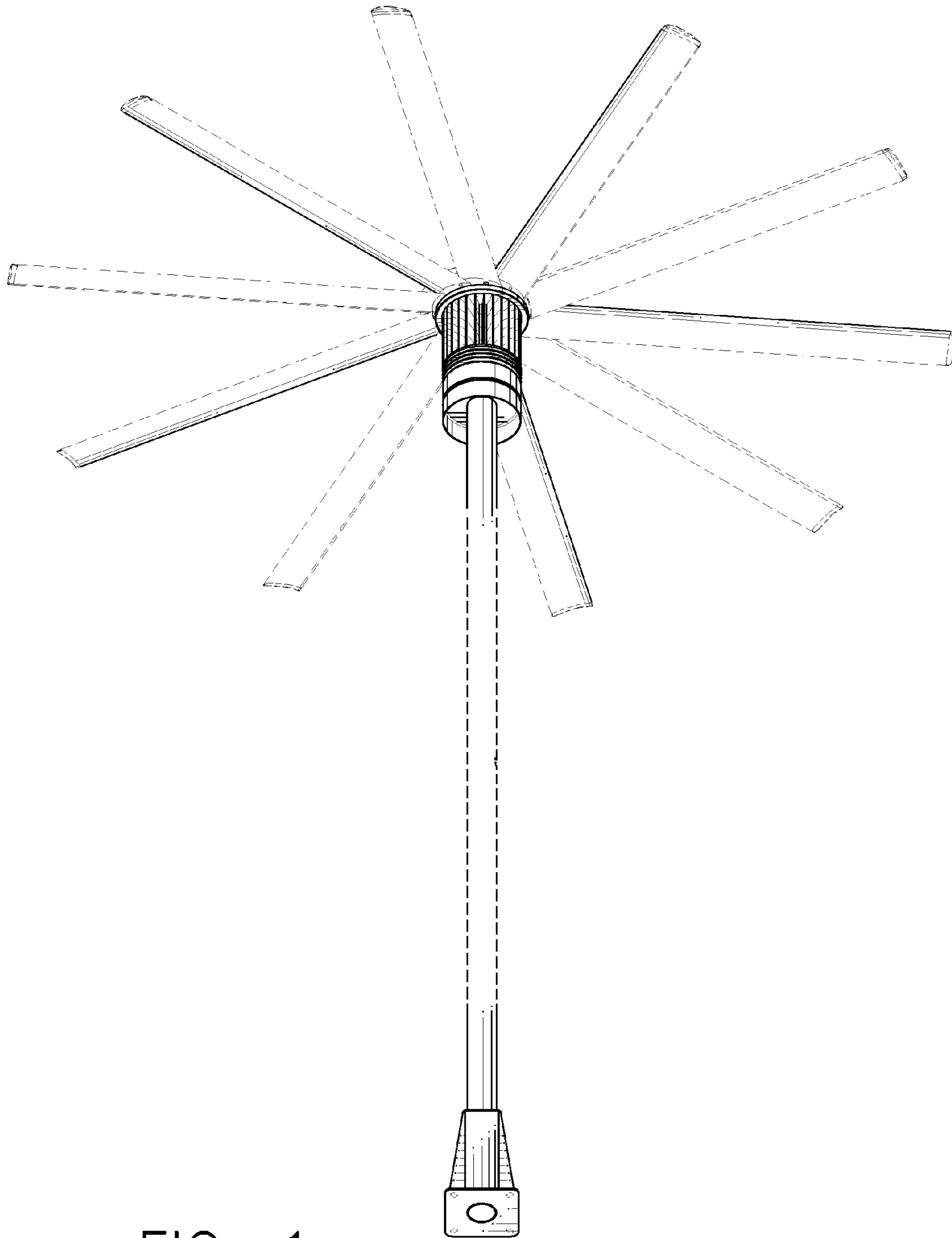


FIG. 1

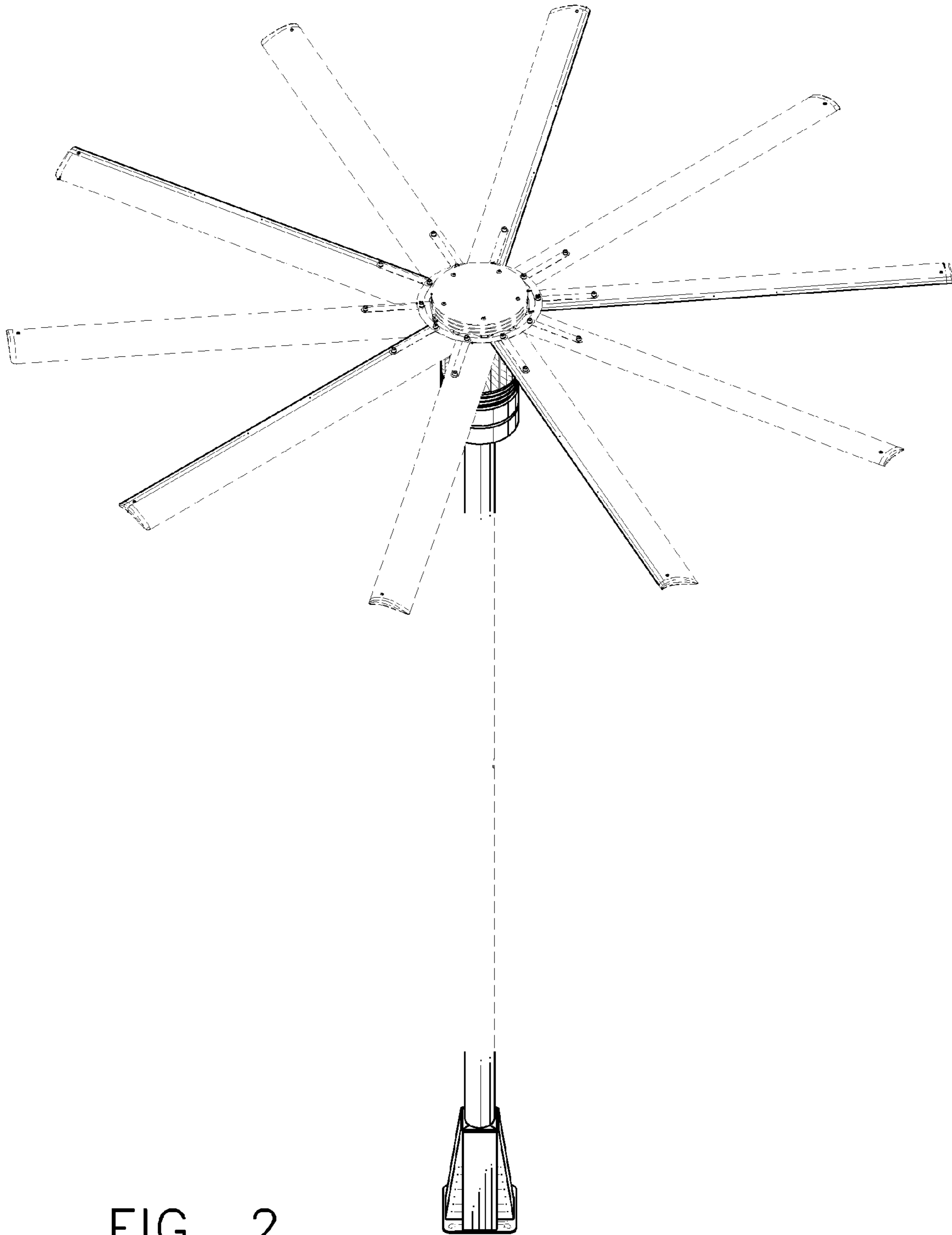


FIG. 2

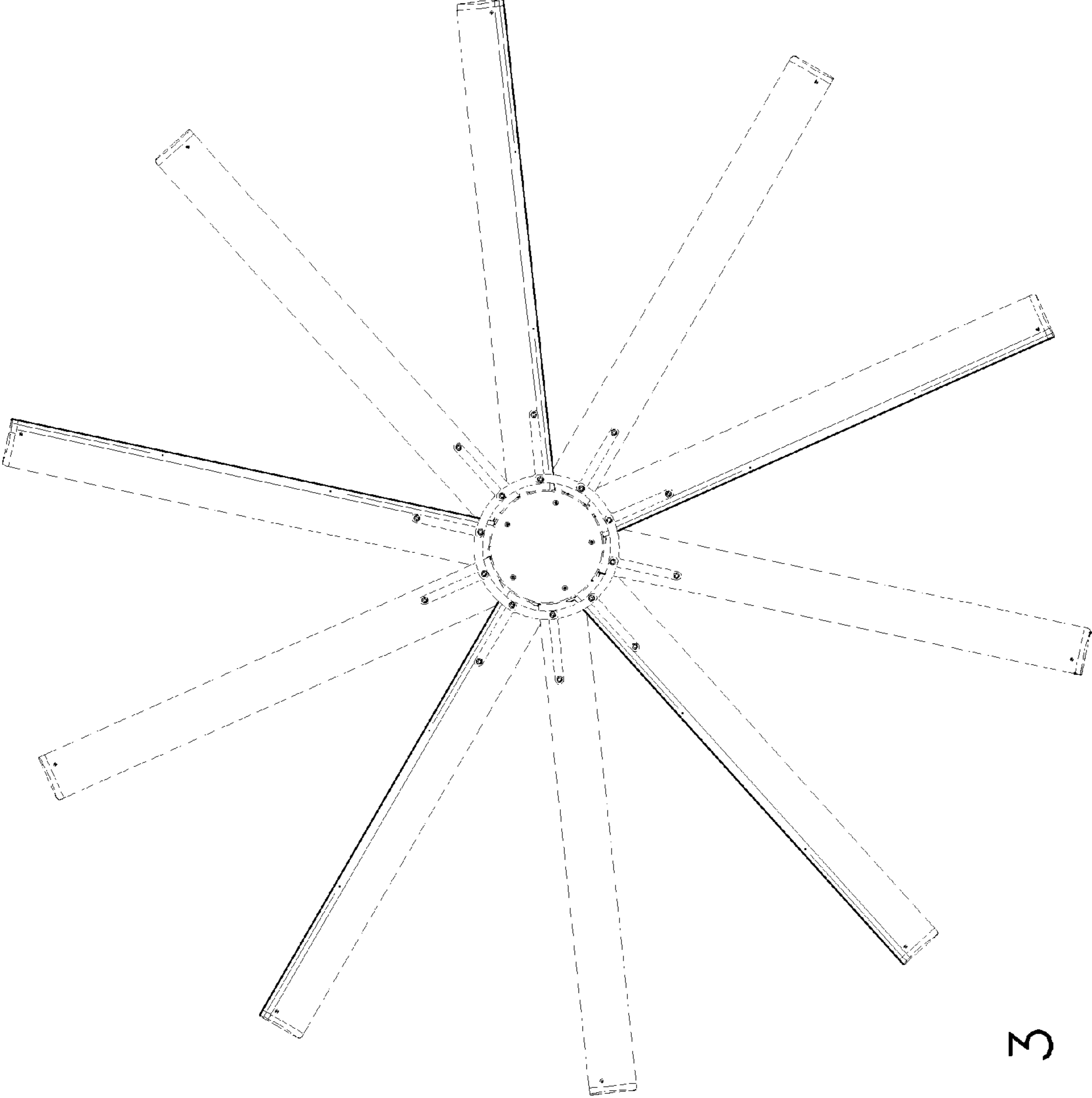


FIG. 3

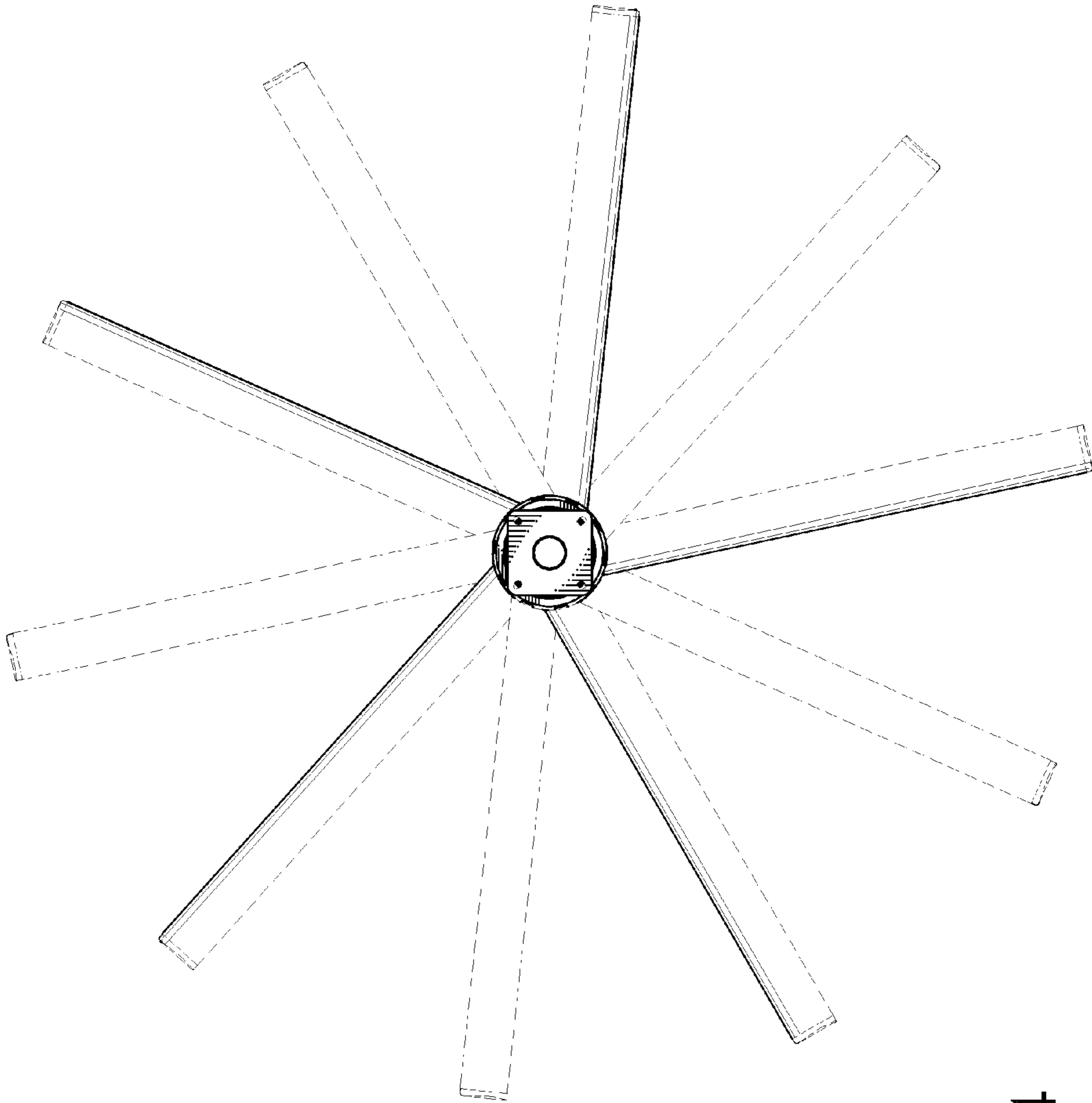


FIG. 4

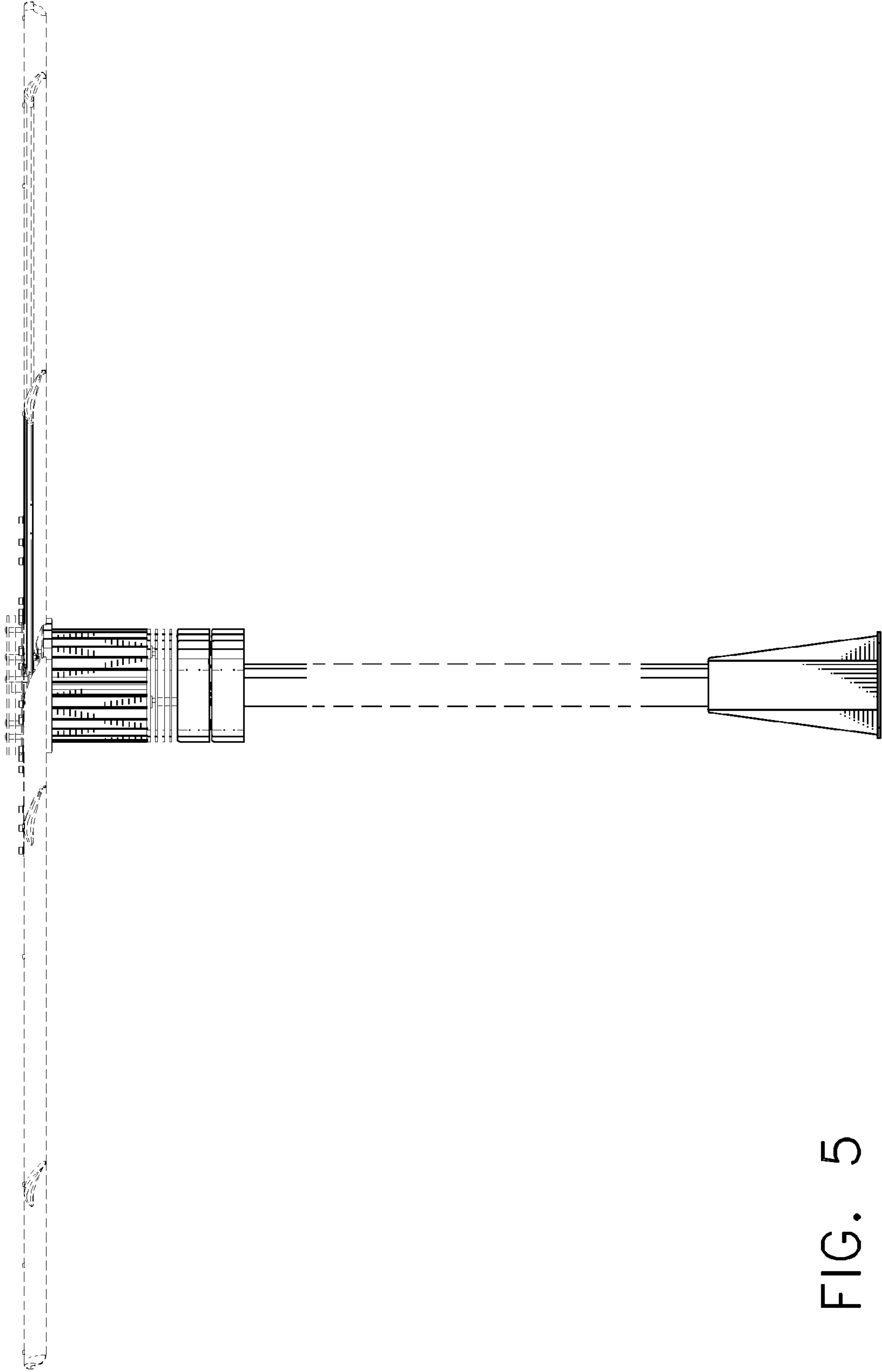


FIG. 5

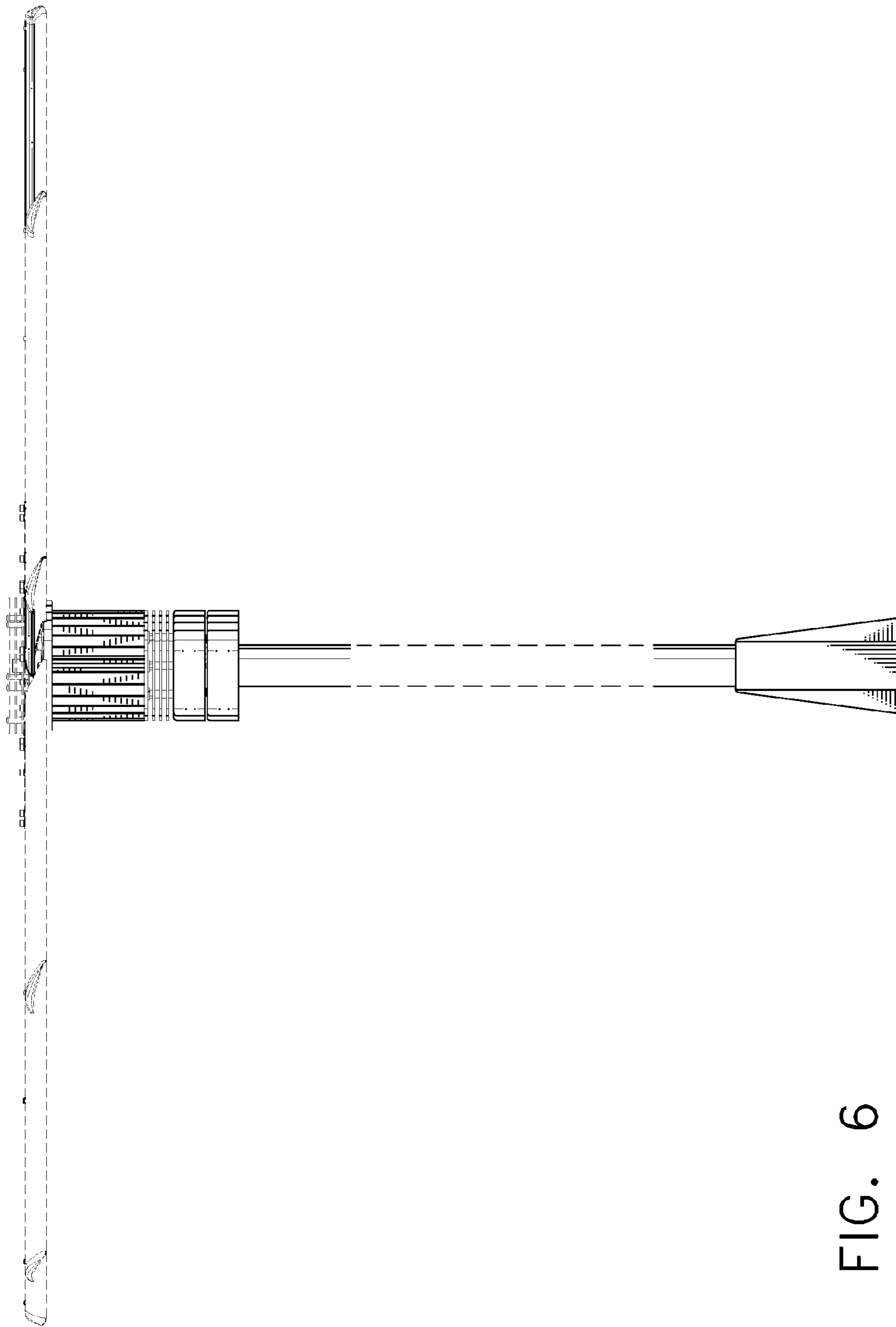


FIG. 6

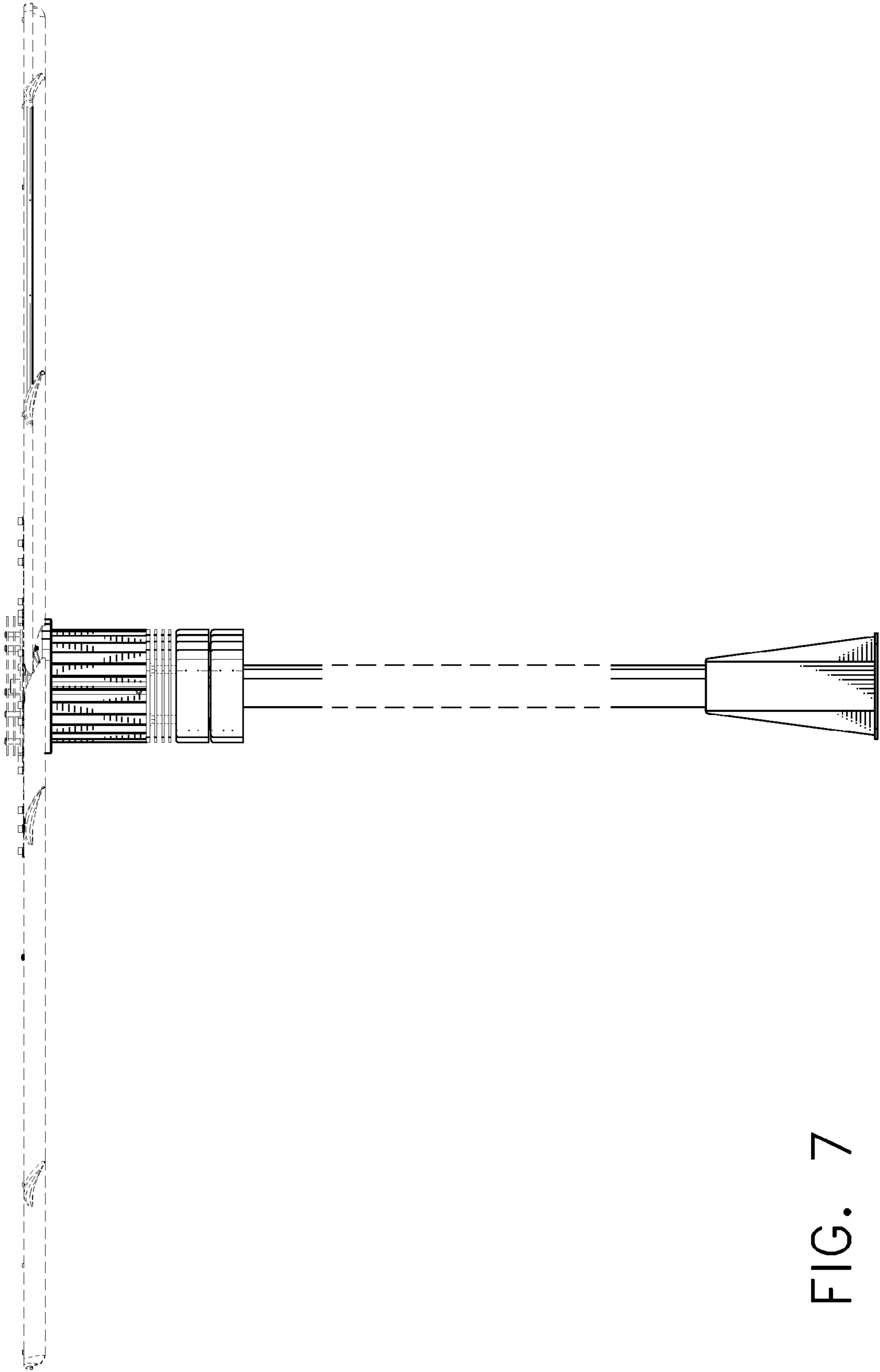


FIG. 7



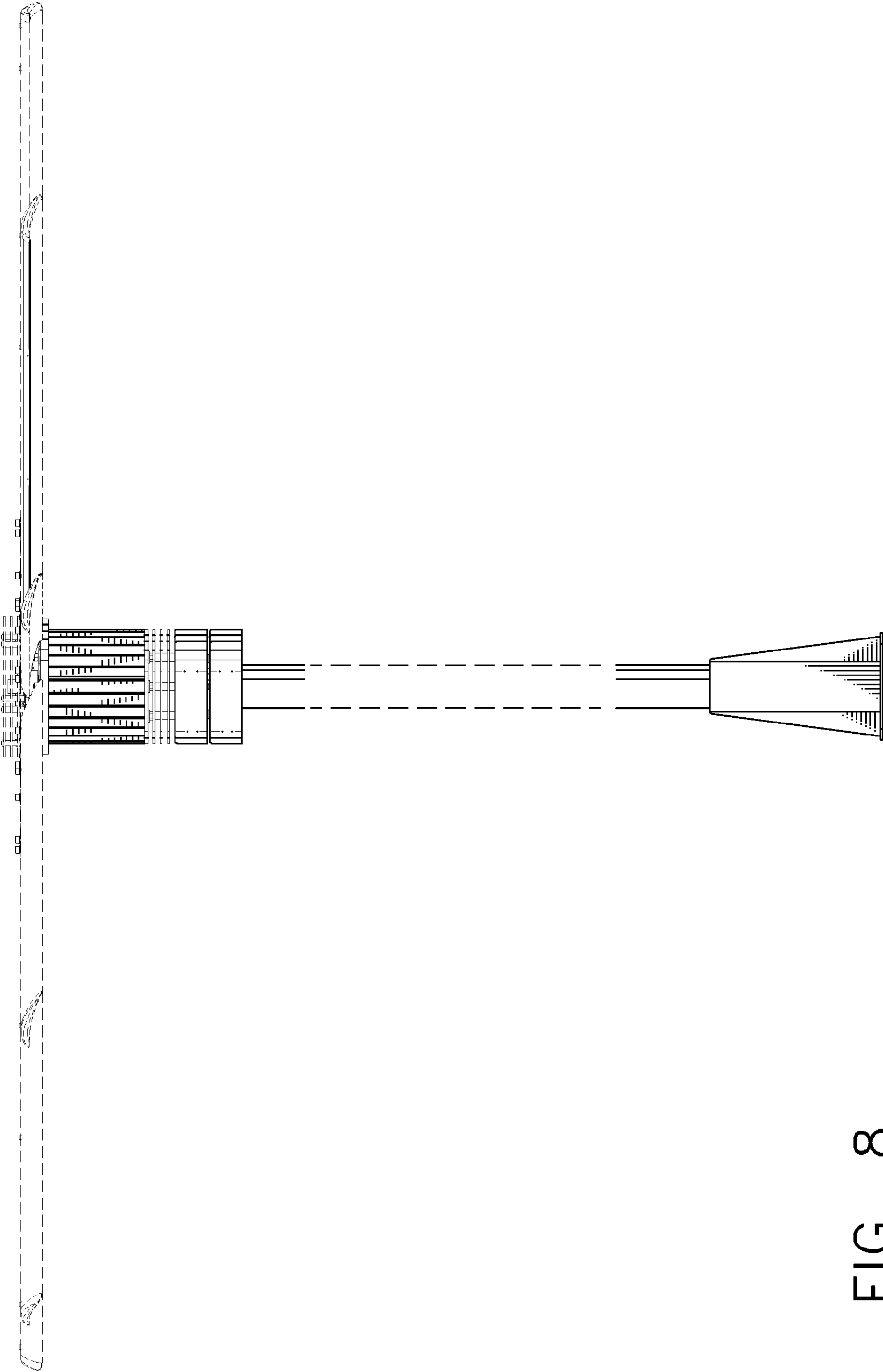


FIG. 8