



US00D635236S

(12) **United States Design Patent**
Orozco

(10) **Patent No.:** **US D635,236 S**
(45) **Date of Patent:** **** Mar. 29, 2011**

- (54) **CEILING FAN HOUSING**
- (75) Inventor: **Sergio Orozco**, New York, NY (US)
- (73) Assignee: **Chien Luen Industries Co., Ltd., Inc.**,
Oakland Park, FL (US)
- (**) Term: **14 Years**
- (21) Appl. No.: **29/312,376**
- (22) Filed: **Oct. 17, 2008**

- D426,631 S 6/2000 Thakur
- D426,879 S 6/2000 Gajewski
- D427,822 S 7/2000 Greger
- D443,352 S 6/2001 Lantz
- D444,552 S 7/2001 Wang
- D451,997 S 12/2001 Schwartz
- D454,636 S 3/2002 Lantz
- D459,467 S 6/2002 Wilson, Jr.
- D462,756 S 9/2002 Liu

(Continued)

Primary Examiner — Lisa P Lichtenstein
(74) *Attorney, Agent, or Firm* — Brian S. Steinberger; Law
Offices of Brian S. Steinberger, P.A.

Related U.S. Application Data

- (62) Division of application No. 29/320,382, filed on Jun. 26, 2008, now Pat. No. Des. 586,902.
- (51) **LOC (9) Cl.** **23-04**
- (52) **U.S. Cl.** **D23/377**
- (58) **Field of Classification Search** D23/377,
D23/379, 385, 411, 413; 416/5
See application file for complete search history.

(57) **CLAIM**
The ornamental design for a ceiling fan housing, as shown
and described.

DESCRIPTION

FIG. 1 is a lower front side perspective view of a second embodiment design of the ceiling fan motor housing with blades.

FIG. 2 is an upper front side perspective view of a second embodiment design of FIG. 1.

FIG. 3 is a front side view of the second embodiment design of FIG. 1.

FIG. 4 is a rear side view of the second embodiment design of FIG. 1.

FIG. 5 is a right side view of the second embodiment design of FIG. 1.

FIG. 6 is a left side view of the second embodiment design of FIG. 1.

FIG. 7 is a top view of the second embodiment design of FIG. 1; and,

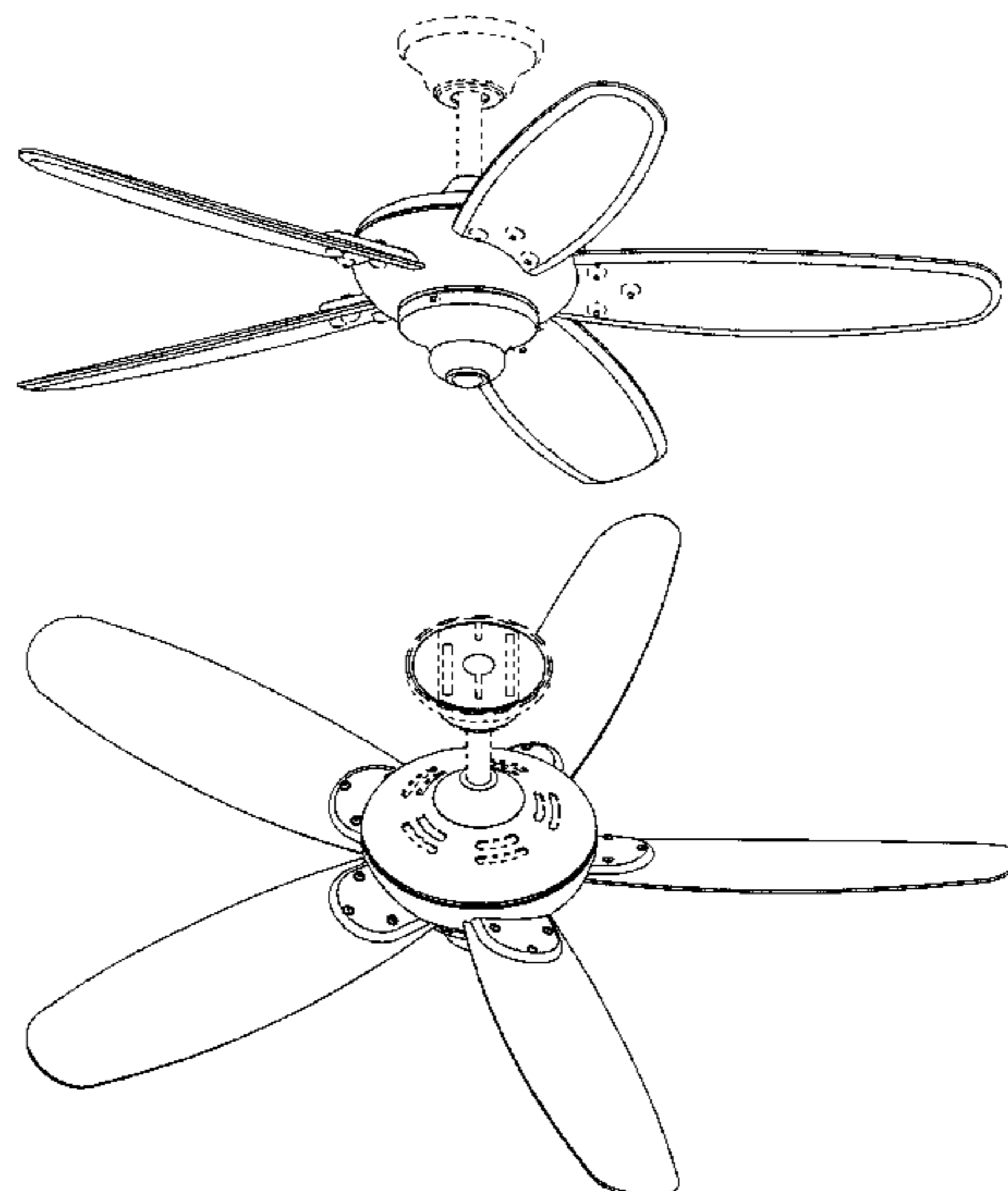
FIG. 8 is a bottom view of the second embodiment design of FIG. 1.

The broken line showing of the canopy, support rod, blade end fasteners and motor vent openings is included for the purpose of illustrating environmental structure and forms no part of the claimed design.

(56) **References Cited**
U.S. PATENT DOCUMENTS

4,474,407 A	10/1984	Nazar
D307,320 S	4/1990	Shin-Chin
D322,669 S	12/1991	Yamamoto et al.
D323,885 S	2/1992	Wortham
D329,284 S	9/1992	Patton
D345,865 S	4/1994	Tintori
D364,224 S	11/1995	Wang
D371,838 S	7/1996	Davis, Jr. et al.
D378,404 S	3/1997	Jasper-Fayer
D384,738 S	10/1997	Jane
D402,026 S	12/1998	Chuang et al.
D408,518 S	4/1999	Liu
D411,295 S	6/1999	Evans
D411,688 S	6/1999	Horton
D412,571 S	8/1999	Lee
D414,856 S	10/1999	Zuege
D416,617 S	11/1999	Jane et al.
D421,799 S	3/2000	Zuege
D422,072 S	3/2000	Blateri
D423,093 S	4/2000	Fok
D426,296 S	6/2000	Blateri

1 Claim, 8 Drawing Sheets



US D635,236 S

Page 2

U.S. PATENT DOCUMENTS

D464,723 S	10/2002	Fok	D495,817 S	9/2004	Bucher et al.	
D469,950 S	2/2003	Scalise et al.	D496,119 S	9/2004	Bucher et al.	
D479,874 S	9/2003	Shapiro	D497,022 S	10/2004	Bucher et al.	
D480,466 S	10/2003	Bucher et al.	D500,160 S	12/2004	Bucher et al.	
D480,471 S	10/2003	Hsieh	D500,161 S	12/2004	Bucher et al.	
D482,778 S	11/2003	Shapiro	D500,876 S	1/2005	Bucher et al.	
D483,466 S	12/2003	Shapiro	7,008,013 B2	3/2006	Okamoto	
D484,234 S	12/2003	Wilson, Jr.	D523,137 S	6/2006	Wang	
D486,216 S	2/2004	Wilson, Jr.	D553,731 S *	10/2007	Bucher et al.	D23/411
D486,217 S	2/2004	Shapiro	7,306,298 B2	12/2007	Doerfler et al.	
D486,218 S	2/2004	Shapiro	D586,902 S *	2/2009	Orozco	D23/411
D486,222 S	2/2004	Shapiro	2005/0104422 A1	5/2005	Okamoto	
D488,551 S	4/2004	Shapiro				

* cited by examiner

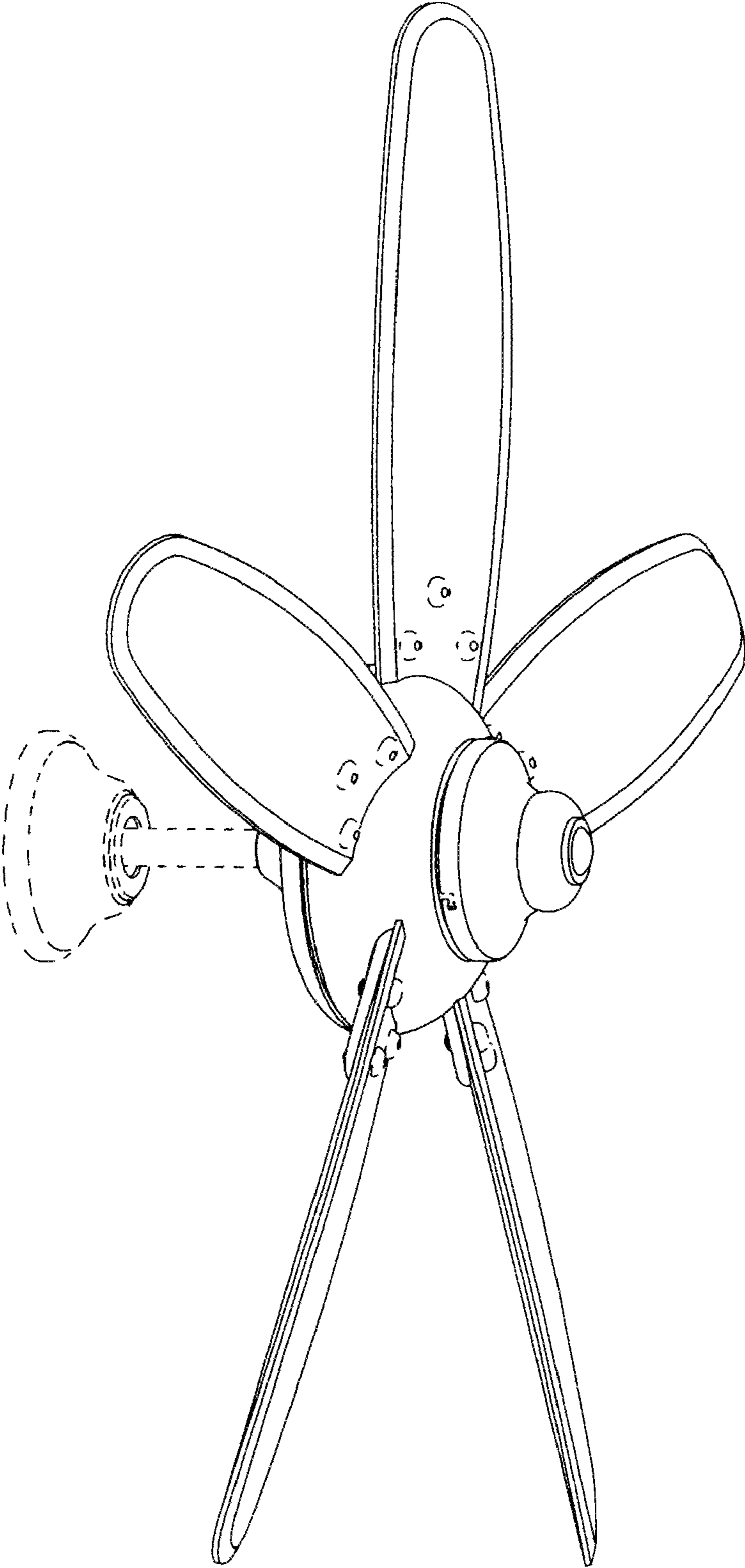


FIG. 1

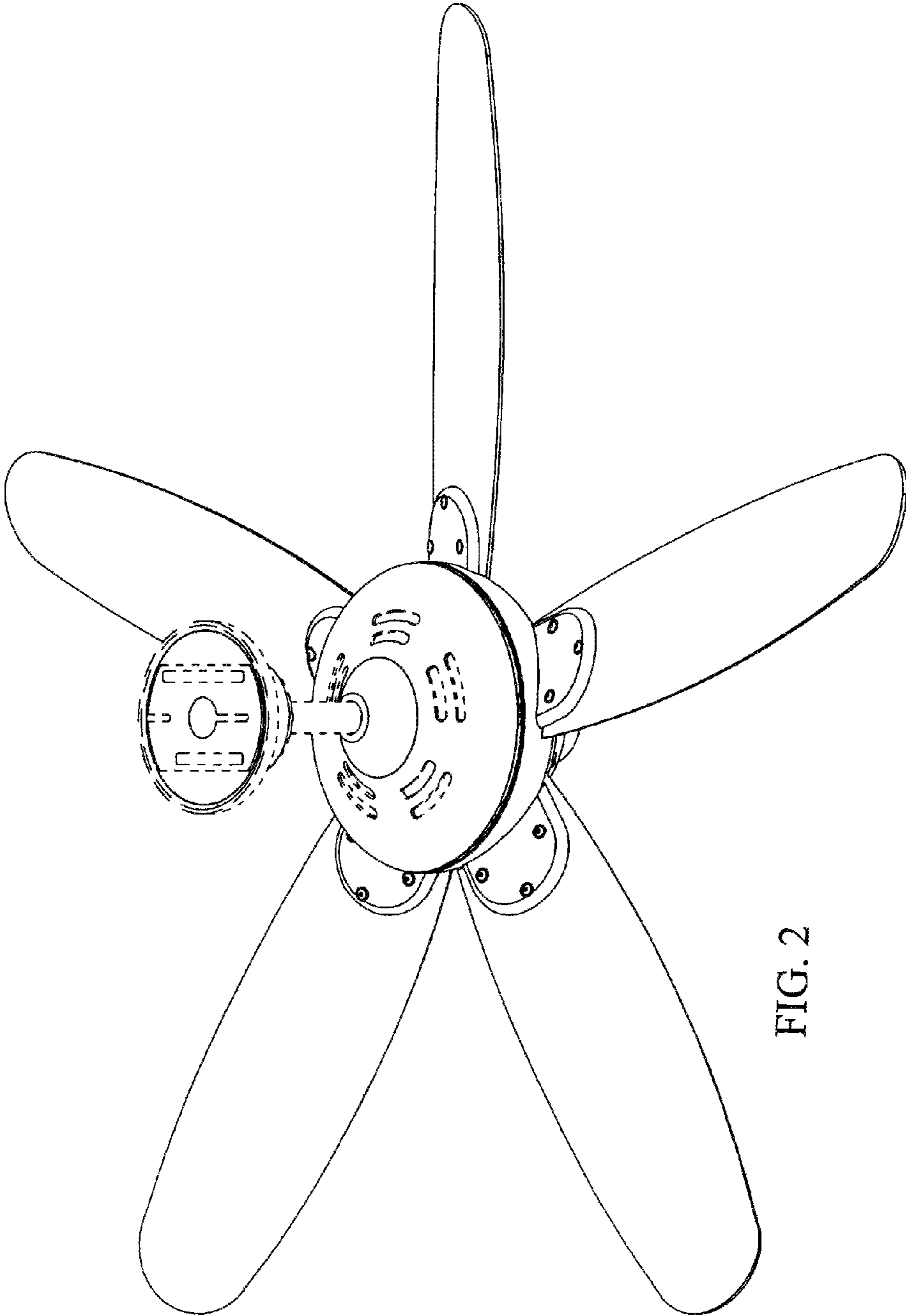


FIG. 2

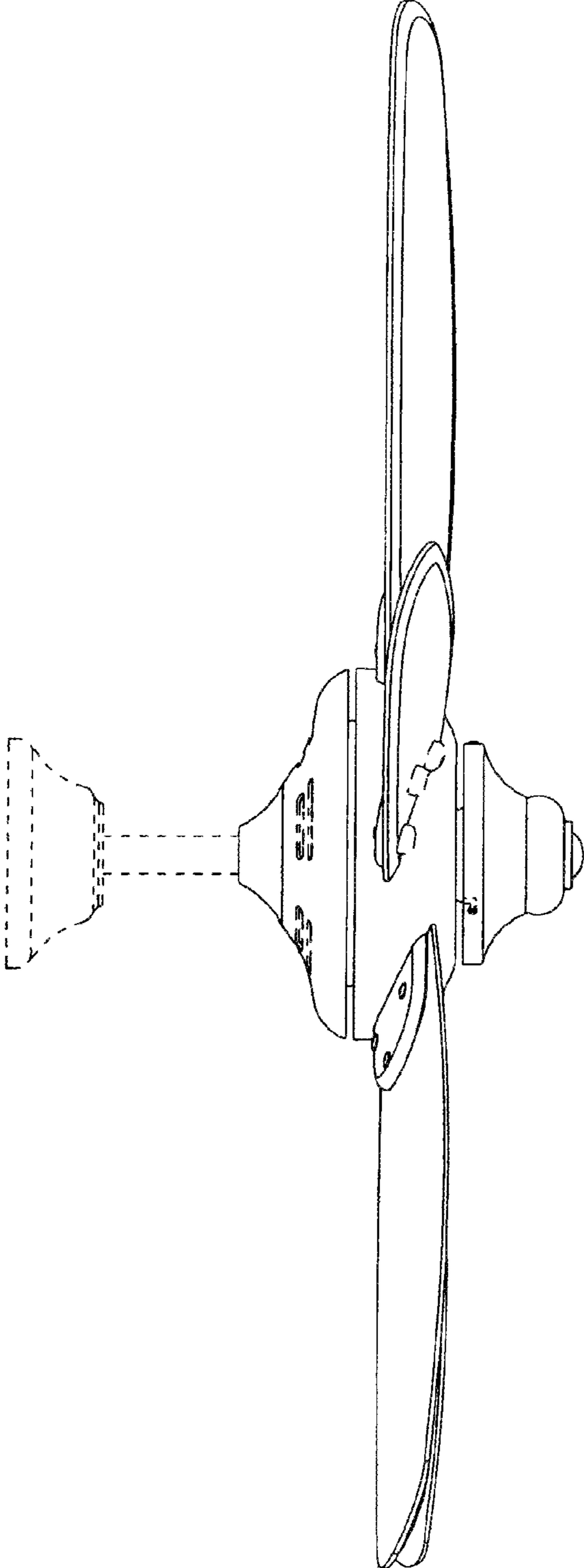


FIG. 3

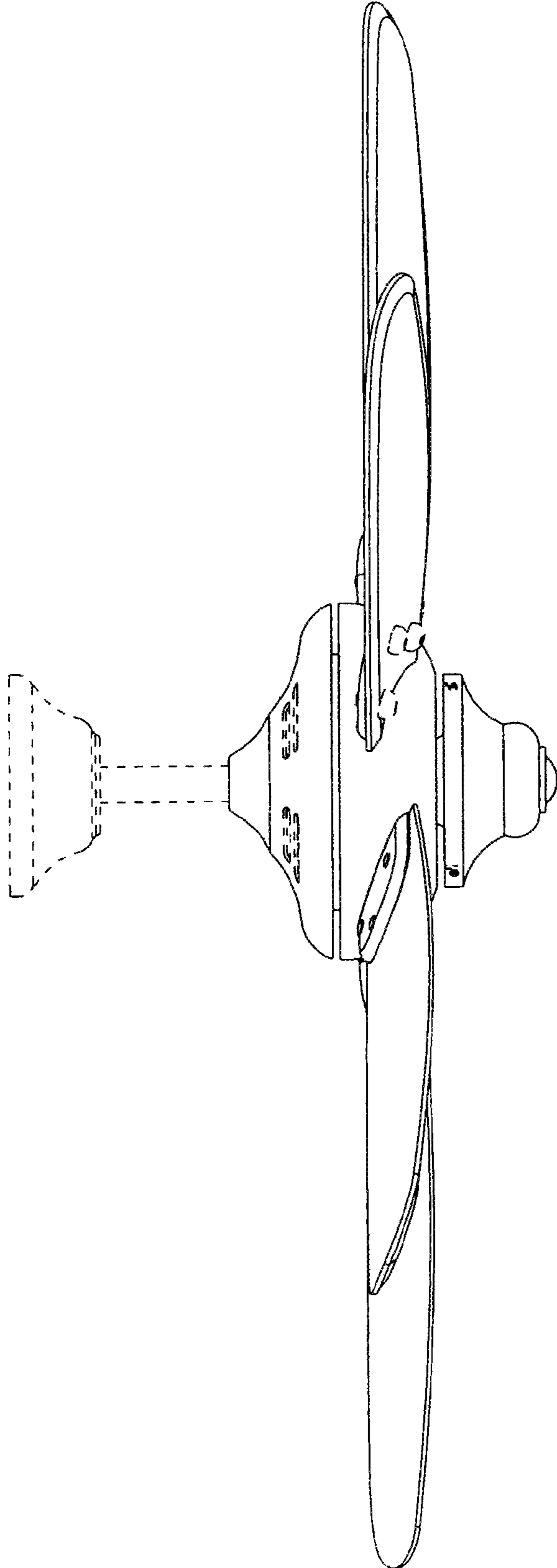


FIG. 4

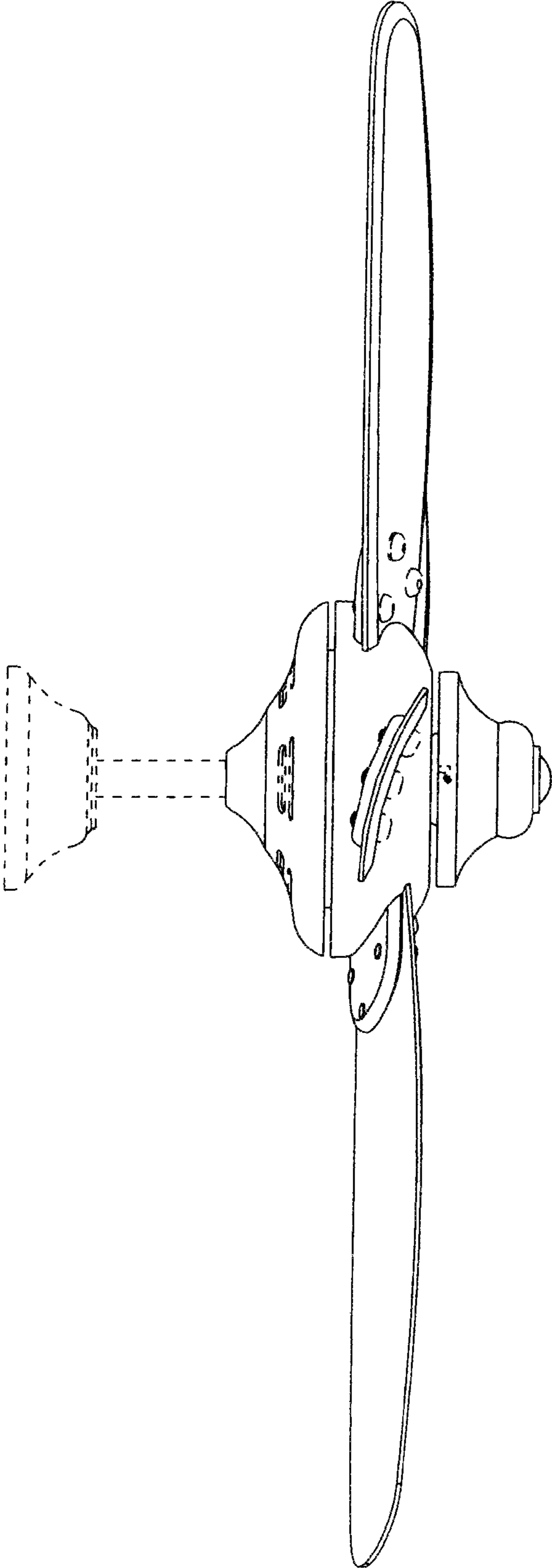


FIG. 5

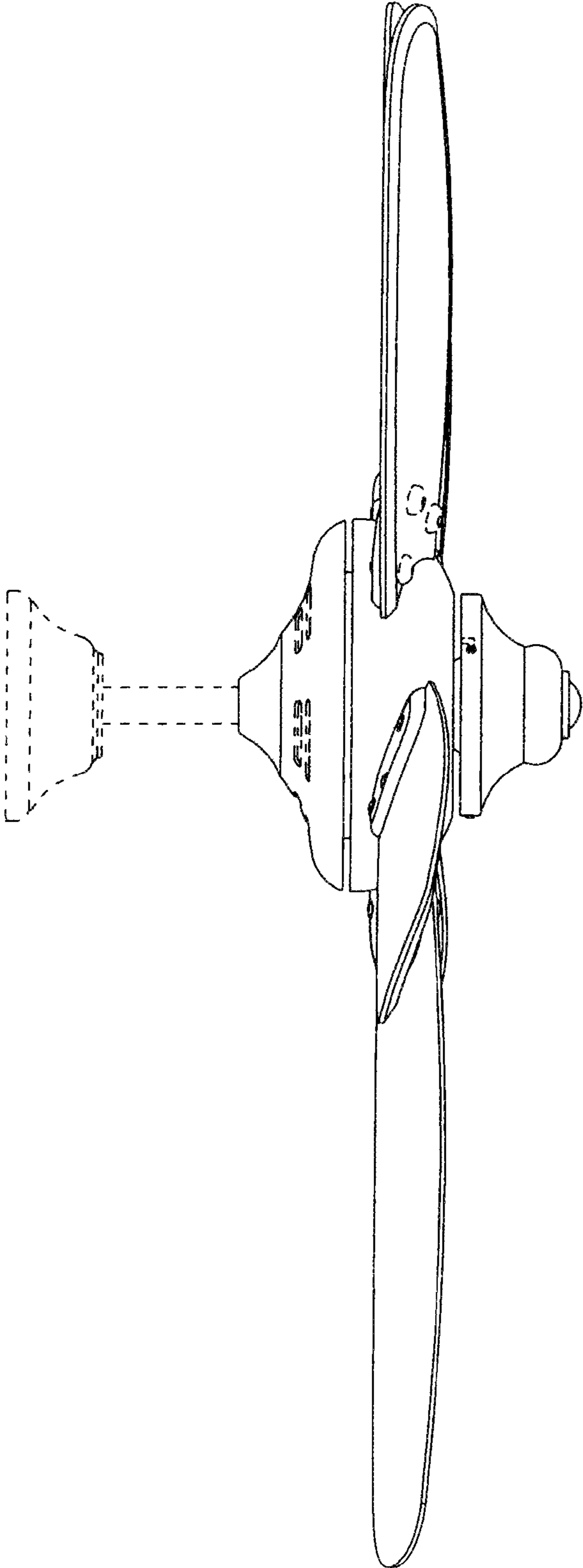


FIG. 6

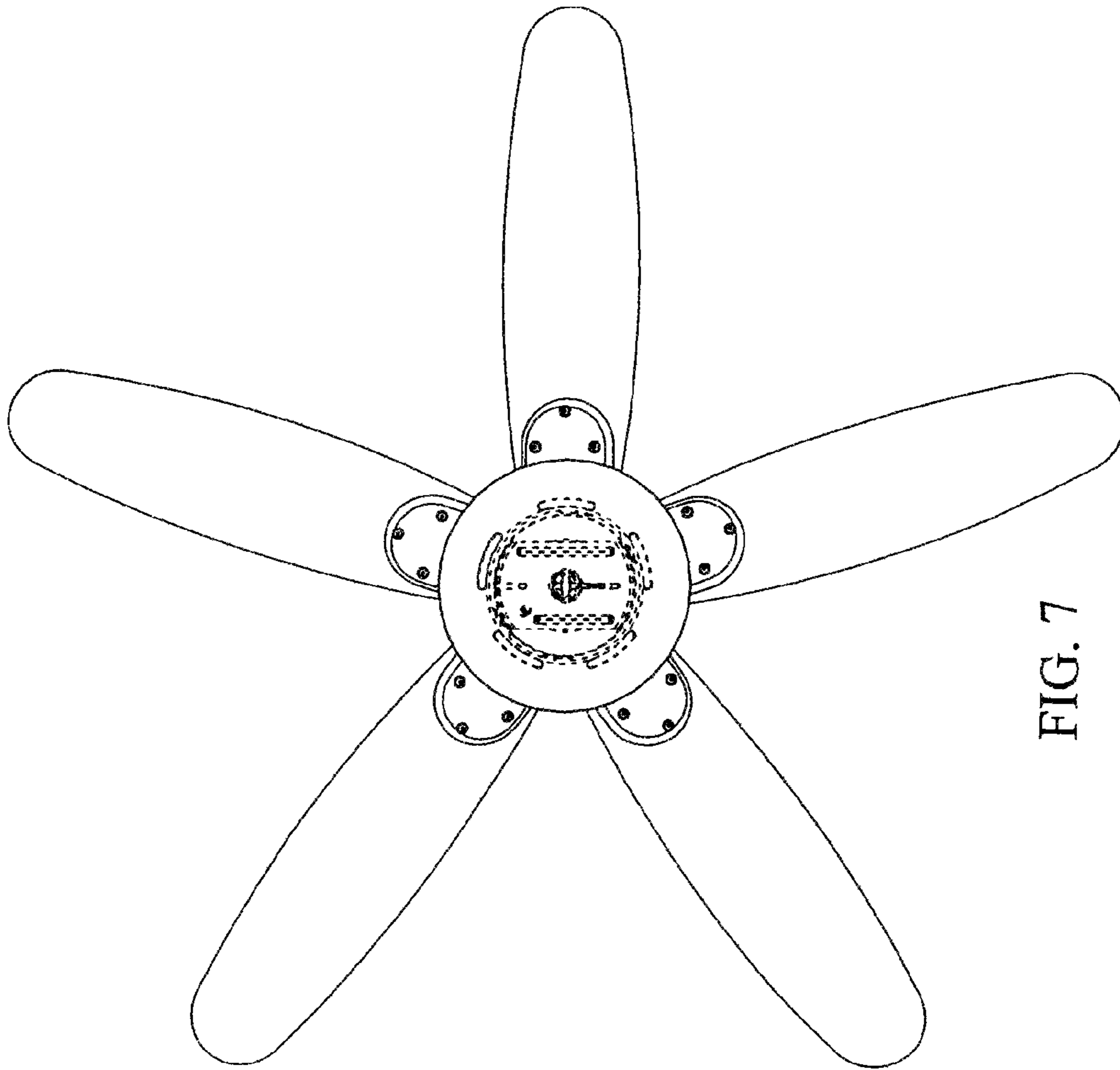


FIG. 7

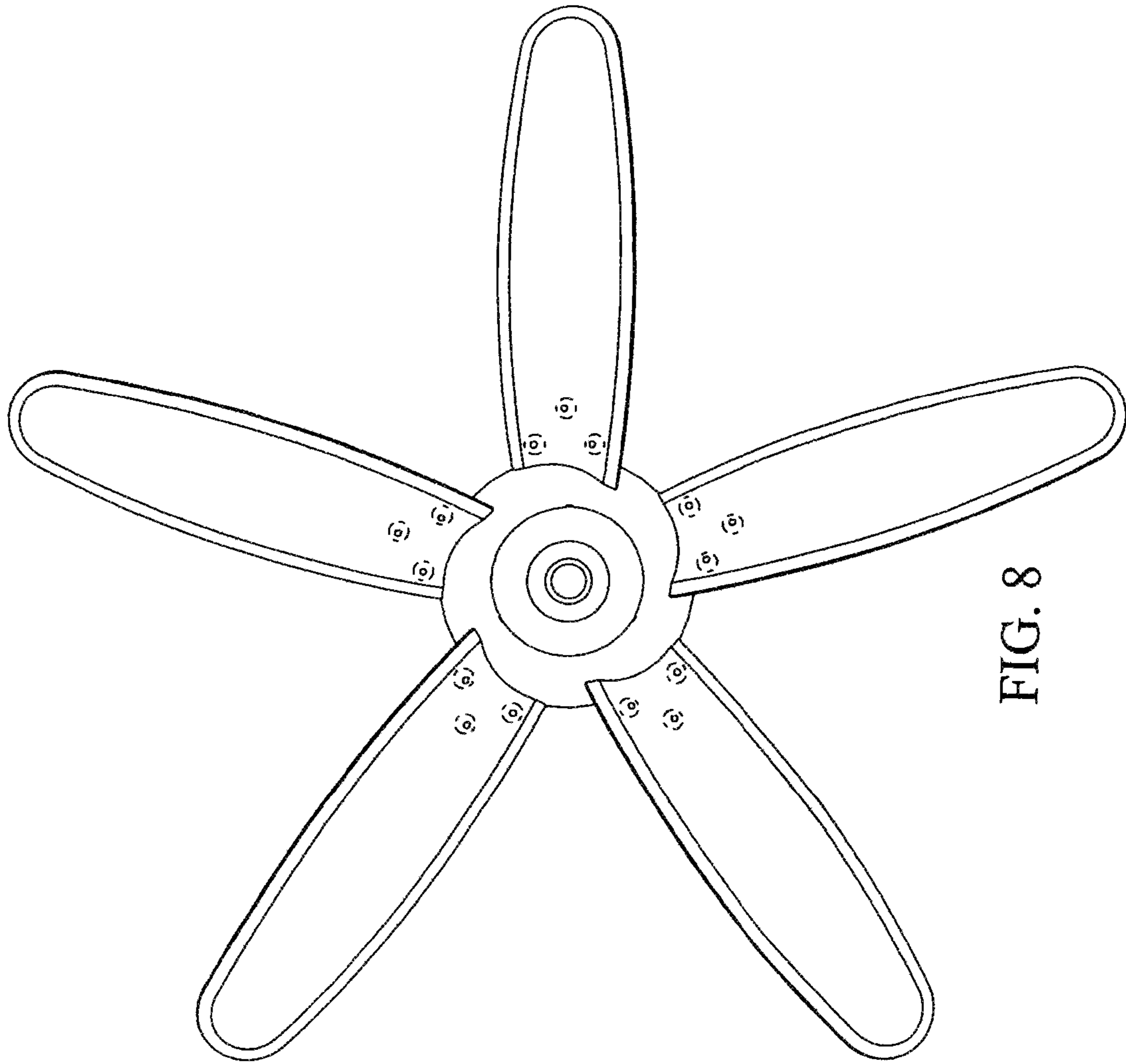


FIG. 8