



US00D635235S

(12) **United States Design Patent**
Hoshino et al.

(10) **Patent No.:** **US D635,235 S**

(45) **Date of Patent:** **** Mar. 29, 2011**

(54) **KITCHEN HOOD**

(75) Inventors: **Kiyoshi Hoshino**, Pewaukee, WI (US);
Brent Elliot Coffey, Pewaukee, WI (US)

(73) Assignee: **Venmar Ventilation Inc.**,
Drummondville, Quebec (CA)

(**) Term: **14 Years**

(21) Appl. No.: **29/305,460**

(22) Filed: **Mar. 20, 2008**

(51) **LOC (9) Cl.** **23-04**

(52) **U.S. Cl.** **D23/372**

(58) **Field of Classification Search** D23/372,
D23/371; 126/299 R, 299 D

See application file for complete search history.

(56) **References Cited**

U.S. PATENT DOCUMENTS

D566,822 S * 4/2008 Blanchette et al. D23/372
D571,446 S * 6/2008 Martin et al. D23/372

* cited by examiner

Primary Examiner — Lisa P Lichtenstein

(74) *Attorney, Agent, or Firm* — Fay Sharpe LLP

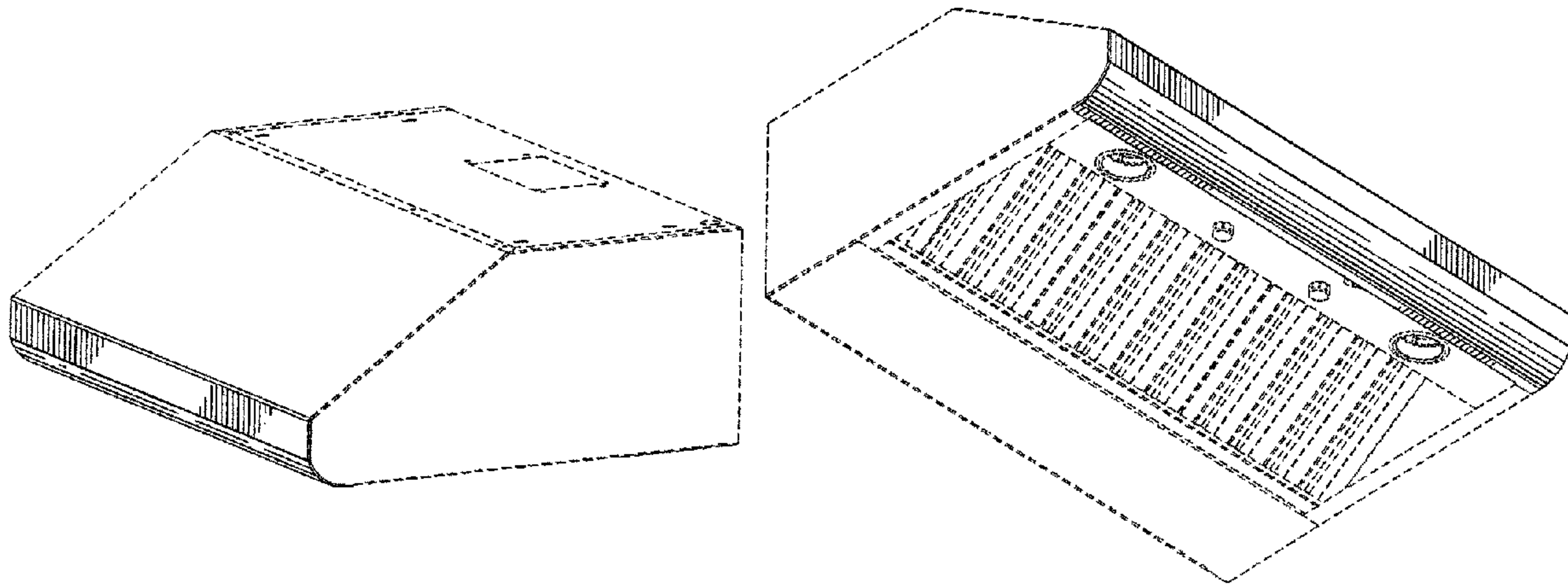
(57) **CLAIM**

The ornamental design for a kitchen hood, as shown and described.

DESCRIPTION

FIG. 1 is a top front perspective view of the kitchen hood;
FIG. 2 is a bottom front perspective view of the kitchen hood
of FIG. 1;
FIG. 3 is a right side view of the kitchen hood of FIG. 1;
FIG. 4 is a left side view of the kitchen hood of FIG. 1;
FIG. 5 is a top view of the kitchen hood of FIG. 1;
FIG. 6 is a front view of the kitchen hood of FIG. 1; and,
FIG. 7 is a bottom view of the kitchen hood of FIG. 1.
The broken line showing of portions of a kitchen hood is
included for the purpose of illustrating environmental struc-
ture and forms no part of the claimed design.

1 Claim, 4 Drawing Sheets



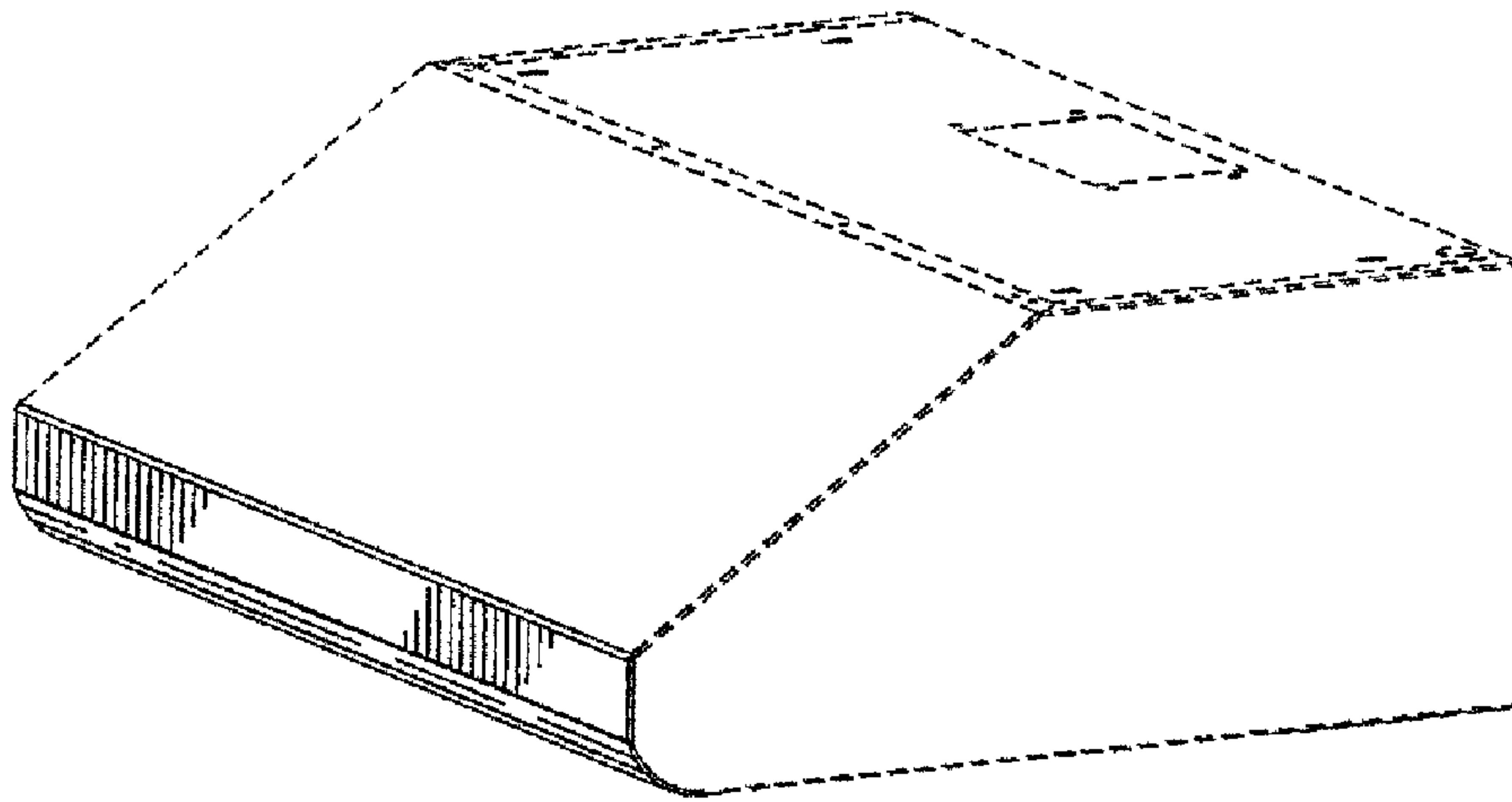


FIG. 1

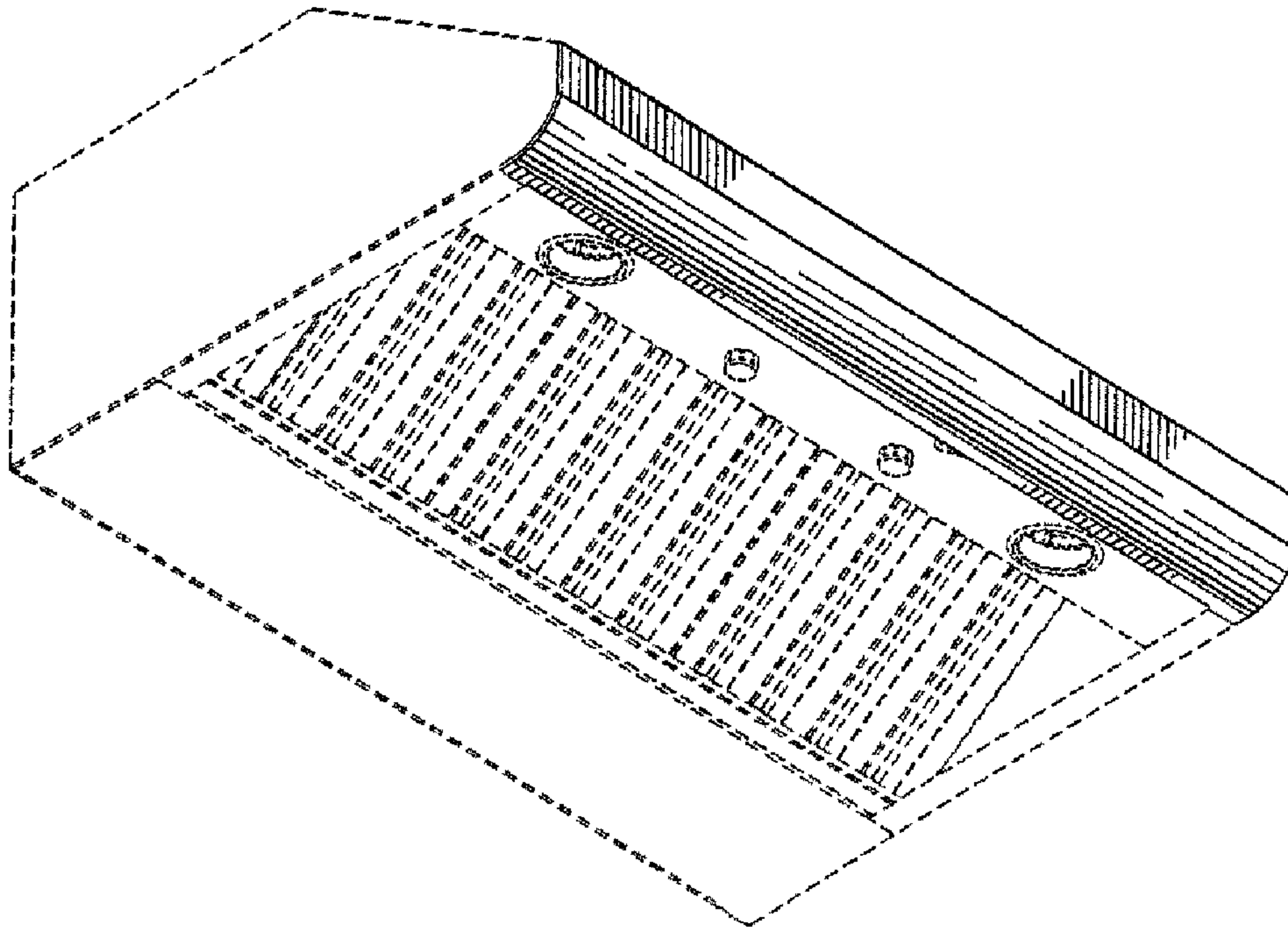


FIG. 2

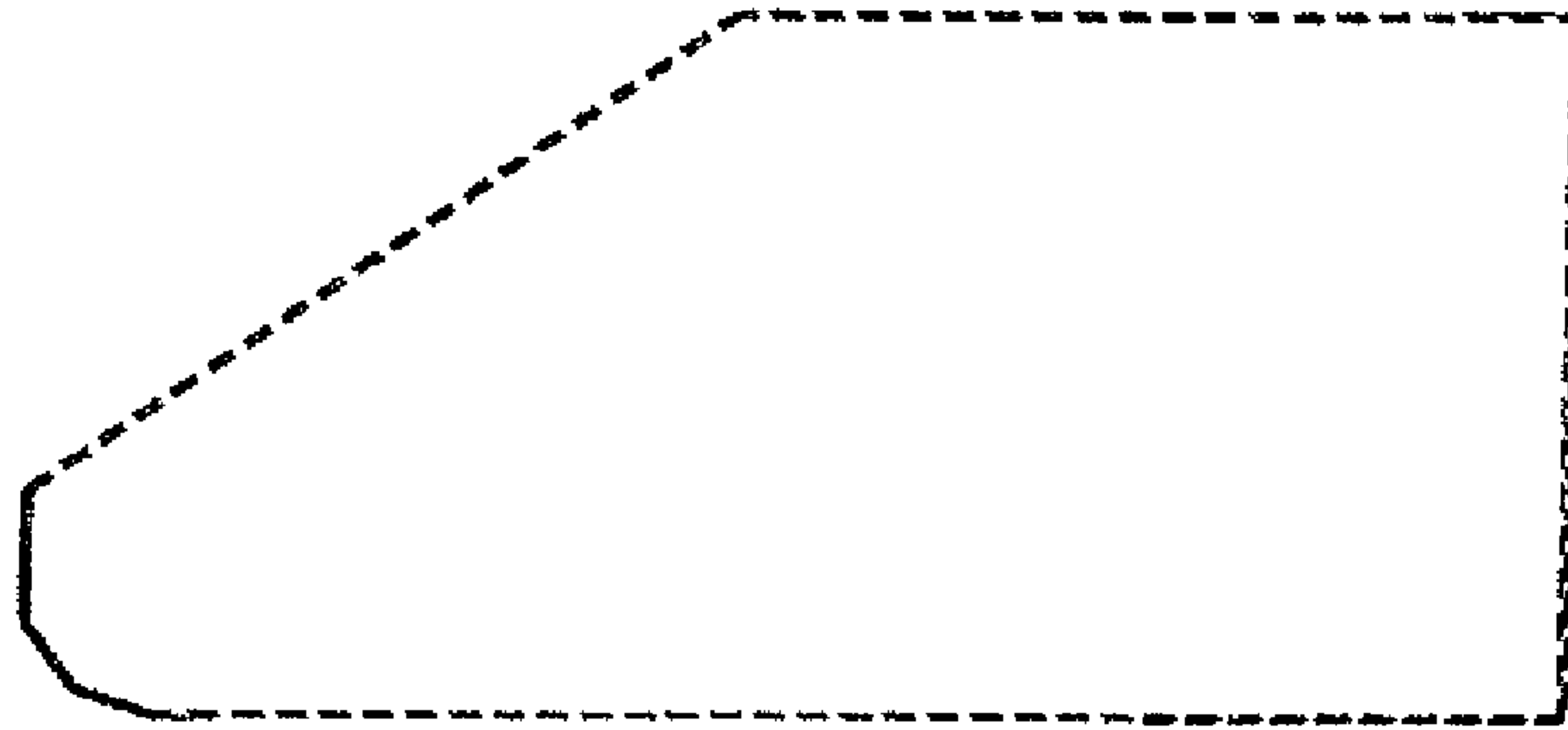


FIG. 3

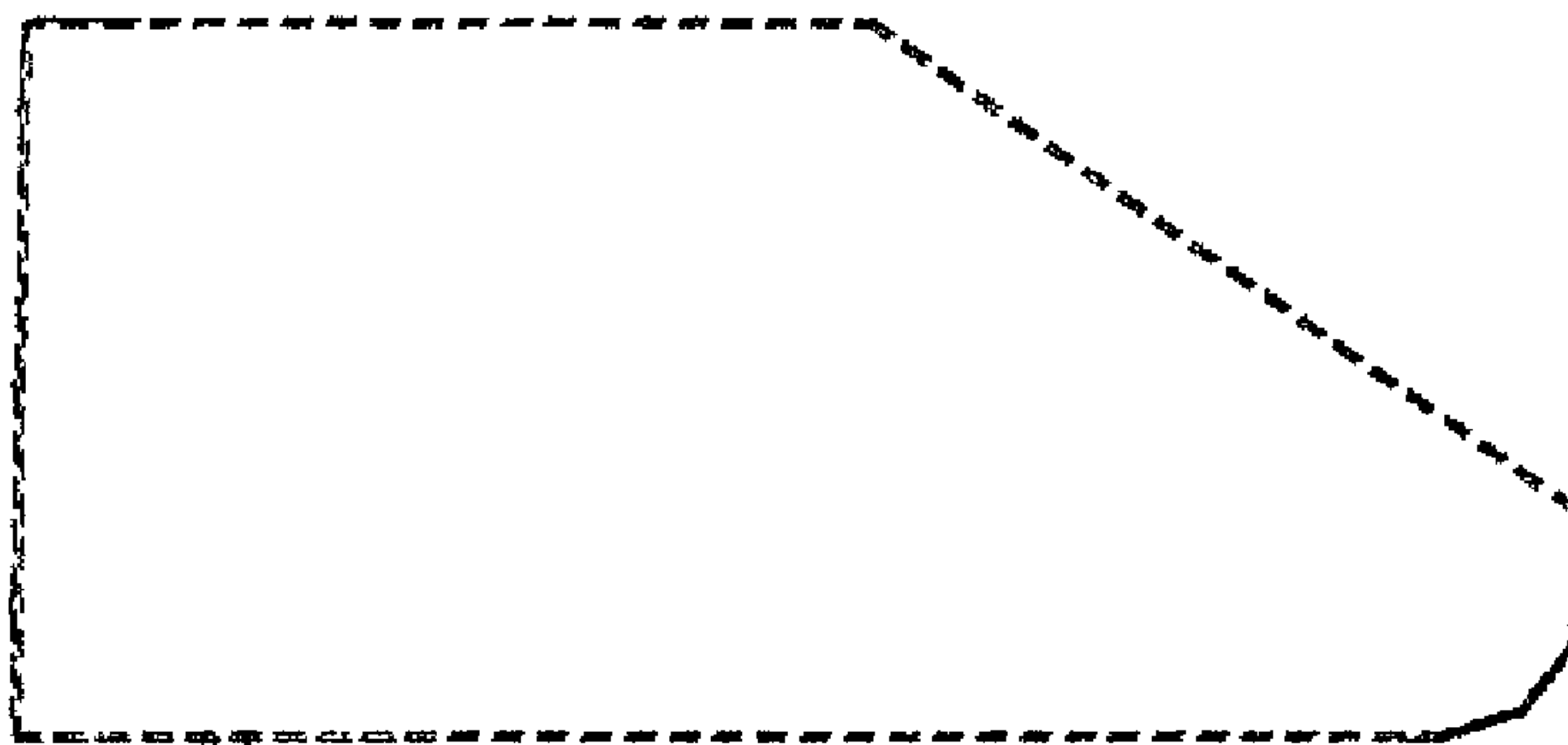


FIG. 4

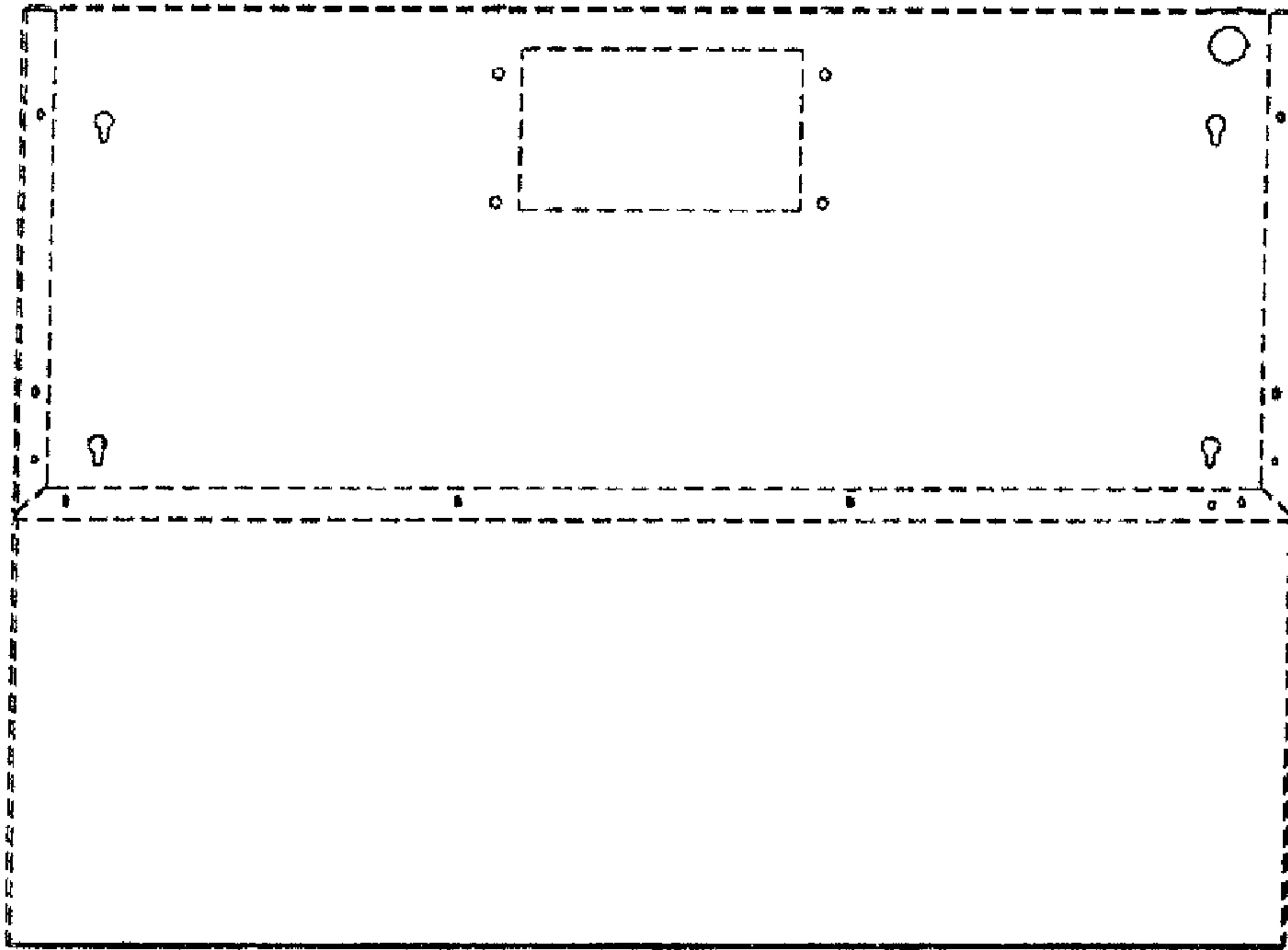


FIG. 5

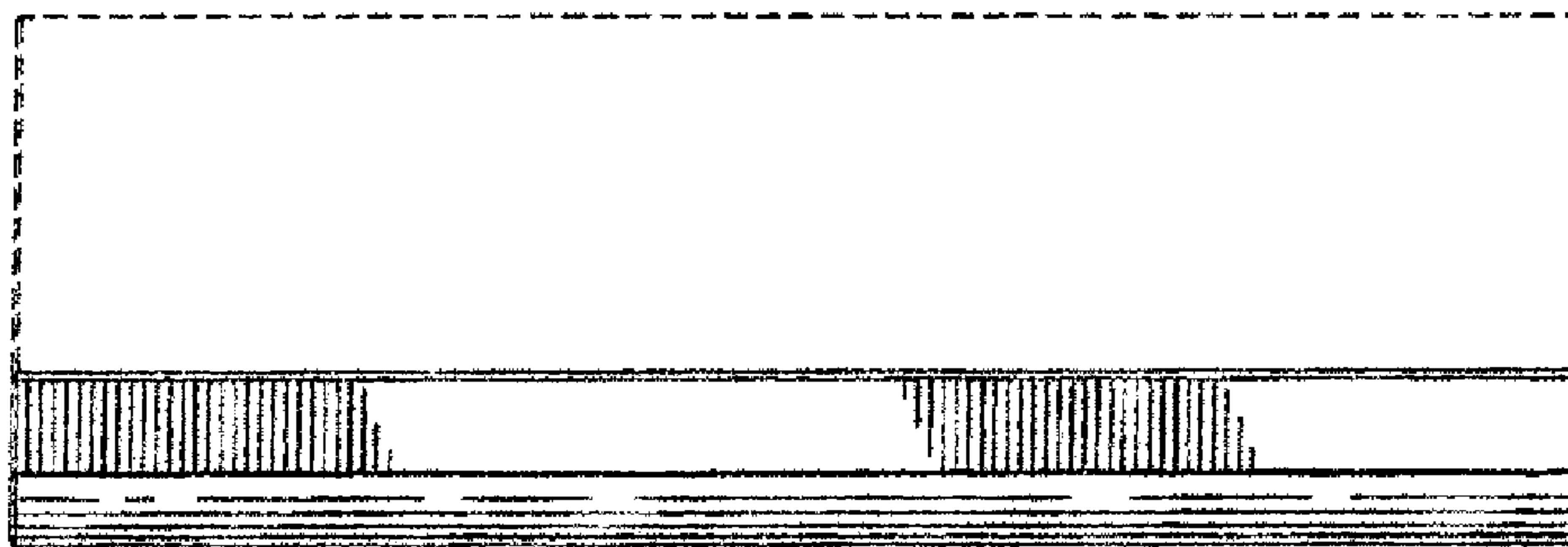


FIG. 6

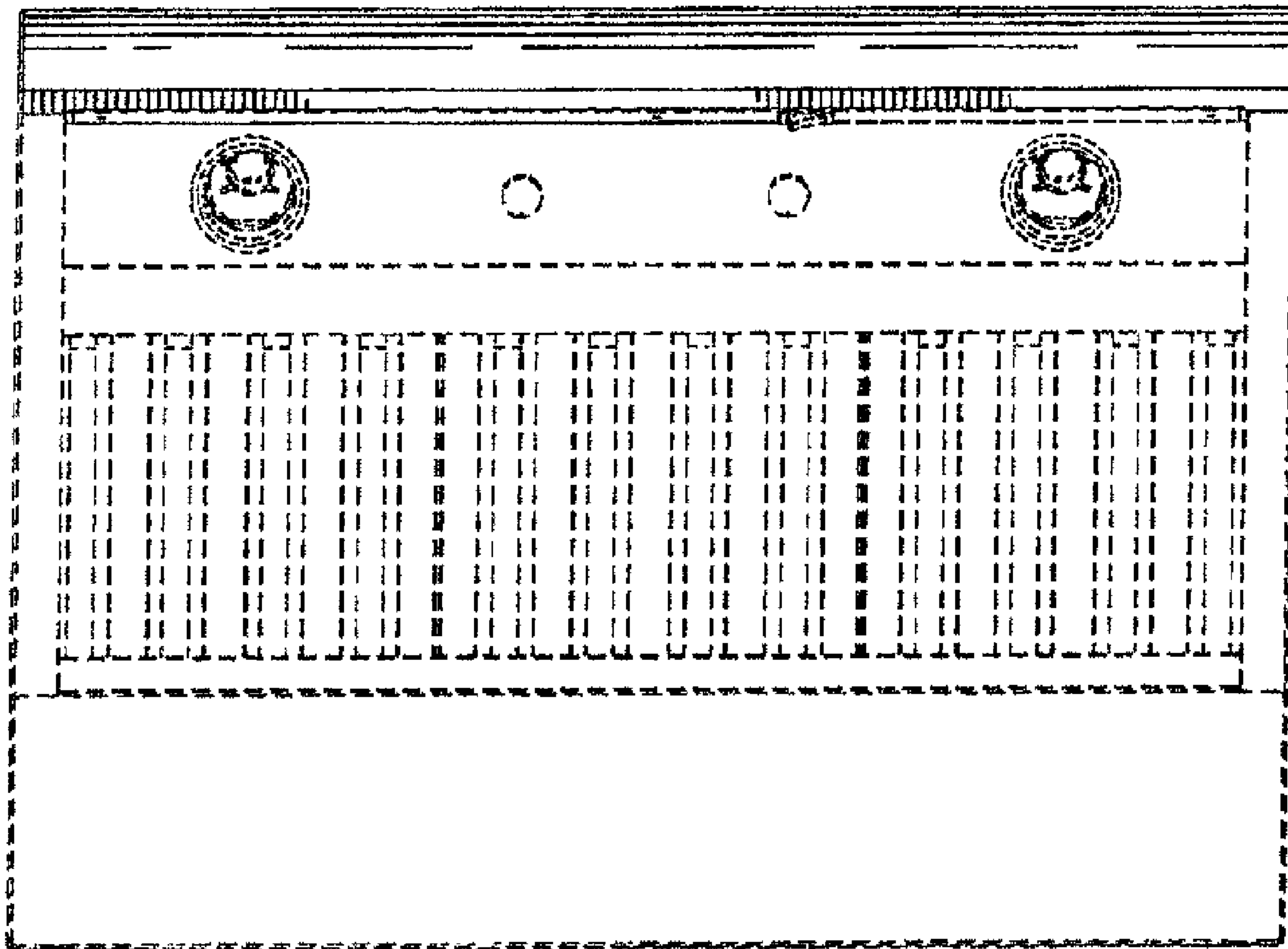


FIG. 7