



US00D635233S

(12) **United States Design Patent**
Nelson et al.

(10) **Patent No.:** **US D635,233 S**
(45) **Date of Patent:** **** Mar. 29, 2011**

(54) **FILTER CARTRIDGE**

(75) Inventors: **Benny Kevin Nelson**, Bloomington, MN (US); **John Kuhn**, Richfield, MN (US); **Donald Larson**, Brooklyn Park, MN (US); **David Nelson**, Savage, MN (US)

(73) Assignee: **Donaldson Company, Inc.**, Minneapolis, MN (US)

(**) Term: **14 Years**

(21) Appl. No.: **29/308,207**

(22) Filed: **Jun. 2, 2008**

(51) **LOC (9) Cl.** **23-04**

(52) **U.S. Cl.** **D23/365**

(58) **Field of Classification Search** D23/365,
D23/209, 363, 358, 386, 354, 341, 364; 55/385.3,
55/502, 497, 506, 505, 521, 495, 422, 493,
55/DIG. 30; 210/497.1; D32/31; D15/5
See application file for complete search history.

(56) **References Cited**

U.S. PATENT DOCUMENTS

D326,706 S *	6/1992	Karlsson	D23/209
5,124,127 A *	6/1992	Jones et al.	210/497.1
D348,305 S *	6/1994	Bannigan	D23/209
D366,516 S *	1/1996	Stewart	D23/209
D380,535 S *	7/1997	Joergensen	D23/365
D380,537 S *	7/1997	Ellwood	D23/365
D440,294 S *	4/2001	Bilek	D23/365
D455,826 S *	4/2002	Gillingham et al.	D23/365
D457,596 S *	5/2002	Guzman et al.	D23/209
D482,101 S *	11/2003	Rampen et al.	D23/209
D533,916 S *	12/2006	Liao	D23/209
D542,374 S *	5/2007	Green et al.	D23/209
D548,306 S *	8/2007	Kennedy et al.	D23/209
2007/0235384 A1	10/2007	Oku et al.		
2009/0223187 A1	9/2009	Nelson et al.		

FOREIGN PATENT DOCUMENTS

WO WO 2007/044677 A1 4/2007

OTHER PUBLICATIONS

Search Report and Written Opinion corresponding to PCT/US2008/083416.

Exhibit A, Pending Claims corresponding to U.S. Appl. No. 12/291,893.

Exhibit B, Disclosure and drawings corresponding to U.S. Appl. No. 61/003,215, filed Nov. 15, 2007.

Exhibit C, Disclosure and drawings corresponding to U.S. Appl. No. 61/130,790, filed Jun. 2, 2008.

* cited by examiner

Primary Examiner — David G Muller

(74) *Attorney, Agent, or Firm* — Merchant & Gould P.C.

(57) **CLAIM**

The ornamental design for filter cartridge, as shown and described.

DESCRIPTION

FIG. 1 is a perspective view according to the present design; in FIG. 1 the perspective view being shown generally toward the inlet end and the closed end.

FIG. 2 is an end elevational view of the filter cartridge of FIG. 1.

FIG. 3 is a second end elevational view, opposite the view of FIG. 2.

FIG. 4 is a first side elevational view of the cartridge of FIG. 1, the view of FIG. 4 generally being toward the side viewable in FIG. 1.

FIG. 5 is second side elevational view taken generally opposite side to the viewable in FIG. 4.

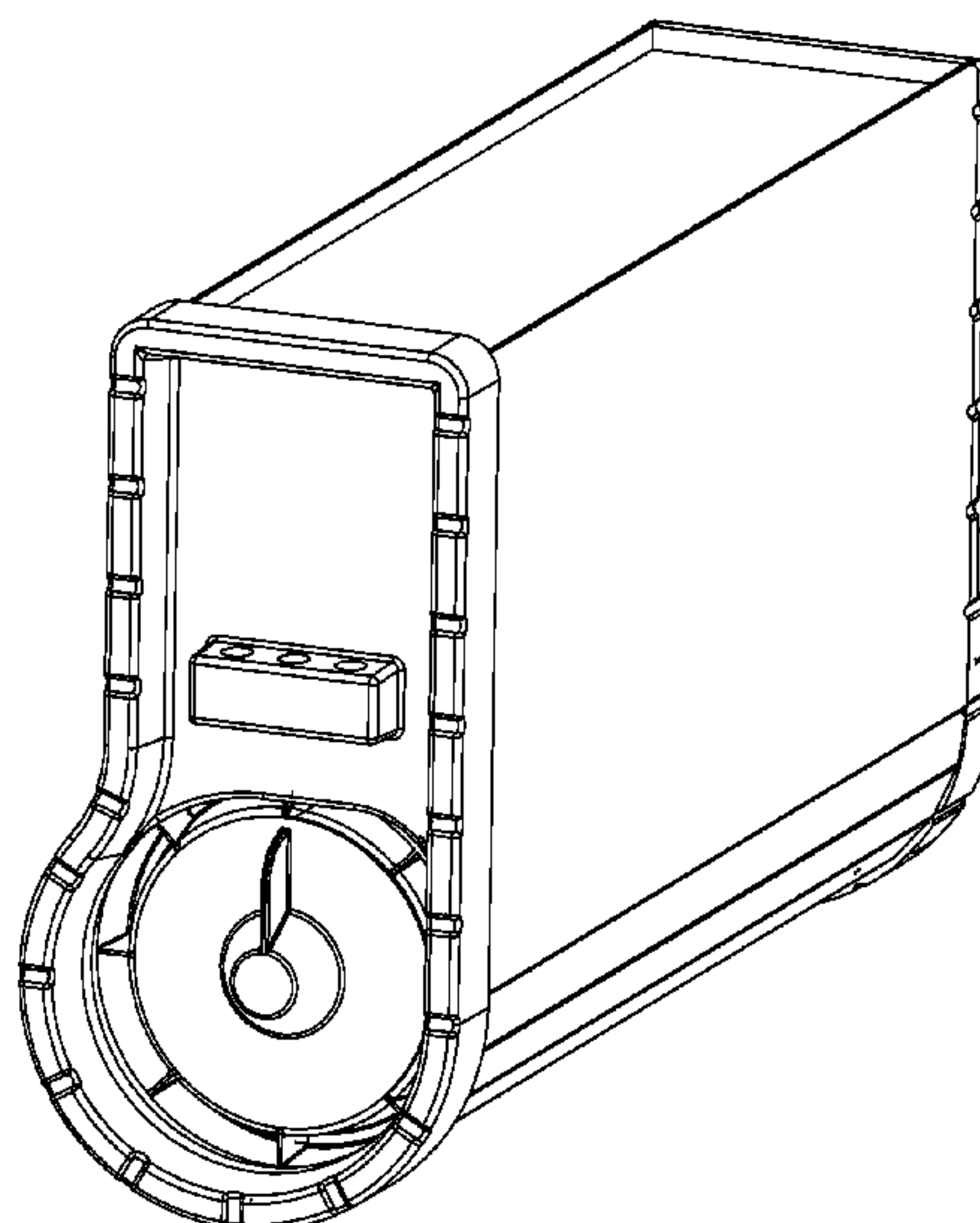
FIG. 6 is a top inlet end plan view of the cartridge of FIG. 1

FIG. 7 is a bottom end view of the cartridge of FIG. 1; taken generally opposite the view of FIG. 6; and,

FIG. 8 is an outlet end perspective view of the filter cartridge of FIG. 1.

The broken line showing of parts of the drawings is included for the purpose of illustrating use and environment and forms no part of the claimed design.

1 Claim, 7 Drawing Sheets



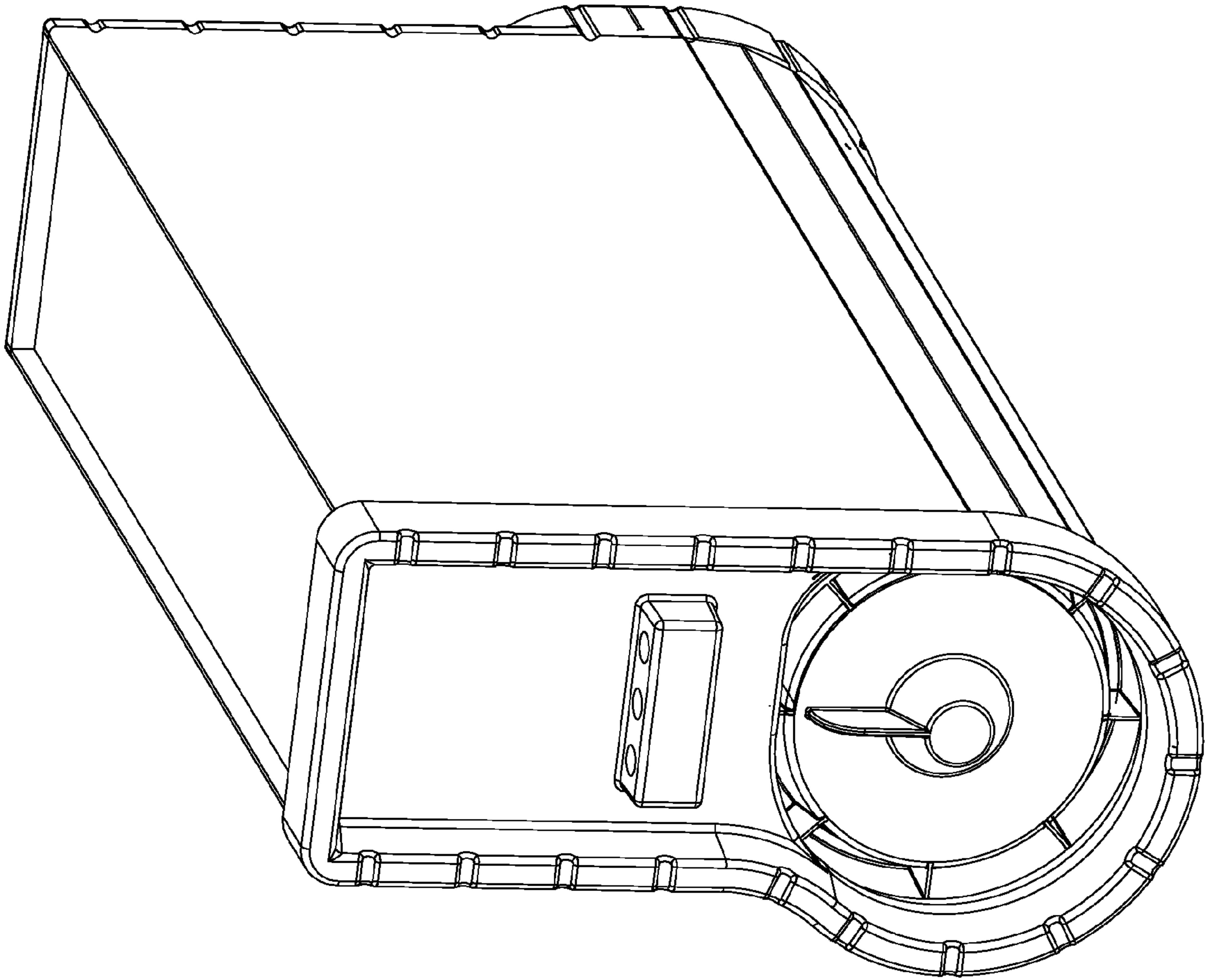


FIG. 1

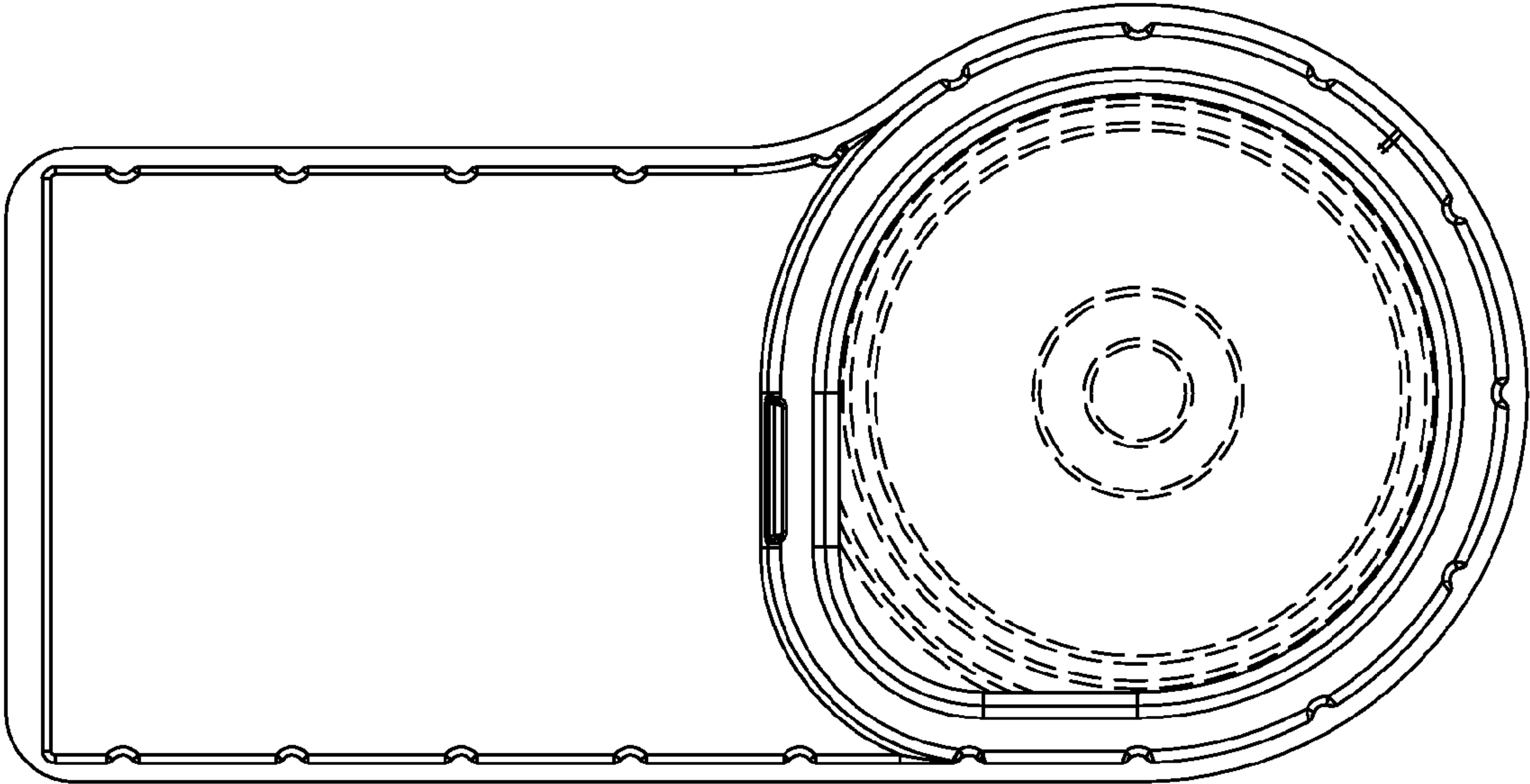


FIG. 3

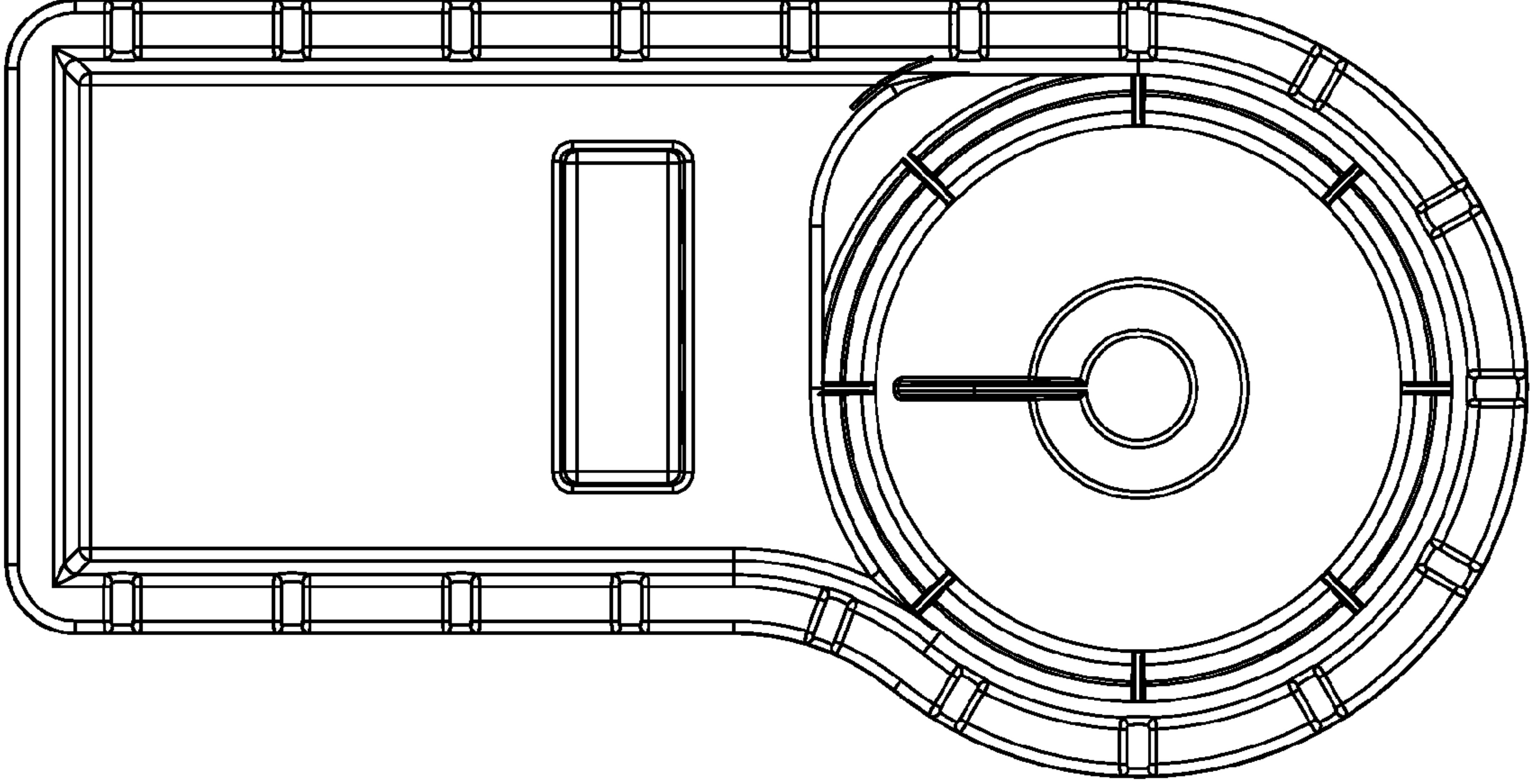
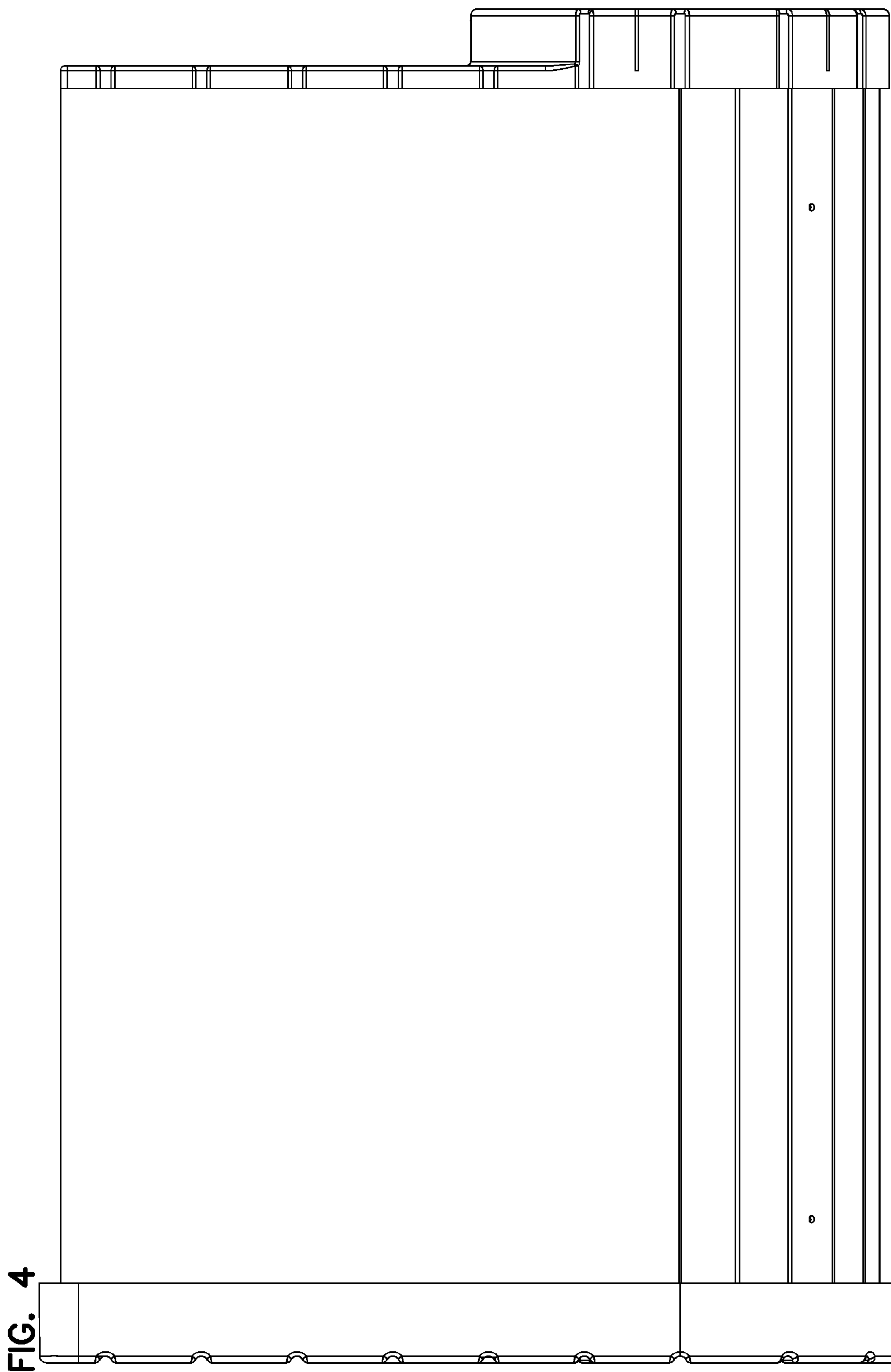


FIG. 2



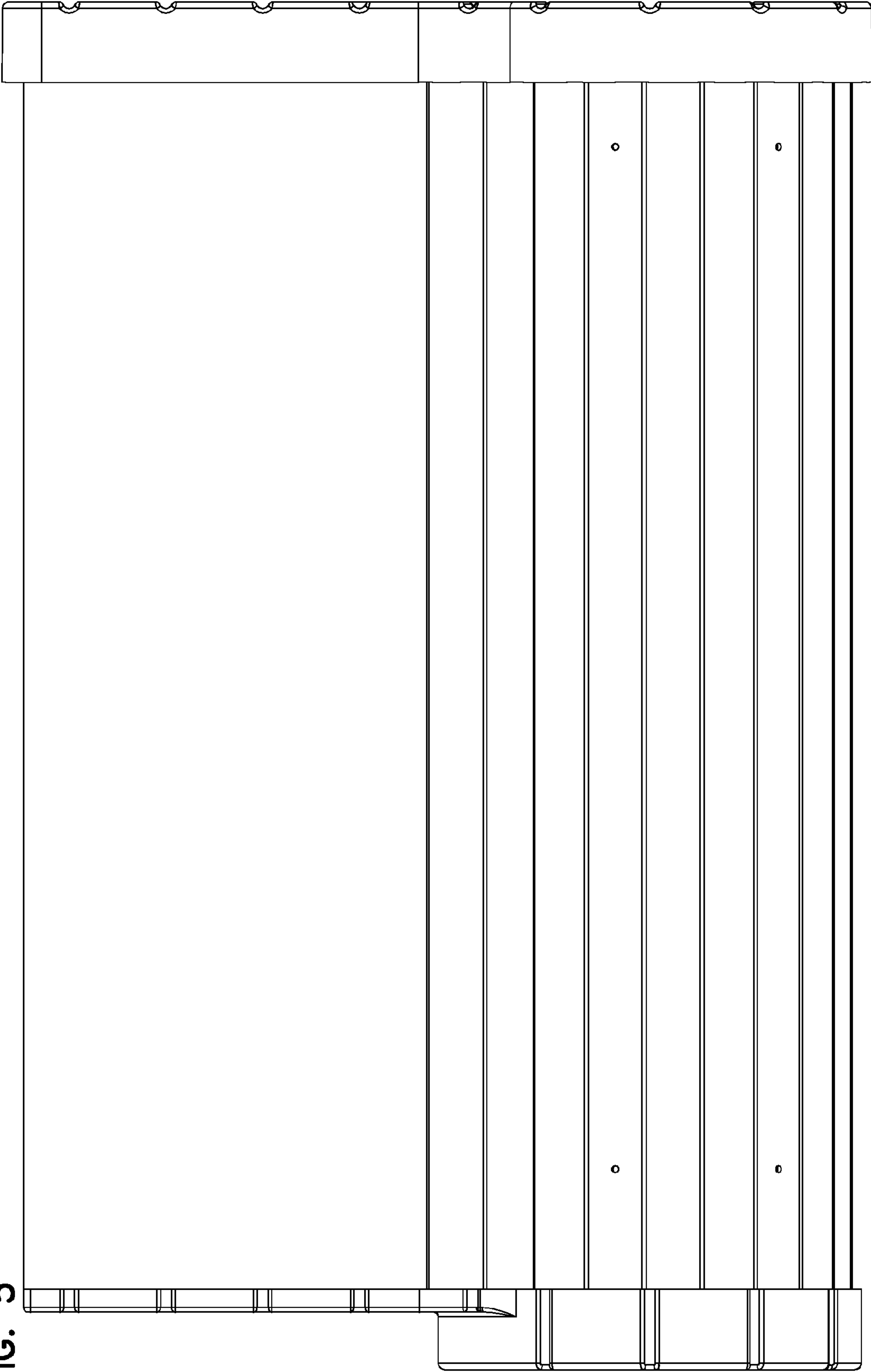
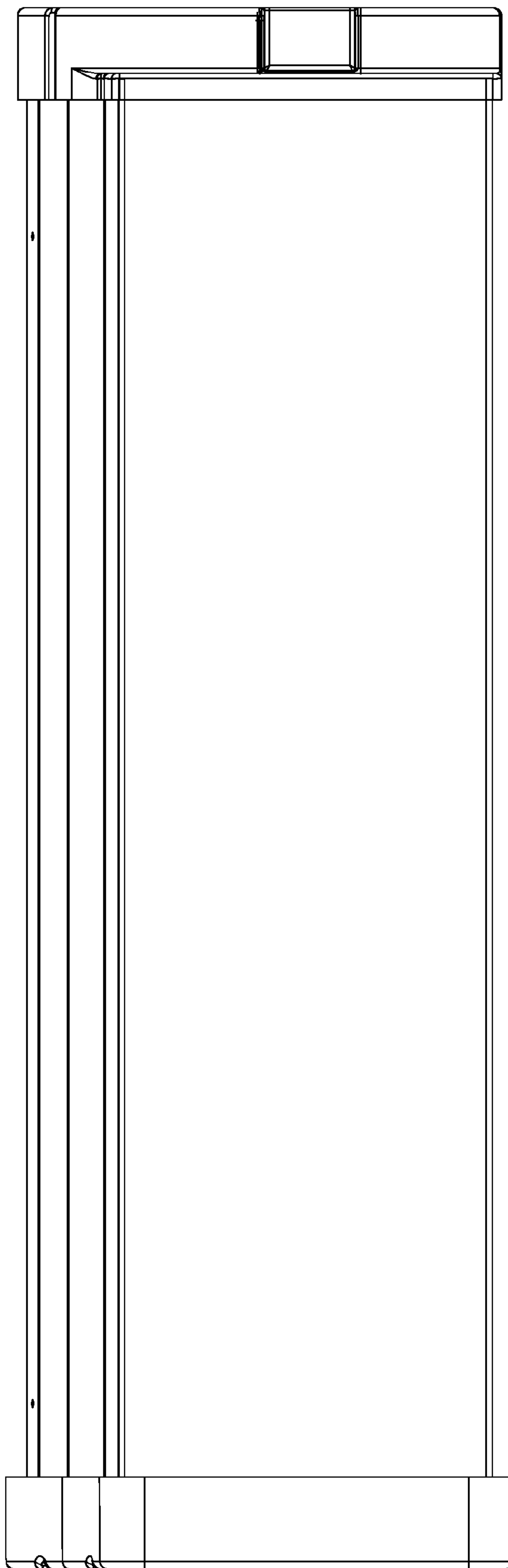


FIG. 5

FIG. 6



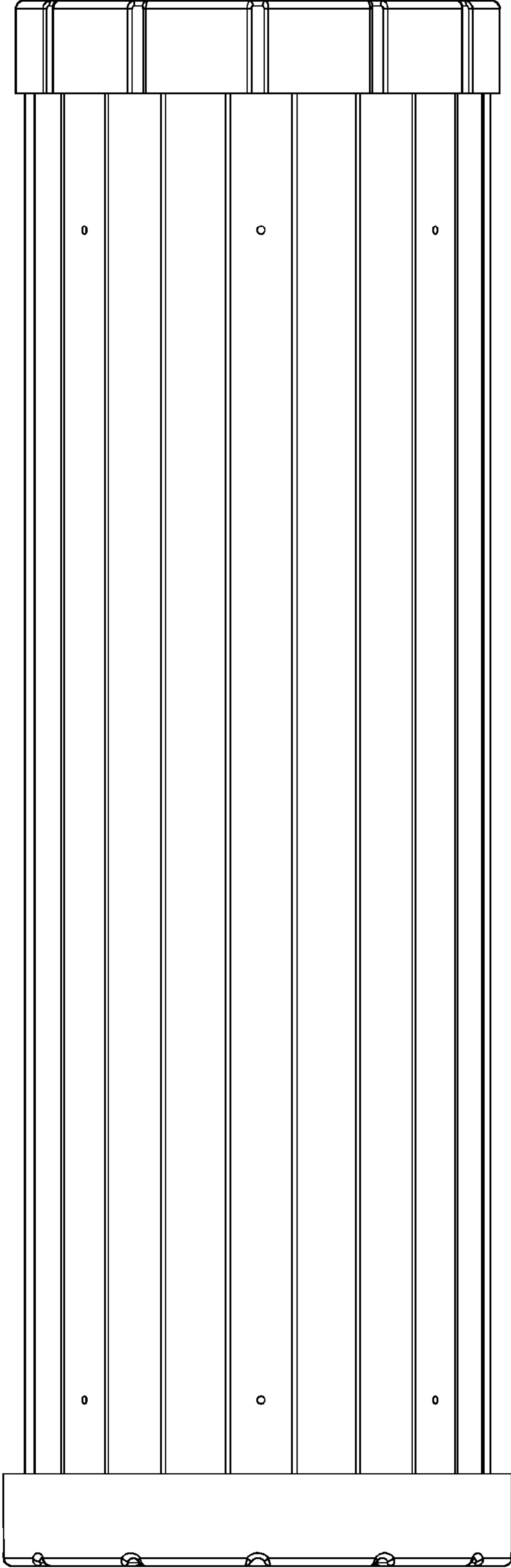


FIG. 7

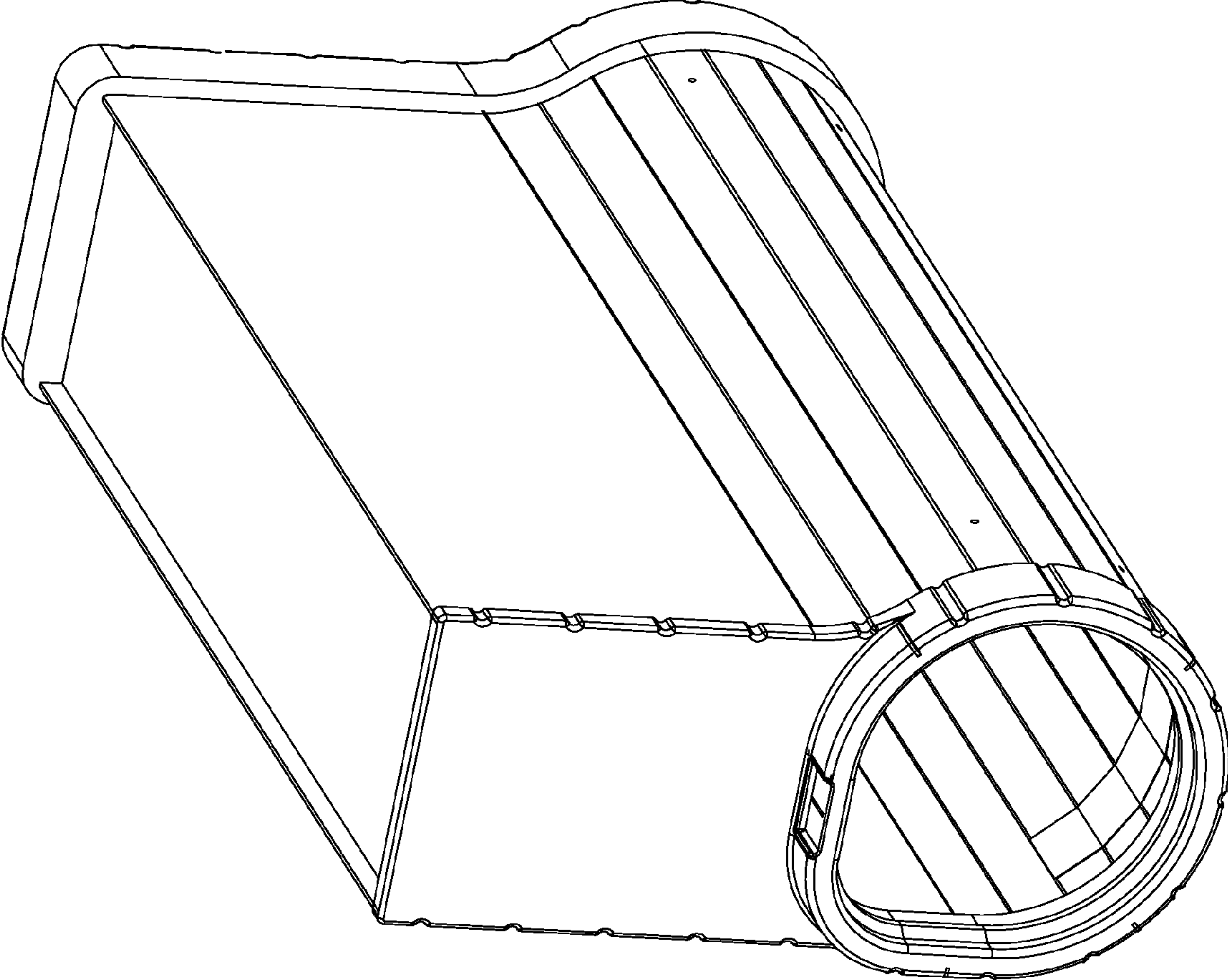


FIG. 8