



US00D635231S

(12) **United States Design Patent**  
**Primmer**

(10) **Patent No.:** **US D635,231 S**

(45) **Date of Patent:** **\*\* Mar. 29, 2011**

(54) **SINK**

(76) **Inventor:** **Jami Primmer**, Chicago, IL (US)

(\*\*) **Term:** **14 Years**

(21) **Appl. No.:** **29/366,788**

(22) **Filed:** **Jul. 29, 2010**

(51) **LOC (9) Cl.** ..... **23-02**

(52) **U.S. Cl.** ..... **D23/308**

(58) **Field of Classification Search** ..... D23/284,  
D23/287, 293.1, 308; 4/619

See application file for complete search history.

(56) **References Cited**

**U.S. PATENT DOCUMENTS**

D346,853	S	*	5/1994	Gruber	.....	D23/293.1
5,412,818	A	*	5/1995	Chen	.....	4/642
D463,538	S	*	9/2002	Chipperfield	.....	D23/284
D537,149	S	*	2/2007	Douglass et al.	.....	D23/284
D538,906	S	*	3/2007	Stein	.....	D23/293.1
D545,415	S	*	6/2007	Tani et al.	.....	D23/293.1
D560,784	S	*	1/2008	Marshall et al.	.....	D23/293.1
D622,826	S	*	8/2010	Helmer	.....	D23/293.1

\* cited by examiner

*Primary Examiner* — Robert A Delehanty

(74) *Attorney, Agent, or Firm* — Marshall, Gerstein & Borun LLP

(57) **CLAIM**

The ornamental design for a sink, as shown and described.

**DESCRIPTION**

FIG. 1 is a top, rear and left side perspective view showing my new design for a sink;

FIG. 2 is a top, rear and right side perspective view of the sink of FIG. 1;

FIG. 3 is a top, front and right side perspective view of the sink of FIG. 1;

FIG. 4 is a top, front and right side perspective view of the sink of FIG. 1;

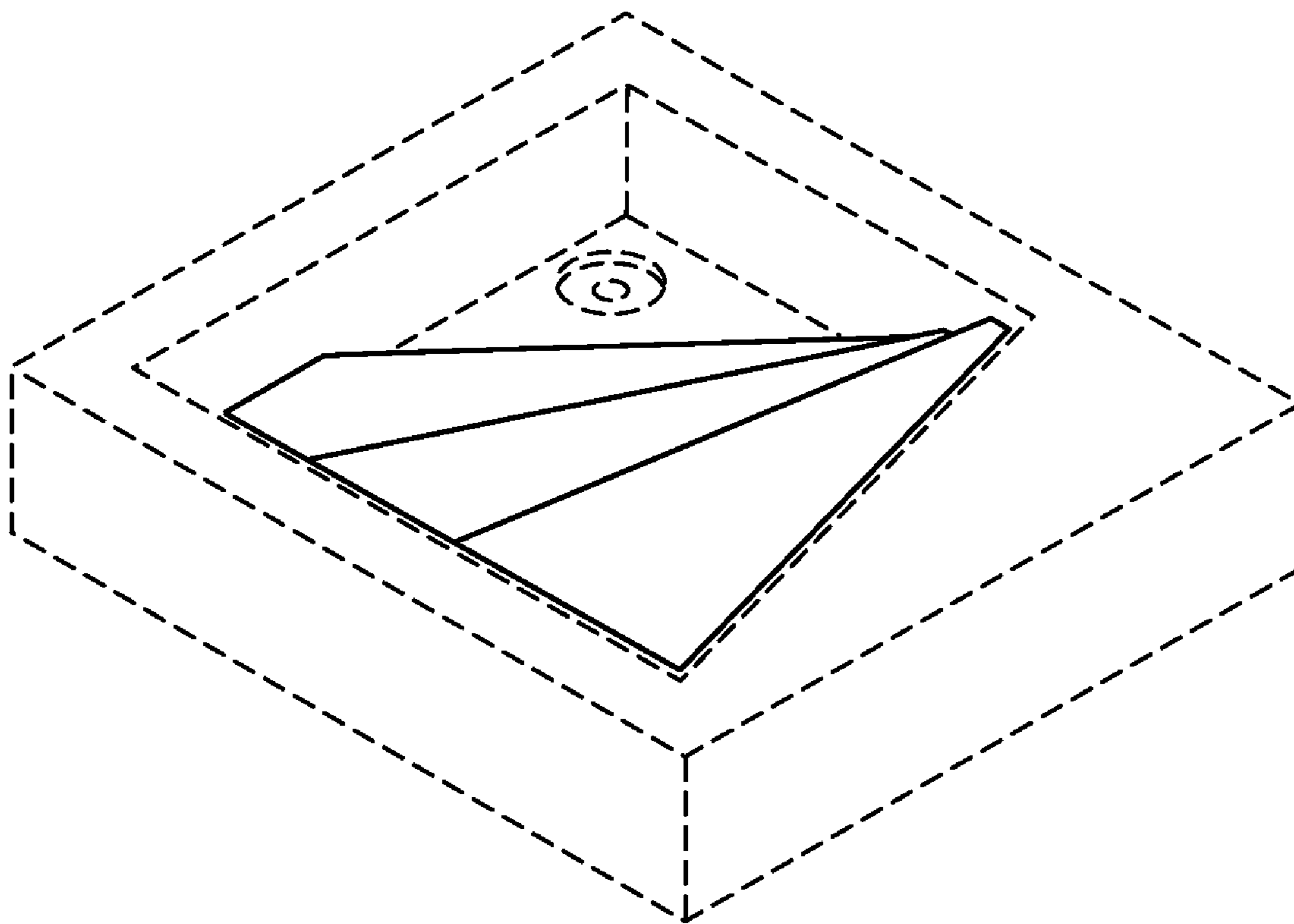
FIG. 5 is a top plan view of the sink of FIG. 1;

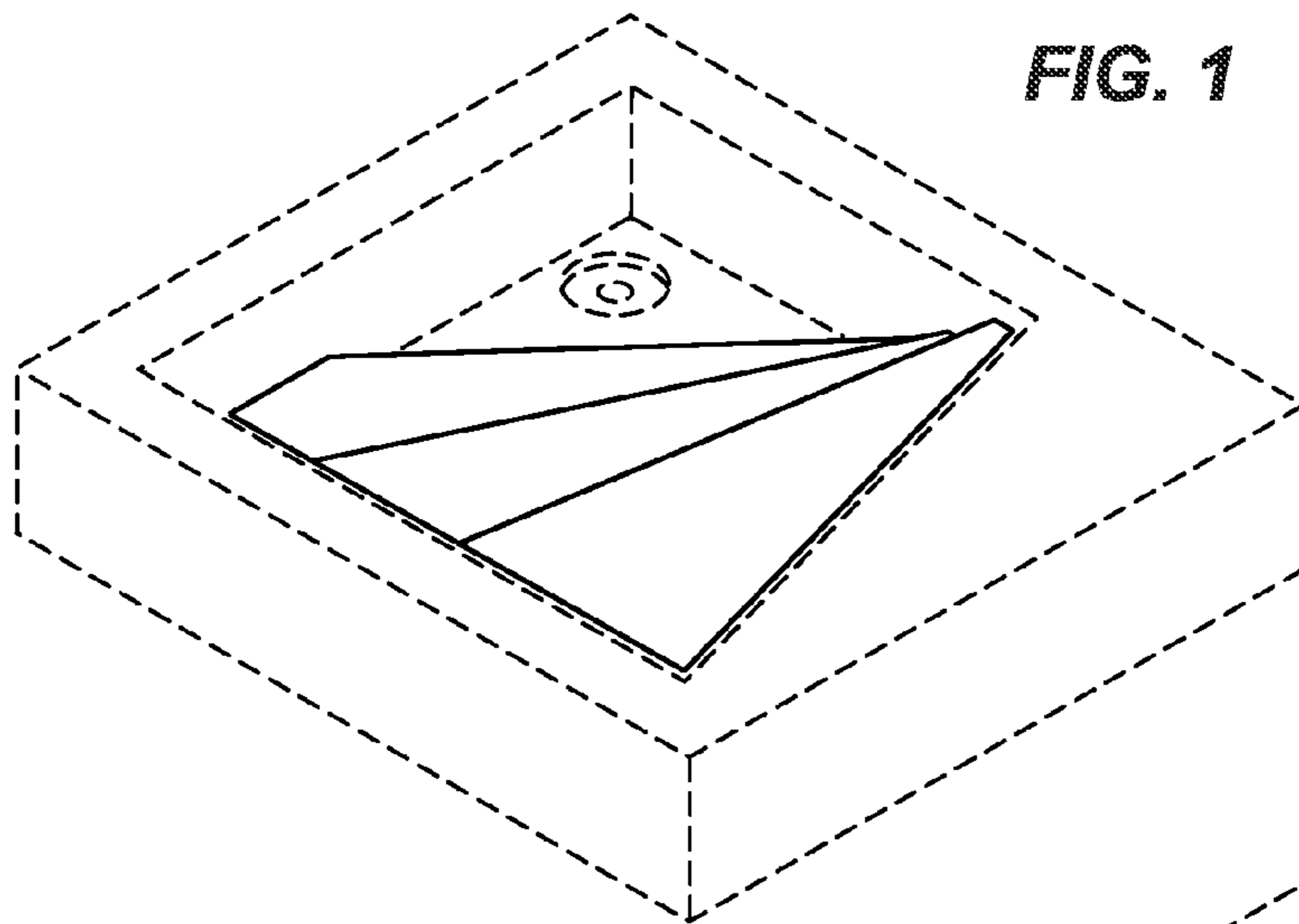
FIG. 6 is a front view of the sink of FIG. 1, the rear view being a mirror image thereof; and,

FIG. 7 is a side view of the sink of FIG. 1, the opposite side view being a mirror image thereof.

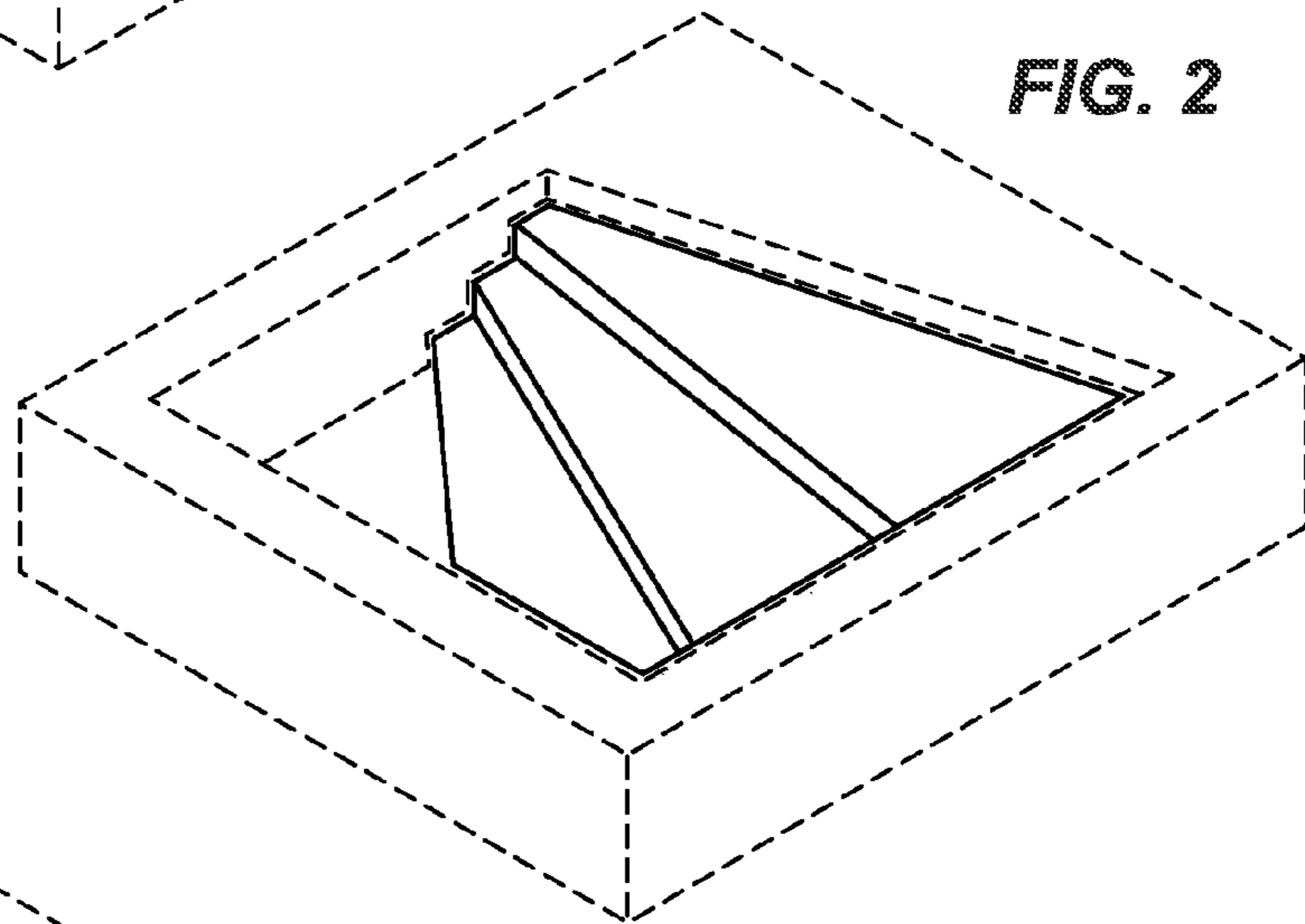
The broken lines showing portions of the sink are included for the purpose of illustrating environment and form no part of the claimed design.

**1 Claim, 2 Drawing Sheets**

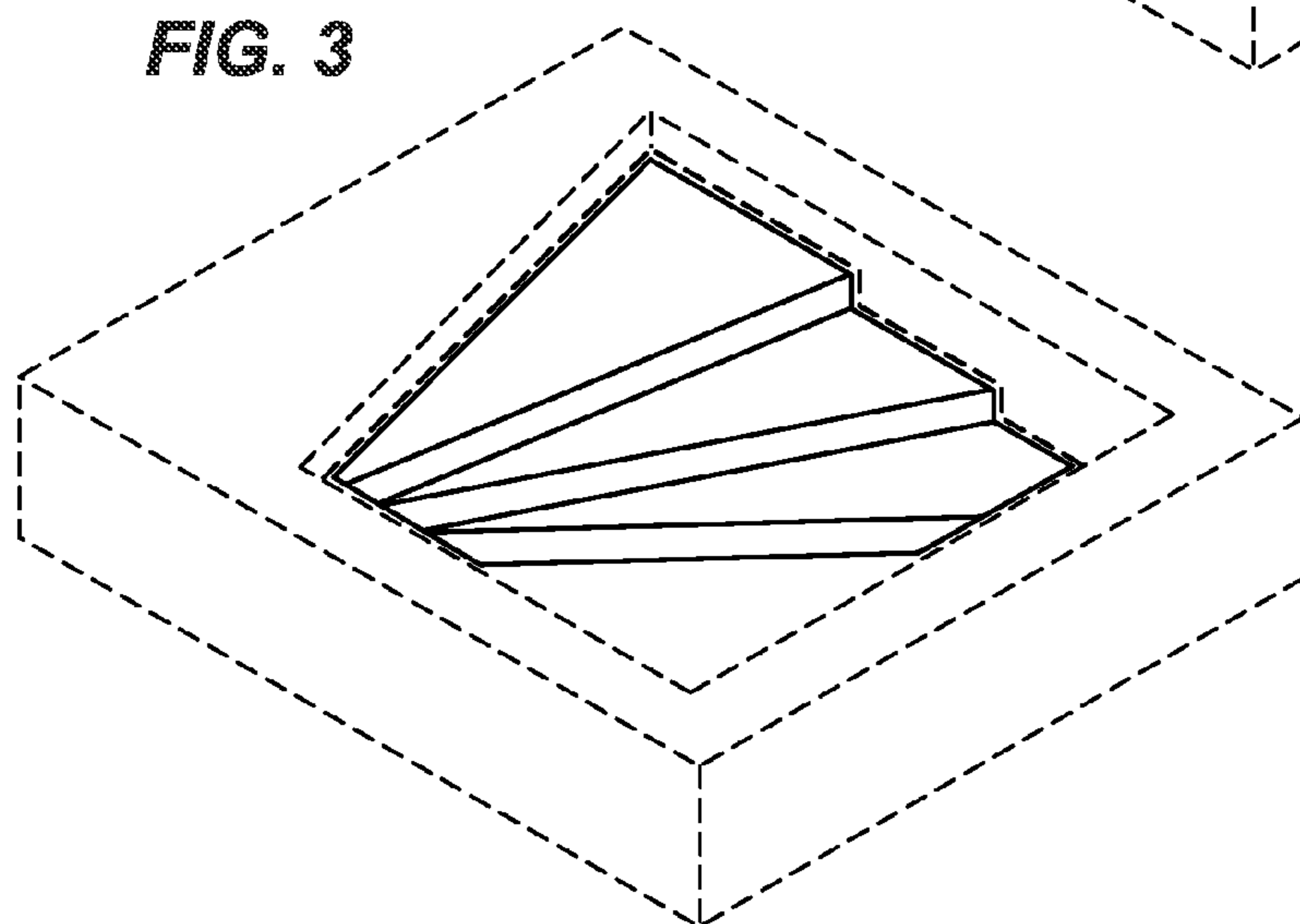




**FIG. 1**

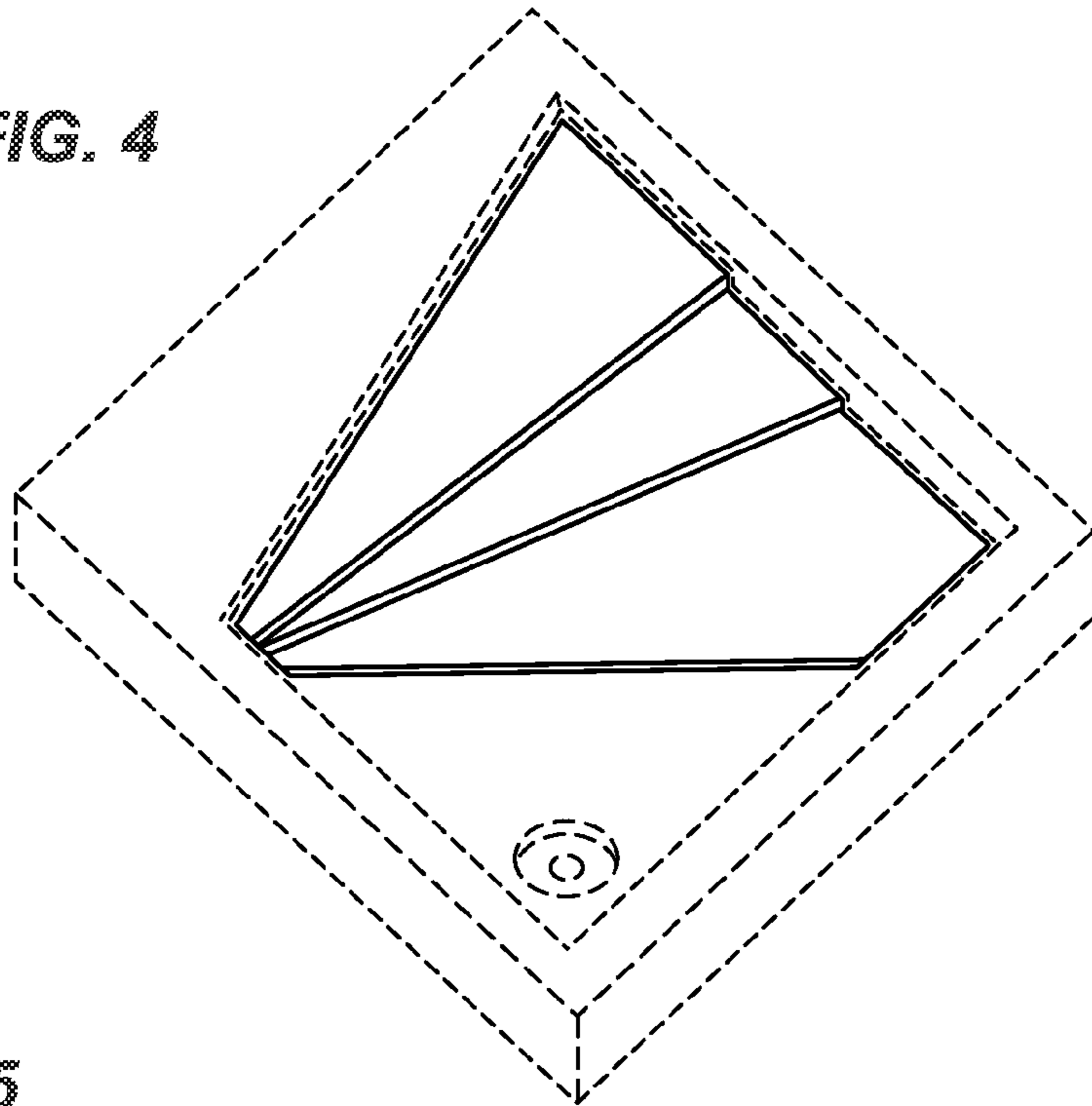


**FIG. 2**

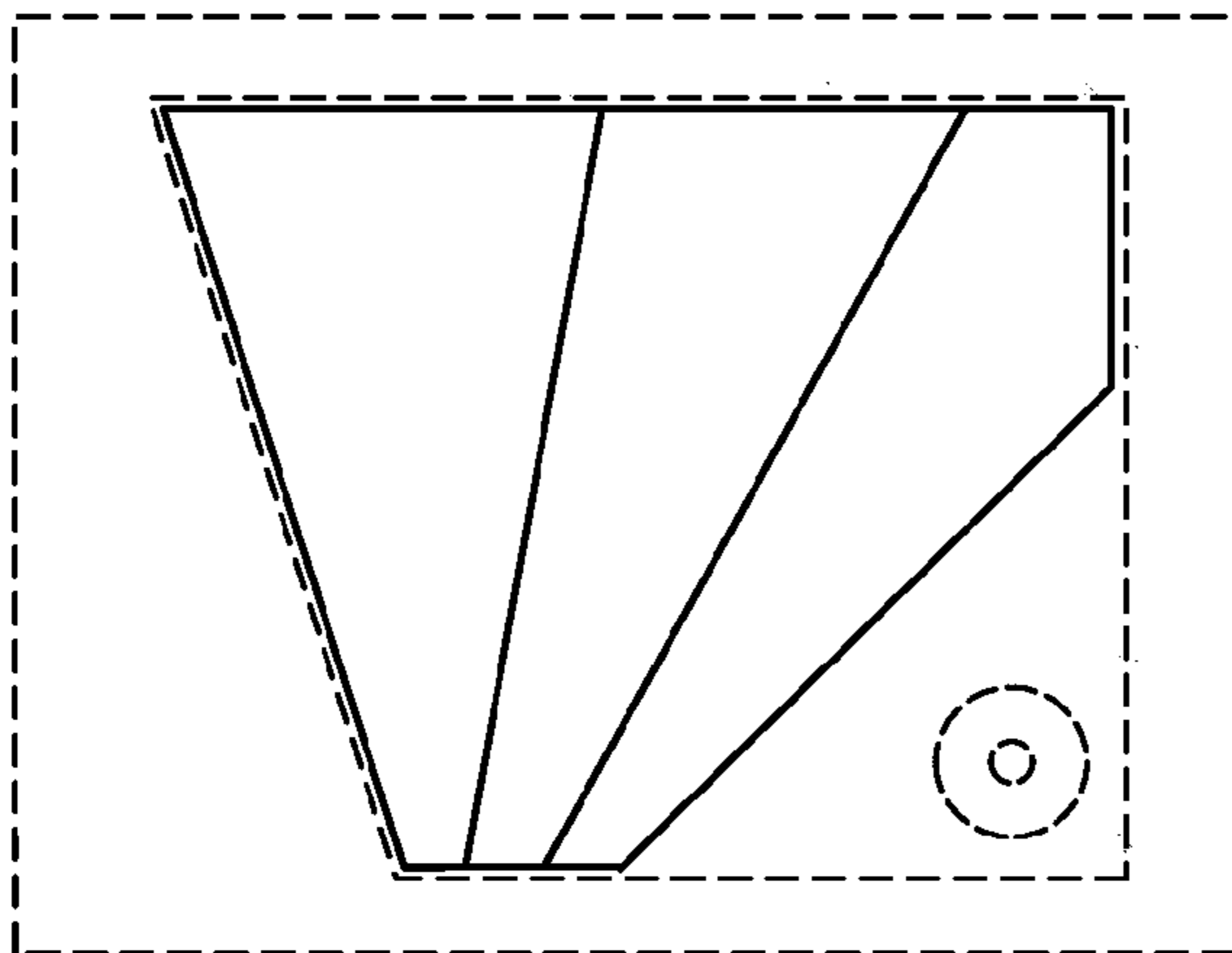


**FIG. 3**

**FIG. 4**



**FIG. 5**



**FIG. 6**



**FIG. 7**

