



US00D635230S

(12) **United States Design Patent**  
**Barry**

(10) **Patent No.:** **US D635,230 S**

(45) **Date of Patent:** **\*\* \*Mar. 29, 2011**

(54) **PLUMBING FIXTURE**

(75) Inventor: **Barbara Barry**, Los Angeles, CA (US)

(73) Assignee: **Kohler Co.**, Kohler, WI (US)

(\*) Notice: This patent is subject to a terminal disclaimer.

(\*\*) Term: **14 Years**

(21) Appl. No.: **29/342,535**

(22) Filed: **Aug. 26, 2009**

**Related U.S. Application Data**

(62) Division of application No. 29/326,796, filed on Oct. 24, 2008, now Pat. No. Des. 608,874.

(51) **LOC (9) Cl.** ..... **23-02**

(52) **U.S. Cl.** ..... **D23/308**

(58) **Field of Classification Search** ..... D23/292,  
D23/308; 4/643, 646

See application file for complete search history.

(56) **References Cited**

**U.S. PATENT DOCUMENTS**

D582,522 S \* 12/2008 Hanna ..... D23/250

D591,834 S \* 5/2009 Williams ..... D23/252

**OTHER PUBLICATIONS**

Kohler Co. "Bancroft Pedestal Lavatory". Model No. K-2347-1.  
Kohler.com online catalog. Copyright 2008 Kohler Co.

Kohler Co. "Leighton Pedestal Lavatory". Model No. K-2326-1.  
Kohler.com online catalog. Copyright 2008 Kohler Co.

Kohler Co. "Cimarron Pedestal Bathroom Sink". Model No. K-23628WH. Faucet.com online catalog. Copyright 1994-2008 All rights reserved. Powered by Decorative Product Source, Inc.

\* cited by examiner

*Primary Examiner* — Robert A Delehanty

(74) *Attorney, Agent, or Firm* — Quarles & Brady LLP

(57) **CLAIM**

The ornamental design for a plumbing fixture, as shown and described.

**DESCRIPTION**

FIG. 1 is a top, right, front perspective view of my new design; FIG. 2 is a front elevational view thereof;

FIG. 3 is a right side elevational view thereof, the left side elevational view thereof being a mirror image of the right side shown;

FIG. 4 is a rear elevational view thereof;

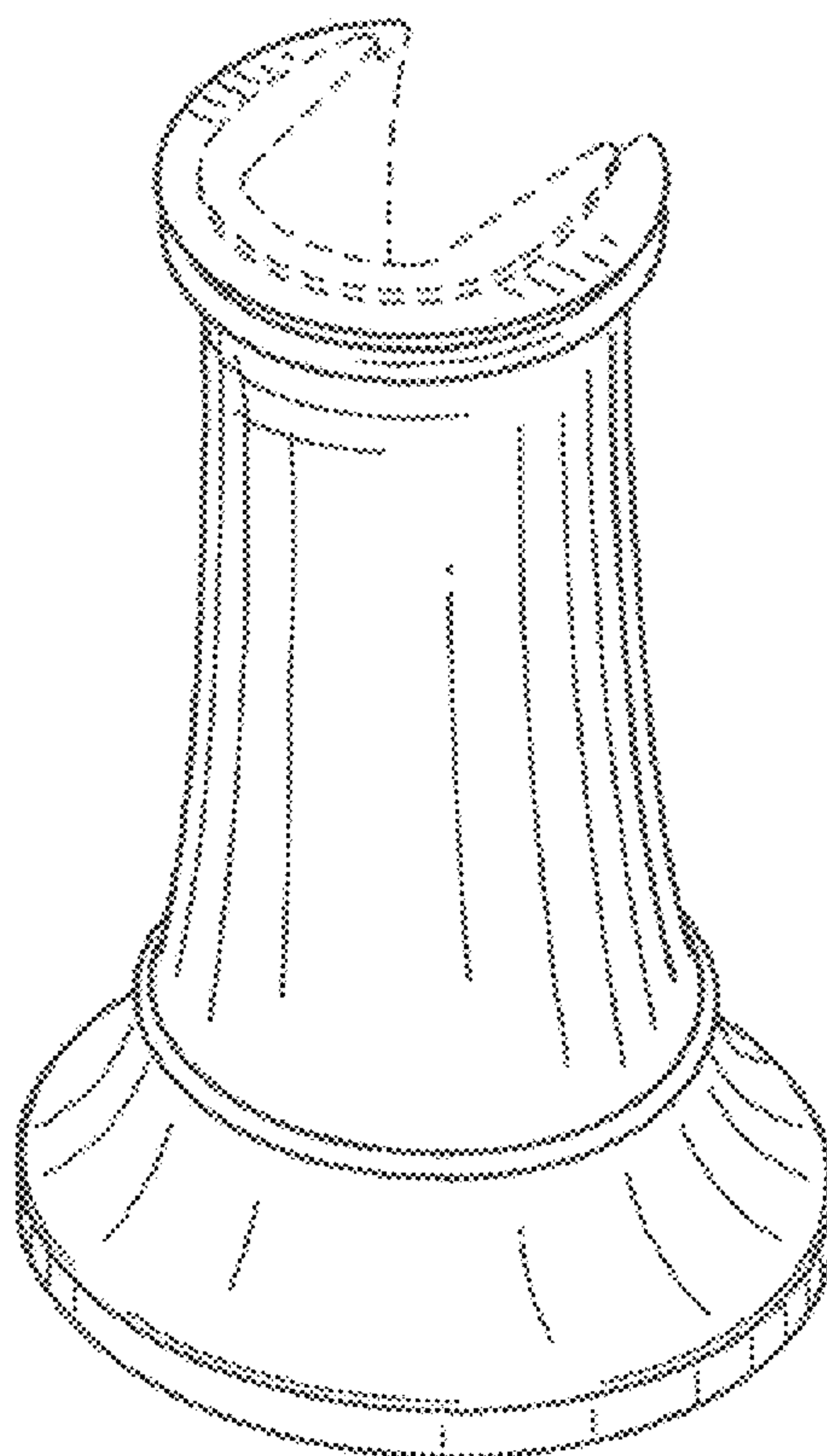
FIG. 5 is a top plan view thereof; and,

FIG. 6 is a bottom plan view thereof.

The broken line representations in the figures for the purpose of illustration only, and form no part of the claimed design.

In a preferred embodiment, the nature of this product is a plumbing fixture, such as a pedestal lavatory or portion thereof.

**1 Claim, 3 Drawing Sheets**



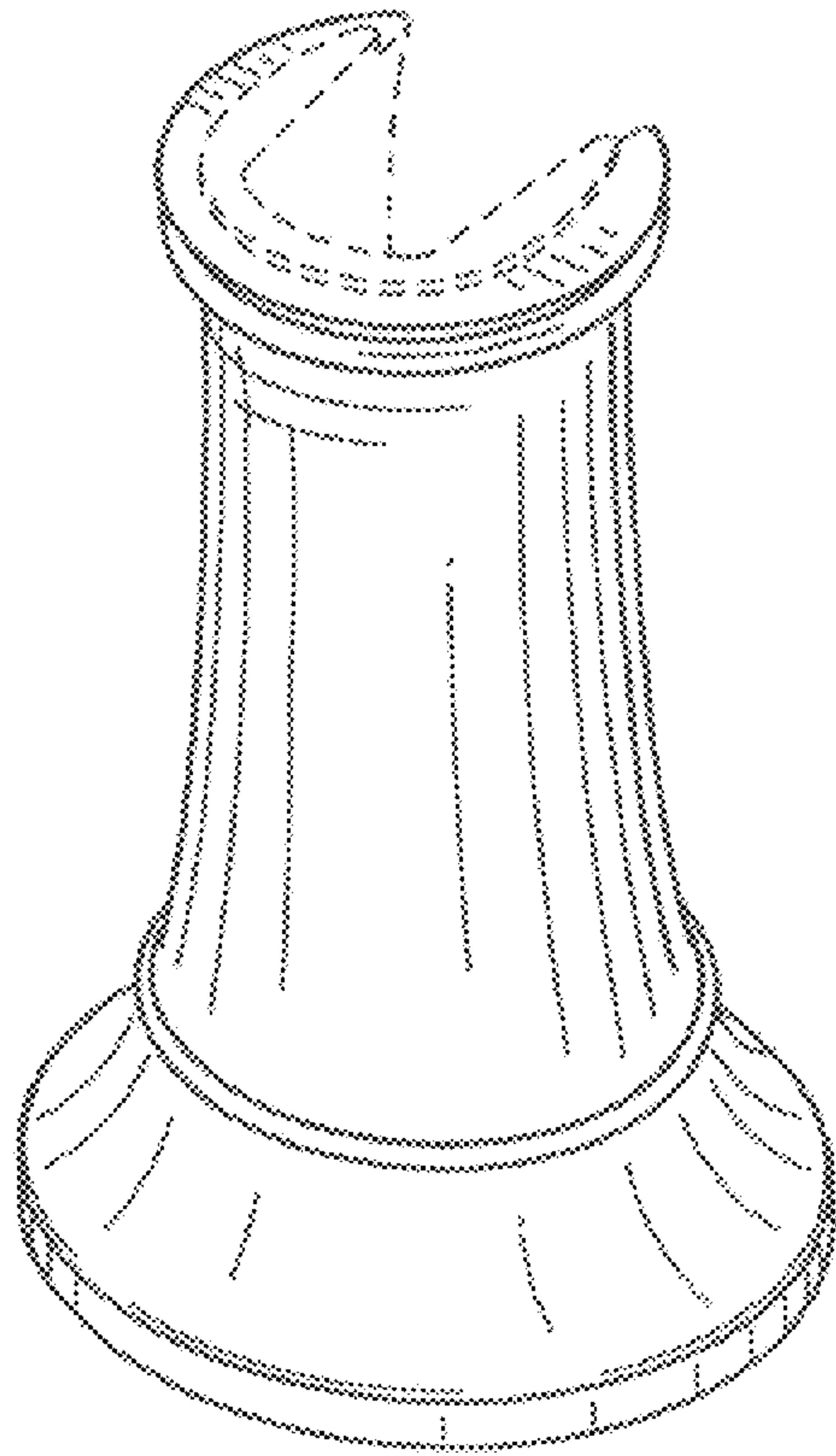


FIG. 1

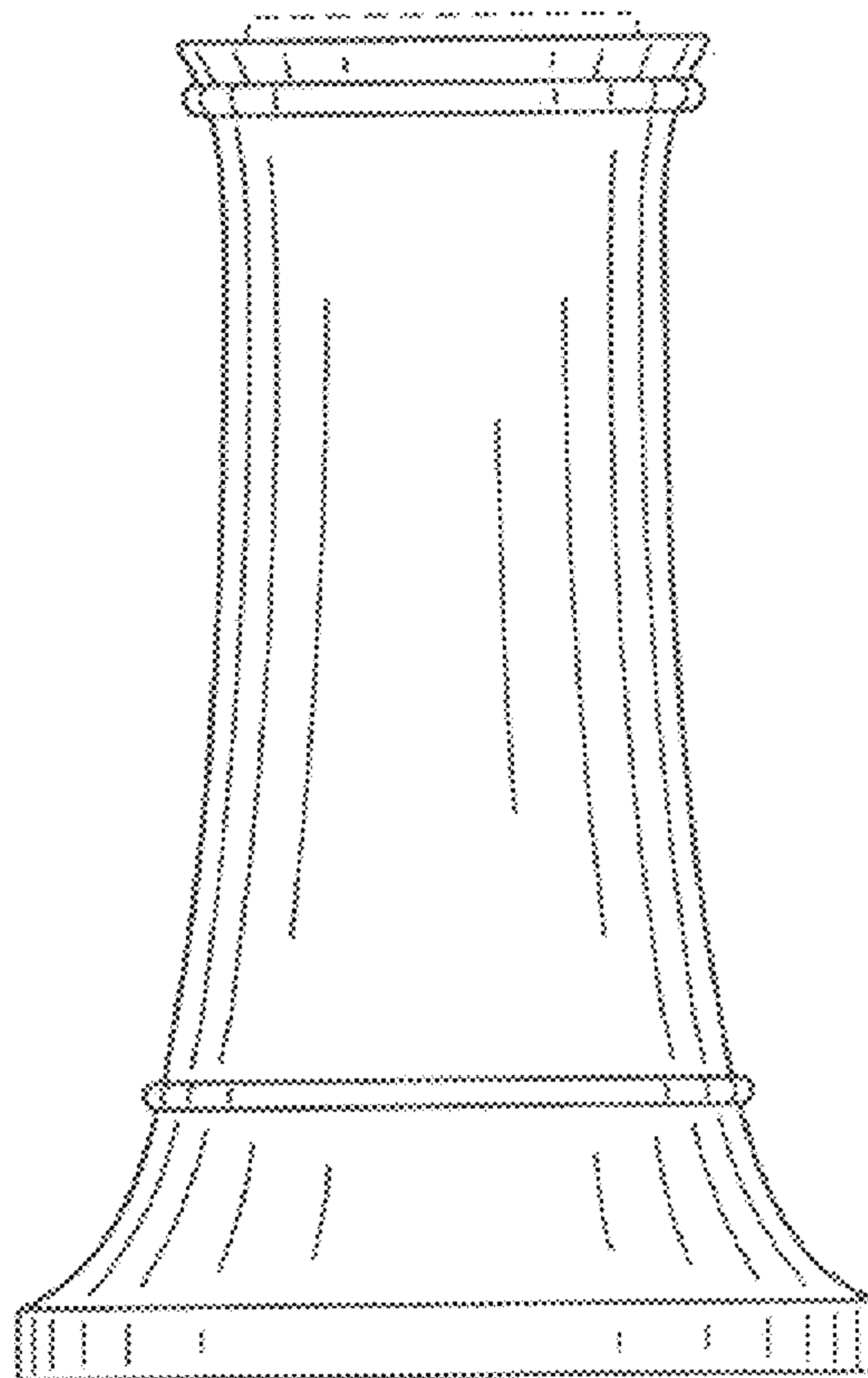


FIG. 2

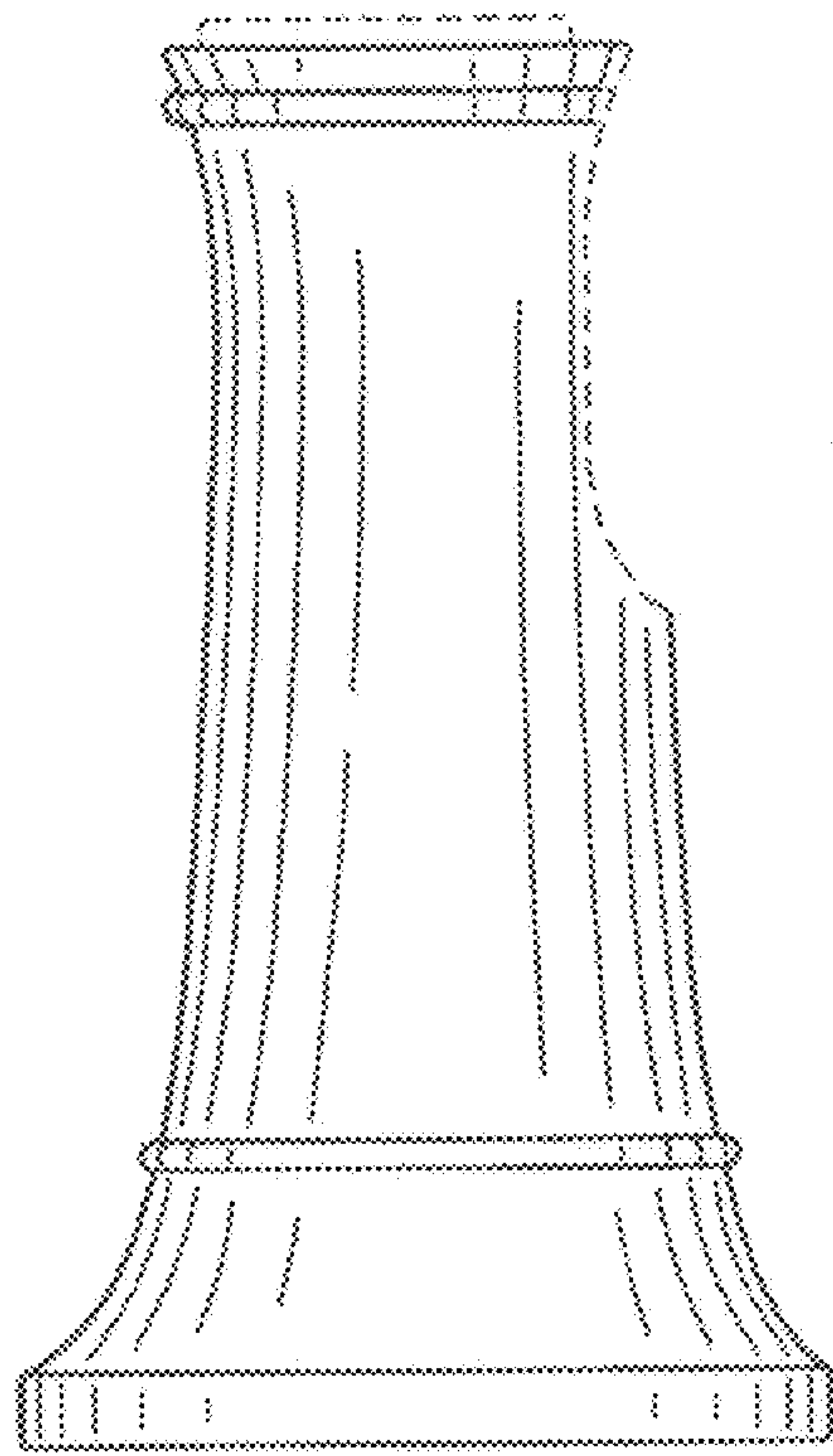


FIG. 3

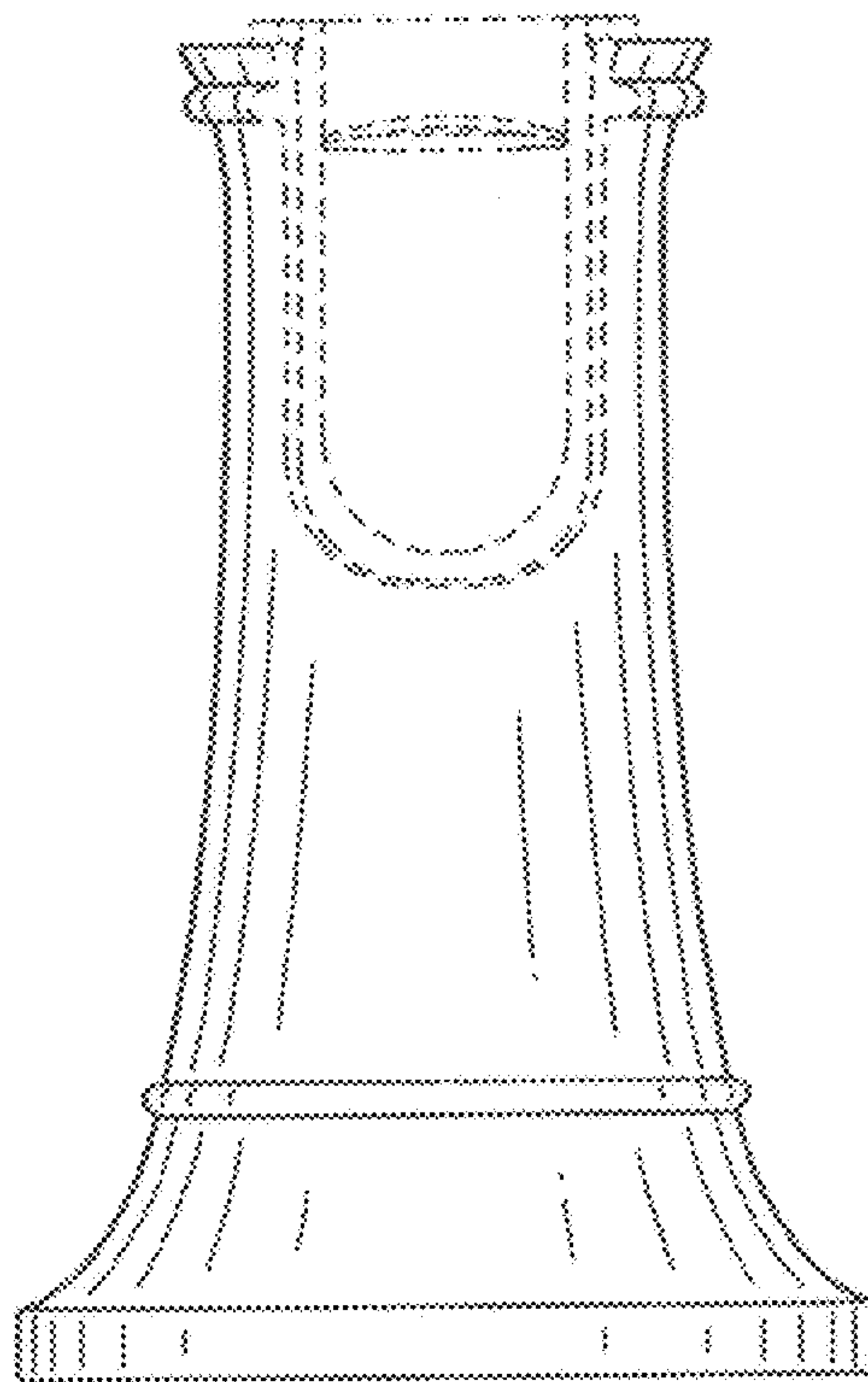


FIG. 4

FIG. 5

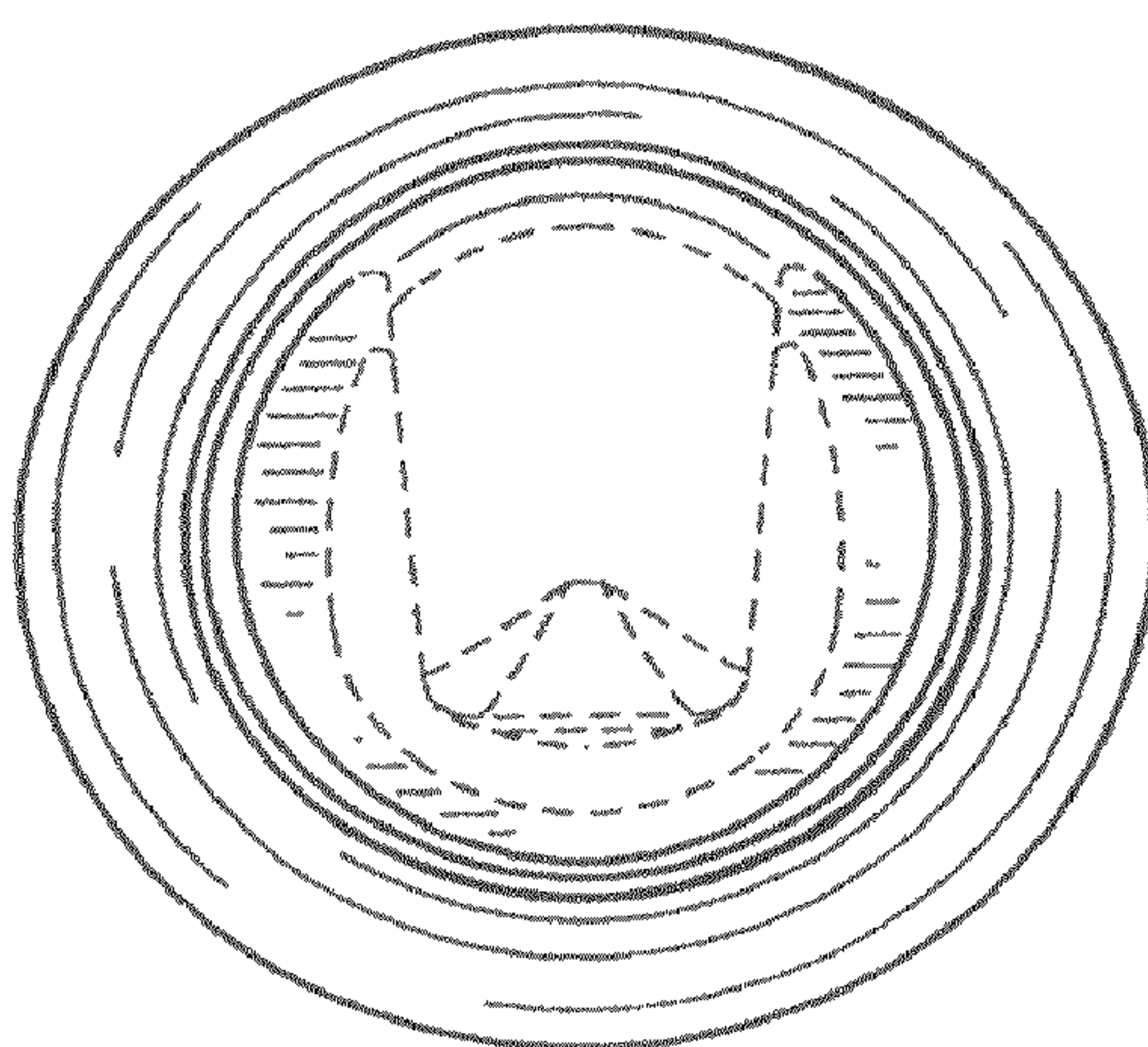


FIG. 6

