



US00D635228S

(12) **United States Design Patent**  
**Eilmus et al.**

(10) **Patent No.:** **US D635,228 S**  
(45) **Date of Patent:** **\*\* Mar. 29, 2011**

(54) **SINK**

(75) Inventors: **Niels J. Eilmus**, Sheboygan, WI (US);  
**Terrence K. Mahon**, Whitefish Bay, WI (US); **Mary Reid**, Sheboygan, WI (US)

(73) Assignee: **Kohler Co.**, Kohler, WI (US)

(\*\*) Term: **14 Years**

(21) Appl. No.: **29/367,303**

(22) Filed: **Aug. 5, 2010**

**Related U.S. Application Data**

(62) Division of application No. 29/336,324, filed on Apr. 30, 2009, now Pat. No. Des. 627,864.

(51) **LOC (9) Cl.** ..... **23-01**

(52) **U.S. Cl.** ..... **D23/290**

(58) **Field of Classification Search** ..... D23/290,  
D23/308; 4/639

See application file for complete search history.

(56) **References Cited**

**U.S. PATENT DOCUMENTS**

D353,880 S \* 12/1994 Hauser, II ..... D23/290  
D464,125 S \* 10/2002 Bayer et al. .... D23/290  
D610,659 S \* 2/2010 Booth ..... D23/290

**OTHER PUBLICATIONS**

Kohler Co. "Anthem Kitchen Sink". Model No. K-5840. Kohler Co. catalog.

Kohler Co. "Langlade Smart Divide Kitchen Sink". Model No. K-6626. Kohler Co. catalog.

Kohler Co. "Poise Double Equal Undercouner Kitchen Sink". Model No. K-3159. Kohler Co. online catalog. Copyright 2009 Kohler Co.

Kohler Co. "Entertainer Entertainment Sink". Model No. K-6558. Kohler Co. catalog.

Notice of Allowance, dated Aug. 9, 2010 for U.S. Appl. No. 29/336,324.

\* cited by examiner

*Primary Examiner* — Robert A Delehanty

(74) *Attorney, Agent, or Firm* — Quarles & Brady LLP

(57) **CLAIM**

The ornamental design for a sink, as shown and described.

**DESCRIPTION**

FIG. 1 is a right, top, front perspective view of a sink according to our new design;

FIG. 2 is a top plan view thereof;

FIG. 3 is a front elevational view thereof;

FIG. 4 is a right side elevational view thereof, the left side elevational view thereof being a mirror image of the right side shown;

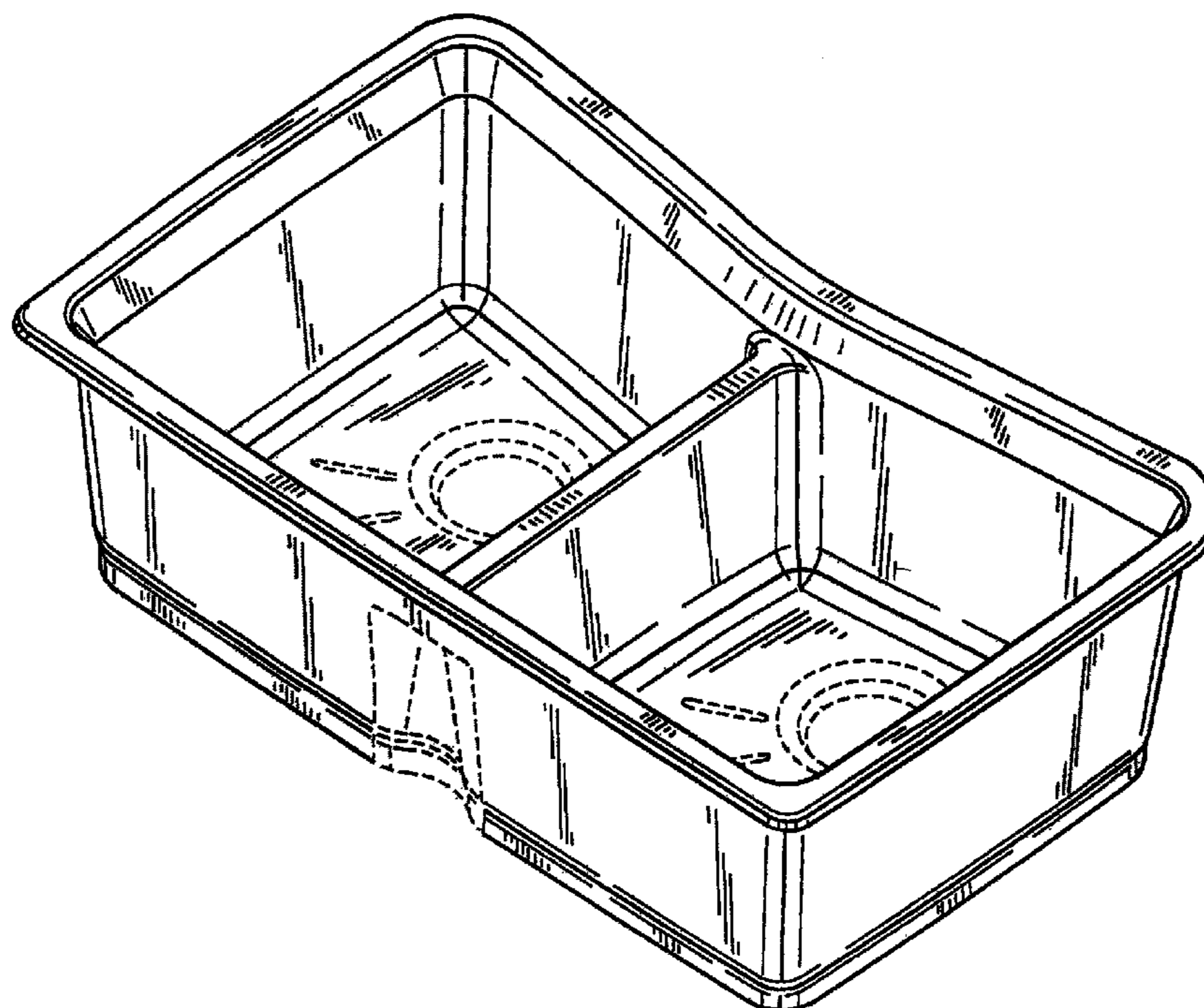
FIG. 5 is a rear elevational view thereof; and,

FIG. 6 is a bottom plan view thereof.

The broken line representations in the figures are for the purpose of illustration only, and form no part of the claimed design.

In a preferred embodiment, the nature of this product is as a plumbing fixture in the form of a sink which is primarily useful for washing various items.

**1 Claim, 4 Drawing Sheets**



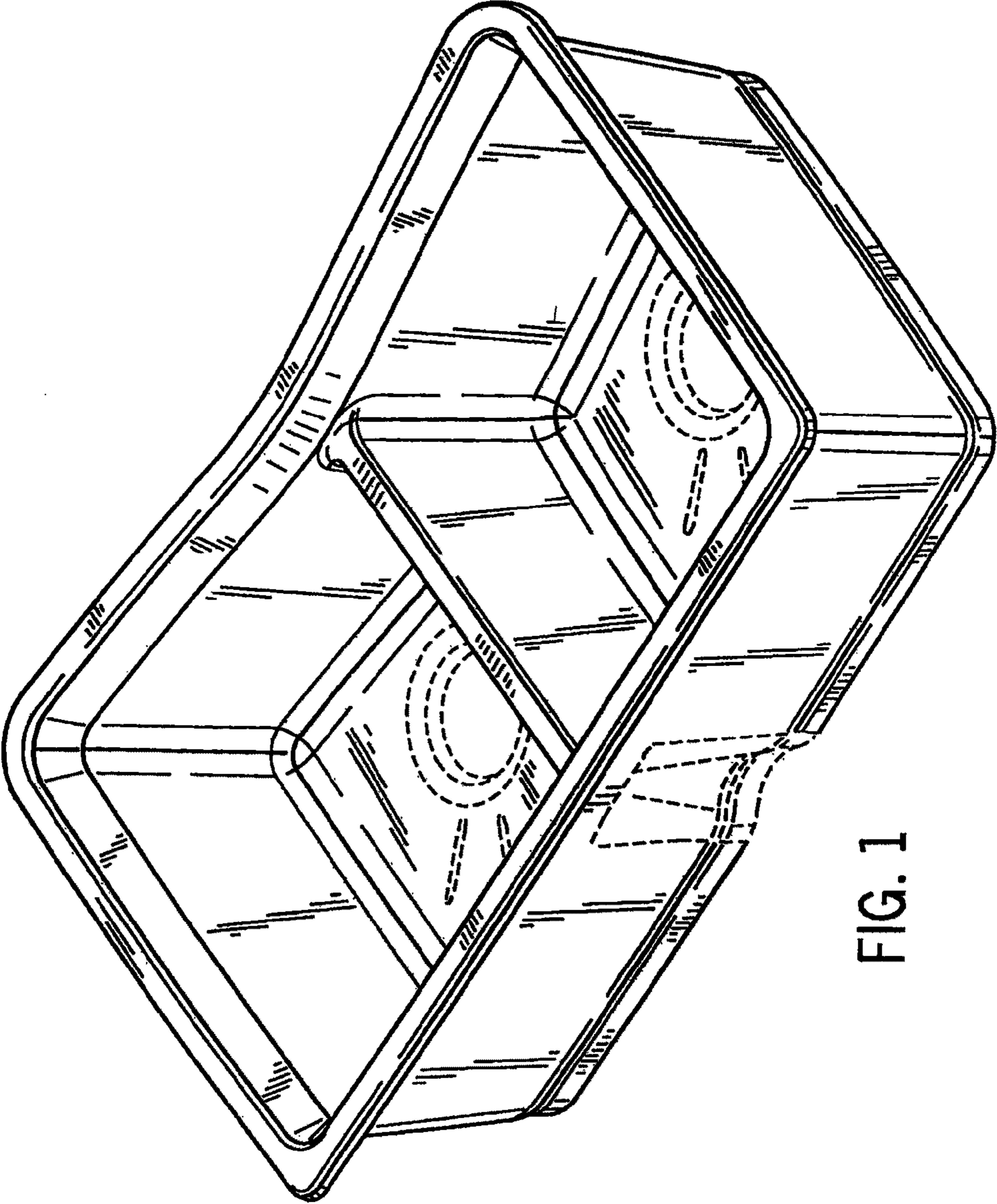


FIG. 1

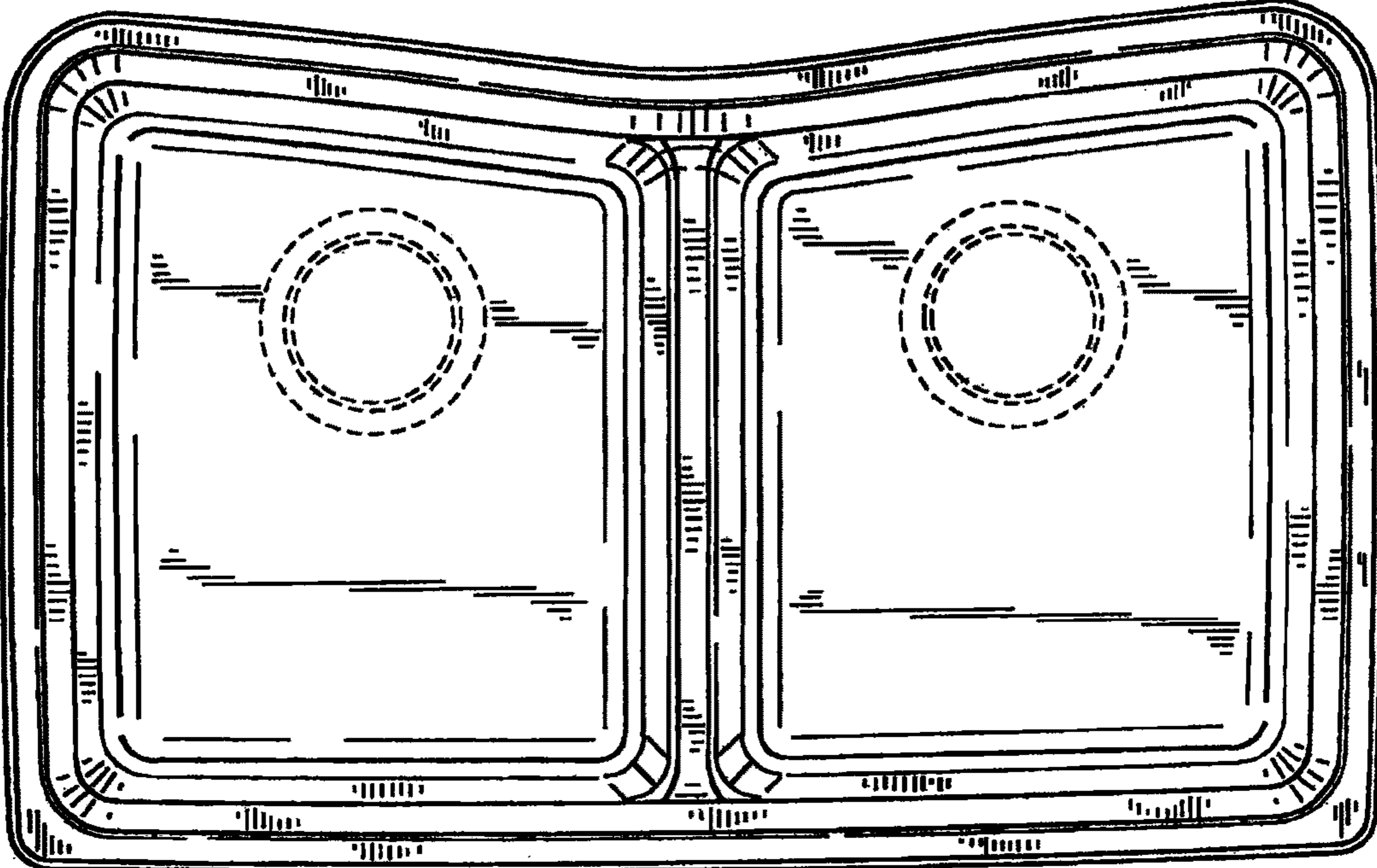


FIG. 2

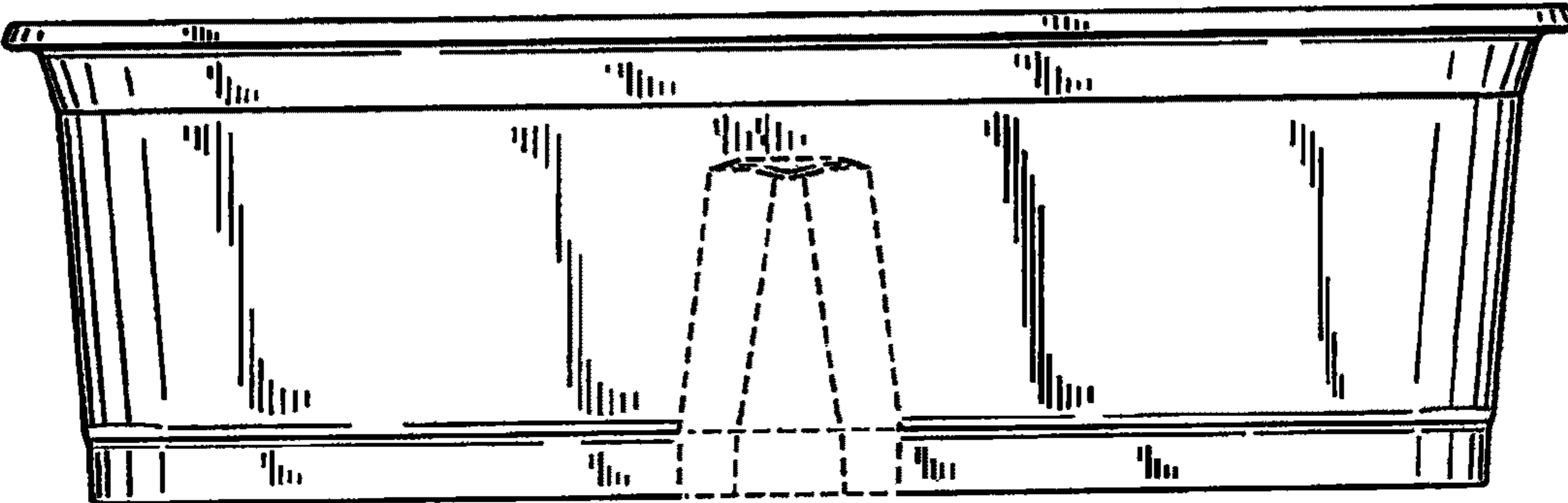


FIG. 3

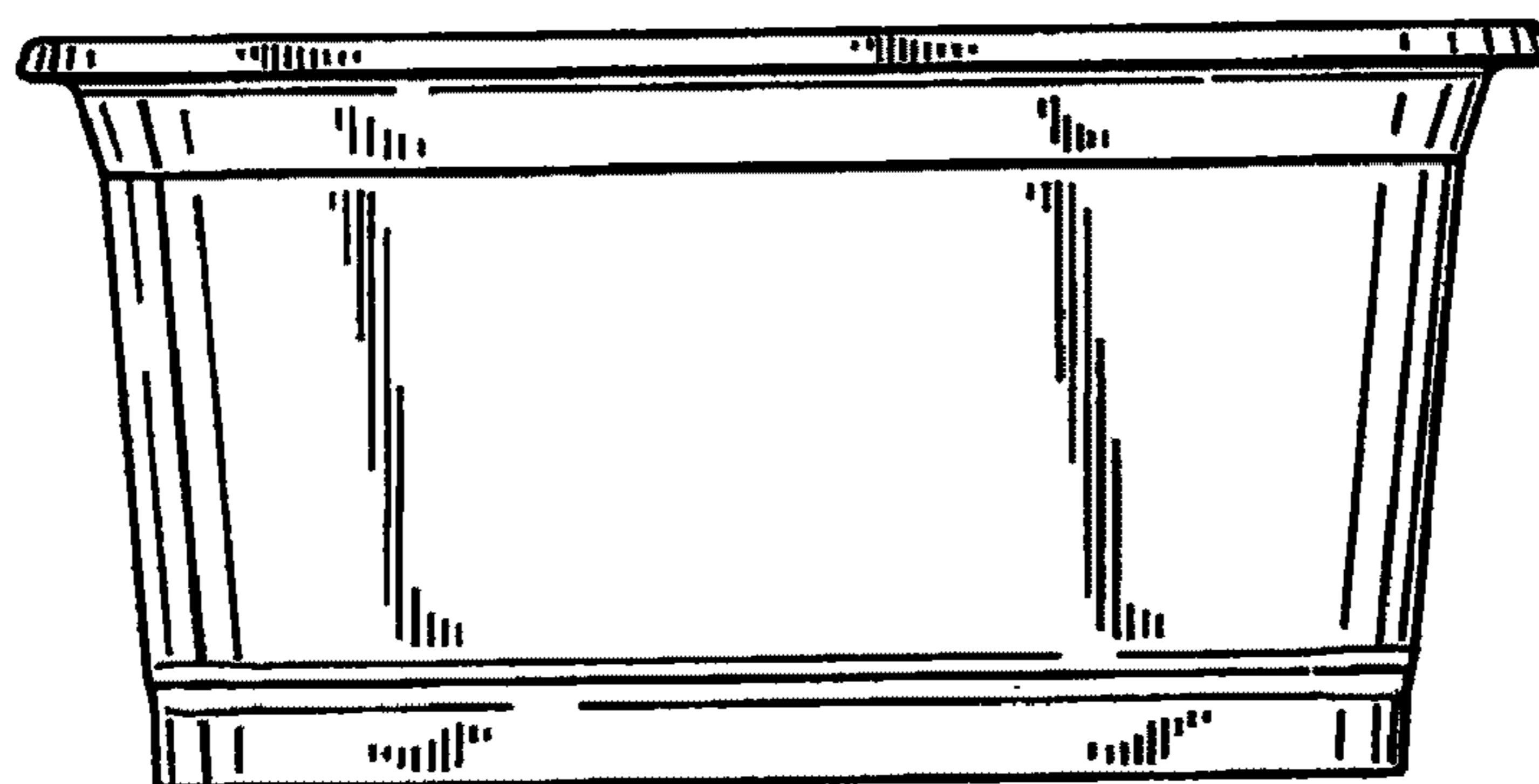


FIG. 4

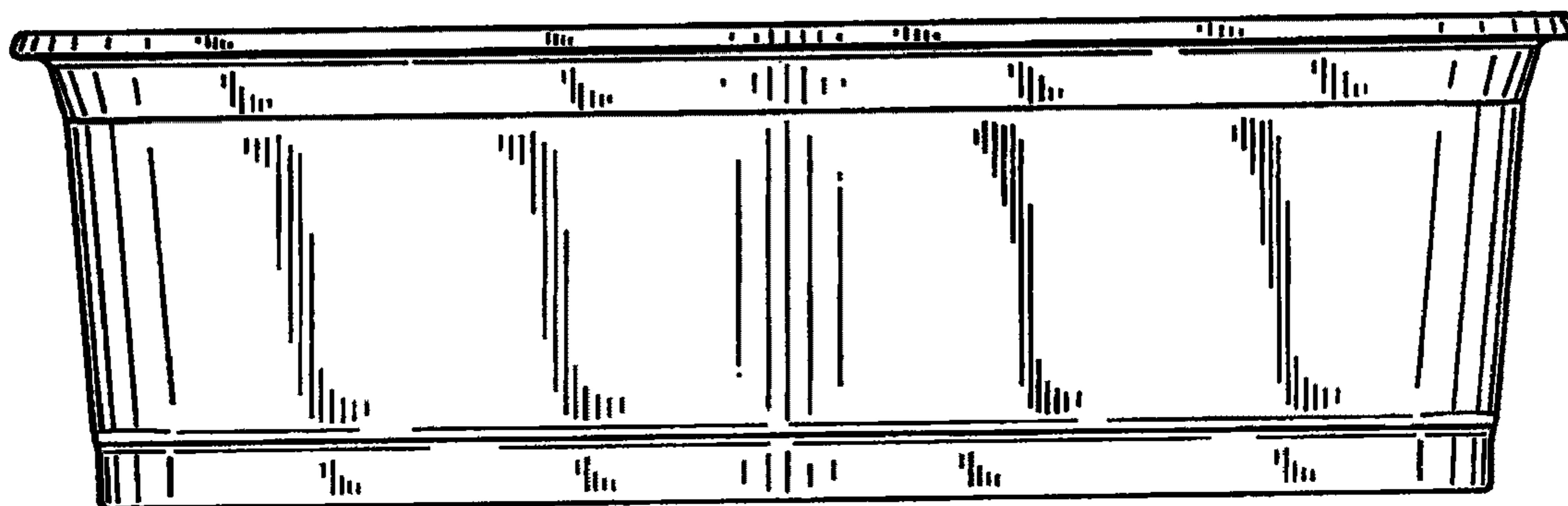


FIG. 5

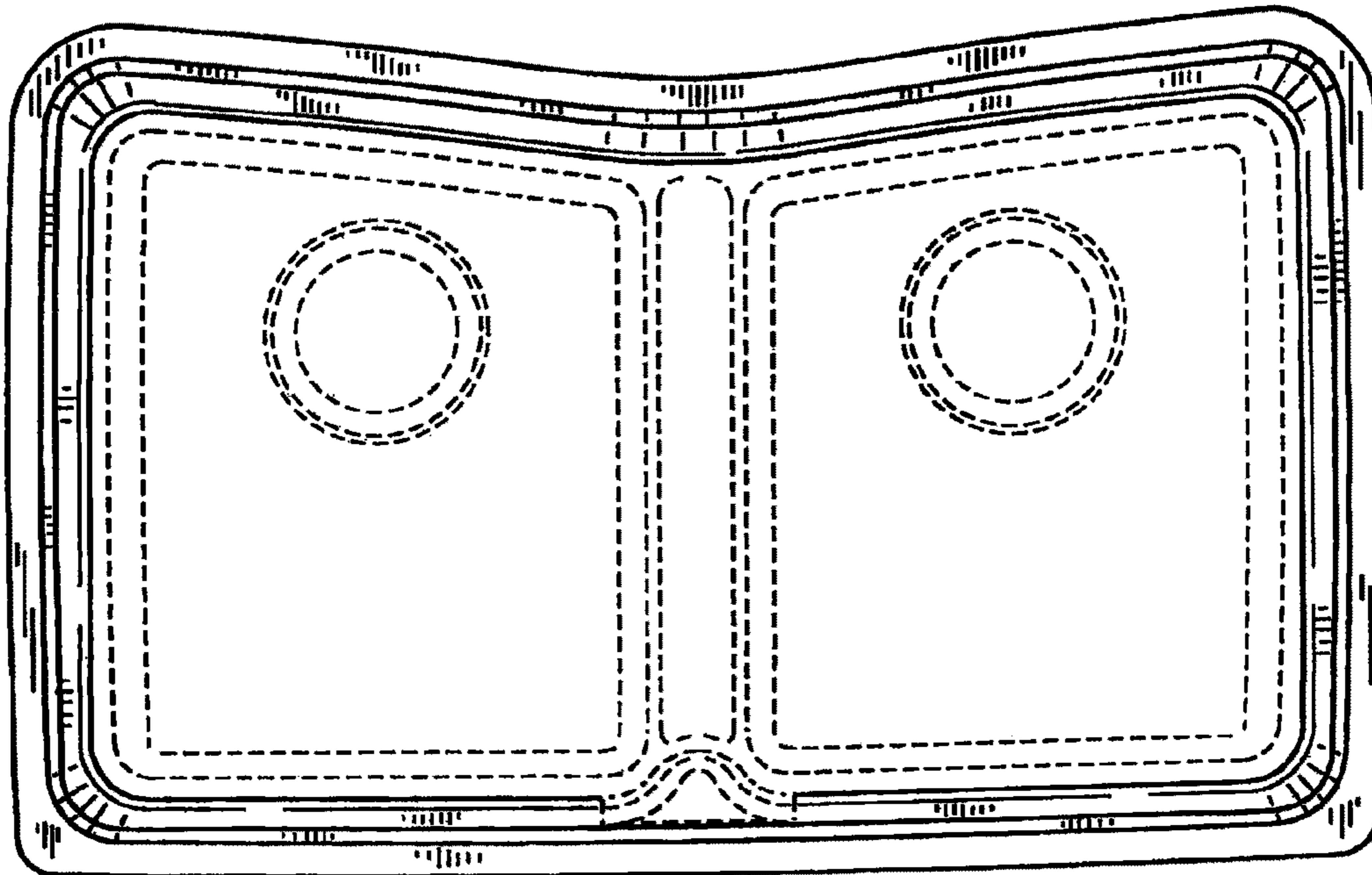


FIG. 6