



US00D635226S

(12) **United States Design Patent**
Lyons

(10) **Patent No.:** **US D635,226 S**
(45) **Date of Patent:** **** Mar. 29, 2011**

- (54) **HEATED SOAKING BATHTUB**
- (75) Inventor: **Donald D. Lyons**, Dowagiac, MI (US)
- (73) Assignee: **Lyons Industries, Inc.**, Dowagiac, MI (US)
- (**) Term: **14 Years**
- (21) Appl. No.: **29/348,512**
- (22) Filed: **Jan. 13, 2010**
- (51) **LOC (9) Cl.** **23-02**
- (52) **U.S. Cl.** **D23/277**
- (58) **Field of Classification Search** D23/277,
D23/280.1, 303-304; 4/538
See application file for complete search history.

(56) **References Cited**

U.S. PATENT DOCUMENTS

D216,466 S	1/1970	Armstrong et al.	
D328,489 S	8/1992	Stairs, Jr.	
D335,701 S	5/1993	Zaccai et al.	
D358,456 S	5/1995	Patterson	
D373,817 S	9/1996	Andronico	
D392,029 S	3/1998	Singla Palacin	
D393,698 S	4/1998	Singla Palacin	
D395,698 S	6/1998	Singla Palacin	
D398,381 S	9/1998	Singla Palacin	
D419,654 S	1/2000	Chiu	
D428,475 S	7/2000	Thomas	
D441,850 S	5/2001	Jacuzzi	
D454,181 S	3/2002	Bertoli	
D454,387 S	3/2002	Bertoli	
D460,538 S	7/2002	Jacuzzi	
D482,763 S	11/2003	Thomas	
D485,603 S	1/2004	Lyons	
D510,984 S	10/2005	Matthews et al.	
D524,926 S	7/2006	Lebrun et al.	
D576,715 S *	9/2008	Breymaier et al. D23/277
D619,224 S *	7/2010	Stanchak D23/277

OTHER PUBLICATIONS

Advertisement, Eljer, "Fine Art for the Bath", undated, 2 pages.

Advertisement, Crane Plumbing, "A Broad Range of Distinctively Styled Bathroom Products", 1995, 4 pages.
 Advertisement, Hydro Systems, Inc. "Hydro Systems, Inc.", 1993, 12 pages.
 Advertisement, Trayco, Inc., "BathForms and ShowerForms Family of Products", 1992, 8 pages.
 Advertisement, Clarke Products, Inc., "Great Bathrooms begin with Clarke", 1993, 12 pages.
 Advertisement, Kohler Co., "Whirlpools and Baths", 1992, 8 pages.
 Advertisement, Universal-Rundle Corporation, "Bathing Systes: Whirlpools", 1993, 6 pages.
 Advertisement, Eljer Industries, "Light Weight is No Substitute for Cast Iron Durability", undated 2 pages.
 Advertisement, Eljer Industries, "Whirlpools", undated, 8 pages.
 Advertisement, Hydromassage, Inc., "Hydromassage: Superior Standard of Excellence", 1991, 8 pages.
 Advertisement, Hydromassage, Inc., "Hydromassage: Carnation", undated 1 page.
 Advertisement, Hydromassage, Inc., "Hydromassage: About the Quality of our Shower Units", undated 2 pages.

(Continued)

Primary Examiner — Robert A Delehanty
(74) *Attorney, Agent, or Firm* — Baker & Daniels LLP

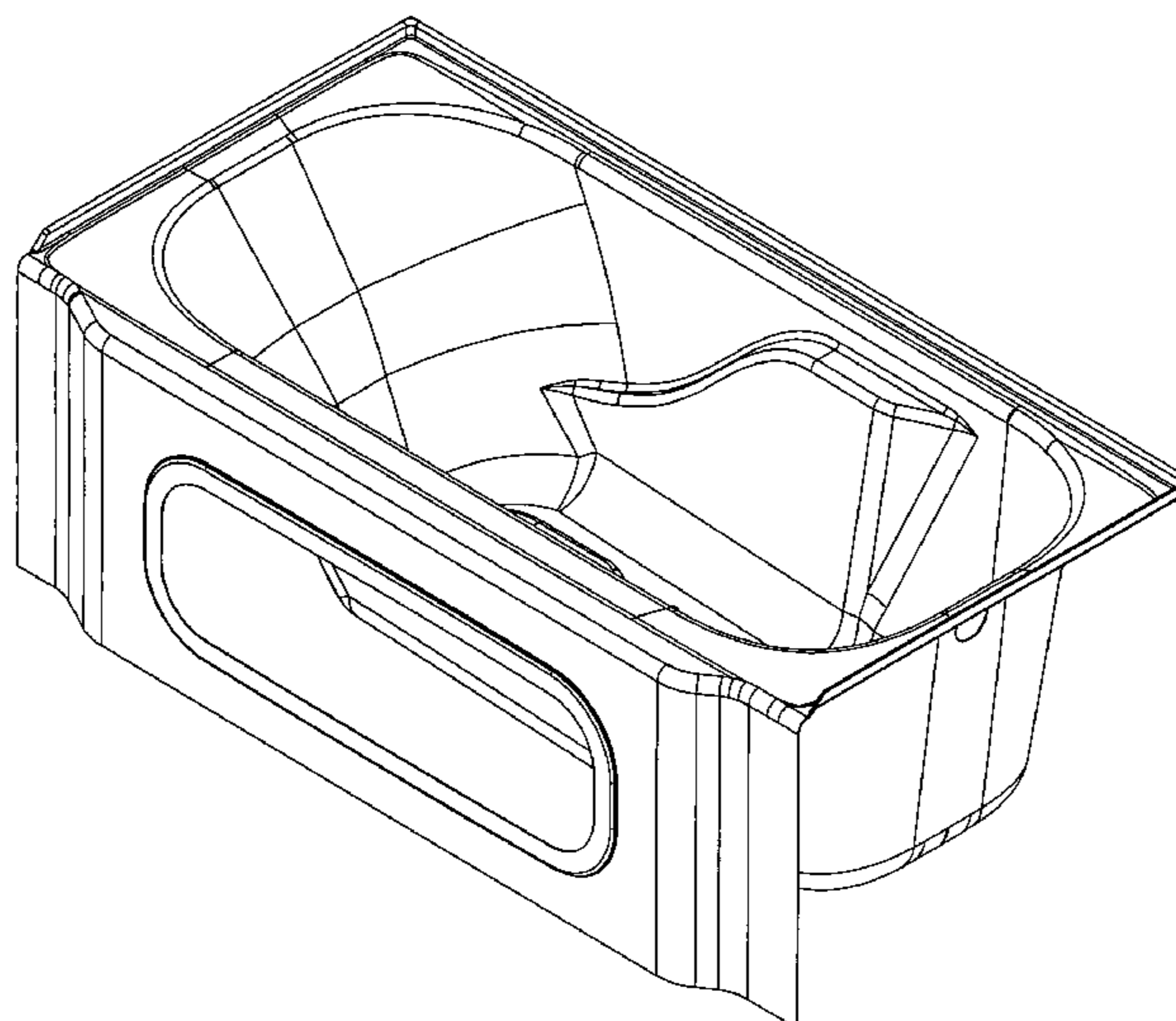
(57) **CLAIM**

I claim the ornamental design for a heated soaking bathtub, as shown.

DESCRIPTION

FIG. 1 is a perspective view of the bathtub of the present invention;
 FIG. 2 is a front side view of the bathtub;
 FIG. 3 is a rear side view of the bathtub;
 FIG. 4 is a top plan view of the bathtub;
 FIG. 5 is a bottom plan view of the bathtub;
 FIG. 6 is an end view of the bathtub; and,
 FIG. 7 is an end view of the bathtub from the end opposite FIG. 6.

1 Claim, 6 Drawing Sheets



OTHER PUBLICATIONS

Advertisement, Hydromassage, Inc., "Hydromassage: "Contractor Series" Showers", undated, 2 pages.
Advertisement, Hydromassage, Inc., "Hydromassage: "Contractor Series" Showers", undated, 1 pages.
Advertisement, Hydromassage, Inc., "Hydromassage: Carnation Showers", undated, 4 pages.
Advertisement, Hydromassage, Inc., "Price List", 1998, 8 pages.
Advertisement, Galbocca Fixtures, Inc., "Adora", undated, 14 pages.
Advertisement, Maax Inc., "Axam Collection", undated, 6 pages.
Advertisement, Pearl Baths, Inc., "Contractor Series", 1993, 4 pages.
Advertisement, Cedar Glass: Cedar Manufacturing Company, "BremenGlas Inc." undated 8 pages.
Advertisement, International Cushioned Products, Inc., "The Soft Bathtub", undated, 4 pages.
Advertisement, Kohler, "Kohler Design Data", Sep. 1986, 2 pages.
Advertisement, Caldera Spas, "Whirlpool Baths", undated 2 pages.
Advertisement, Aqualux, "Aqualux", undated, 6 pages.
Advertisement, Broadway Whirlpool Inc., "Broadway Whirlpool: Affordable Luxury", undated, 4 pages.
Advertisement, UltraBath, "UltraBath: the ultimate bath", undated, 8 pages.
Advertisement, Swirl-way Plumbing Group, "Personal Comfort Just Got More Personalized", undated 1 page.
Advertisement, "Verdi", undated, 2 pages.
Advertisement, NoviAmerican, "More Depth. More Features. More Comfort than Ever. Introducing Ultra by NoviAmerican" 1989, 2 pages.
Advertisement, Plastic Creations, Incorporated, "Gulfstream Whirlpool Bath", undated, 4 pages.

Advertisement, Benjamin Manufacturing Co., Inc., "Benjamin Manufacturing Company, Inc.", undated, 6 pages.
Advertisement, Great Lakes Spa, a Division of Precision Engineered Plastics, Inc., "Venus", undated, 1 page.
Advertisement, Acrylica Inc., "Maxima II", undated, 2 pages.
Advertisement, Carron Plastics (1982) Limited, "Carron Plastics: Range of Quality Bathroom Products", undated, 4 pages.
Catalog, Hydromassage Inc., "Hydromassage: Superior Standard of Excellence", 1991, 32 pages.
Catalog, Aqua Glass Corporation, "Aqua Glass: The Elements of Style", 1990, 30 pages.
Catalog, Jacuzzi Whirlpool Bath, Jacuzzi, Inc., "The International Collection: 1992", 1991, 36 pages.
Catalog, Royal Baths Manufacturing, "Royal Whirlpool Baths", undated, 24 pages.
Catalog, Metall + Kunststoffwerk GmbH & Co., "The Luxury Range", undated, 8 pages.
Catalog, Lasco Bathware, "Aquus Whirlpool Baths", undated, 15 pages.
Catalog, Hydro Swirl, "Hydro Swirl: Acrylic Jetted Baths & Shower Bases", Feb. 1993, 32 pages.
Catalog, American Standard, Inc., "Whirlpool", 1992, 16 pages.
Catalog, Capri Bath Products, a Division of CSI, "Capri Bath Products: Builder's Collection", undated, 12 pages.
Catalog, Acrylic, a Division of Maax, "Acrylic Bathtubs, Whirlpools, Aeromax", undated, 40 pages.
Brochure, Maax, Inc., "Premium by Maax: Bathe the Difference", undated, 12 pages.

* cited by examiner

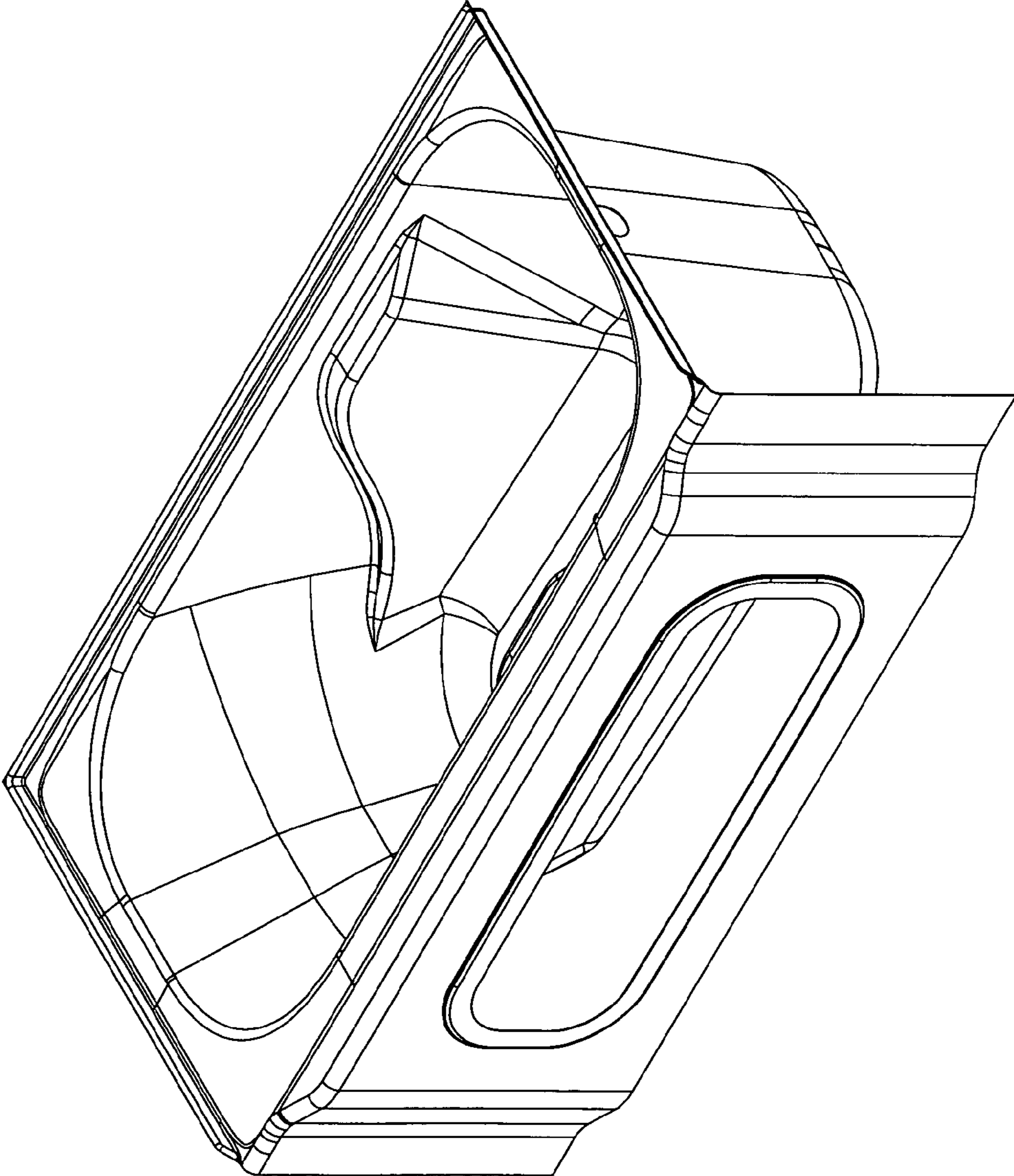


FIG. 1

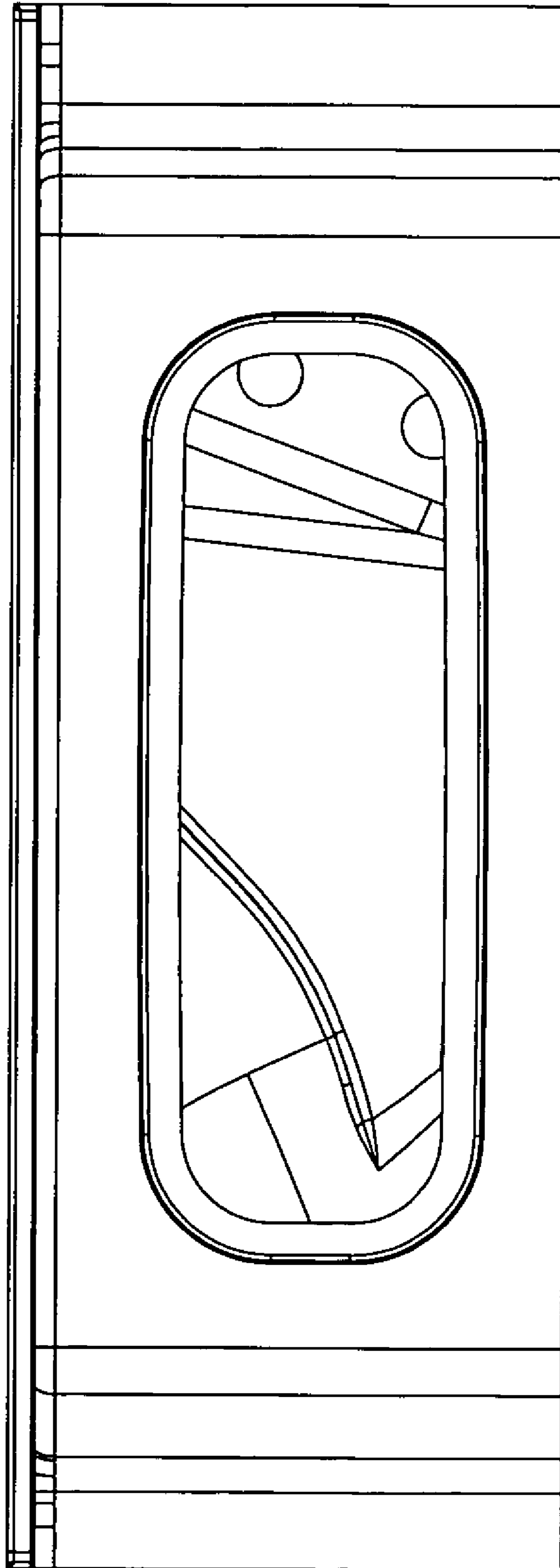


FIG. 2

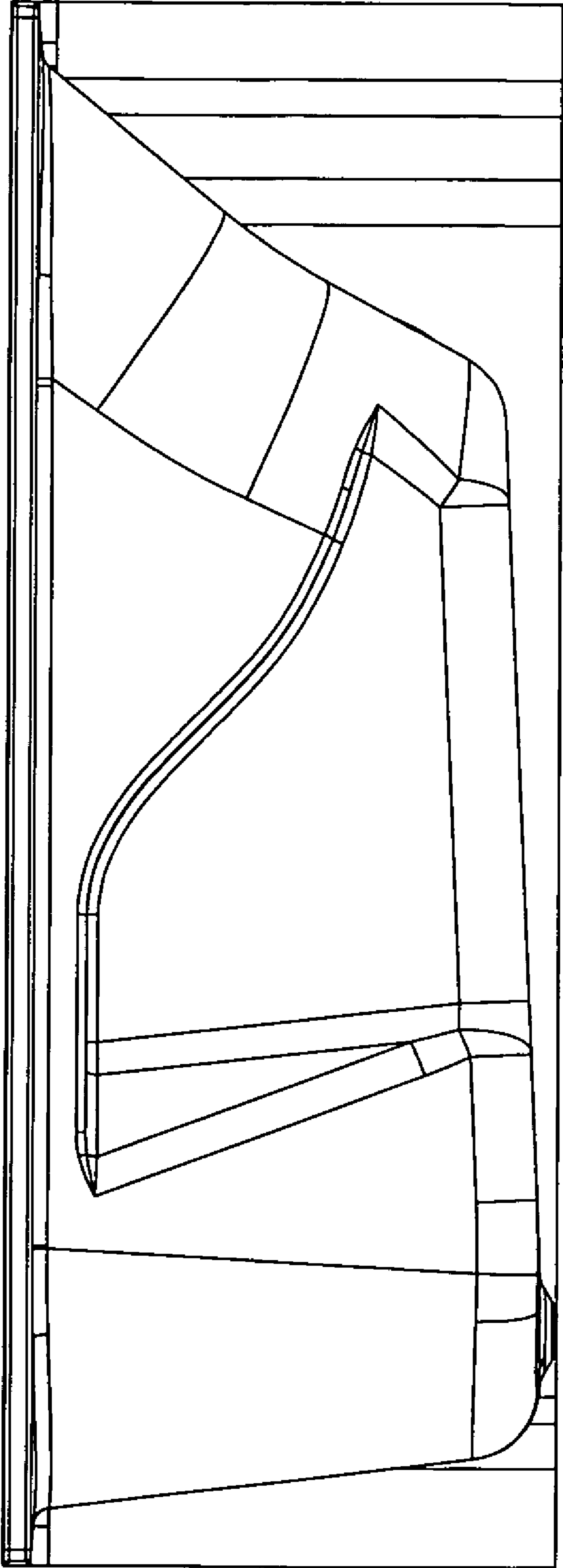


FIG. 3

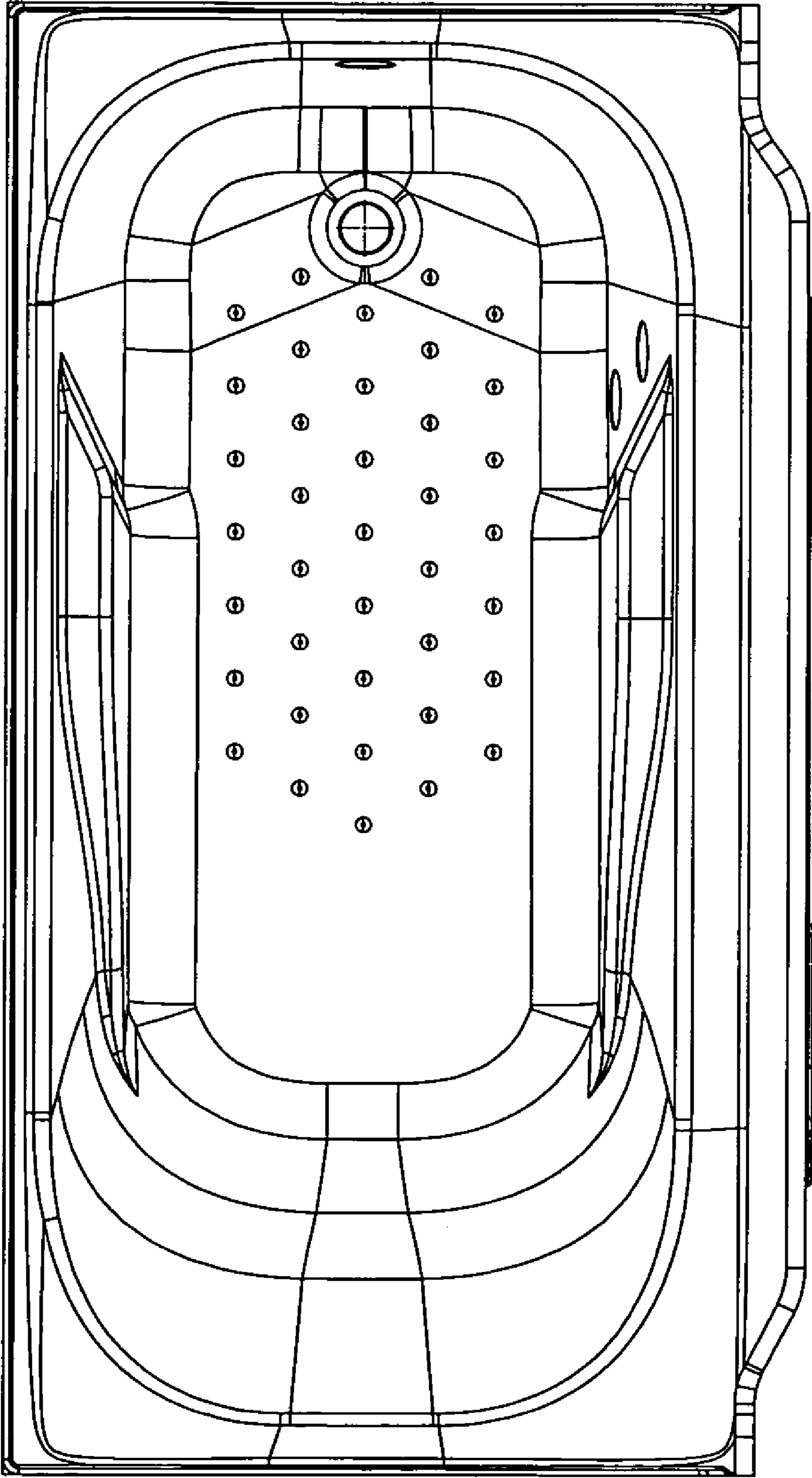


FIG. 4

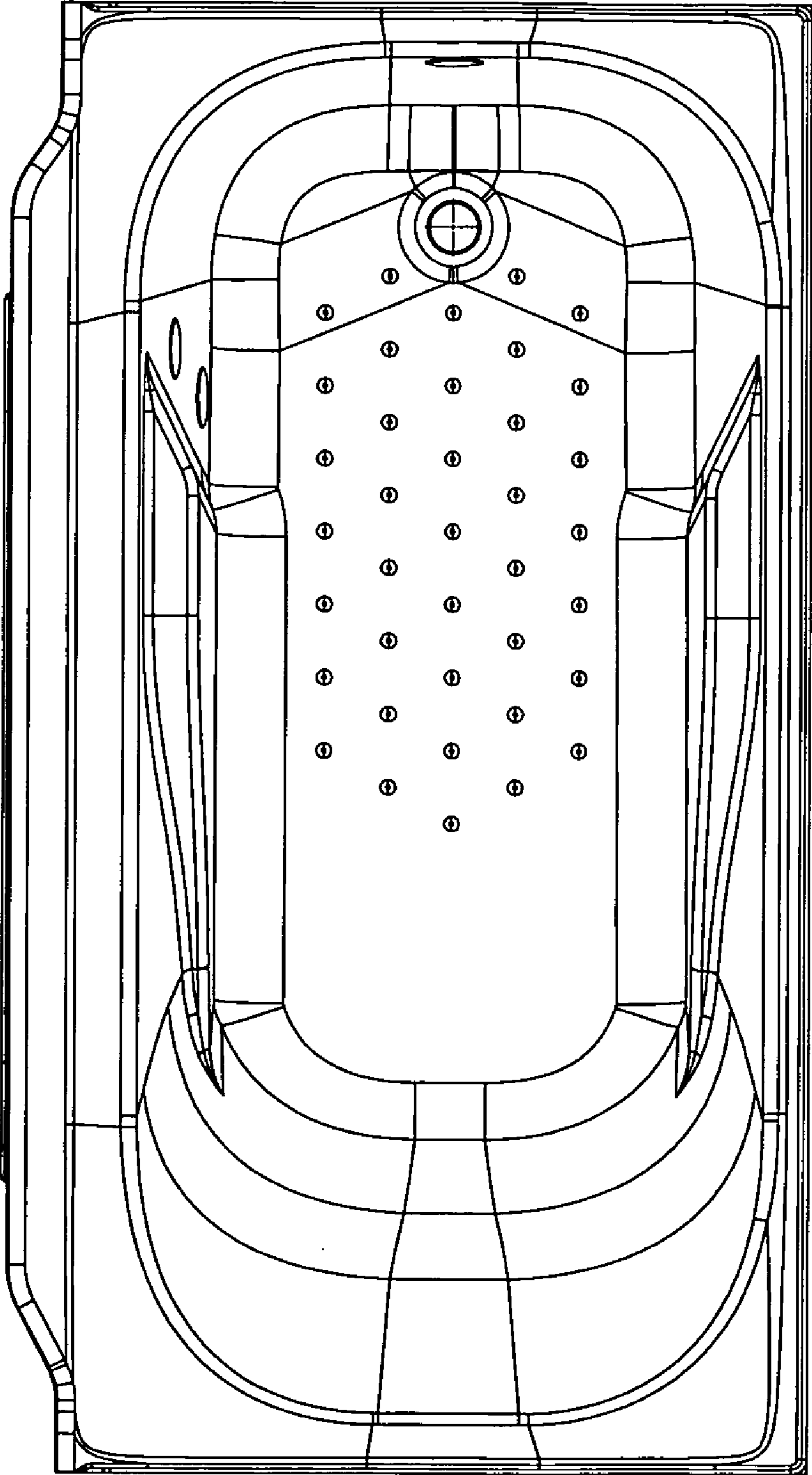


FIG. 5

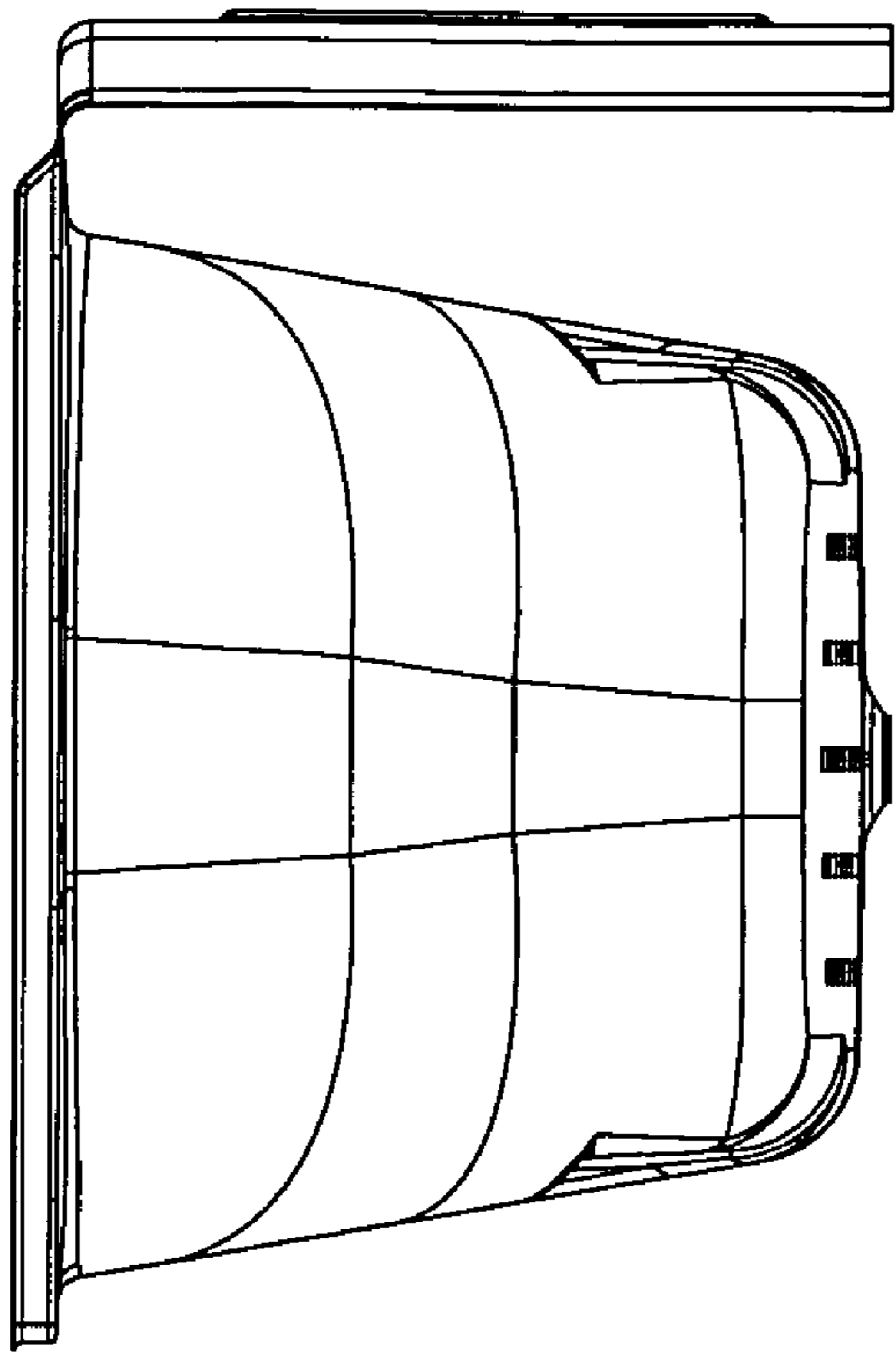


FIG. 6

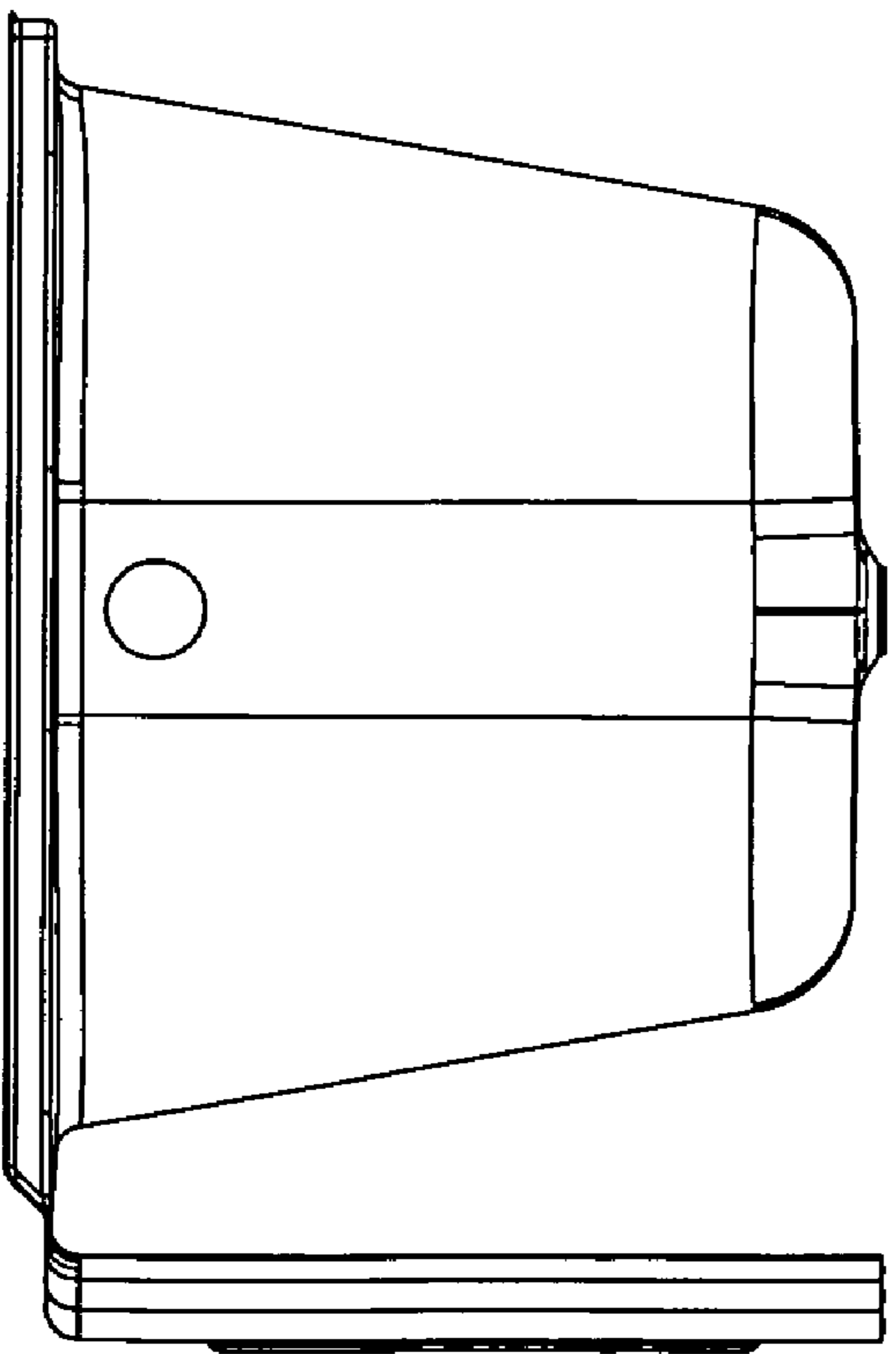


FIG. 7