



US00D635225S

(12) **United States Design Patent**
Collins

(10) **Patent No.:** **US D635,225 S**
(45) **Date of Patent:** **** Mar. 29, 2011**

(54) **GUTTER GUARD**

(76) Inventor: **Ken M. Collins**, Warsaw, IN (US)

(**) Term: **14 Years**

(21) Appl. No.: **29/336,003**

(22) Filed: **Apr. 27, 2009**

(51) **LOC (9) Cl.** **23-01**

(52) **U.S. Cl.** **D23/267**

(58) **Field of Classification Search** D23/259–269;
52/11–12, 73.21, 302.3; 248/48.1–48.2
See application file for complete search history.

(56) **References Cited**

U.S. PATENT DOCUMENTS

1,349,264	A *	8/1920	Busse	210/474
3,388,555	A	6/1968	Foster		
3,834,091	A *	9/1974	Dugan	52/12
4,351,134	A *	9/1982	Clarkson	52/12
4,418,504	A	12/1983	Lassiter		
4,745,710	A *	5/1988	Davis	52/12
D310,259	S *	8/1990	Hitchins	D23/267
5,181,350	A *	1/1993	Meckstroth	52/12
5,305,562	A	4/1994	Sapia		
5,619,825	A *	4/1997	Leroney et al.	52/12
5,640,809	A	6/1997	Iannelli		
5,813,173	A *	9/1998	Way, Sr.	52/12
D410,530	S *	6/1999	Turner	D23/267
D416,079	S	11/1999	Hallett, II		
D417,264	S *	11/1999	Beth	D23/261
6,016,631	A	1/2000	Lowrie, III		
D470,926	S *	2/2003	Knight	D23/267
6,904,718	B2	6/2005	Fox		
6,932,911	B1 *	8/2005	Groth et al.	210/747
6,944,991	B2 *	9/2005	Kim	52/11
6,968,651	B2	11/2005	Bergeron		
7,104,011	B1	9/2006	Knight		
D558,309	S *	12/2007	Gregg	D23/267
D559,957	S *	1/2008	Rasmussen	D23/267
D615,632	S *	5/2010	Wootton	D23/267

D621,481	S *	8/2010	Wootton	D23/261
D621,484	S *	8/2010	Wootton	D23/267
2003/0009951	A1	1/2003	Bergeron		
2003/0046876	A1 *	3/2003	Higginbotham	52/11
2004/0244302	A1 *	12/2004	Neumann	52/11
2005/0257432	A1 *	11/2005	Higginbotham	52/12
2006/0107603	A1 *	5/2006	Brownridge	52/11

OTHER PUBLICATIONS

Web page illustration and photo from web site illustrating high flow gutter guard; GutterSupply.com; Chicago, IL; May 7, 2008.

Web page illustration and photo from web site illustrating gutter shutter system; The Gutter Shutter Co.; www.guttershutter.com; May 7, 2008.

Web page illustration and photo from web site illustrating pine needle gutter guard; American Supply, Monticello, Iowa; May 7, 2008.

Web page illustration and photo from web site illustrating Waterloo; Yost Manufacturing & Supply, Inc.; May 7, 2008.

Web page illustration and photo from web site illustrating gutter tunnel; Englert, Inc.; www.nextdaygutter.com; Maryland, USA; May 7, 2008.

* cited by examiner

Primary Examiner — T. Chase Nelson

Assistant Examiner — Eric L Goodman

(74) *Attorney, Agent, or Firm* — Botkin & Hall, LLP

(57) **CLAIM**

The ornamental design for a gutter guard, as shown and described.

DESCRIPTION

FIG. 1 is a perspective view of a gutter guard showing my new design;

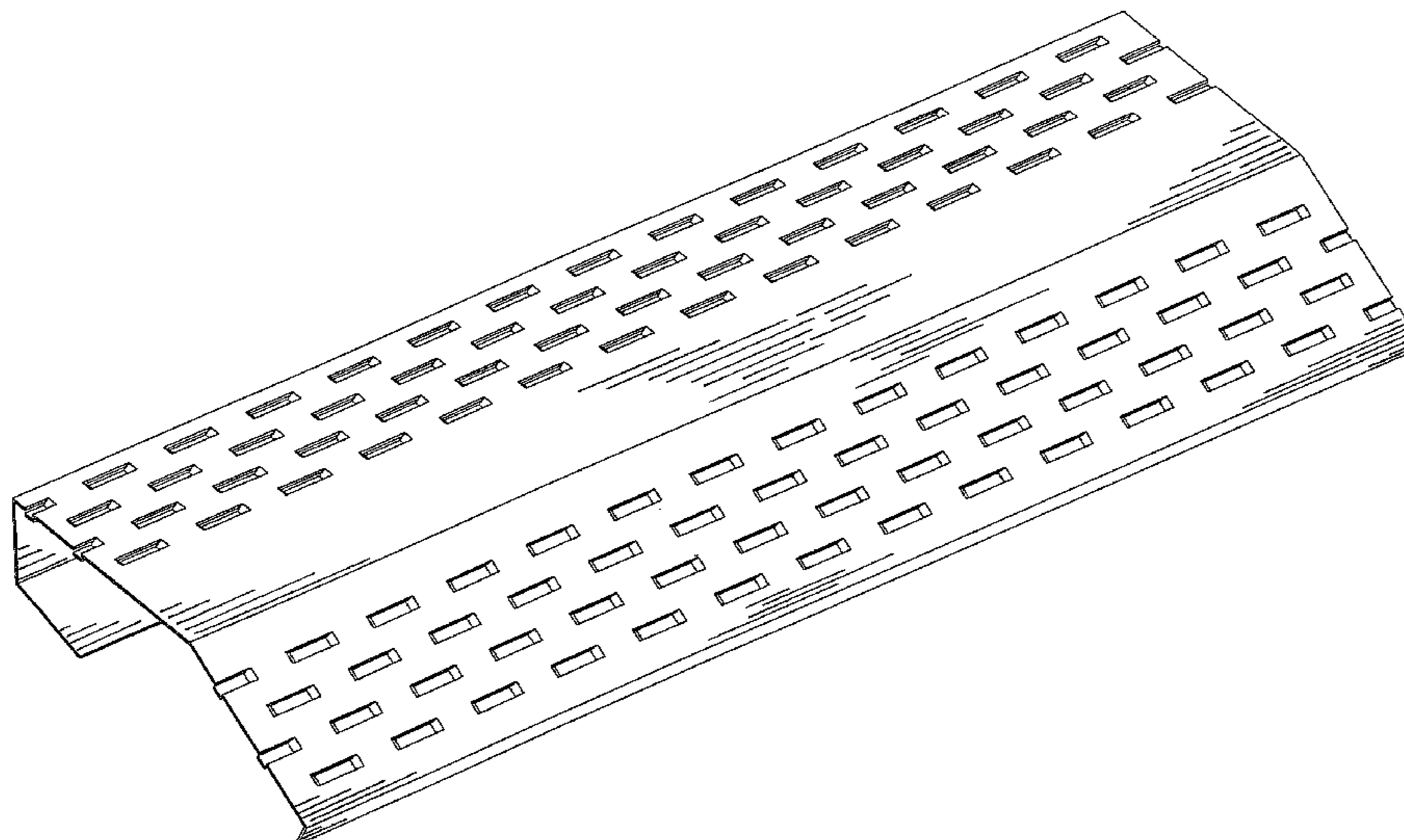
FIG. 2 is a top view of the design of FIG. 1;

FIG. 3 is an end view of the design of FIG. 1;

FIG. 4 is a side view of the design of FIG. 1; and,

FIG. 5 is another side view of the design of FIG. 1.

1 Claim, 3 Drawing Sheets



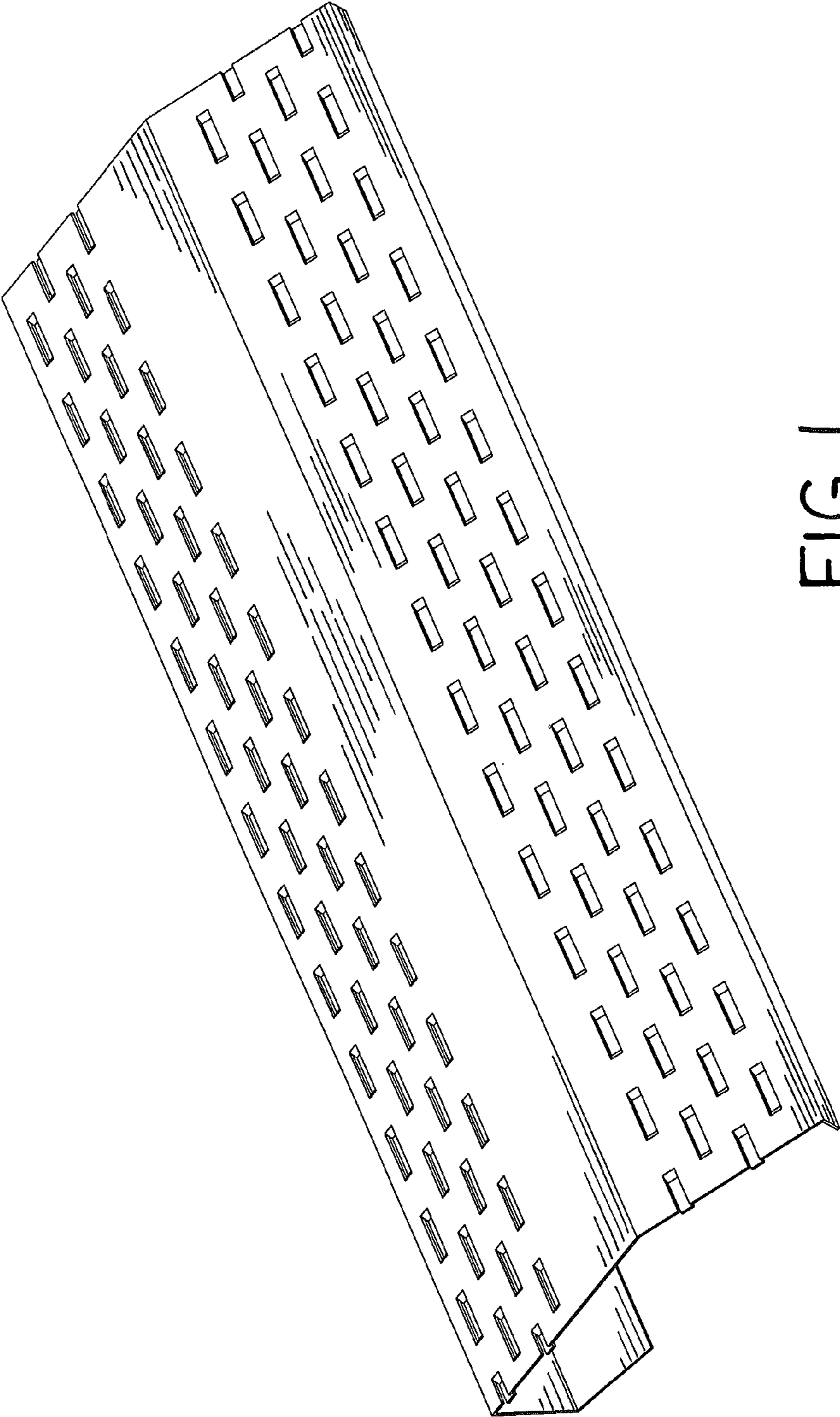


FIG. 1

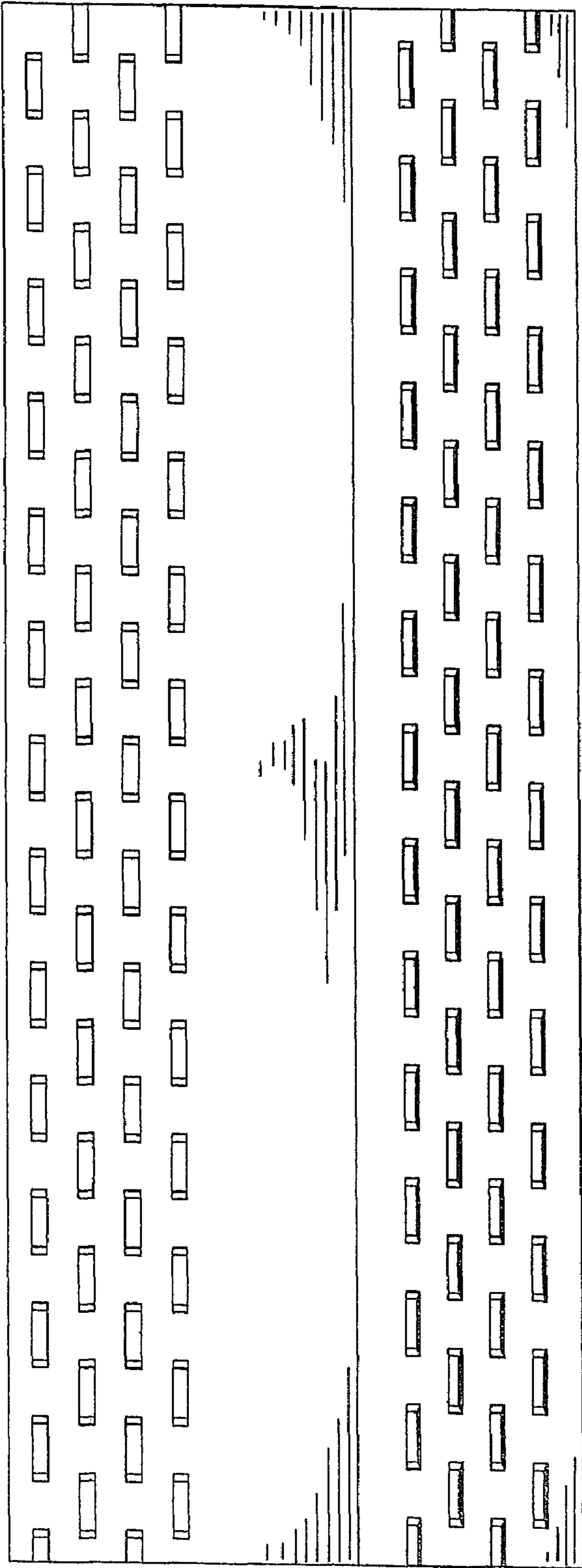


FIG. 2

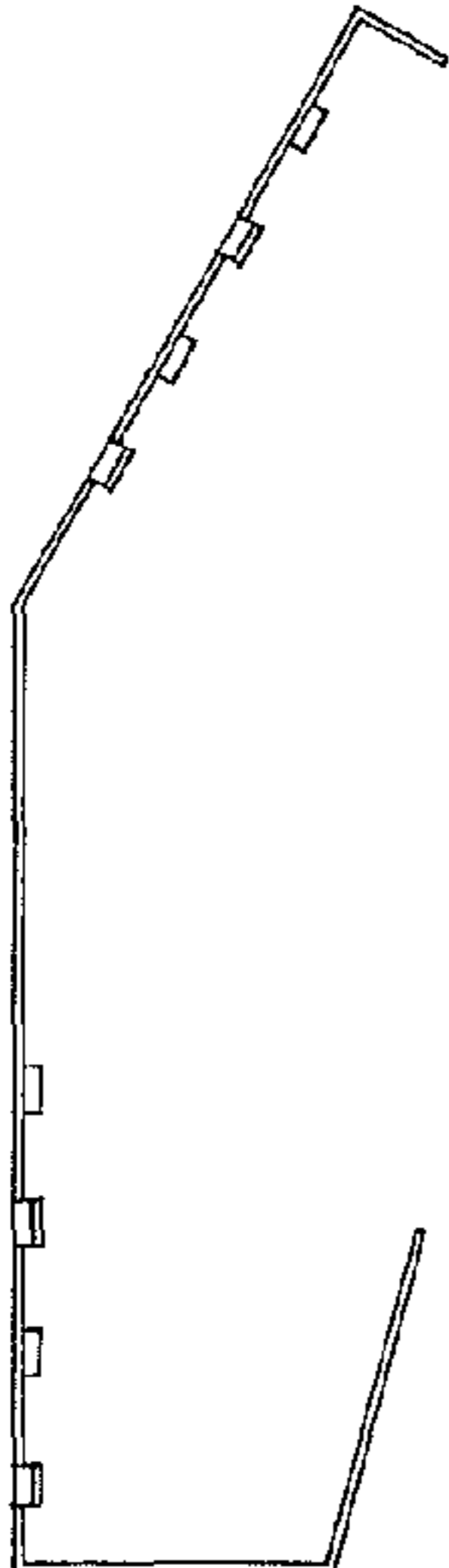


FIG. 3

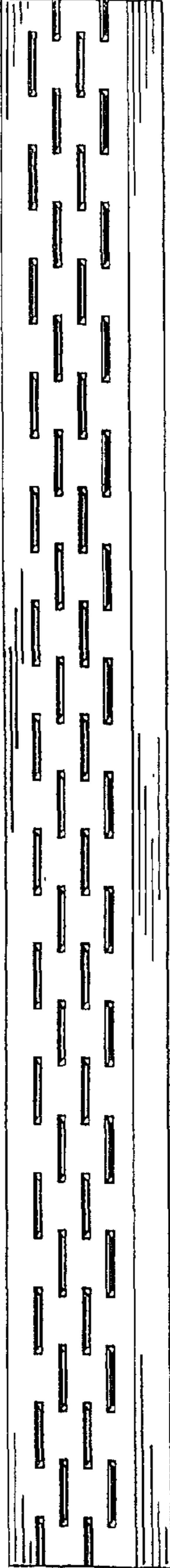


FIG. 4

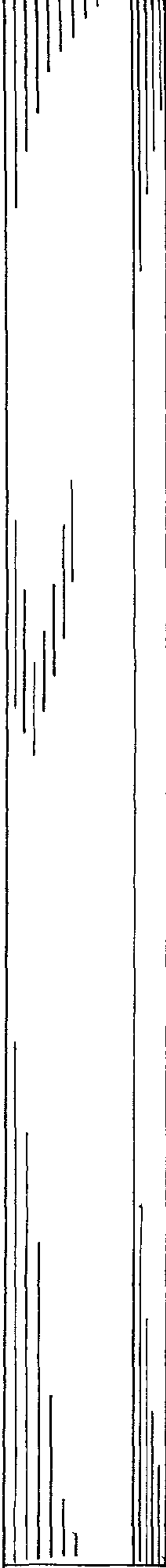


FIG. 5