



US00D635223S

(12) **United States Design Patent**
Sandee et al.

(10) **Patent No.:** **US D635,223 S**
(45) **Date of Patent:** **** Mar. 29, 2011**

(54) **PLUMBING CONTROL**

(75) Inventors: **Coralee S. Sandee**, Sheboygan, WI (US); **Howard M. Montgomery**, Skokie, IL (US)

(73) Assignee: **Kohler Co.**, Kohler, WI (US)

(**) Term: **14 Years**

(21) Appl. No.: **29/354,791**

(22) Filed: **Jan. 28, 2010**

(51) **LOC (9) Cl.** **23-01**

(52) **U.S. Cl.** **D23/250**

(58) **Field of Classification Search** D23/238-243,
D23/250, 252, 254; 4/676; 137/801

See application file for complete search history.

(56) **References Cited**

U.S. PATENT DOCUMENTS

| | | | |
|--------------|---------|-------------------|---------|
| D290,869 S | 7/1987 | Paul et al. | |
| D316,591 S | 4/1991 | Ragonot | |
| D478,966 S | 8/2003 | Citterio | |
| D495,780 S * | 9/2004 | Aubry et al. | D23/252 |
| D503,217 S | 3/2005 | Aubry et al. | |
| D512,484 S | 12/2005 | Paini | |
| D522,092 S | 5/2006 | Hoernig | |
| D557,383 S | 12/2007 | Garner | |
| D568,967 S | 5/2008 | Williams et al. | |
| D573,231 S | 7/2008 | Kulig | |
| D579,521 S | 10/2008 | Kulig | |
| D583,905 S | 12/2008 | Oh | |
| D596,711 S | 7/2009 | Sieger | |
| D602,121 S | 10/2009 | Yabe et al. | |
| D605,256 S | 12/2009 | Flowers et al. | |
| D611,575 S | 3/2010 | Schoenherr et al. | |
| D615,162 S | 5/2010 | Pan | |
| D617,424 S * | 6/2010 | Hanna | D23/252 |

OTHER PUBLICATIONS

Colourwash.co.uk. "Tango Taps". Colourwash.co.uk catalog.
Toto. "Soiree Single-Handle Lavatory Faucet". Model No. TL960SD. FixtureUniverse.com online catalog. Copyright 1999-2008 Allied Trade Group, Inc.

Dornbracht. "Lot" Series. Dornbracht catalog.
Hastings Bath Collection. "Riviera 3 Hole Basin Set—Ribbon Spout". Model No. FAN C 4204. HomePortfolio.com online catalog. Copyright 1997-2008 HomePortfolio Inc.
SignatureHardware. "Whittington Collection—Flat Cubic Roman Tub Faucet". SignatureHardware.com online catalog. Copyright 1999-2008 SignatureHardware.com or its affiliates.
Oversized replica of computer gaming joystick.
WS Bath Collections. "Hydrus 01-02—Basin (deck) Faucet—solid massive stainless steel". HomePortfolio.com online catalog. Copyright 1997-2008 HomePortfolio Inc.
Danze. "Sirius Two Handle Lavatory Faucet". Model No. D301444. HomePortfolio.com online catalog. Copyright 1997-2008 HomePortfolio Inc.
Notice of Allowance, mailed Feb. 17, 2010 for U.S. Appl. No. 29/343,608, filed Jan. 25, 2010.

(Continued)

Primary Examiner — Robert A Delehanty
(74) *Attorney, Agent, or Firm* — Quarles & Brady LLP

(57) **CLAIM**

The ornamental design for a plumbing control, as shown and described.

DESCRIPTION

In a preferred embodiment, the nature of this product is as a plumbing fitting in the form of a bath, shower and/or faucet control.

FIG. 1 is a right, top, front perspective view of a plumbing control according to our new design;

FIG. 2 is a right side elevational view thereof, the left side elevational view thereof being a mirror image of the right side shown;

FIG. 3 is a front elevational view thereof;

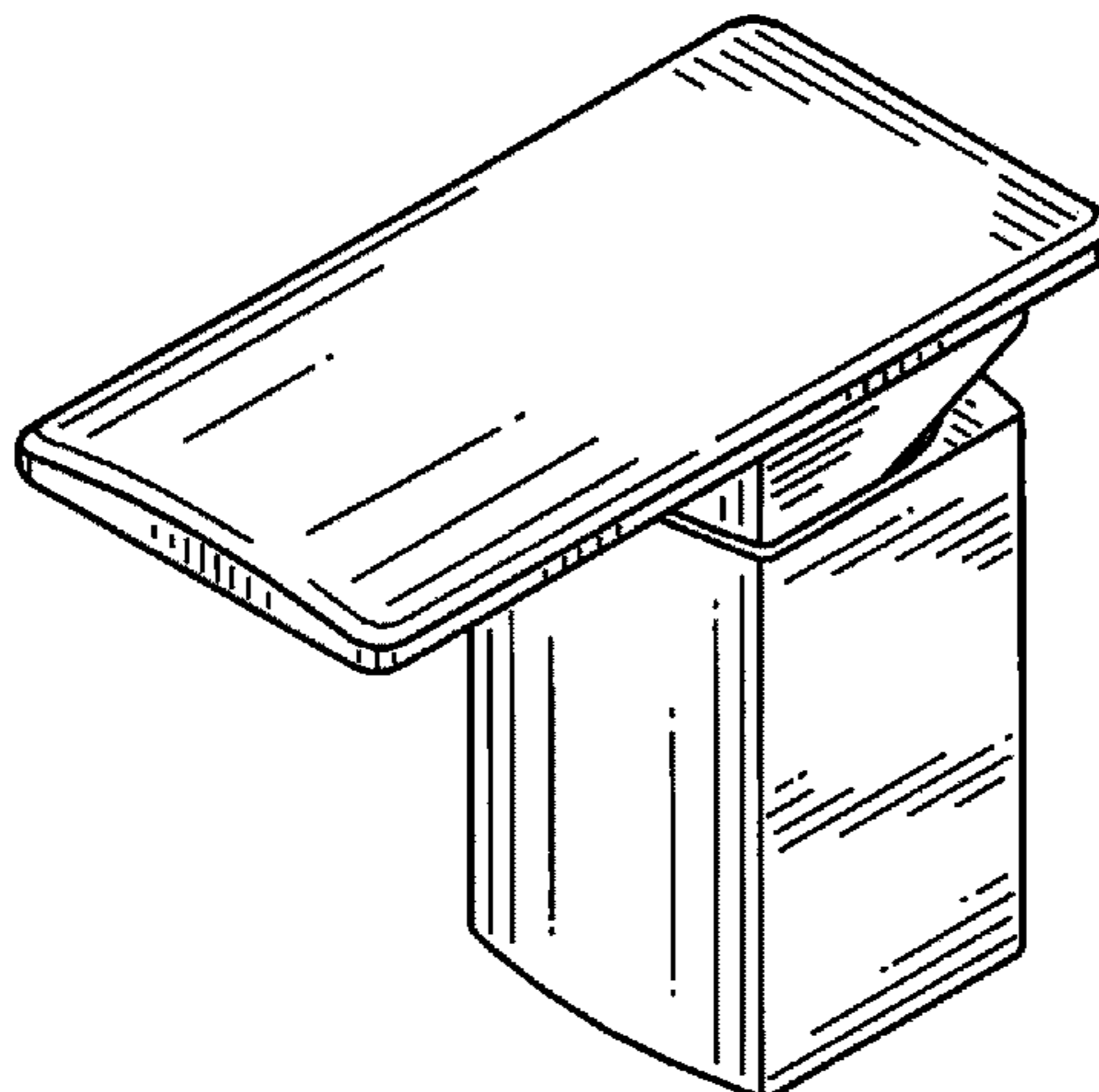
FIG. 4 is a rear elevational view thereof;

FIG. 5 is a top plan view thereof; and,

FIG. 6 is a bottom plan view thereof.

The broken line representations in the figures are for the purpose of illustration only, and form no part of the claimed design.

1 Claim, 2 Drawing Sheets



OTHER PUBLICATIONS

Notice of Allowance, mailed Feb. 17, 2010 for U.S. Appl. No. 29/354,484, filed Jan. 25, 2010.

Zucchetti. "Soft" and "Wosh" faucets.

Kohler Co. "Margaux® single-control lavatory faucet". Model No. K-16230-4. Kohler Co. online catalog. Copyright 2008.

Hansgrohe. "Hansgrohe Freestanding Tub Filler." Model No.

39451001. eFaucets.com online catalog. Copyright 2003-2008 eImprovement.com.

Notice of Allowance for U.S. Appl. No. 29/351,340, dated Jun. 23, 2010.

Notice of Allowance for U.S. Appl. No. 29/346,309, dated Jun. 16, 2010.

* cited by examiner

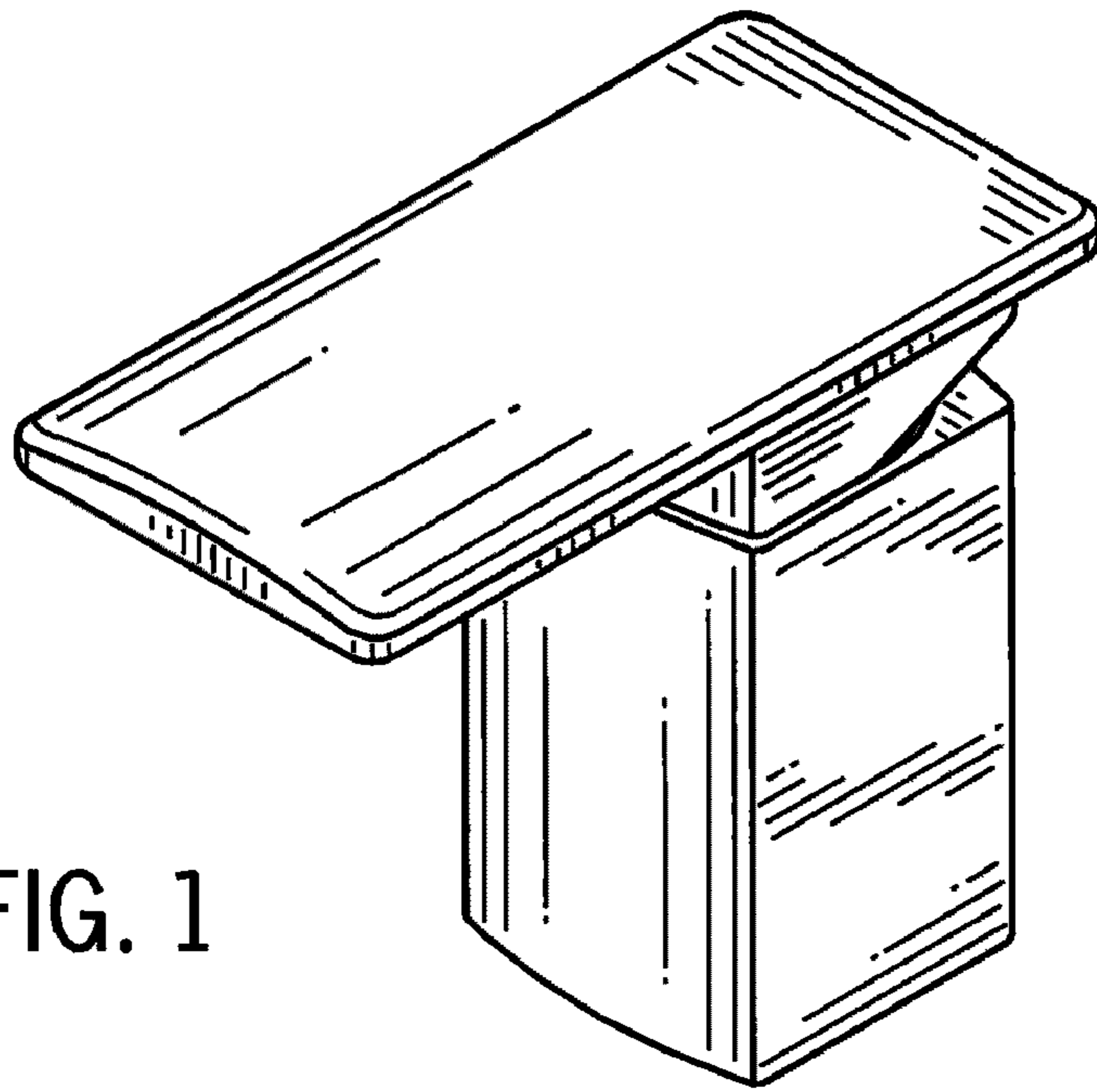


FIG. 1

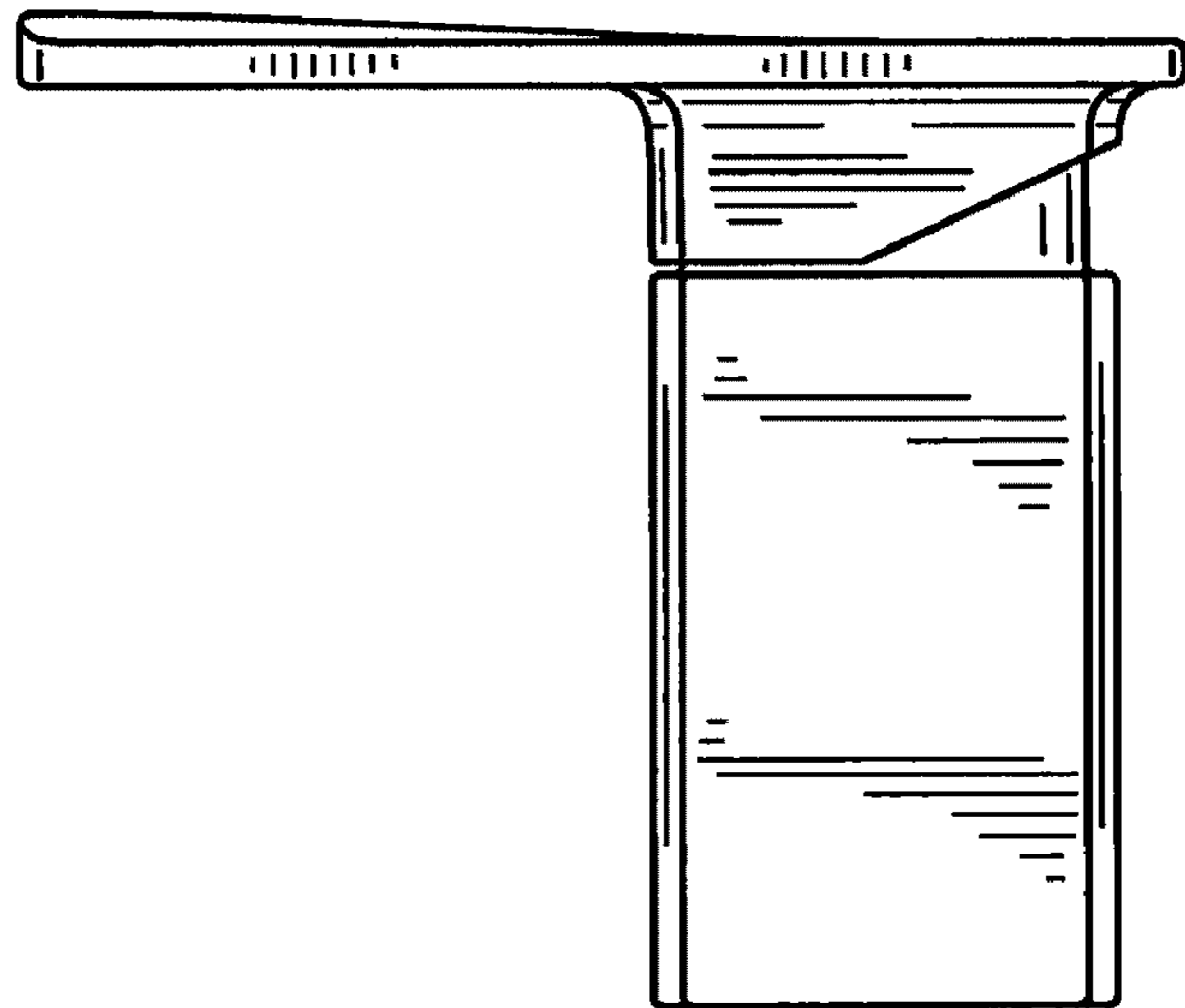


FIG. 2

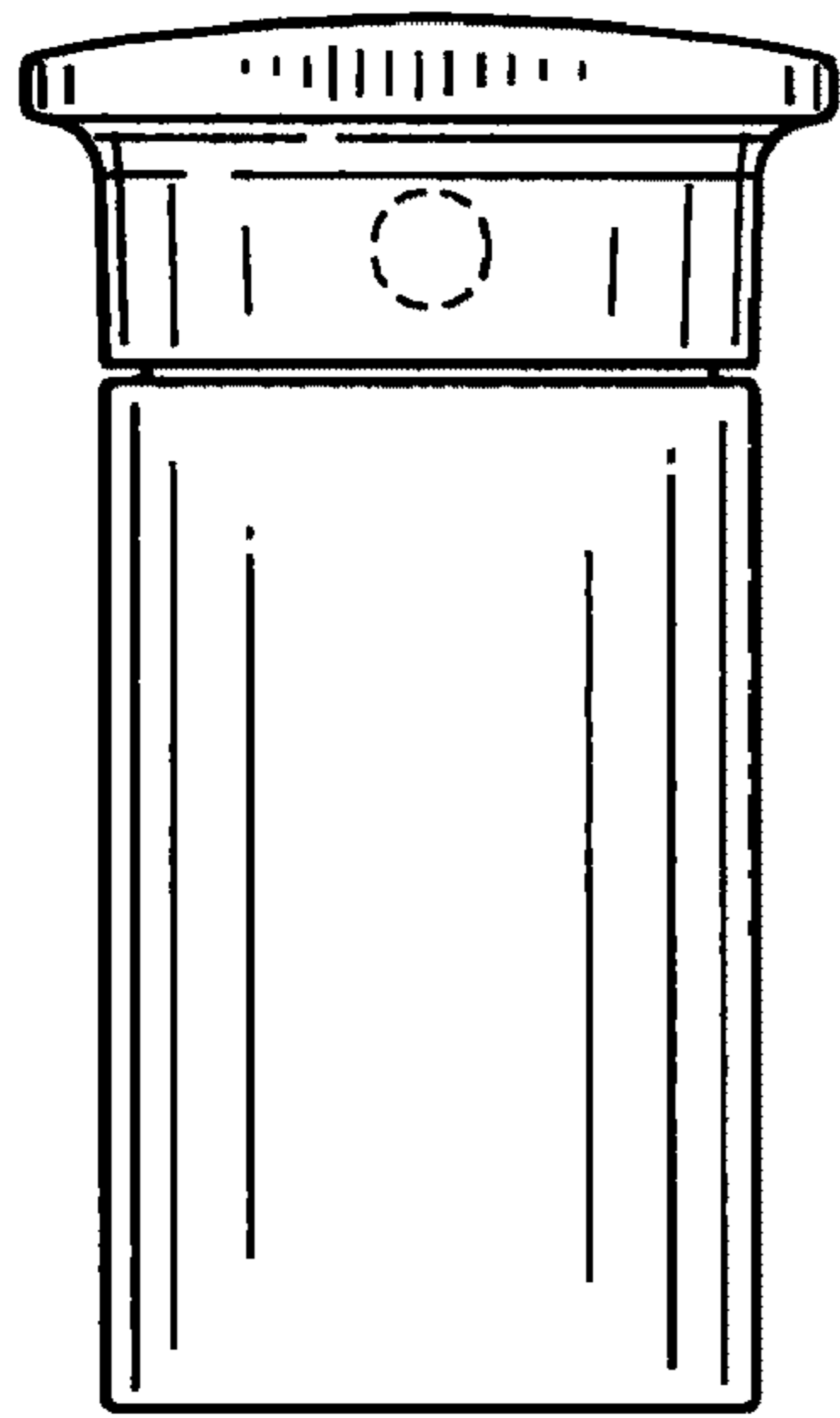


FIG. 3

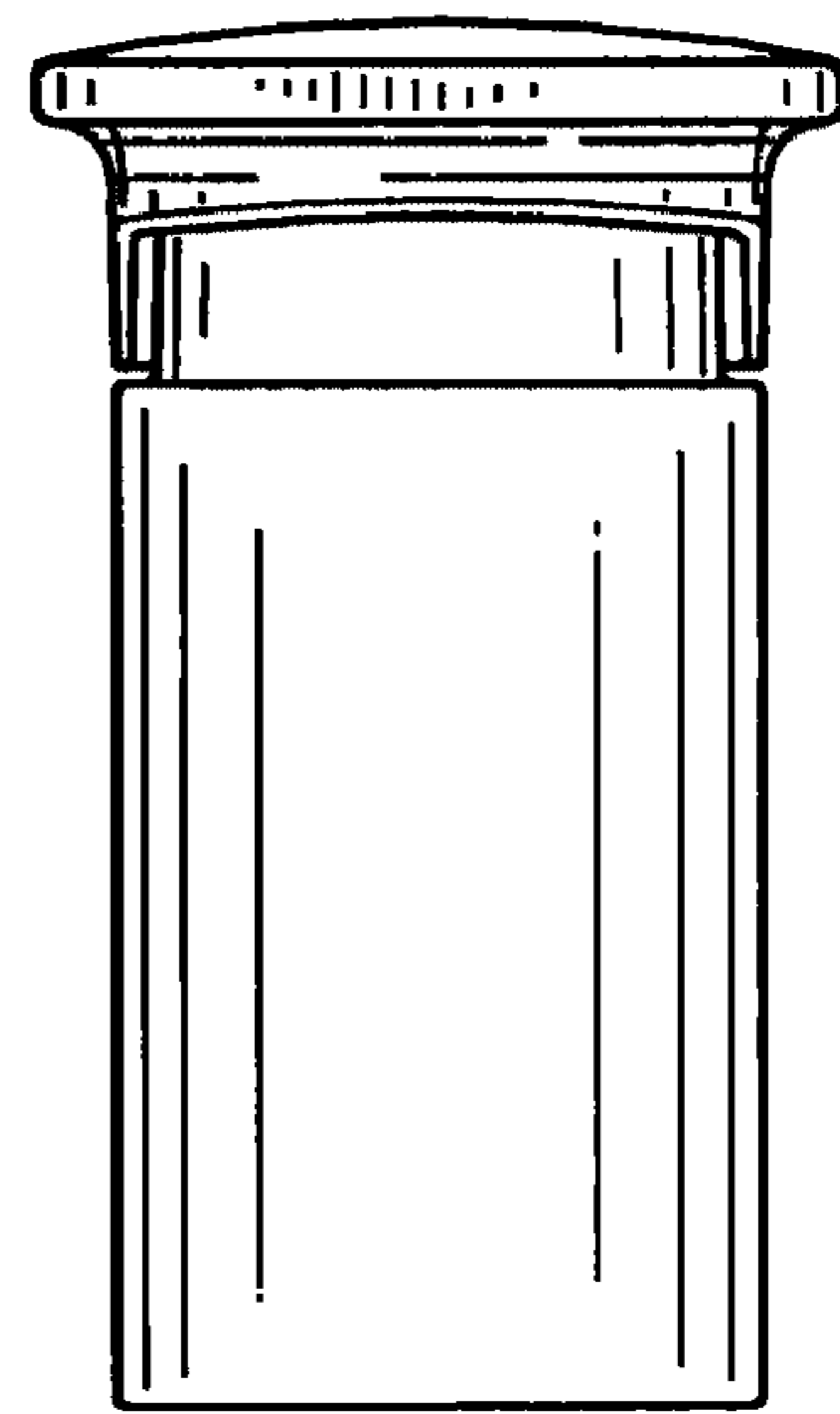


FIG. 4

FIG. 5

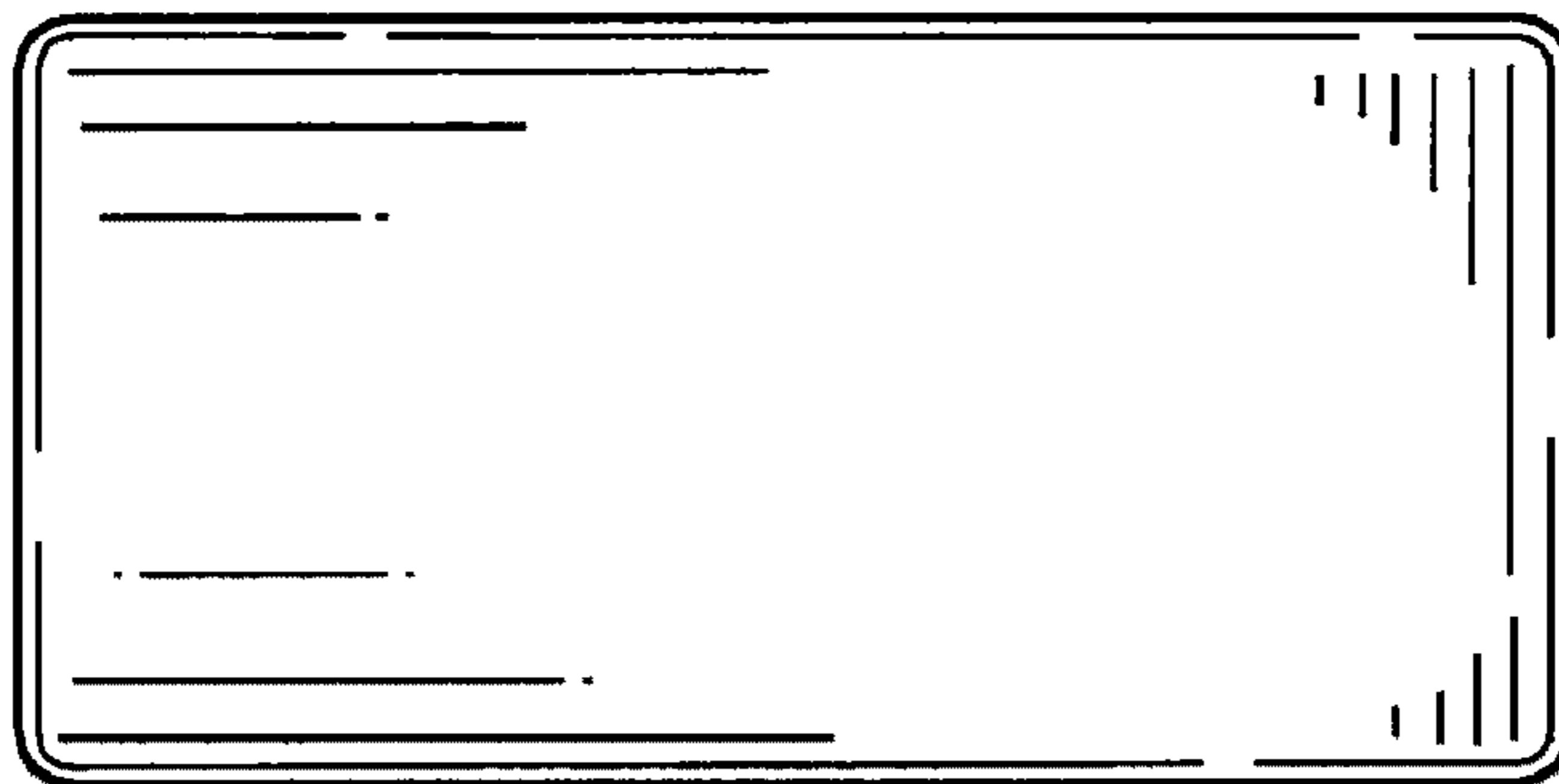


FIG. 6

