

US00D635221S

(12) **United States Design Patent**
Rubin et al.

(10) **Patent No.:** **US D635,221 S**
(45) **Date of Patent:** **** Mar. 29, 2011**

(54) **FAUCET**

(75) Inventors: **Leila M. Rubin**, Sheboygan, WI (US);
Herbert V. Kohler, Jr., Kohler, WI (US)

(73) Assignee: **Kohler Co.**, Kohler, WI (US)

(**) Term: **14 Years**

(21) Appl. No.: **29/357,843**

(22) Filed: **Mar. 18, 2010**

(51) **LOC (9) Cl.** **23-01**

(52) **U.S. Cl.** **D23/238**

(58) **Field of Classification Search** D23/238,
D23/242-243, 250, 252-254, 255, 257; 4/675-678;
137/801

See application file for complete search history.

(56) **References Cited**

U.S. PATENT DOCUMENTS

D510,126 S *	9/2005	Ouyoung	D23/238
D564,634 S *	3/2008	Kirar	D23/250
D567,908 S *	4/2008	Semchuck et al.	D23/238
D570,960 S *	6/2008	Semchuck et al.	D23/238
D585,960 S *	2/2009	Ko	D23/238
D618,765 S *	6/2010	Wang	D23/238

OTHER PUBLICATIONS

Applicant's Exhibit 1: Blanco Blancopurus I Model No. 157-097-CR;
<http://www.homeportfolio.com/catalog/Product.jhtml?prodid=211668&listGridPref=grid;> HomePortfolio.com
online catalog; Copyright © 1997-2009 HomePortfolio Inc.

Applicant's Exhibit 2a; "Kohler Co. Evoke™ single-control kitchen faucet; Model No. K-6331", <http://www.us.kohler.com/onlinecatalog/detail.jsp?item=12806602§ion=1&category-4&subcategory=>; Kohler.com online catalog; Copyright 2009 Kohler Co.

Applicant's Exhibit 2b.

Applicant's Exhibit 3; Taboret LX.

Applicant's Exhibit 4; "Elkay Ella™ Pull-Down Kitchen Faucet with Side Spray, Model LK7722", <http://www.faucetuniverse.com/PullOutFaucet/Ella-Pull-Down-Kitchen-Faucet-with-2911113.html>; FaucetUniverse.com online catalog © 1999-2009 *Allied Trade Group, Inc.*

* cited by examiner

Primary Examiner — Robert A Delehanty

(74) *Attorney, Agent, or Firm* — Foley & Lardner LLP

(57) **CLAIM**

The ornamental design for a faucet, as shown and described.

DESCRIPTION

FIG. 1 is a perspective view of the front, top, and right side of a faucet embodying our new design;

FIG. 2 is a front elevational view thereof;

FIG. 3 is a right side elevational view thereof;

FIG. 4 is a rear elevational view thereof;

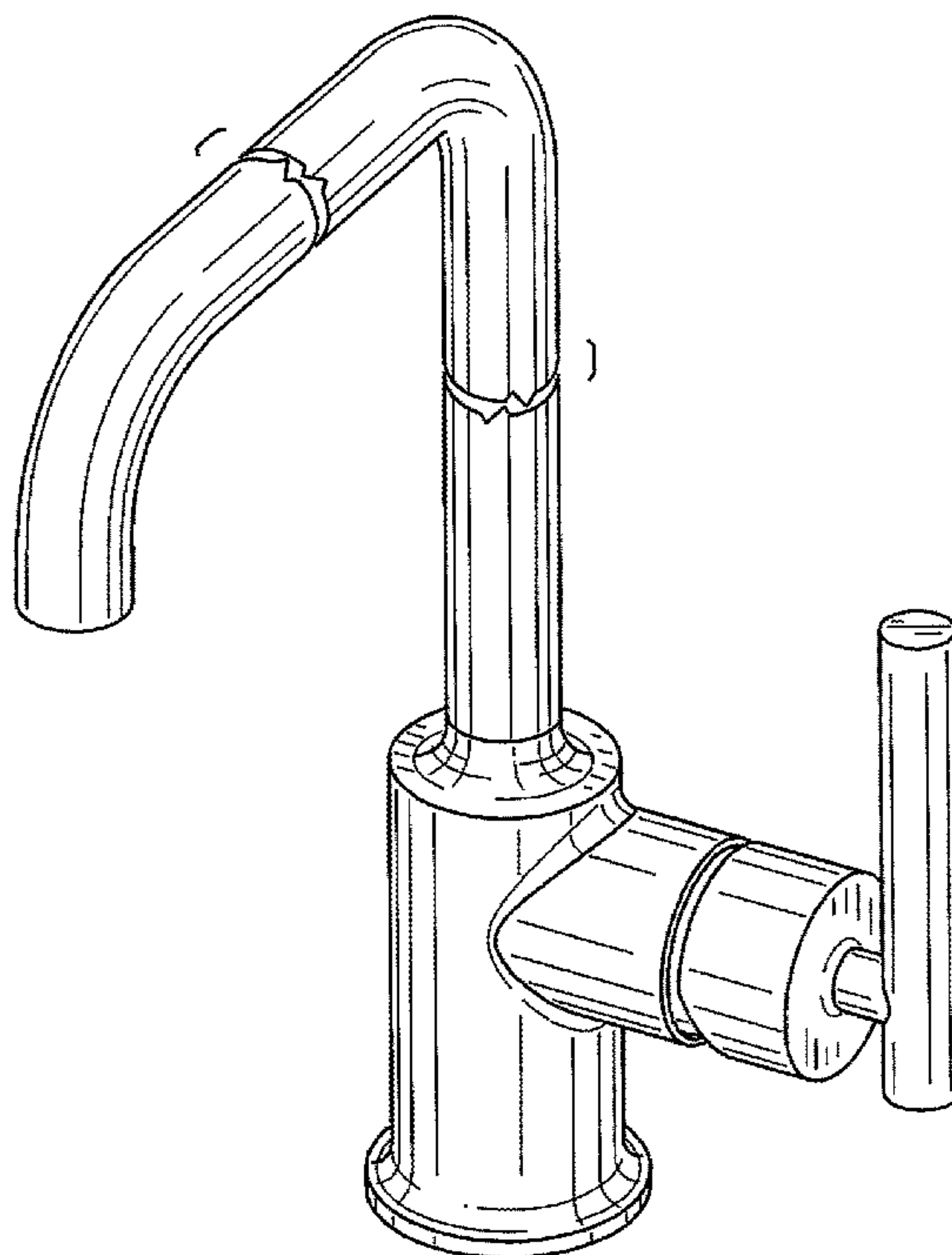
FIG. 5 is a left side elevational view thereof;

FIG. 6 is a top plan view thereof; and,

FIG. 7 is a bottom plan view thereof.

The broken lines in the drawings form no part of the claimed design. The separation and bracket in the spout portions of the faucet indicates spout portions of indeterminate length, the precise lengths of the spout portions not being claimed.

1 Claim, 6 Drawing Sheets



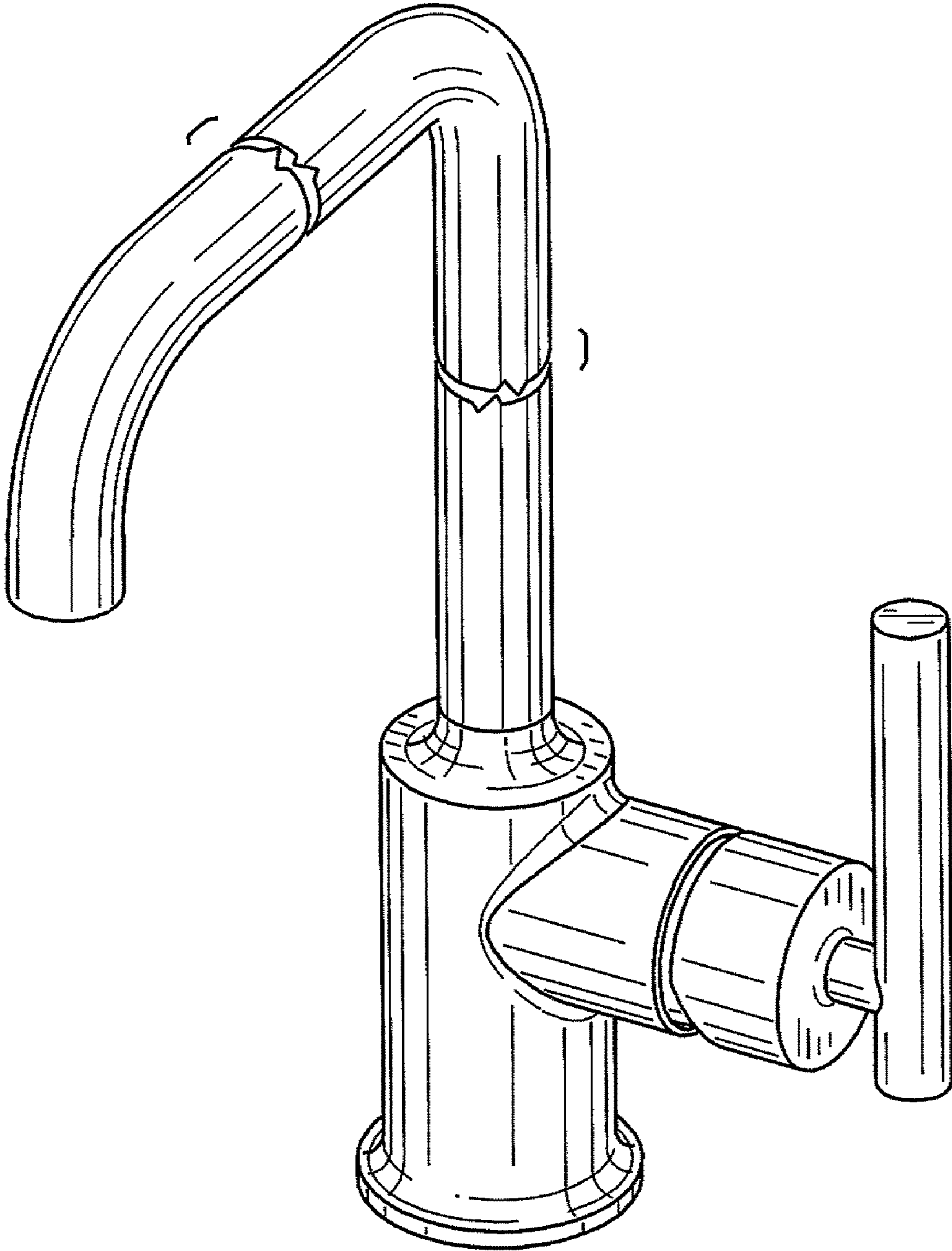


FIG. 1

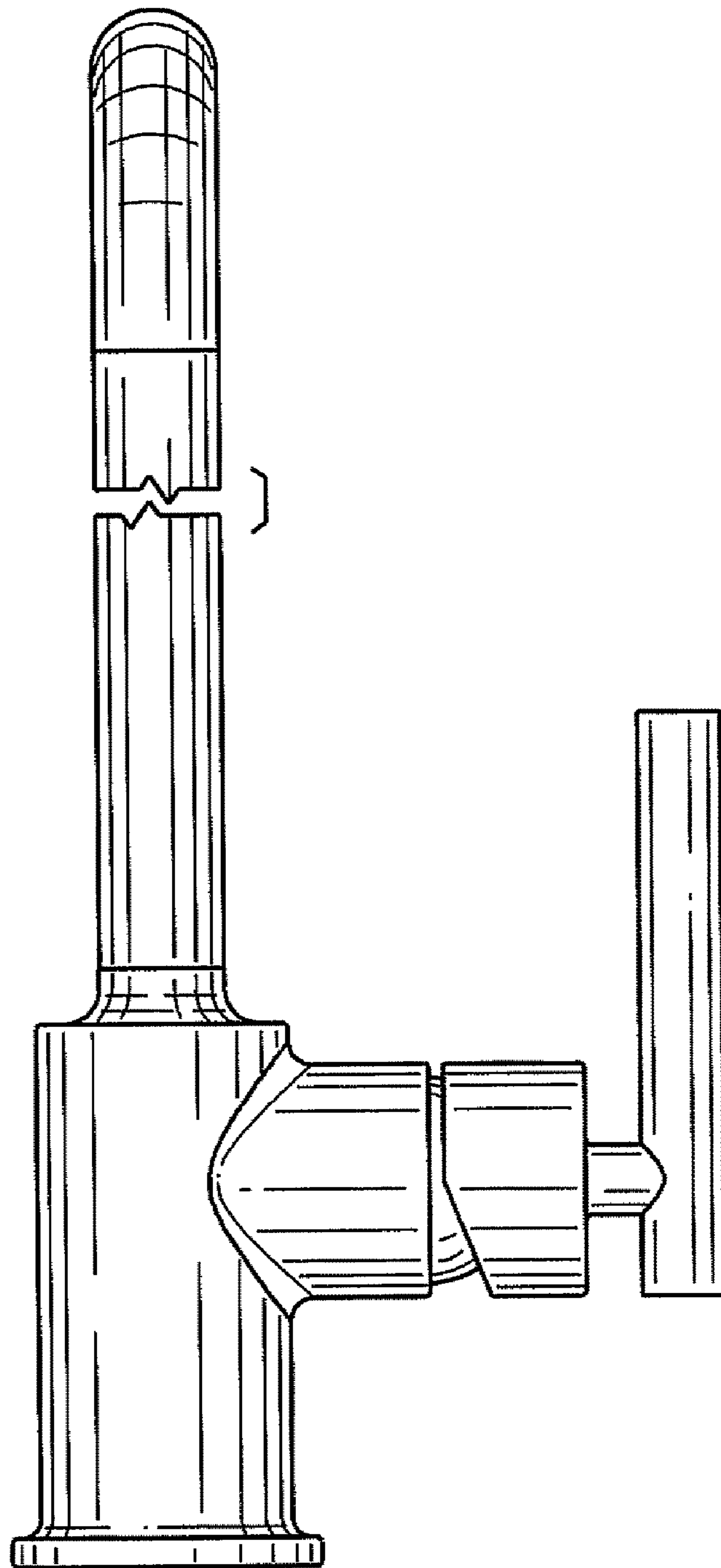


FIG. 2

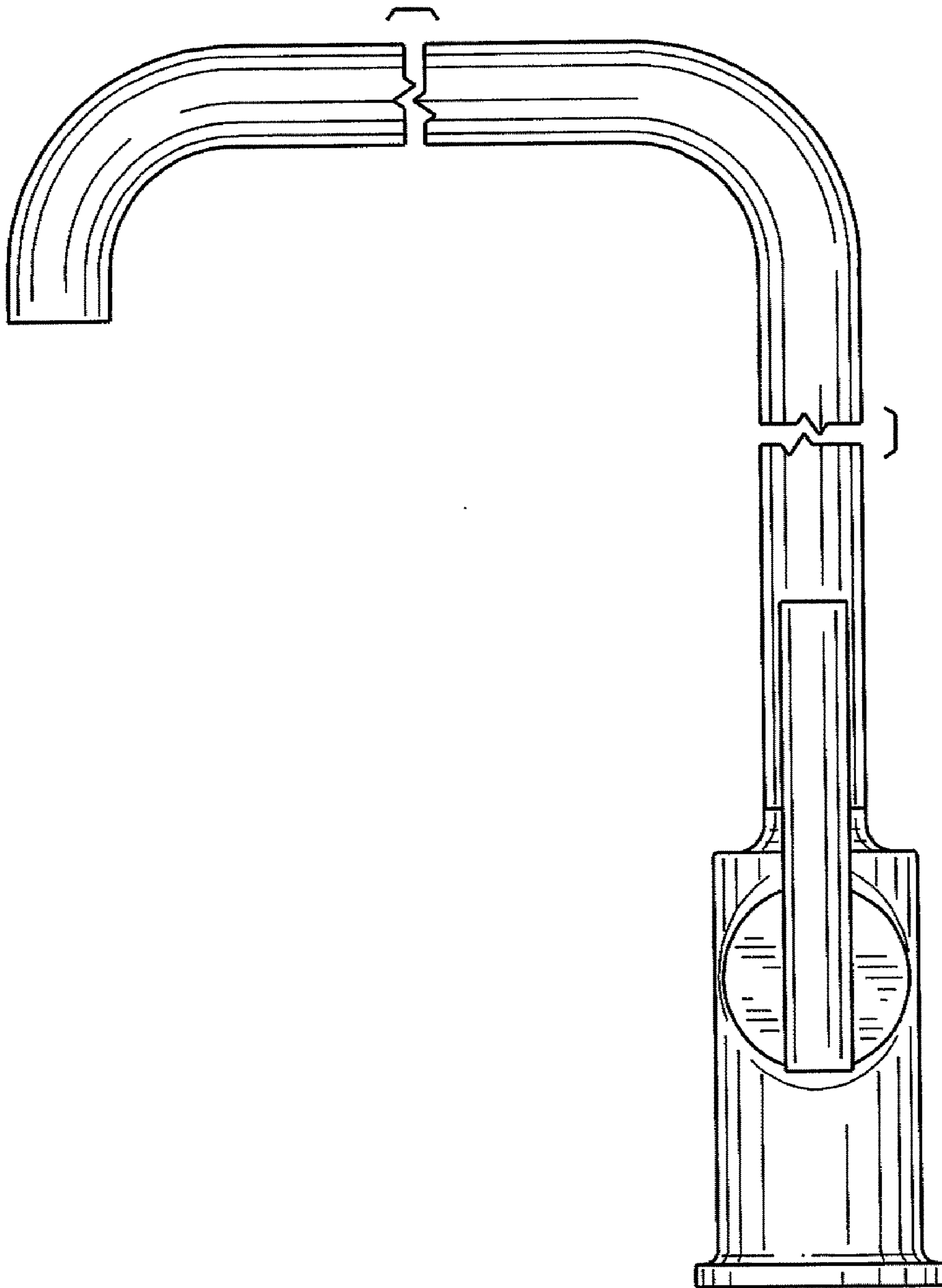


FIG. 3

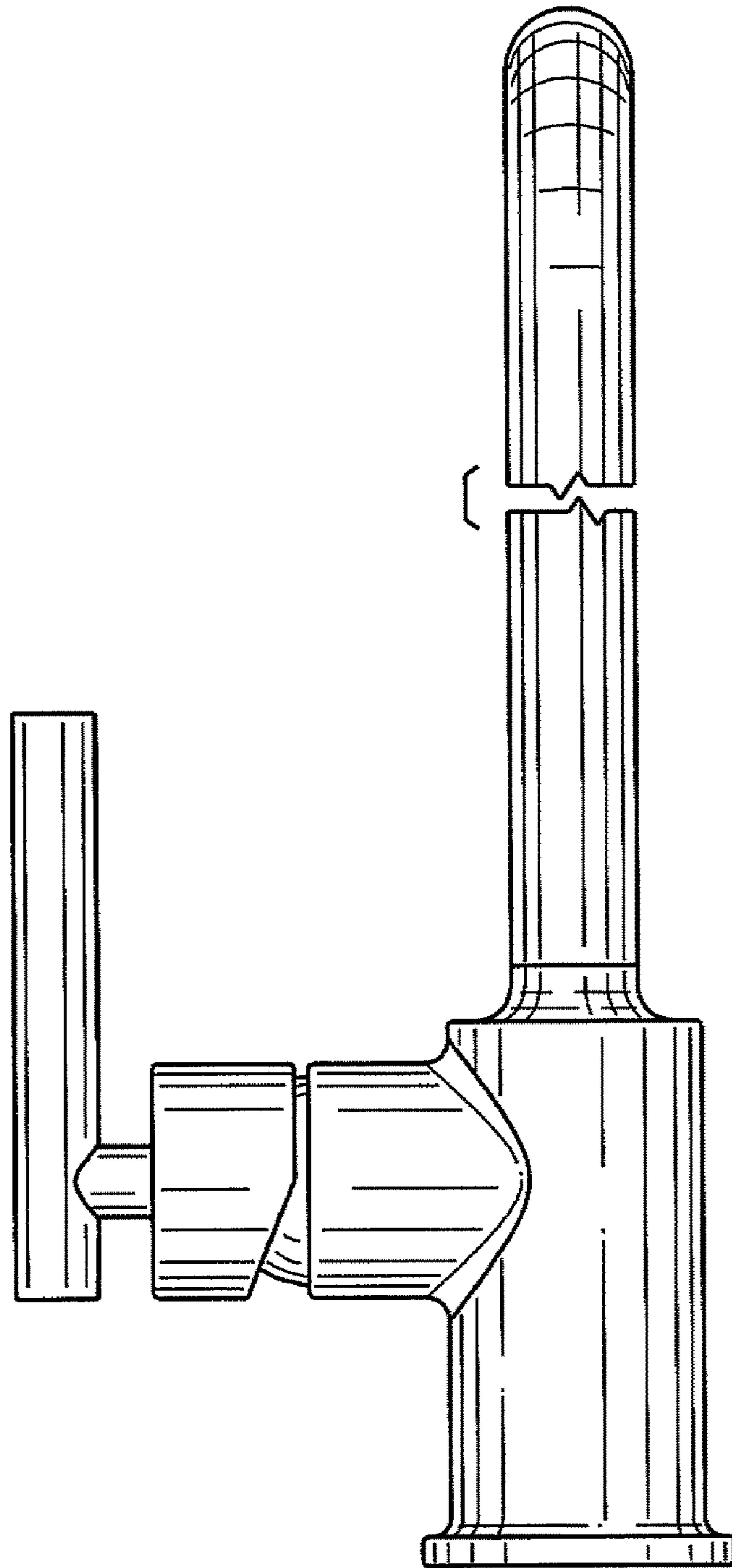


FIG. 4

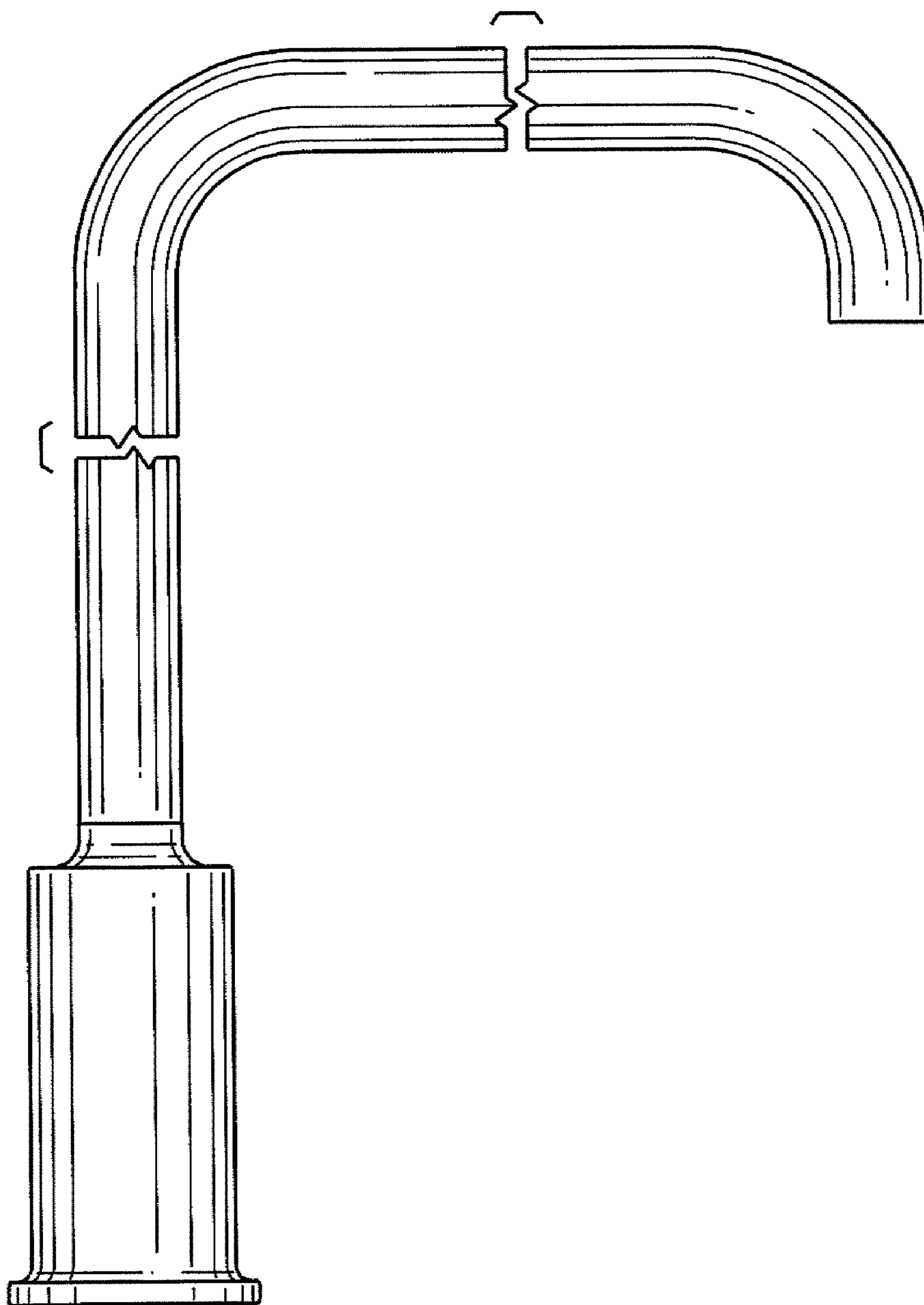


FIG. 5

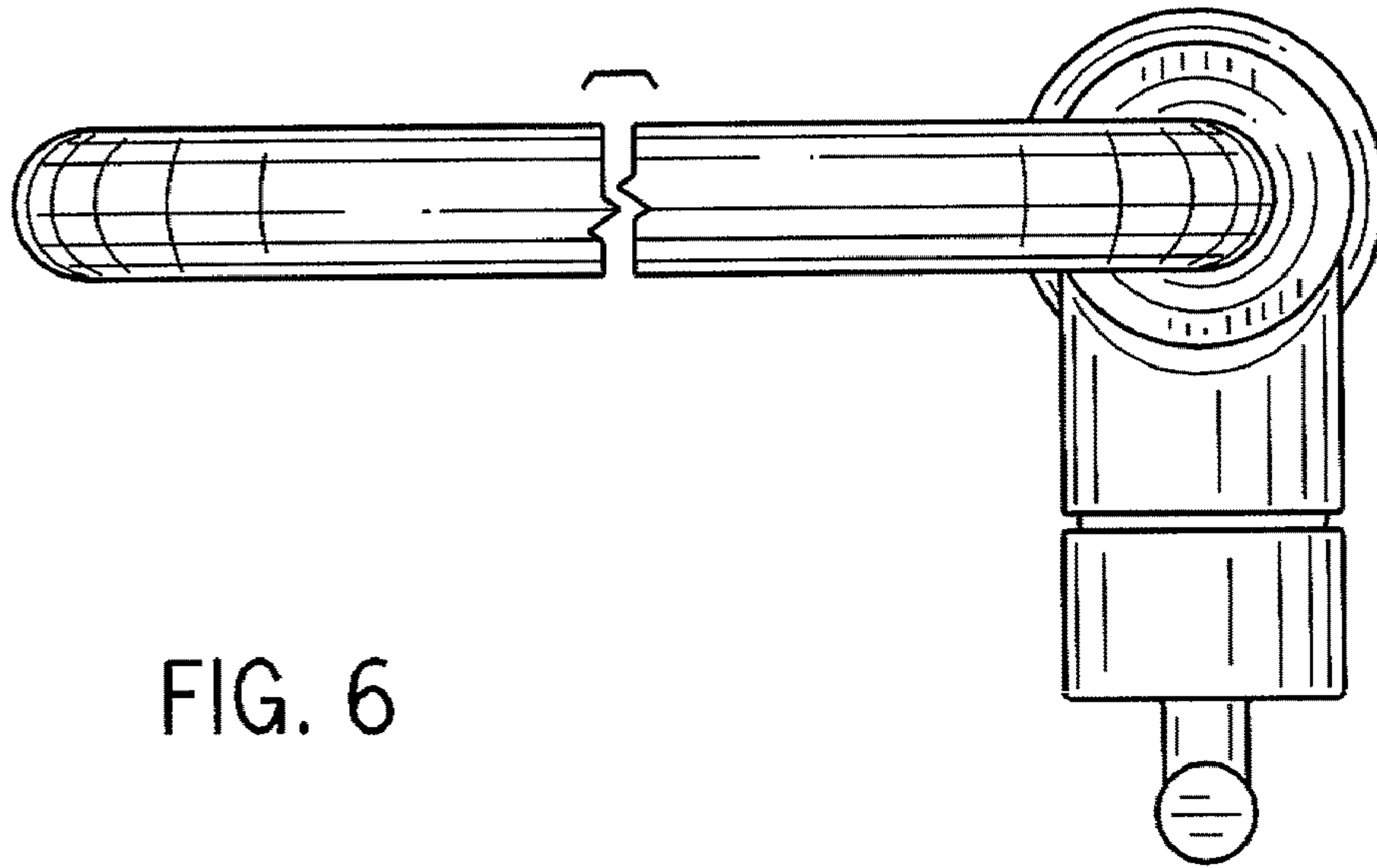


FIG. 6

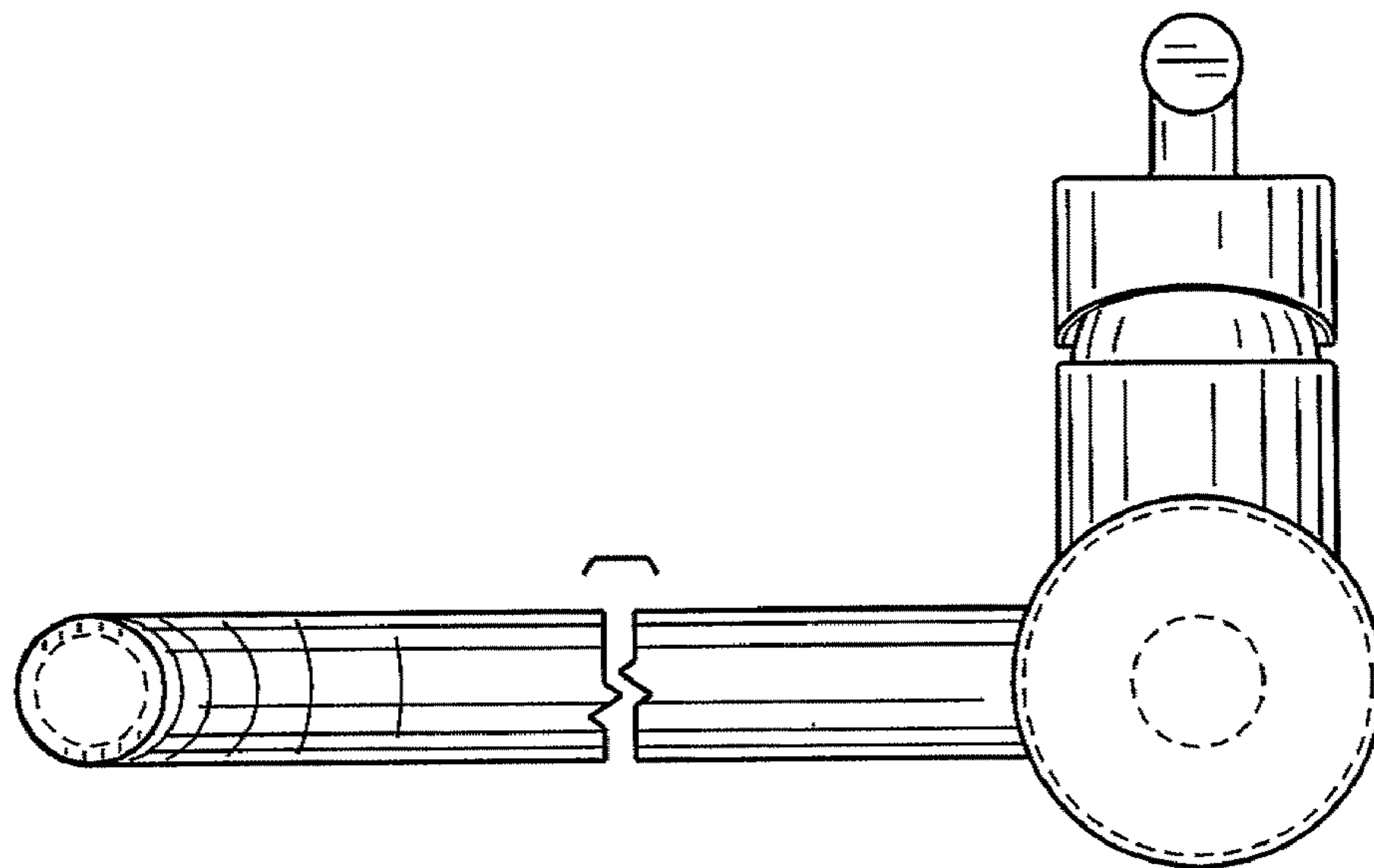


FIG. 7