



US00D635216S

(12) **United States Design Patent**
Moody et al.

(10) **Patent No.:** **US D635,216 S**
(45) **Date of Patent:** **** Mar. 29, 2011**

(54) **SINGLE ACCESSORY RAIL MOUNT FOR VERTICAL FOREGRIPS**

FOREIGN PATENT DOCUMENTS

FR 2623595 5/1989

(75) Inventors: **Joseph R. Moody**, Jacksonville, FL (US); **Joseph D. Gaddini**, Cape Coral, FL (US)

OTHER PUBLICATIONS

Denis H.R. Archer, M.A., *Jane Infantry Weapons*, (1976) pp. 1-3.

(Continued)

(73) Assignee: **Grip Pod Systems, LLC**, Jacksonville, FL (US)

Primary Examiner — T. Chase Nelson
Assistant Examiner — Michael A Pratt

(**) Term: **14 Years**

(74) *Attorney, Agent, or Firm* — Brian S. Steinberger; Law Offices of Brian S. Steinberger, P.A.

(21) Appl. No.: **29/345,900**

(57) **CLAIM**

(22) Filed: **Oct. 23, 2009**

The ornamental design for single accessory rail mount for vertical foregrips, as shown and described.

Related U.S. Application Data

DESCRIPTION

(63) Continuation of application No. 29/299,849, filed on Jan. 4, 2008, now Pat. No. Des. 607,079.

(51) **LOC (9) Cl.** **22-01**

(52) **U.S. Cl.** **D22/108**

(58) **Field of Classification Search** D22/100, D22/108, 109, 110, 199; 42/11, 72, 75.02, 42/71.01, 85, 90, 106, 114, 113, 116, 119, 42/124, 125, 127, 145, 128; 248/201, 205.1
See application file for complete search history.

FIG. 1 is an upper front left perspective of an accessory rail mount design for a foregrip.

FIG. 2 is an upper front right perspective view of the design of FIG. 1.

FIG. 3 is an upper rear right perspective view of the design of FIG. 1.

FIG. 4 is an upper rear left perspective view of the design of FIG. 1.

FIG. 5 is a lower front left perspective view of the design of FIG. 1.

FIG. 6 is a lower front right perspective view of the design of FIG. 1.

FIG. 7 is a front view of the design of FIG. 1.

FIG. 8 is a rear view of the design of FIG. 1.

FIG. 9 is a top view of the design of FIG. 1.

FIG. 10 is a bottom view of the design of FIG. 1.

FIG. 11 is a left side view of the design of FIG. 1; and,

FIG. 12 is a right side view of the design of FIG. 1.

The broken lines in FIGS. 1-12 are for illustrative purposes and form no part of the claimed design.

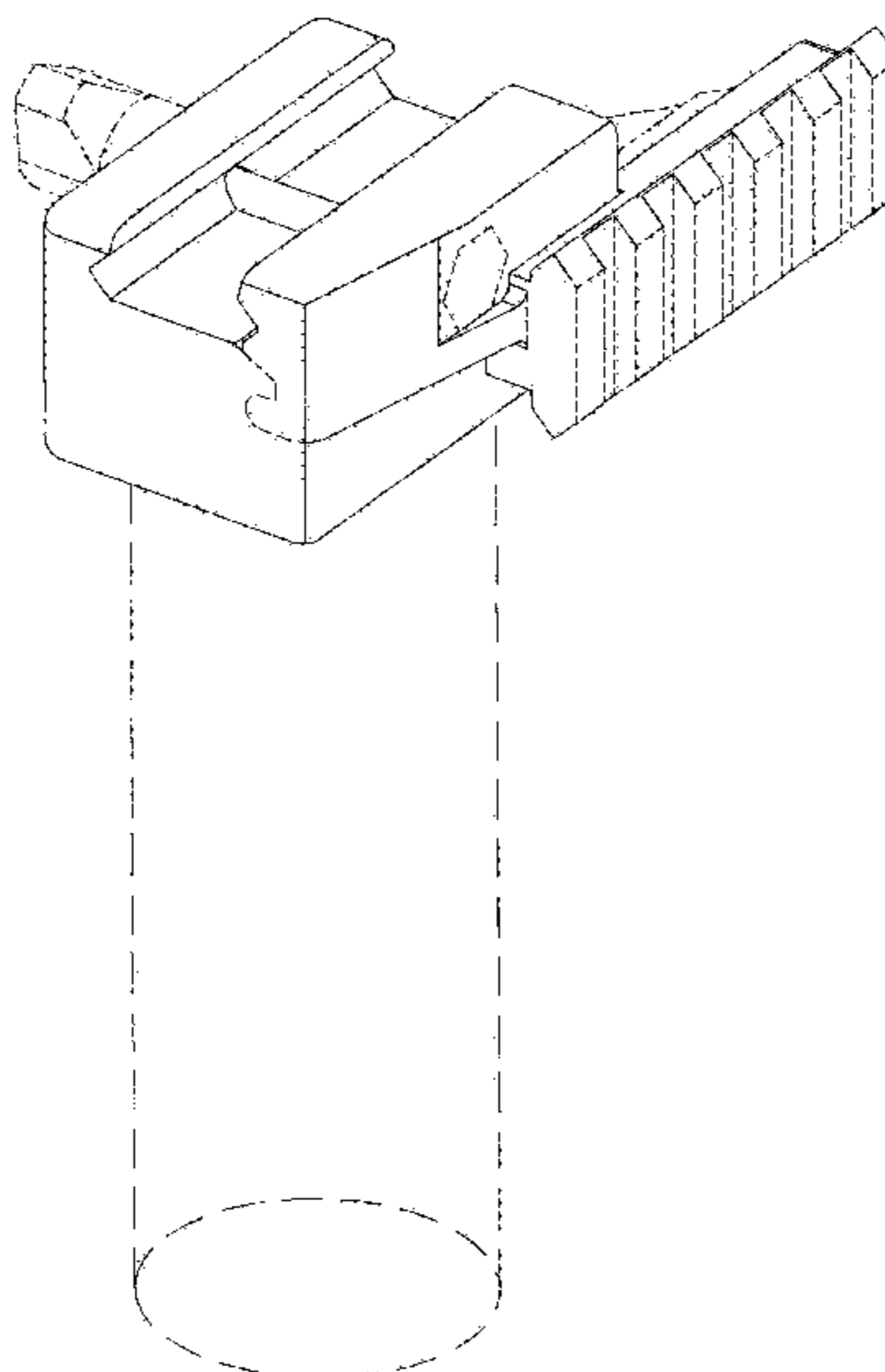
(56) **References Cited**

U.S. PATENT DOCUMENTS

271,251 A	1/1883	Leerbech et al.
575,529 A	1/1897	Stephens
721,425 A	2/1903	Clyde
1,295,688 A	2/1919	Butler
1,355,660 A	10/1920	Faruhar et al.
1,382,409 A	6/1921	Butler
1,580,406 A	4/1926	Browning
2,386,802 A	10/1945	Johnson
2,420,267 A	5/1947	Sefried
2,436,349 A	2/1948	Adams

(Continued)

1 Claim, 11 Drawing Sheets



U.S. PATENT DOCUMENTS

2,489,283	A	11/1949	Garand	
2,763,456	A	9/1956	Breer	
3,235,997	A	2/1966	Stone	
3,632,073	A	1/1972	Nakatani	
4,121,799	A	10/1978	Michio	
4,545,660	A	10/1985	Rudolf	
5,345,706	A	9/1994	Brown	
5,384,609	A	1/1995	Ogawa et al.	
5,438,786	A	8/1995	Hilderbrand	
6,289,622	B1	9/2001	Desch, Jr. et al.	
6,487,807	B1	12/2002	Kopman	
7,222,451	B2 *	5/2007	Keng et al.	42/94
D566,220	S *	4/2008	Moody et al.	D22/108
2004/0000083	A1 *	1/2004	Grant, Jr.	42/112
2004/0103577	A1 *	6/2004	Compton	42/85
2005/0011104	A1 *	1/2005	Oz	42/124
2005/0241206	A1	11/2005	Teetzel et al.	
2006/0277809	A1 *	12/2006	Moody et al.	42/72

OTHER PUBLICATIONS

Brugger & Thormet Unipod, Forward grip with retractable bipod, [online] DSA Inc. Systems Second to None, DSA Order Center, 1 page, [Retrieved on Oct. 18, 2006] Retrieved from: <http://www.dsarms.com/iten-detail.cfm?ID=BT21830A&storeid=1&image=bt21830A.gif>.
 Command Arms Accessories, Flashlight Grip Adaptor, [online] Products, Grips, Pistol Grips, Forward Grips, 3 pages {Retrieved on Jan. 4, 2008} Retrieved from: <http://www.commandarms.com/product.asp?pid=225&cid=12>.
 KZ Tactical Foregrip Rail, The Ultimate Vertical Grip, [online] BotachTactical.com, KZ Tactical Foregrip Rail, 5 pages [Retrieved on Jan. 4, 2008] Retrieved from: <http://www.botachtactical.com/kzozepigr.html>.

* cited by examiner

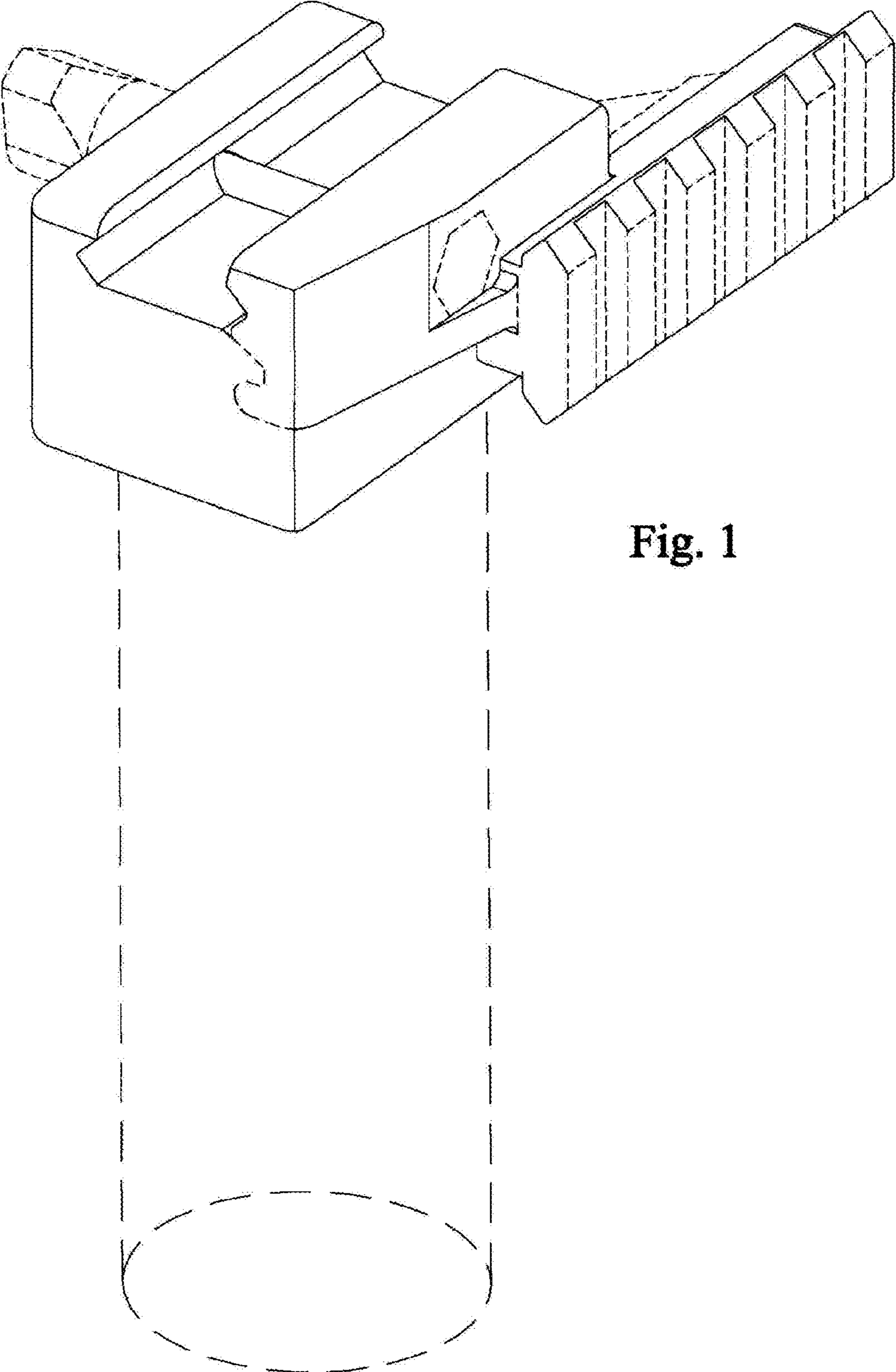


Fig. 1

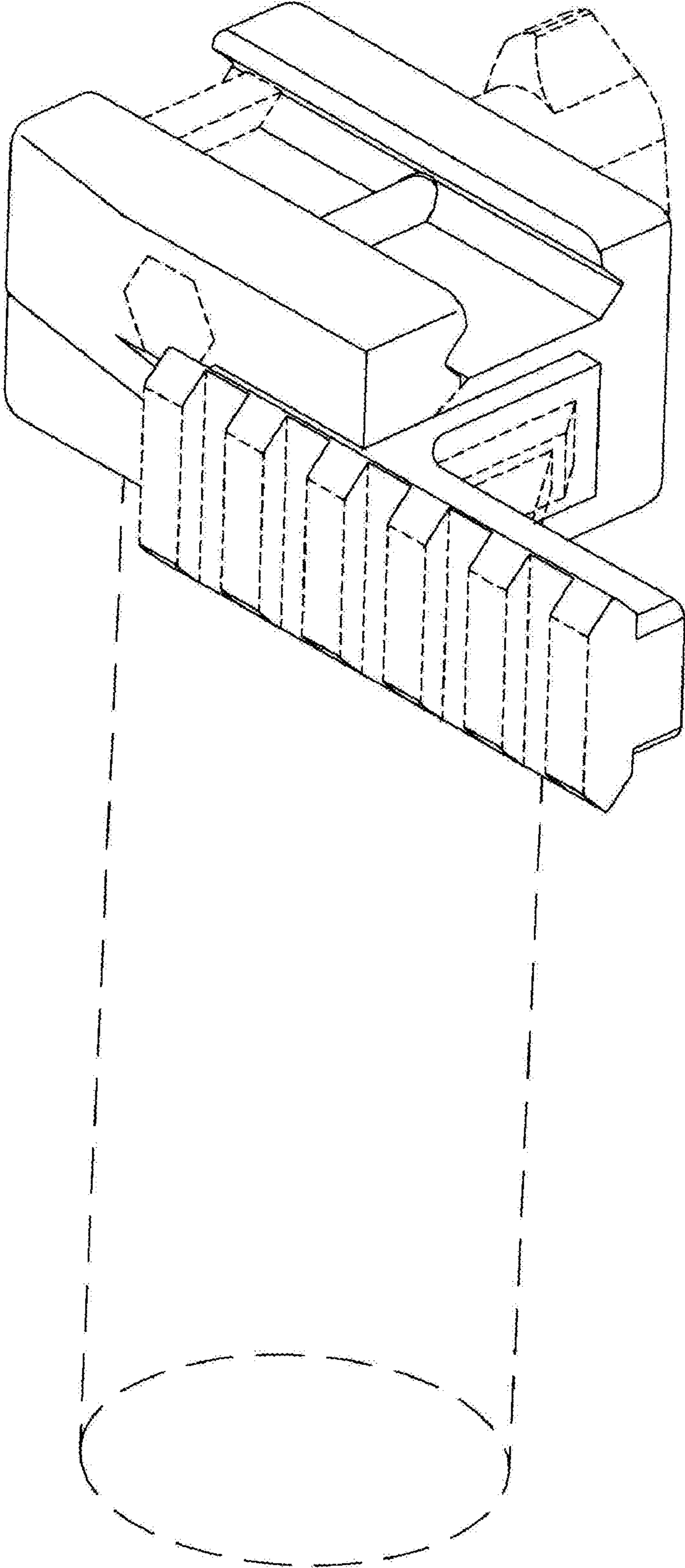


Fig. 2

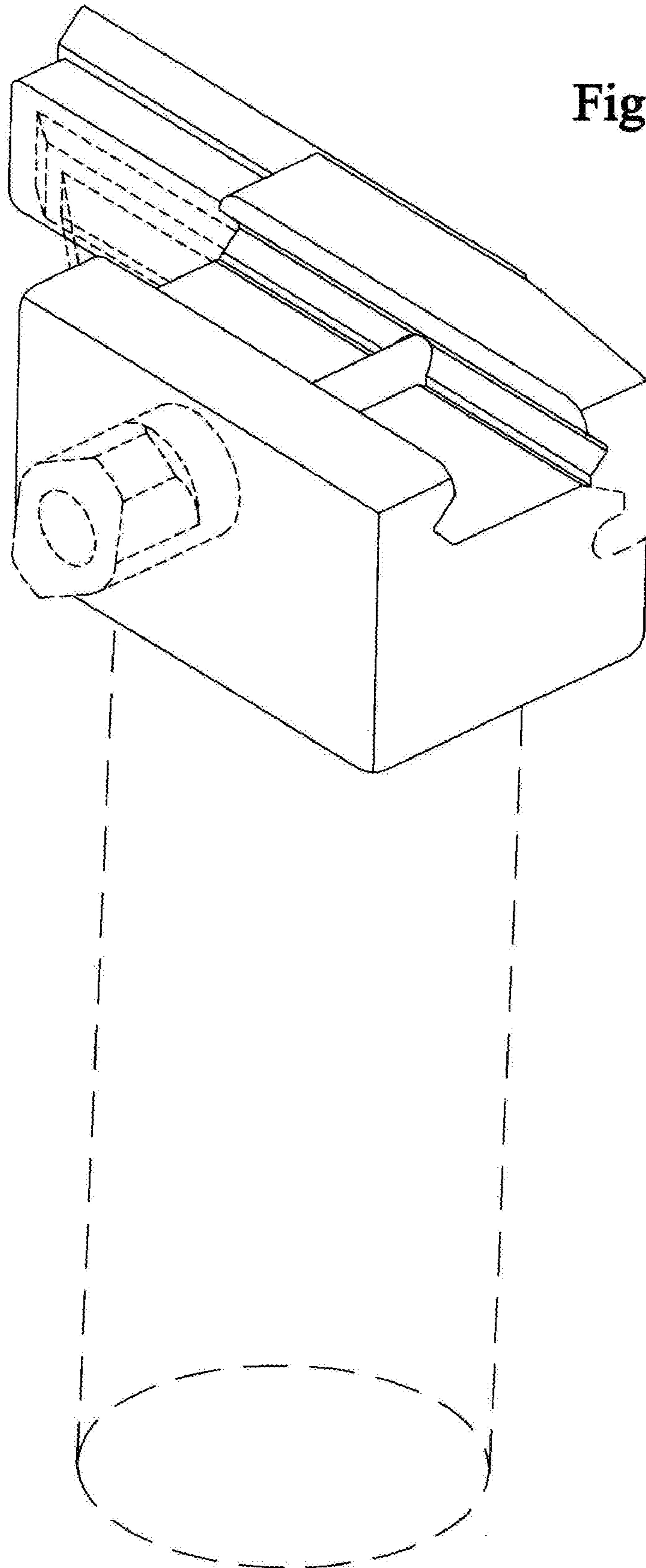


Fig. 3

Fig. 4

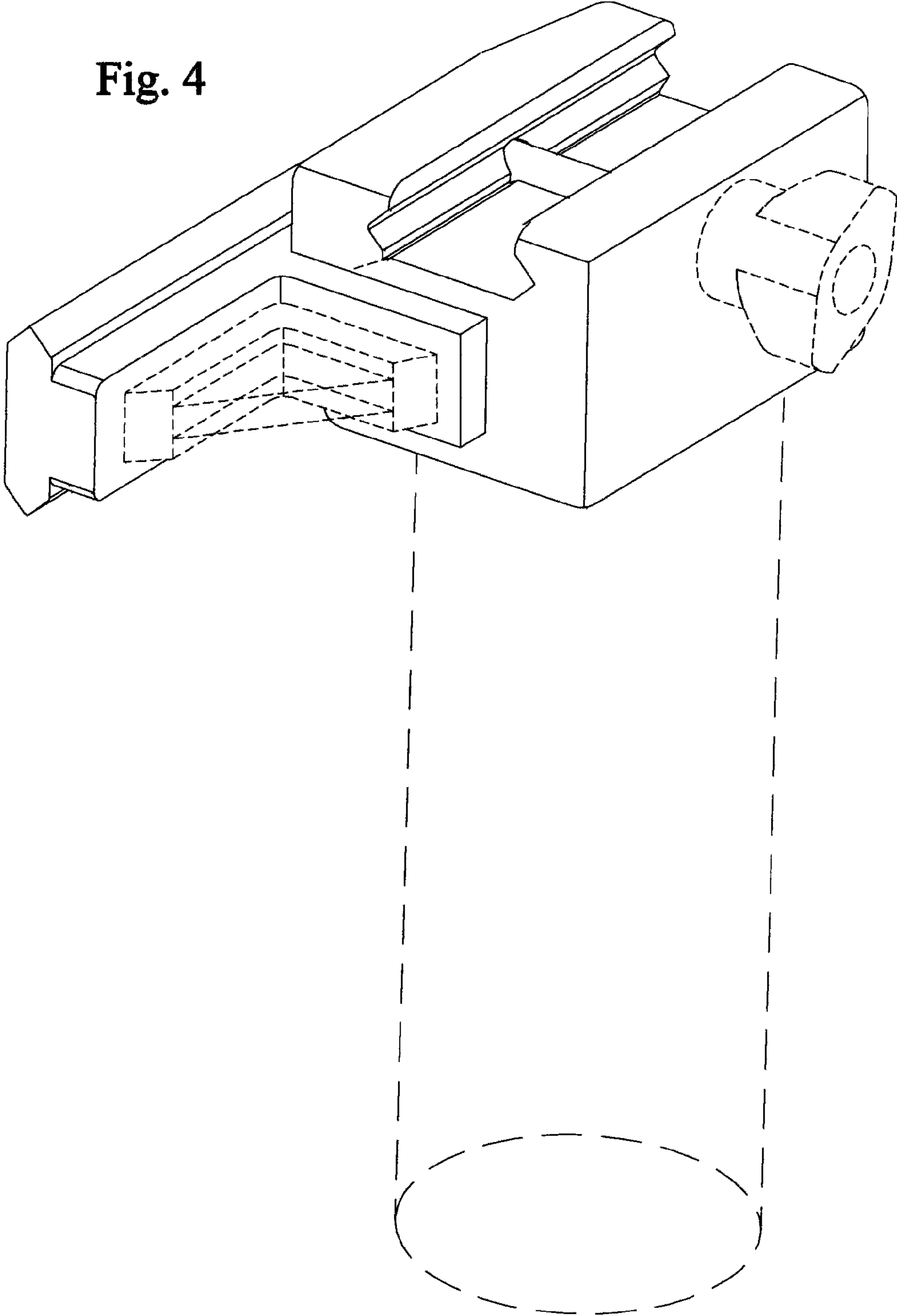


Fig. 5

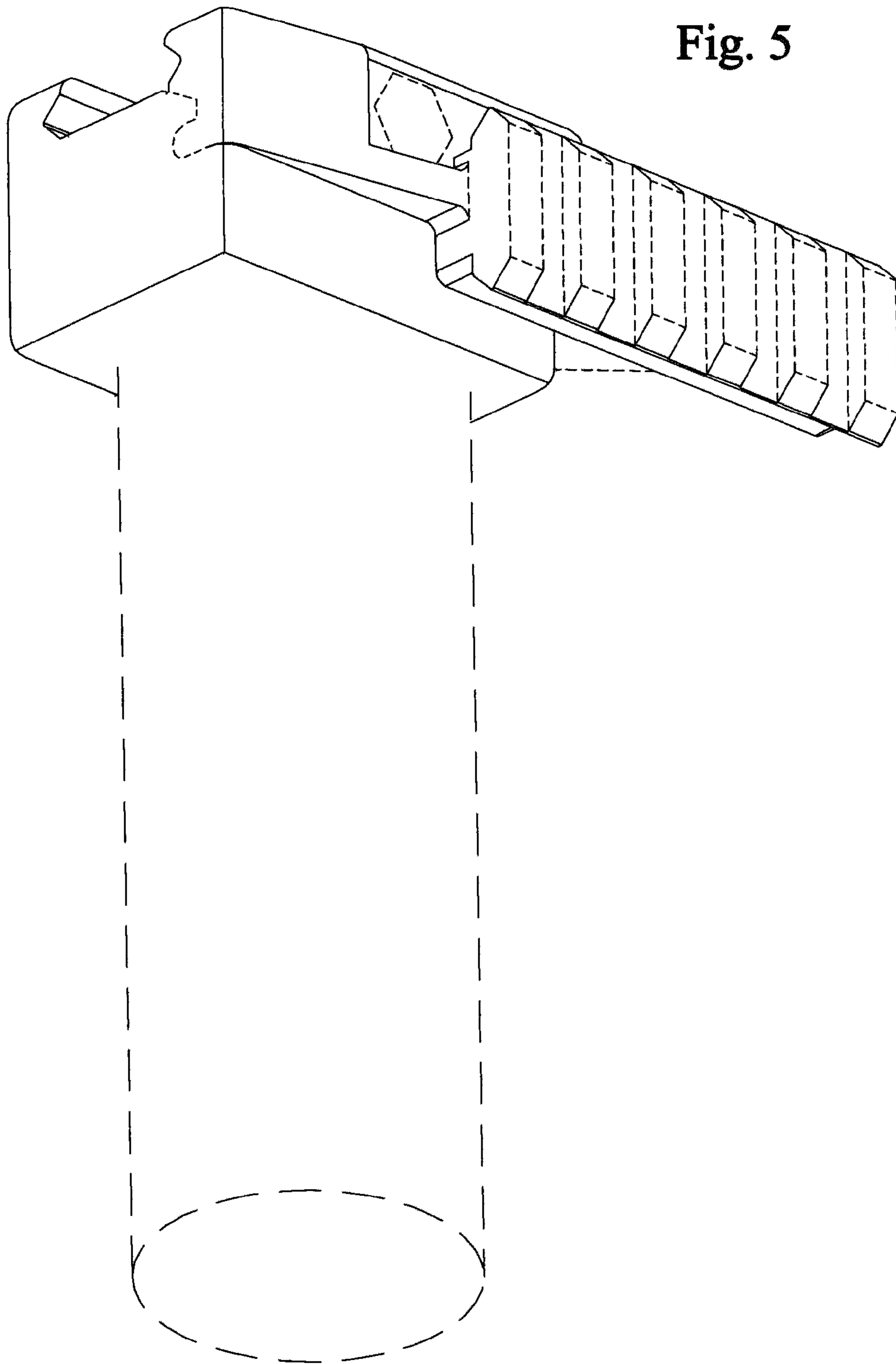
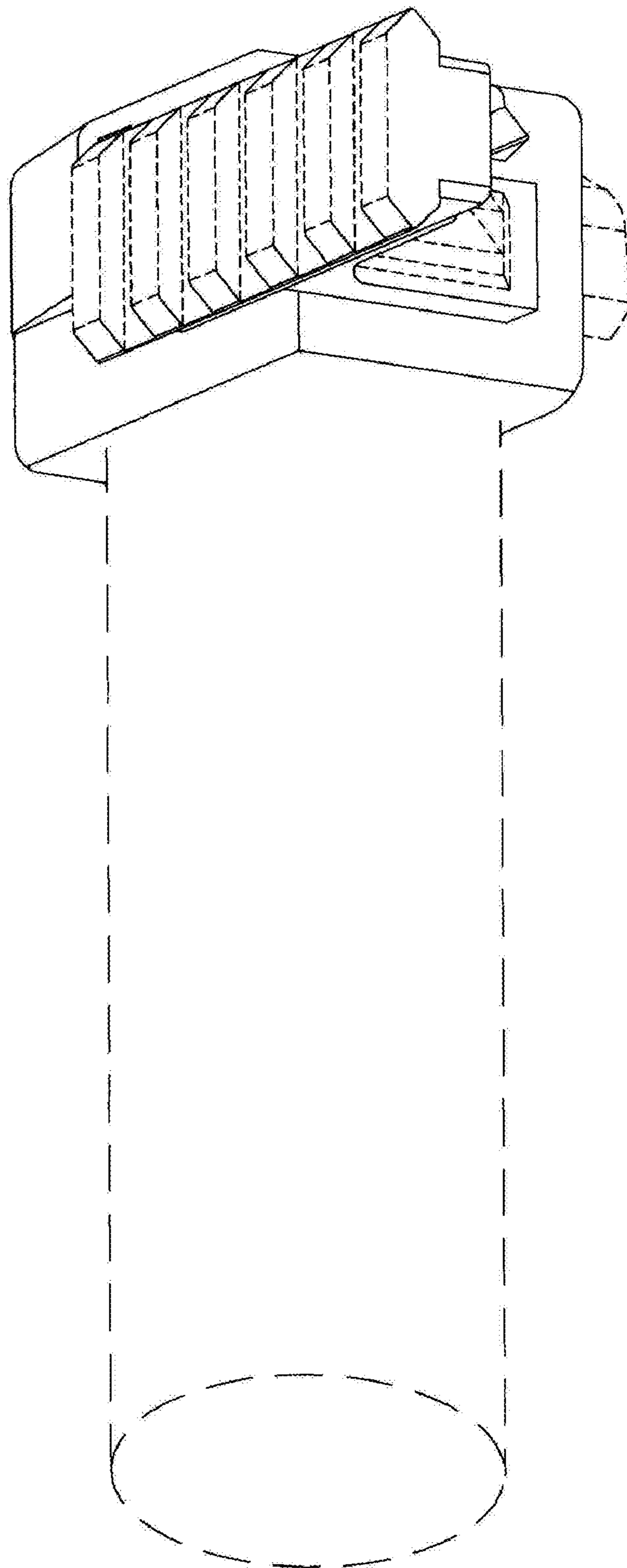


Fig. 6



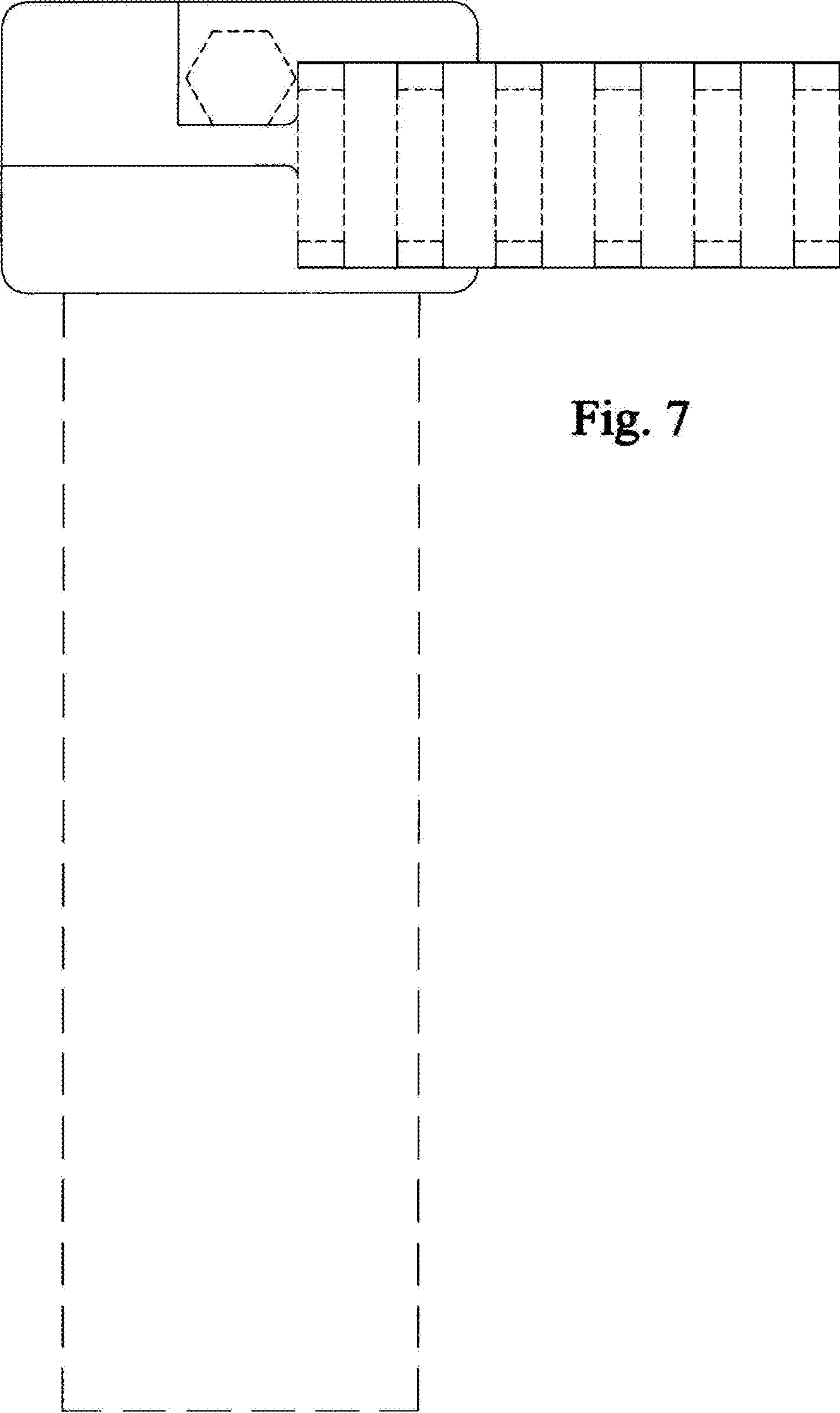


Fig. 7

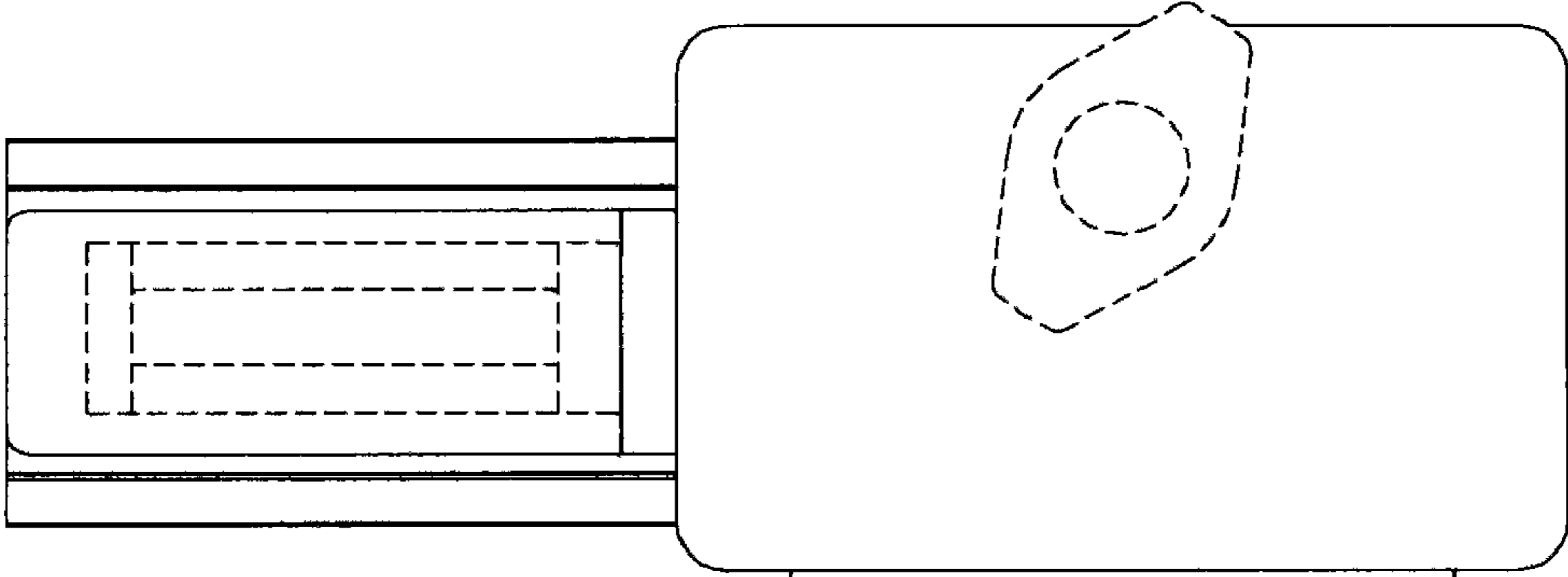
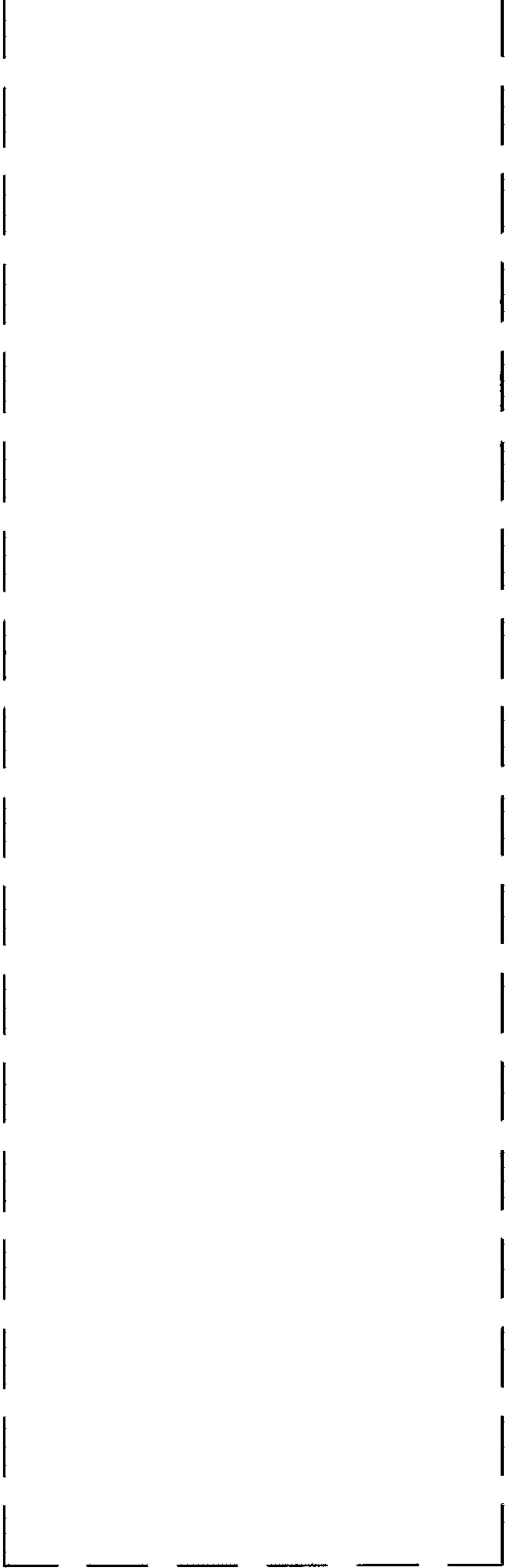


Fig. 8



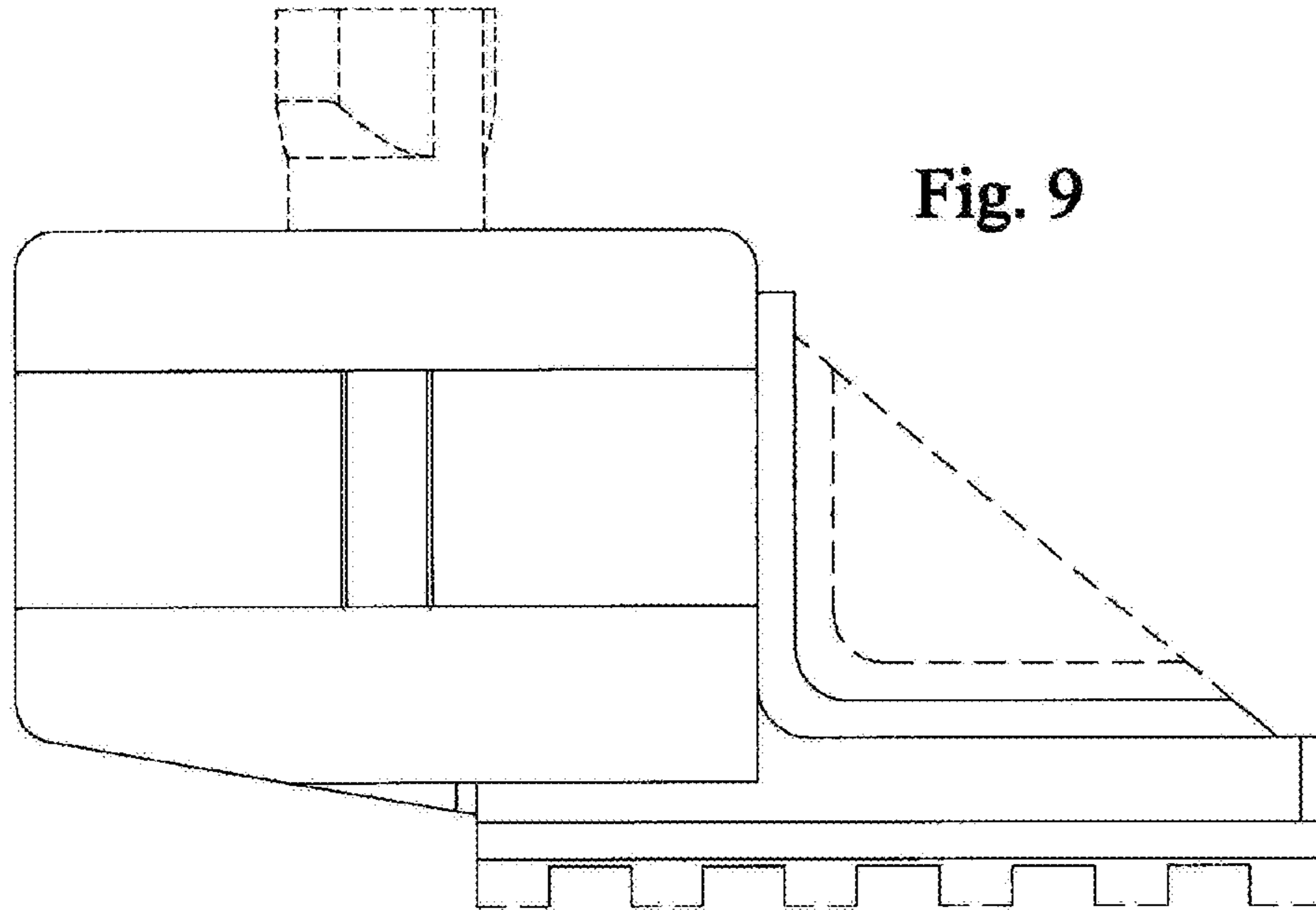


Fig. 9

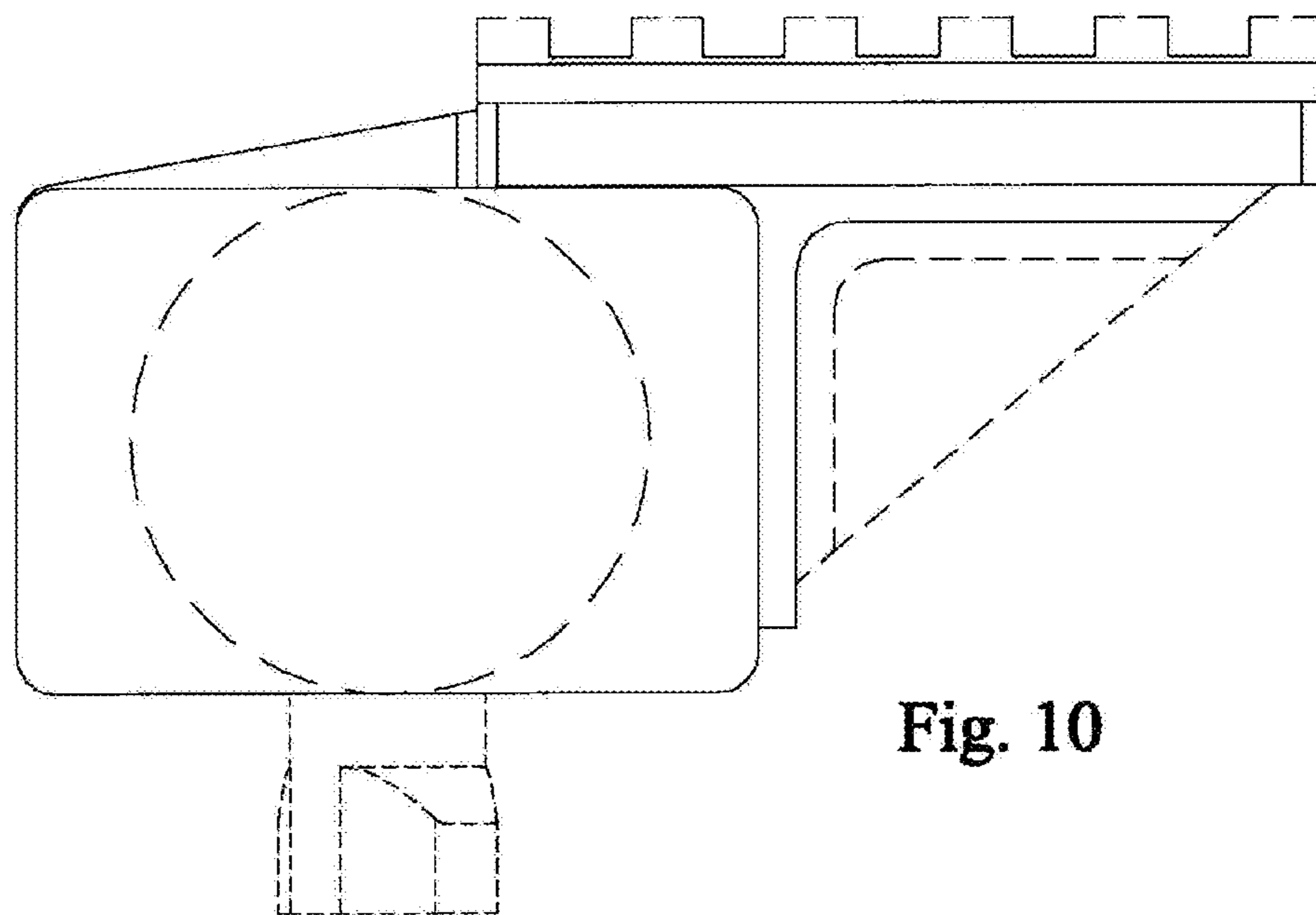


Fig. 10

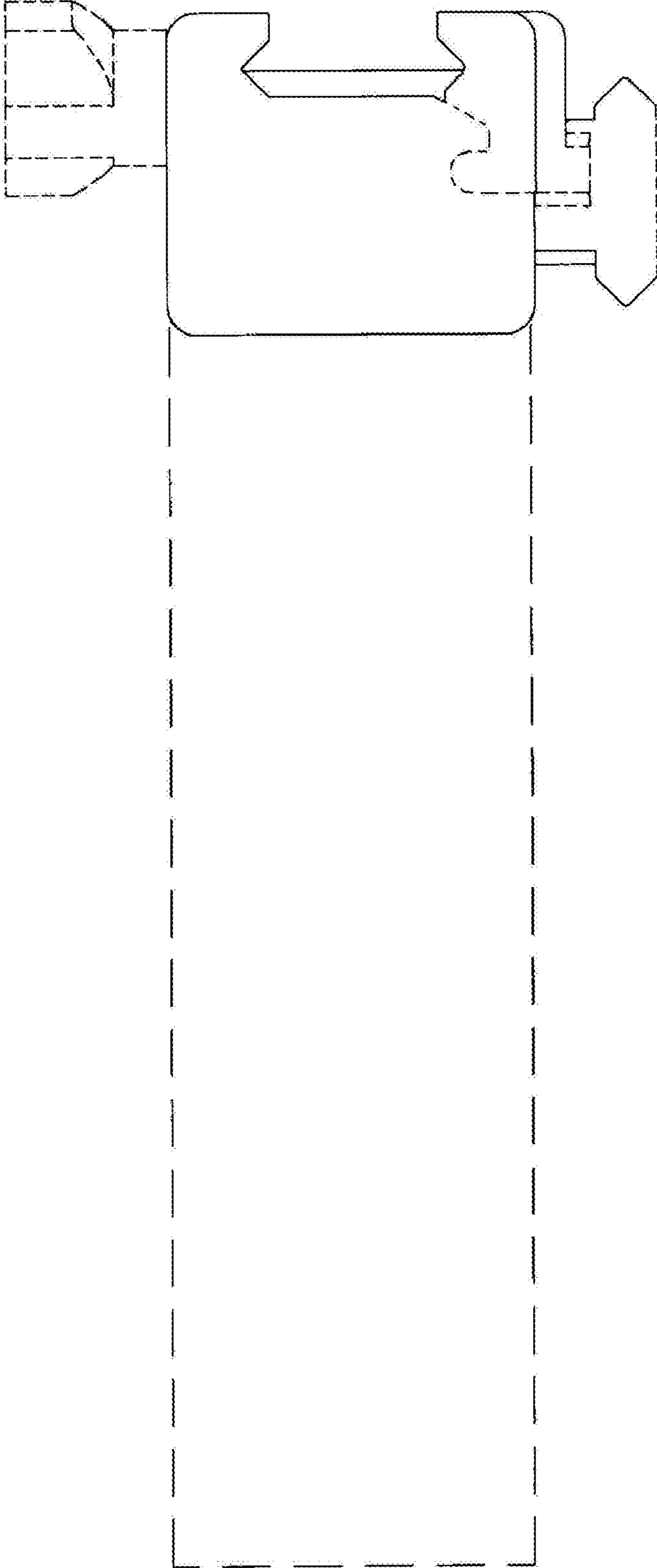


Fig. 11

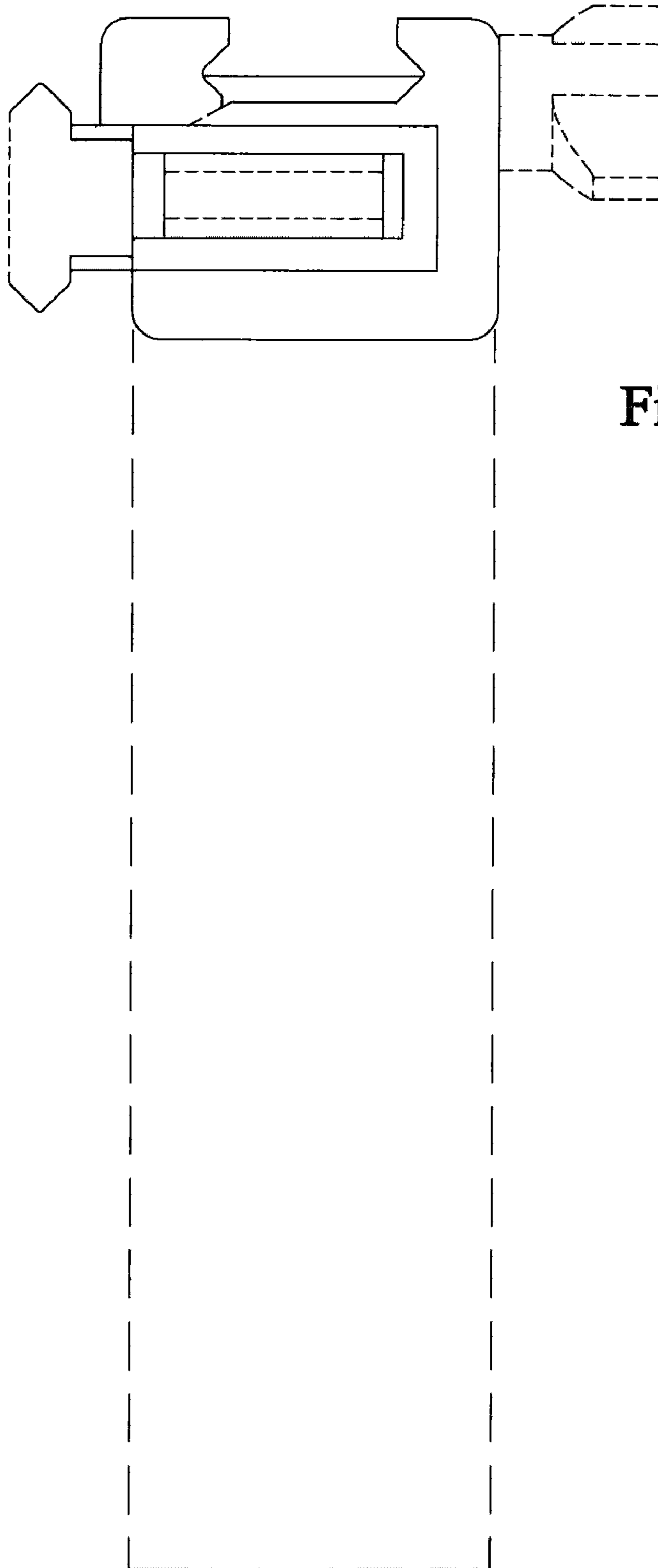


Fig. 12