



US00D635213S

(12) **United States Design Patent**  
**Hunter**

(10) **Patent No.:** **US D635,213 S**

(45) **Date of Patent:** **\*\* Mar. 29, 2011**

(54) **FLOATATION INNER-TUBE**

(75) Inventor: **Richard D Hunter, Ottawa (CA)**

(73) Assignee: **Proslide Technology Inc. (CA)**

(\*\*) Term: **14 Years**

(21) Appl. No.: **29/364,100**

(22) Filed: **Jun. 18, 2010**

(30) **Foreign Application Priority Data**

Apr. 26, 2010 (CA) ..... 135186

(51) **LOC (9) Cl.** ..... **21-02**

(52) **U.S. Cl.** ..... **D21/769; D21/803**

(58) **Field of Classification Search** ..... D21/760,  
D21/761, 765, 766, 769-770, 801, 803, 809;  
D6/392, 596, 601, 604; 472/128-129; D12/5,  
D12/6, 316; 114/253, 345-346; 441/35,  
441/66, 40-42, 129-132

See application file for complete search history.

(56) **References Cited**

**U.S. PATENT DOCUMENTS**

D138,421 S \* 8/1944 Kachner ..... D12/317  
4,730,569 A \* 3/1988 Colson ..... 114/43

D322,301 S \* 12/1991 Harris ..... D12/316  
6,225,940 B1 \* 5/2001 Ohlsen ..... 342/5  
D472,679 S \* 4/2003 Burington ..... D29/121.1  
D489,113 S \* 4/2004 Peterson ..... D21/803  
D501,238 S \* 1/2005 Peterson ..... D21/769  
D505,988 S \* 6/2005 Peterson ..... D21/803  
D510,971 S \* 10/2005 Hunter ..... D21/803  
D624,144 S \* 9/2010 Hunter ..... D21/803

\* cited by examiner

*Primary Examiner* — Janice E Seeger

*Assistant Examiner* — Zenia I Bennett

(74) *Attorney, Agent, or Firm* — Barnes & Thornburg LLP

(57) **CLAIM**

I claim the ornamental design for a floatation inner-tube, as shown and described.

**DESCRIPTION**

FIG. 1 is a perspective view of a floatation inner-tube according to the design;

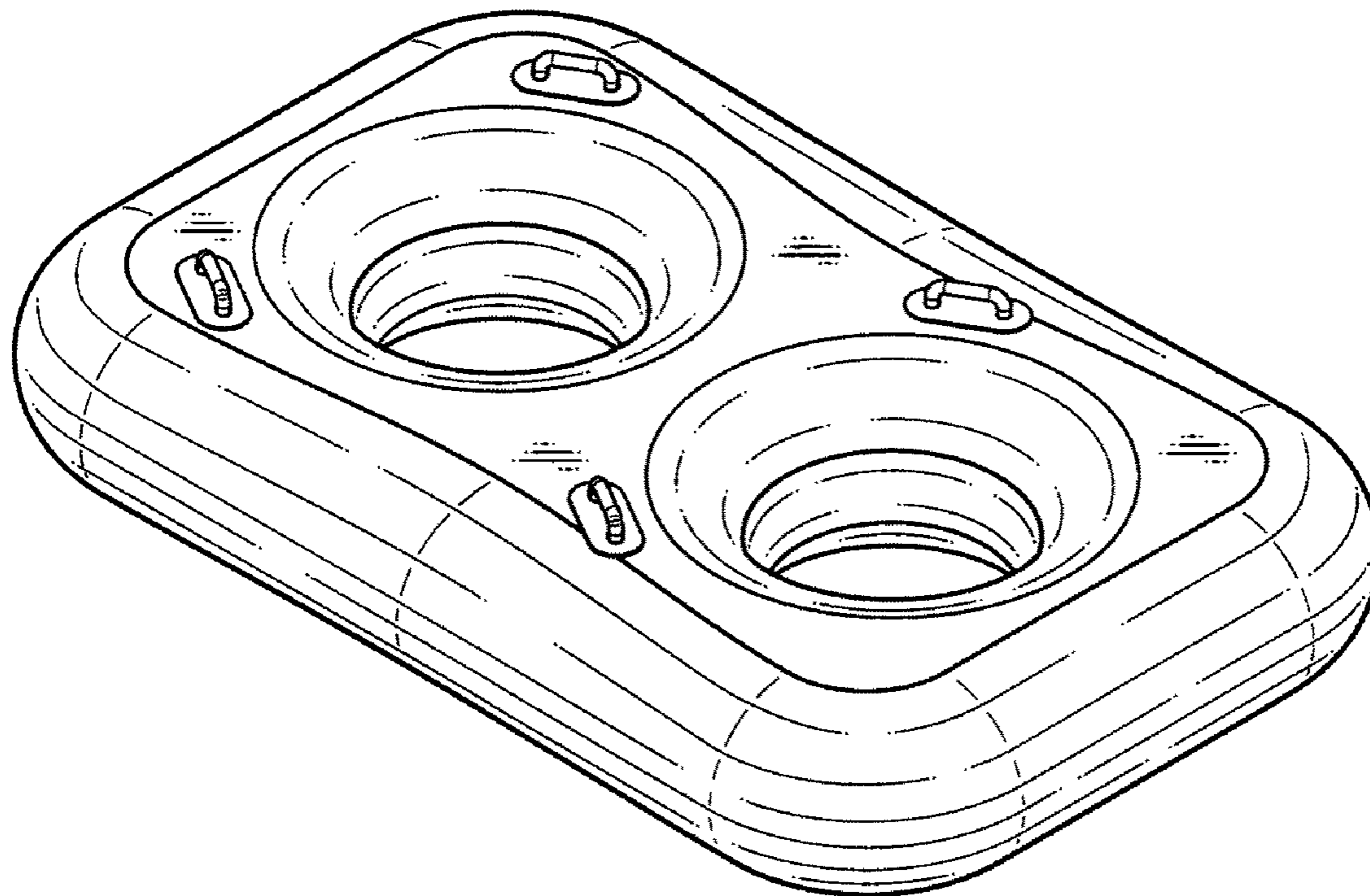
FIG. 2 is a side view thereof;

FIG. 3 is an end view thereof;

FIG. 4 is a top view thereof; and,

FIG. 5 is a bottom view thereof.

**1 Claim, 2 Drawing Sheets**



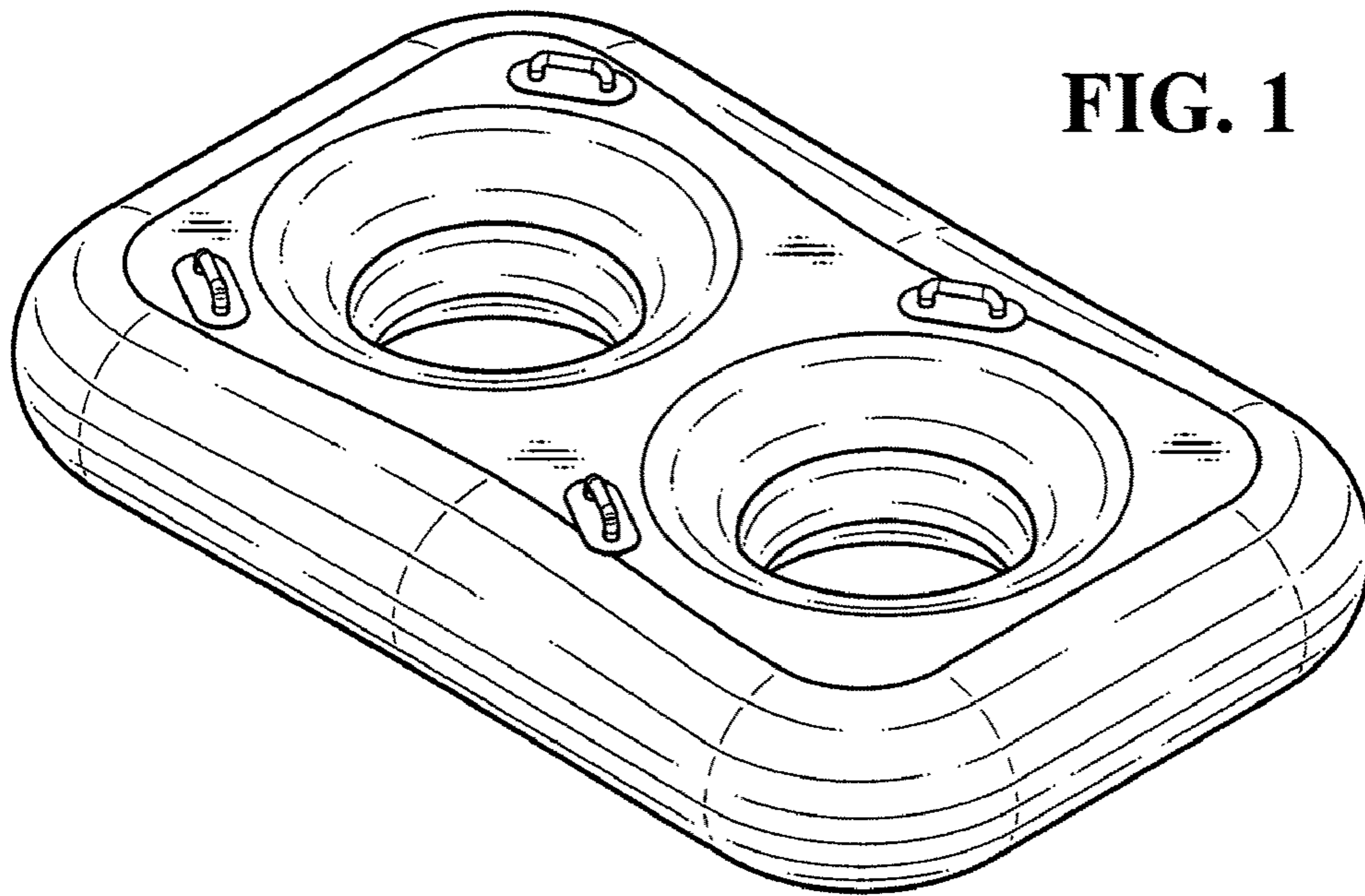


FIG. 1

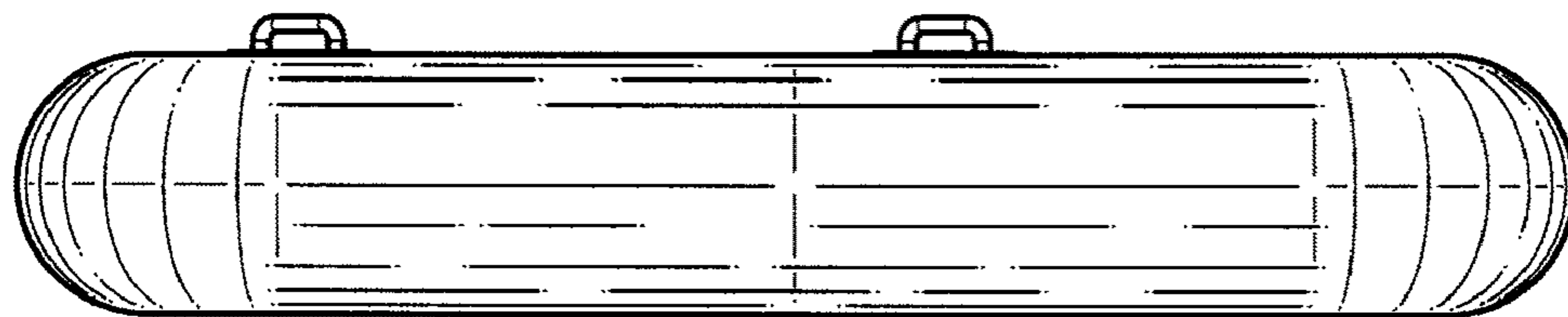


FIG. 2

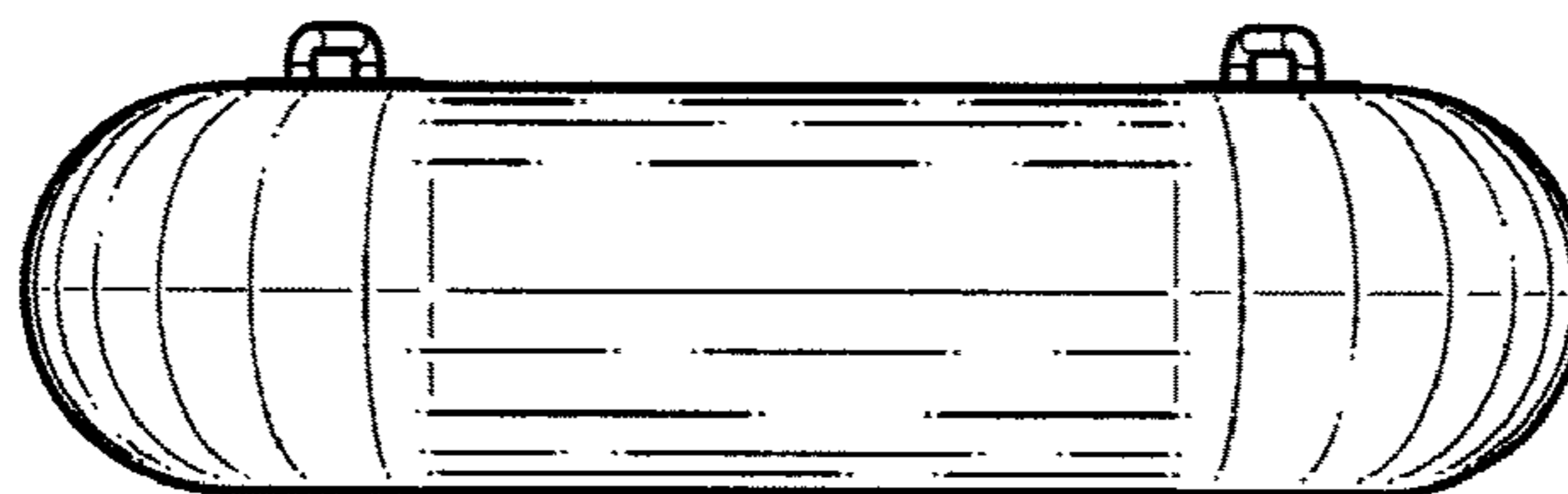
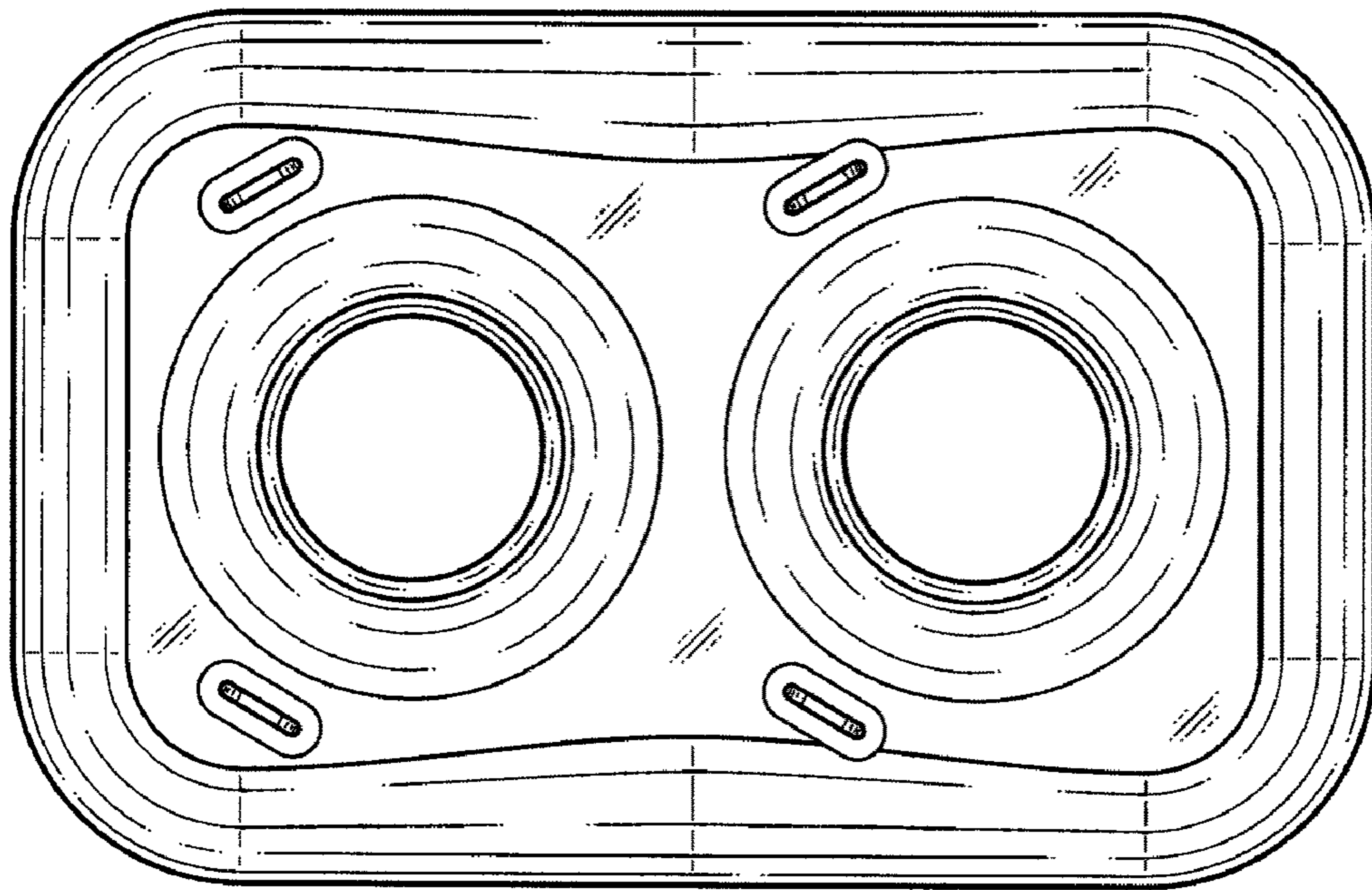
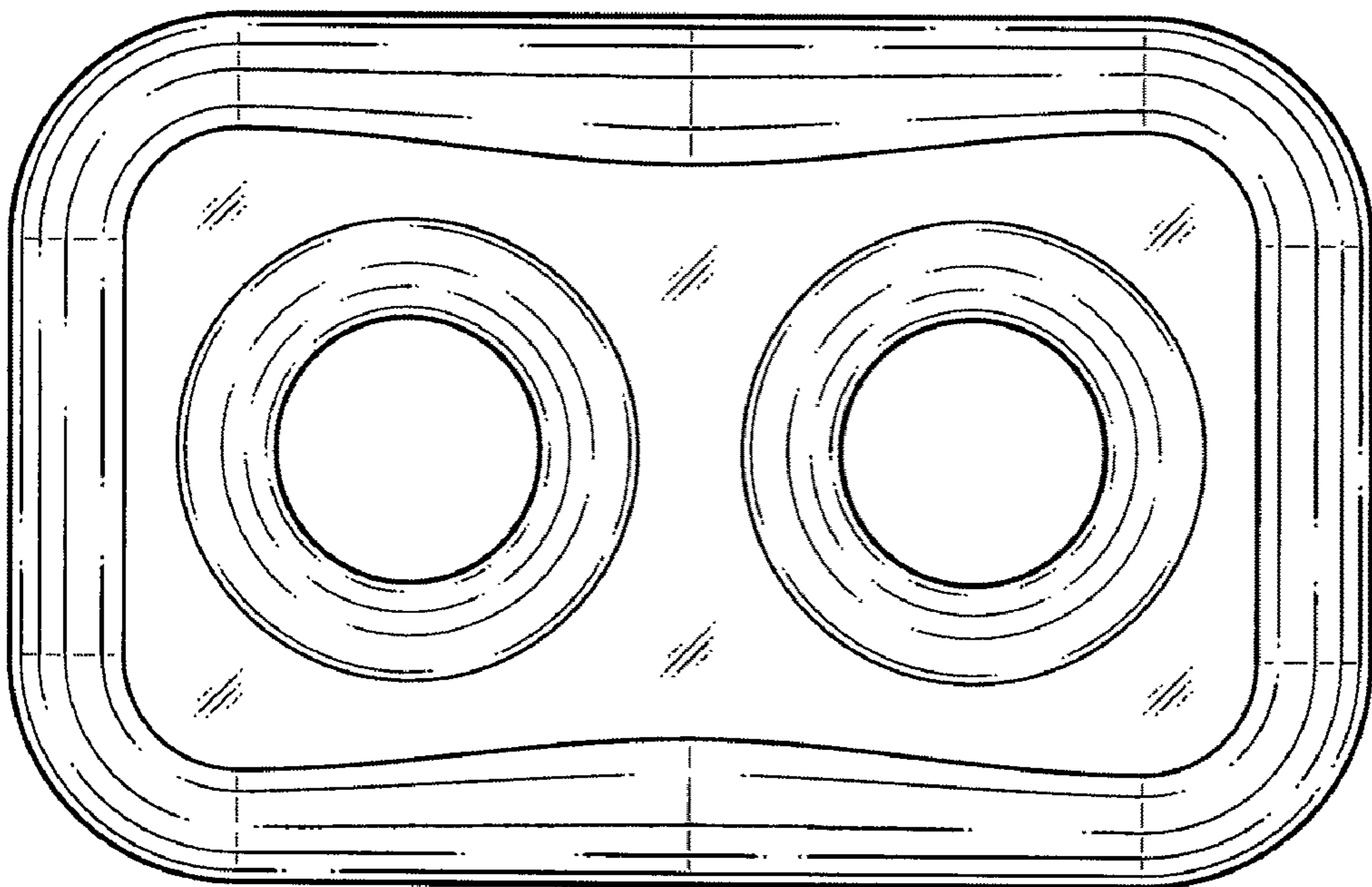


FIG. 3



**FIG. 4**



**FIG. 5**