



US00D635212S

(12) **United States Design Patent**
Woncik

(10) **Patent No.:** **US D635,212 S**
(45) **Date of Patent:** **** Mar. 29, 2011**

(54) **SKATEBOARD**

(76) **Inventor:** **John David Woncik**, Granada Hills, CA
(US)

(**) **Term:** **14 Years**

(21) **Appl. No.:** **29/362,270**

(22) **Filed:** **May 21, 2010**

(51) **LOC (9) Cl.** **21-02**

(52) **U.S. Cl.** **D21/765**

(58) **Field of Classification Search** D21/419,
D21/421, 423, 426, 760, 765, 766, 769, 771,
D21/776, 803; D12/1; 280/7.14, 11.115,
280/11.19, 11.27, 11.28, 14.21, 87.01, 87.021,
280/87.03, 87.041, 87.042, 607, 608, 609,
280/809; 180/180, 181; 434/247, 253, 258
See application file for complete search history.

(56) **References Cited**

U.S. PATENT DOCUMENTS

D103,419	S	*	3/1937	Birkhead	D21/426
3,391,947	A	*	7/1968	Hodas	280/87.03
3,442,528	A	*	5/1969	Rademacher	280/87.041
4,061,351	A	*	12/1977	Bangle	280/87.042
D279,920	S	*	7/1985	Gardinier et al.	D12/11
D298,047	S	*	10/1988	Levine	D21/771

4,930,796	A	*	6/1990	Harrod	280/87.021
5,154,436	A	*	10/1992	Jez et al.	280/87.042
D332,977	S	*	2/1993	Huffman et al.	D21/423
5,354,081	A	*	10/1994	Huffman et al.	280/87.01
D382,617	S	*	8/1997	Oak	D21/765
5,927,732	A	*	7/1999	Snyder	280/87.01
D421,282	S	*	2/2000	Orr	D21/765
D440,607	S	*	4/2001	Mahlow	D21/765
D468,789	S	*	1/2003	Arnold et al.	D21/765
6,685,201	B1	*	2/2004	Smith, III	280/87.01
D514,186	S	*	1/2006	Hazlett	D21/765

* cited by examiner

Primary Examiner — Cynthia M Chin

(74) *Attorney, Agent, or Firm* — QuickPatents, Inc.; Kevin Prince

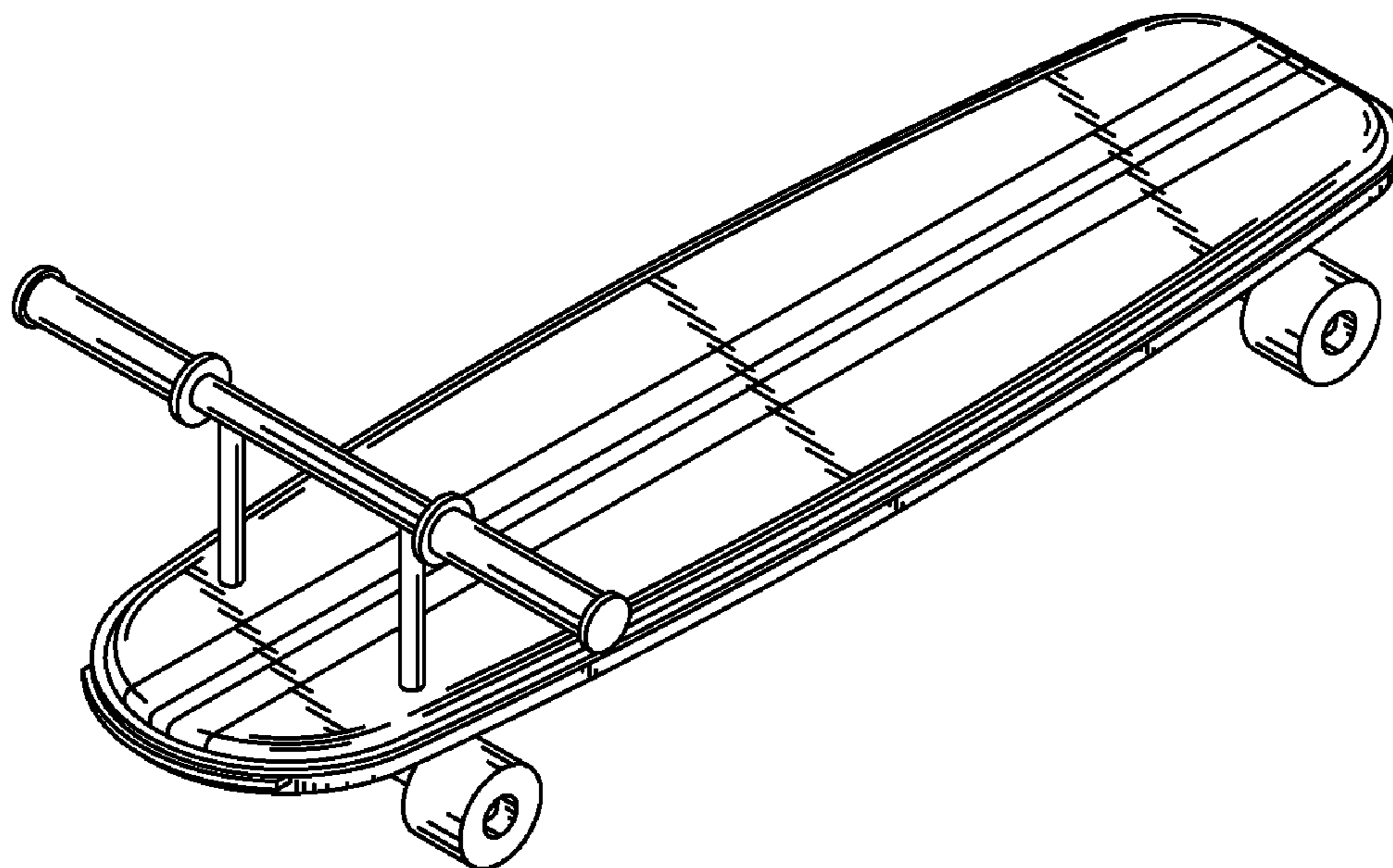
(57) **CLAIM**

What is claimed is the ornamental design for a skateboard, as shown and described.

DESCRIPTION

FIG. 1 is a perspective view of a skateboard, showing the new design;
FIG. 2 is a front elevational view thereof;
FIG. 3 is a rear elevational view thereof;
FIG. 4 is a right-side elevational view thereof;
FIG. 5 is a left-side elevational view thereof;
FIG. 6 is a top plan view thereof; and,
FIG. 7 is a bottom plan view thereof.

1 Claim, 2 Drawing Sheets



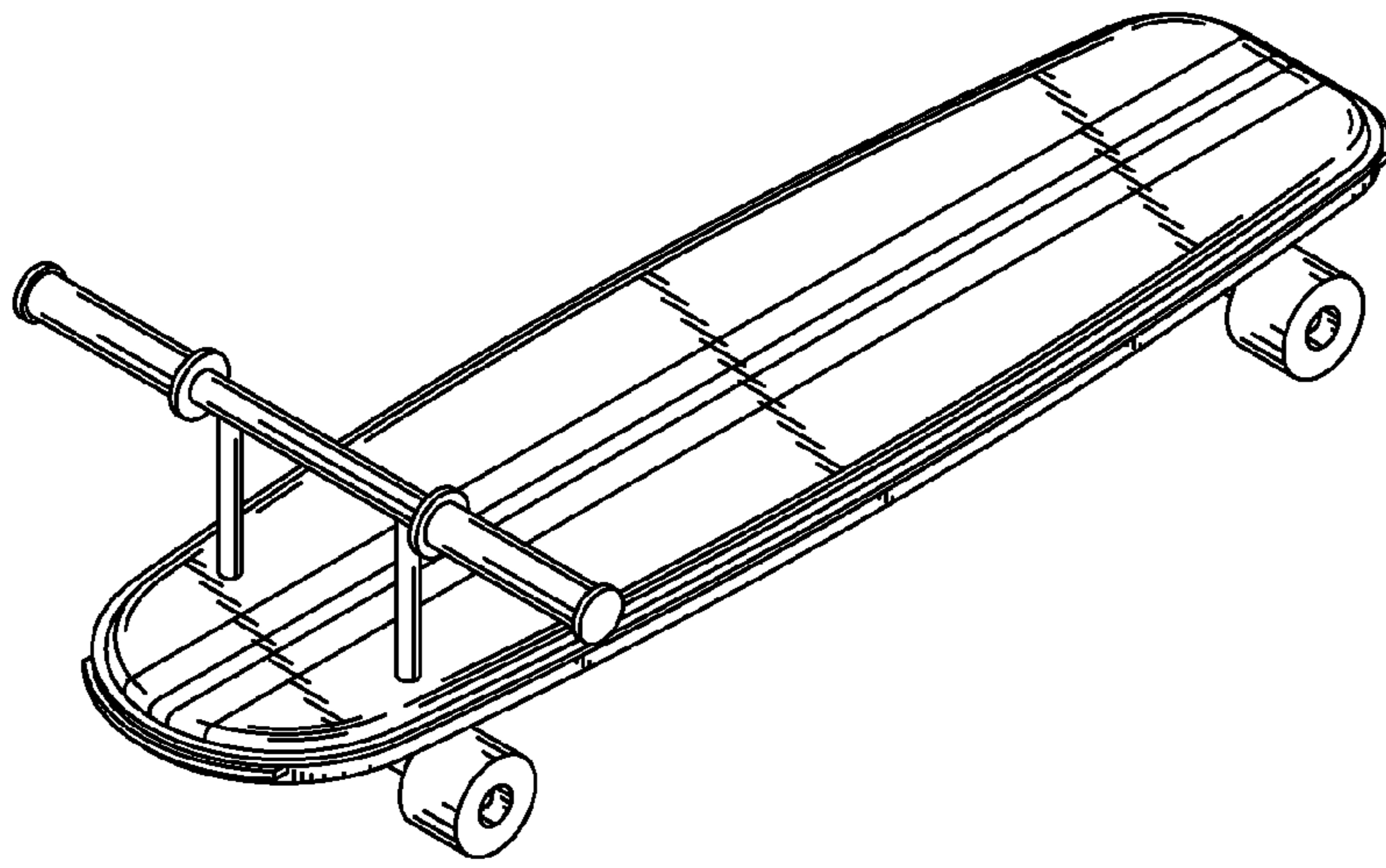


FIG. 1

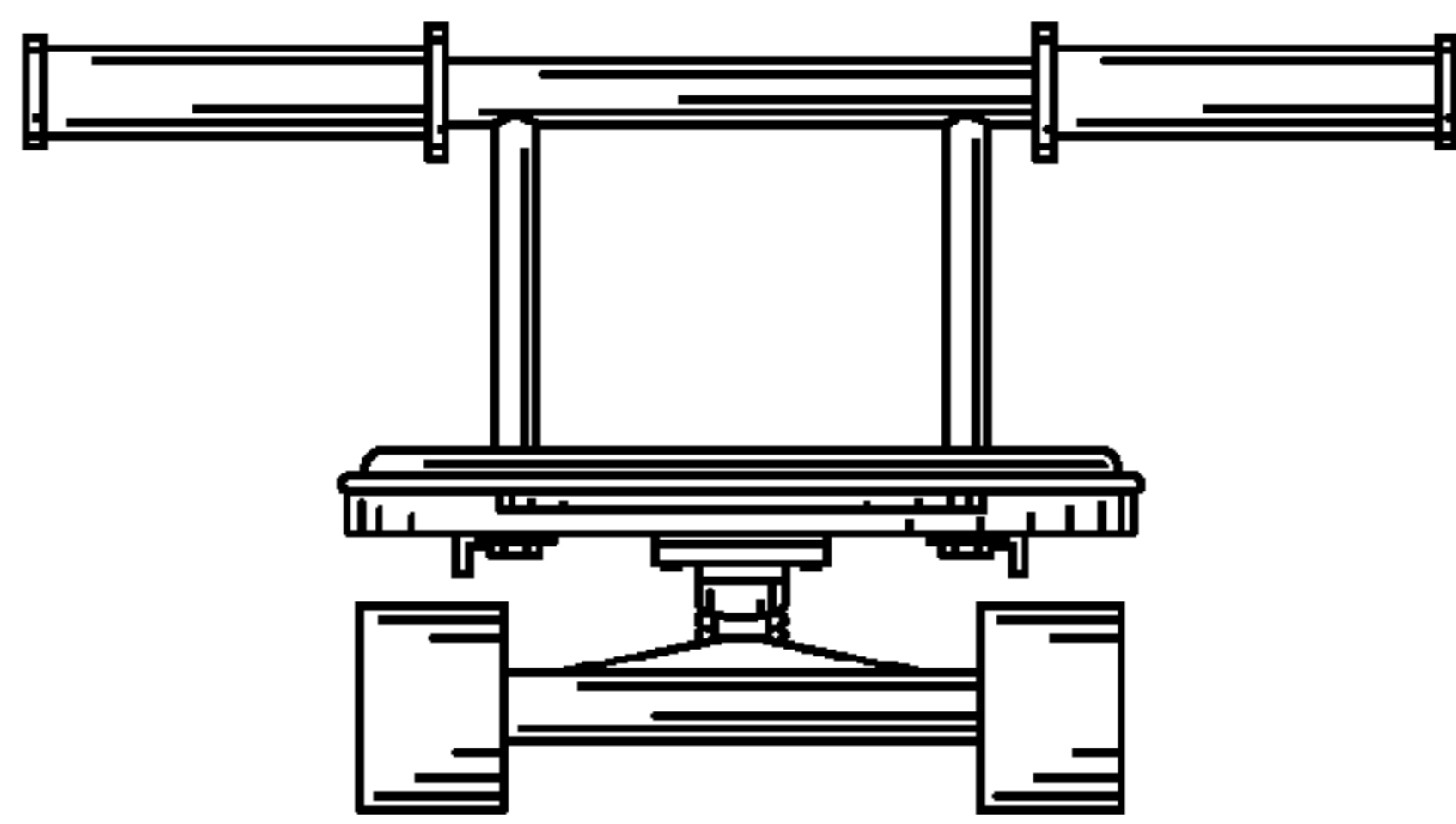


FIG. 2

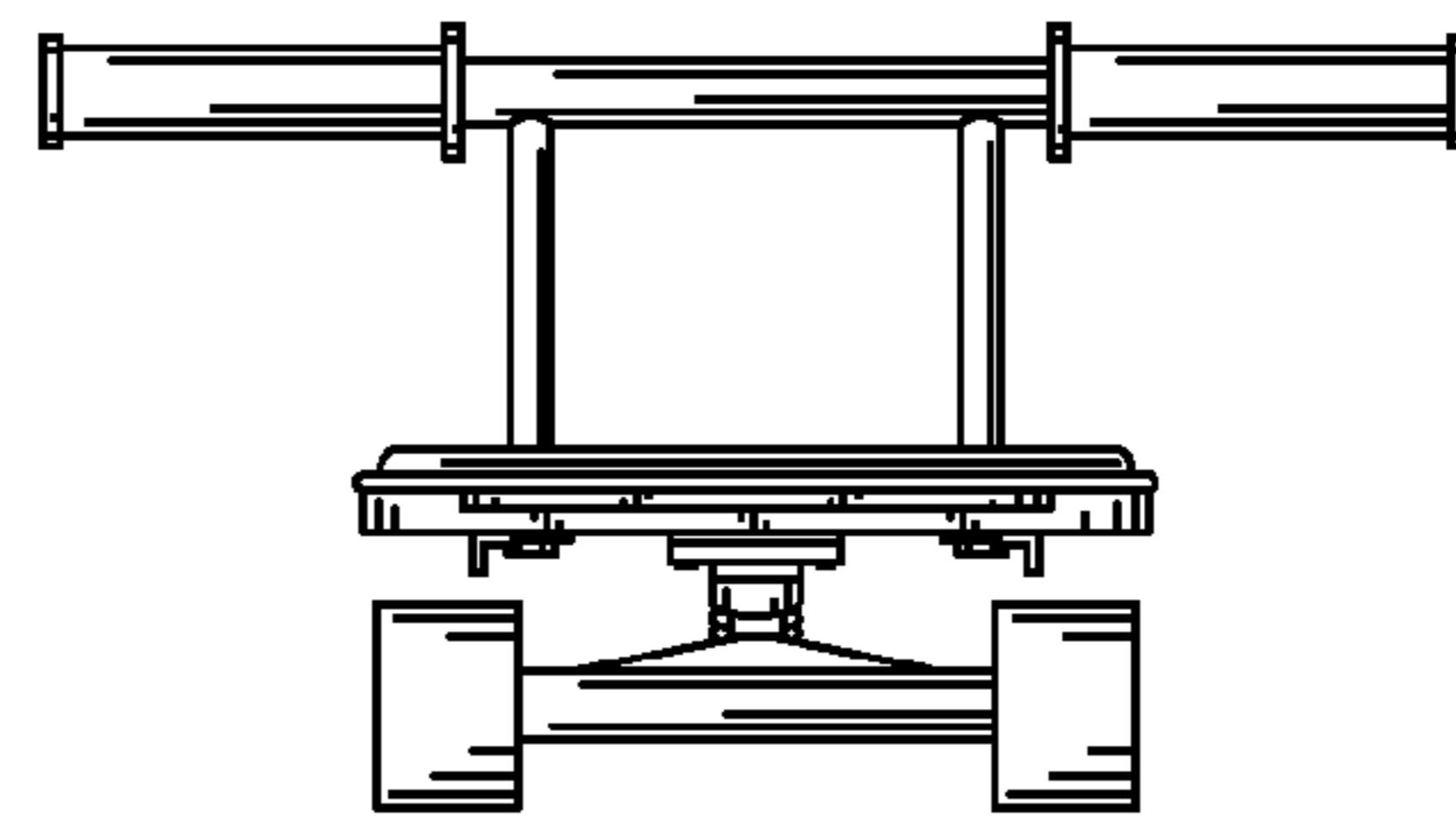


FIG. 3



FIG. 4



FIG. 5

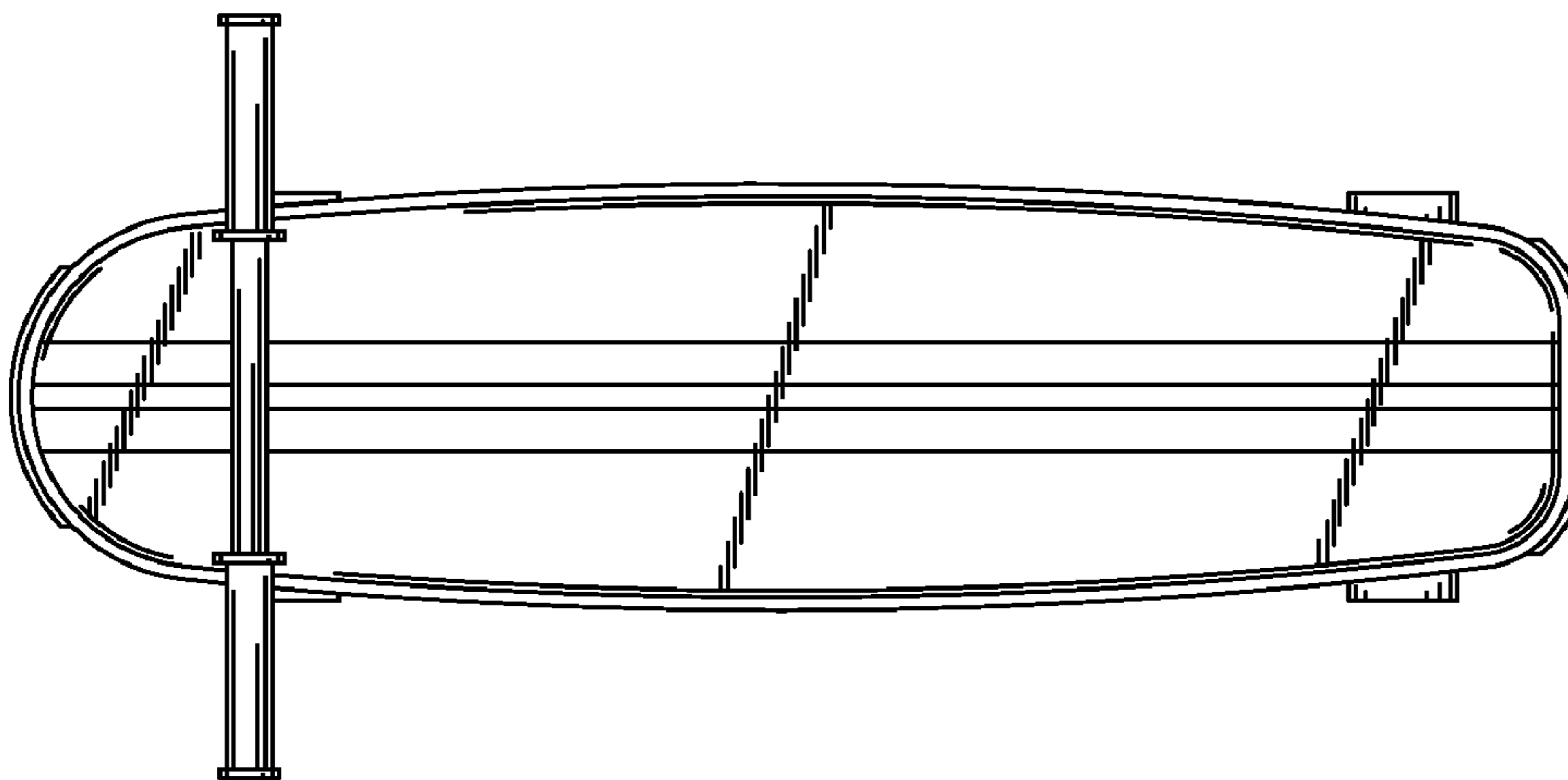


FIG. 6

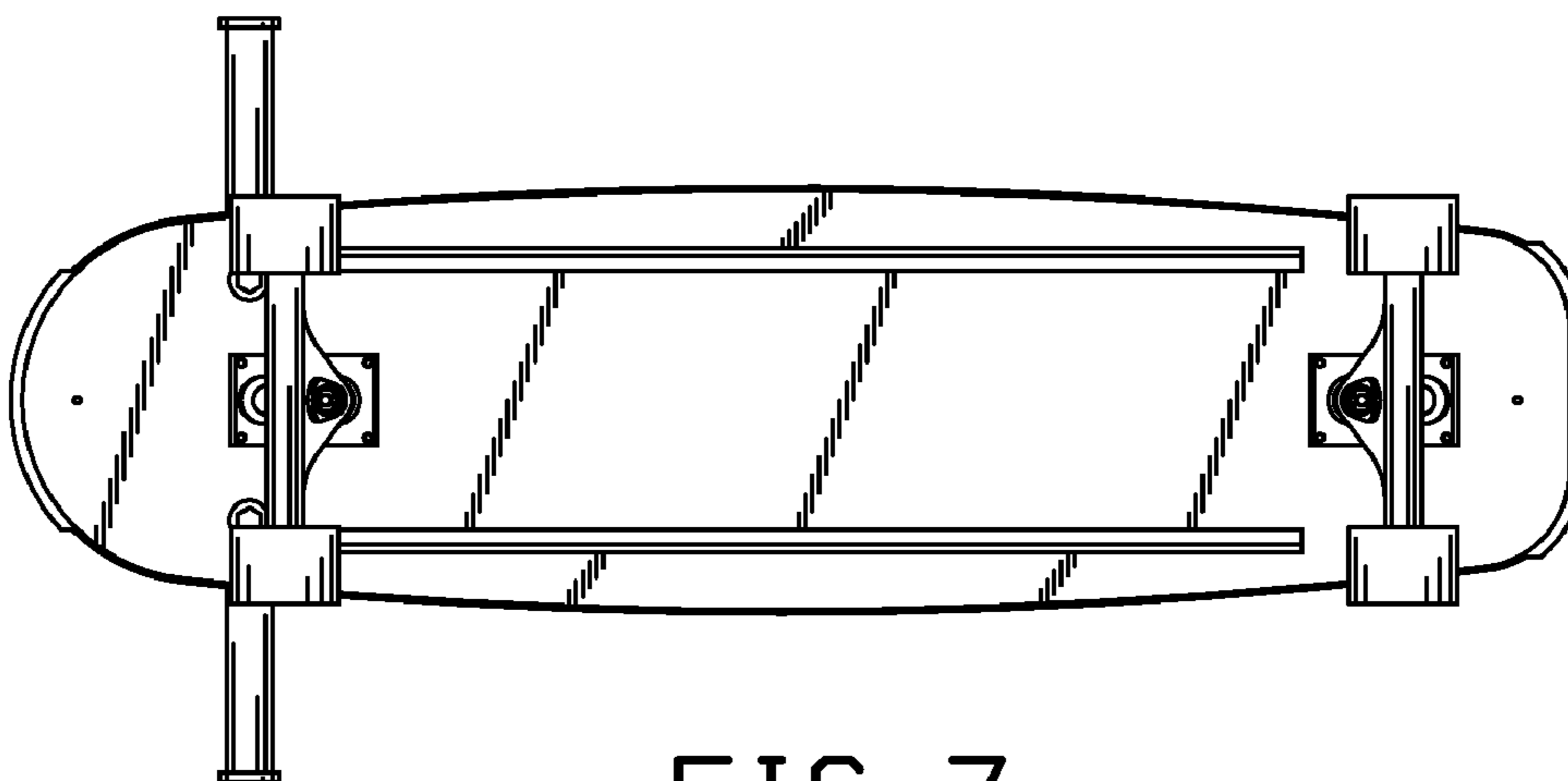


FIG. 7