

US00D635211S

(12) **United States Design Patent**  
**Evans**

(10) **Patent No.:** **US D635,211 S**

(45) **Date of Patent:** **\*\* Mar. 29, 2011**

(54) **GOLF CLUB HOSEL**

(75) **Inventor:** **D. Clayton Evans**, San Marcos, CA  
(US)

(73) **Assignee:** **Callaway Golf Company**, Carlsbad, CA  
(US)

(\*\*) **Term:** **14 Years**

(21) **Appl. No.:** **29/365,947**

(22) **Filed:** **Jul. 16, 2010**

(51) **LOC (9) Cl.** ..... **21-02**

(52) **U.S. Cl.** ..... **D21/759**

(58) **Field of Classification Search** ..... D21/733-753,  
D21/759; 473/324-331, 340-346, 350  
See application file for complete search history.

(56) **References Cited**

**U.S. PATENT DOCUMENTS**

D393,678 S *	4/1998	Jones et al.	.....	D21/759
D399,279 S *	10/1998	Jackson	.....	D21/753
D399,281 S *	10/1998	Allen	.....	D21/759
D401,655 S *	11/1998	Burrows	.....	D21/753
D422,327 S *	4/2000	Takaoka et al.	.....	D21/733

D434,822 S *	12/2000	Jacobson et al.	.....	D21/759
D438,922 S *	3/2001	Asabuki	.....	D21/733
D461,864 S *	8/2002	Blankenship	.....	D21/759
D529,112 S *	9/2006	Tang et al.	.....	D21/752

\* cited by examiner

*Primary Examiner* — Mitchell I Siegel

(74) *Attorney, Agent, or Firm* — Michael A. Catania;  
Rebecca Hanovice

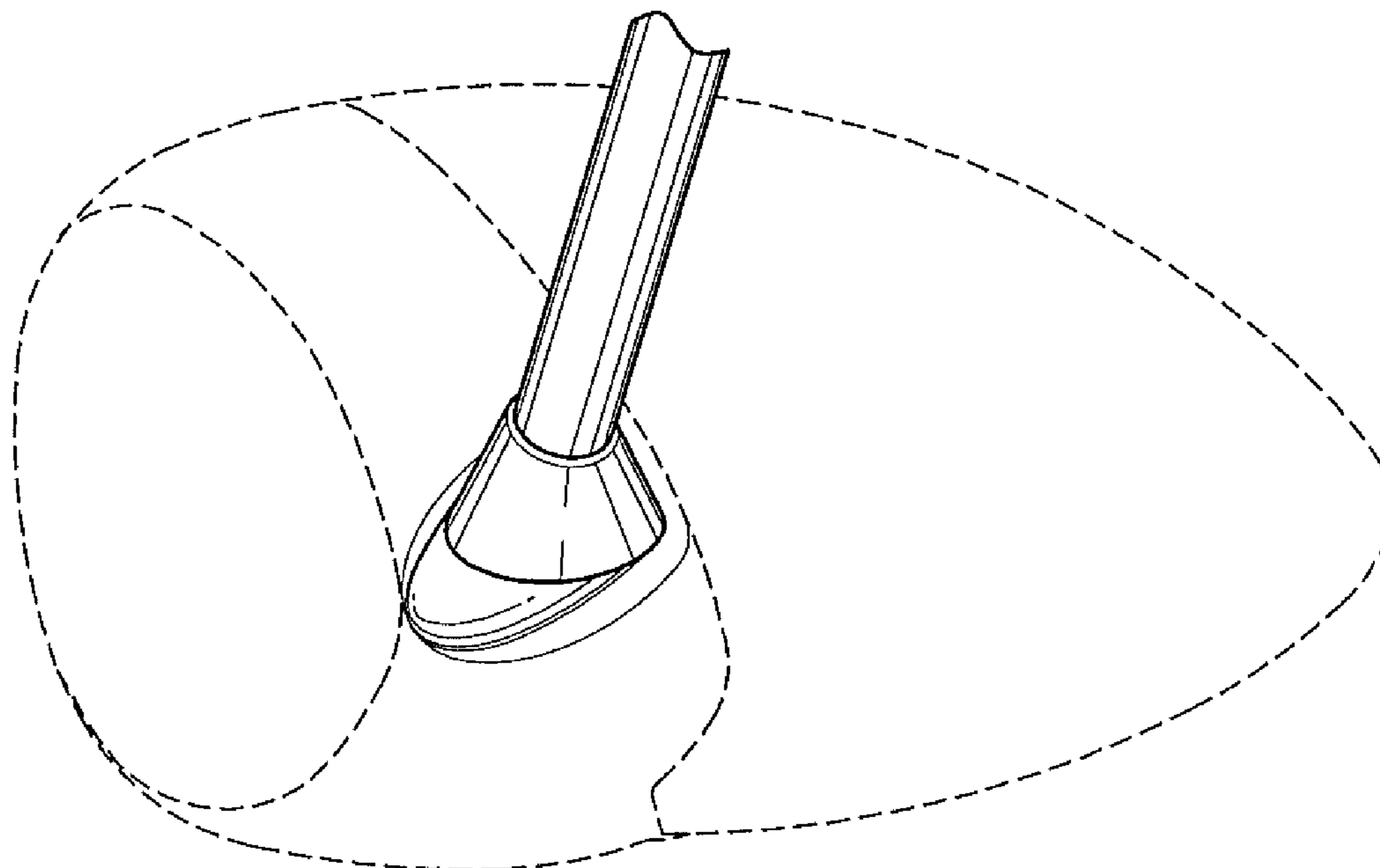
(57) **CLAIM**

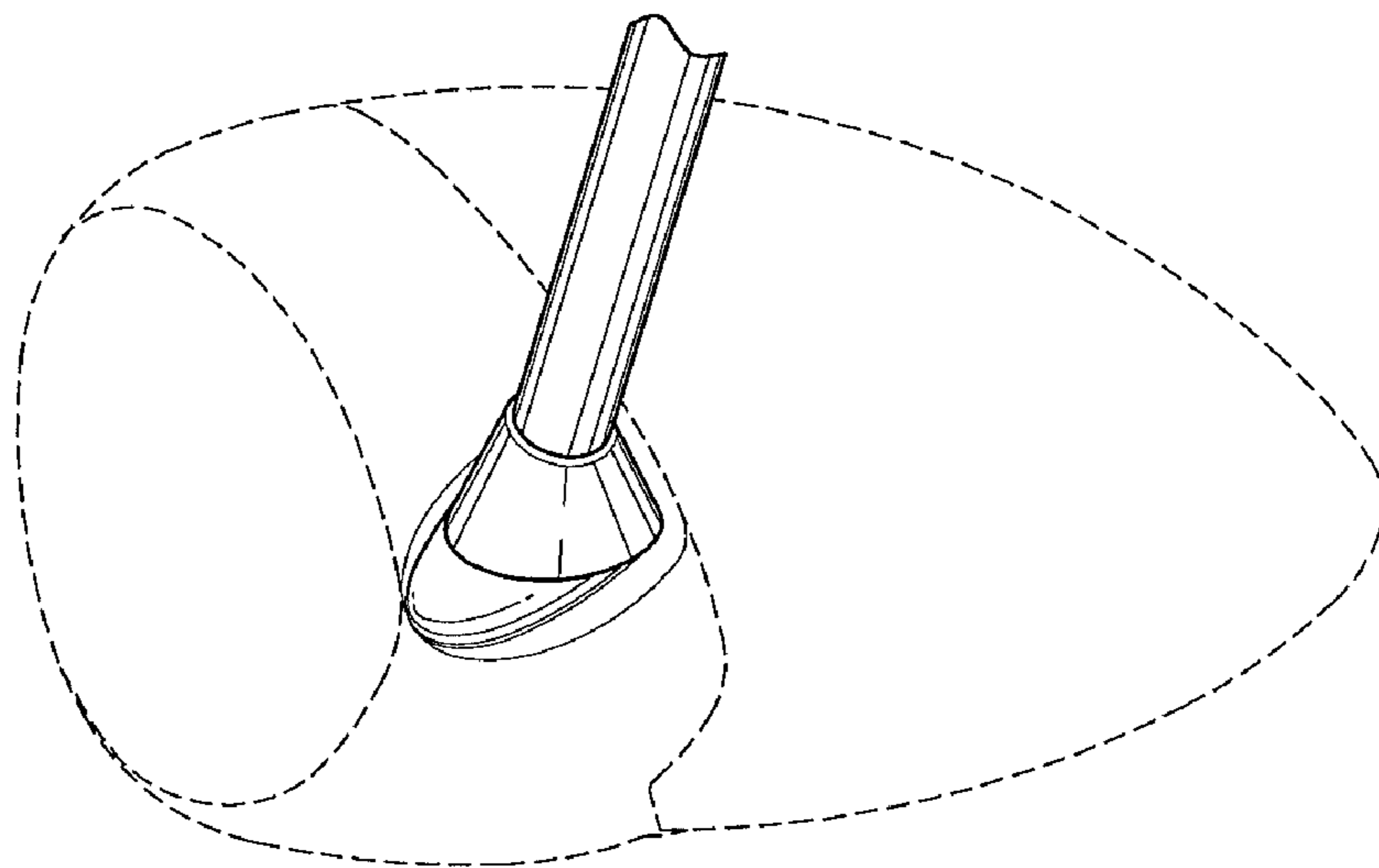
The ornamental design for a golf club hosel, as shown and described.

**DESCRIPTION**

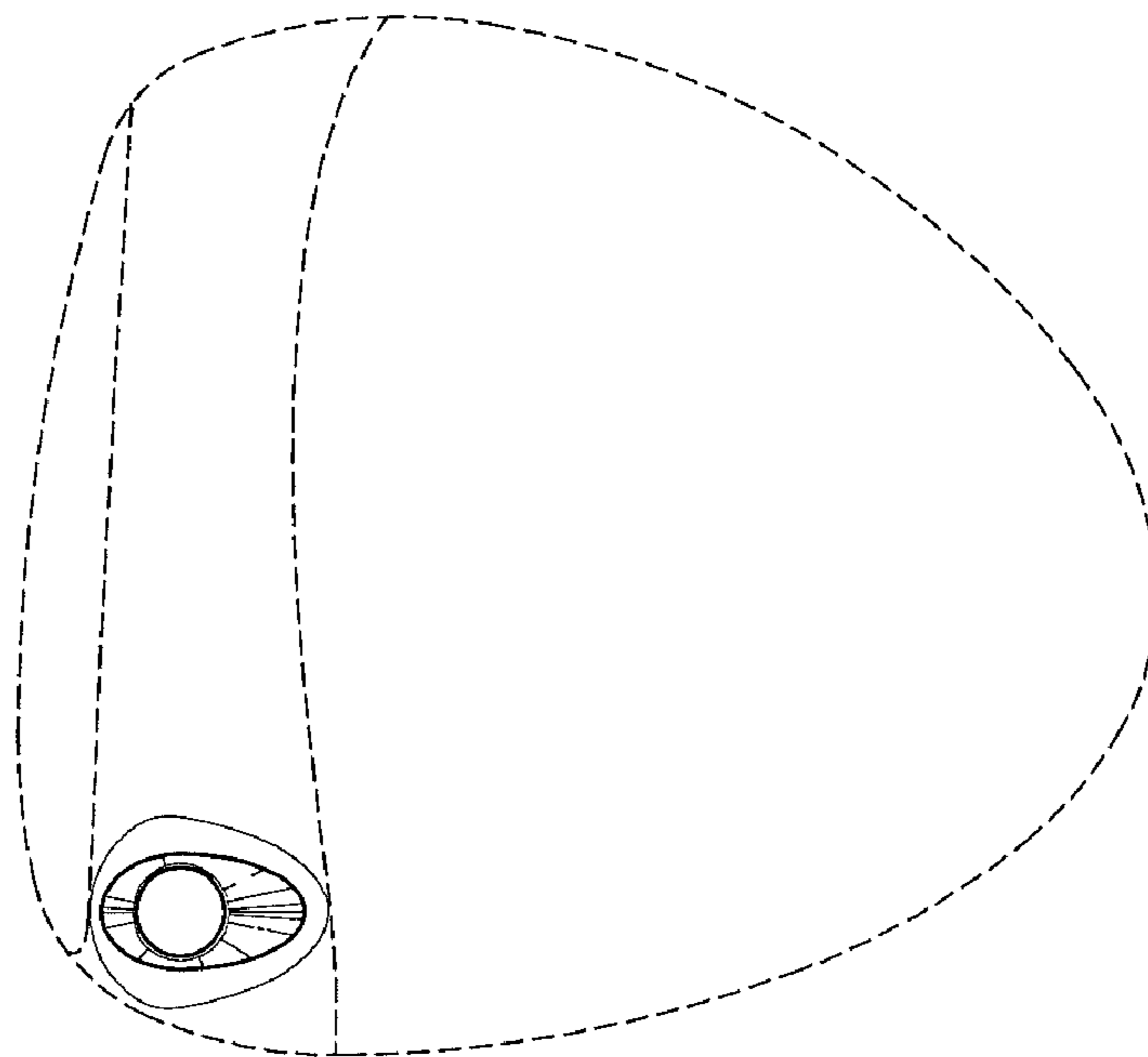
FIG. 1 is a top perspective view of a golf club hosel with a golf club head shown in broken lines; FIG. 2 is a top plan view thereof; FIG. 3 is a heel side view thereof; FIG. 4 is a toe side view thereof; FIG. 5 is a front elevational view thereof; and, FIG. 6 is a back elevational view thereof. The broken line showing is included for the purpose of illustrating and forms no part of the claimed design.

**1 Claim, 3 Drawing Sheets**

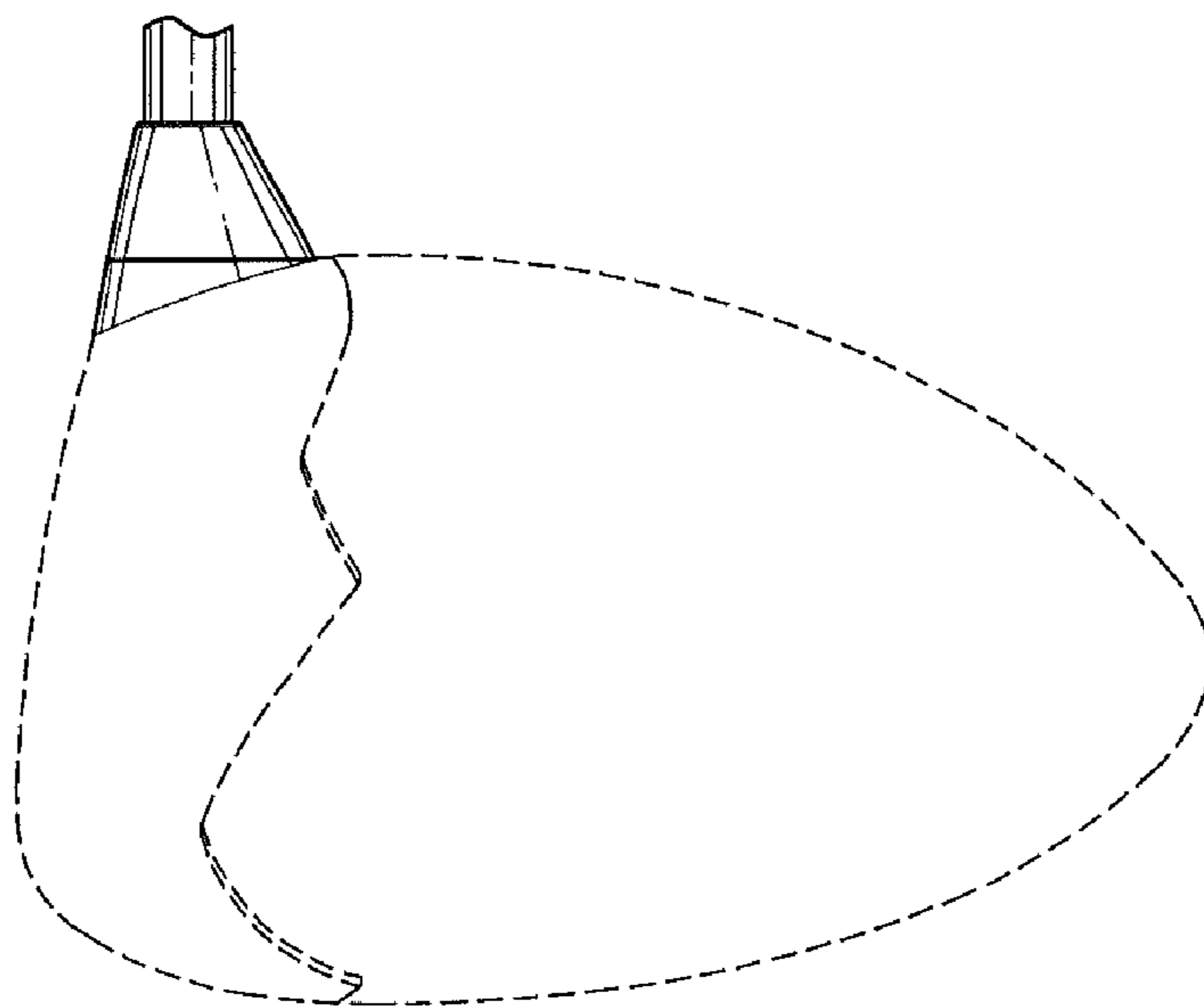




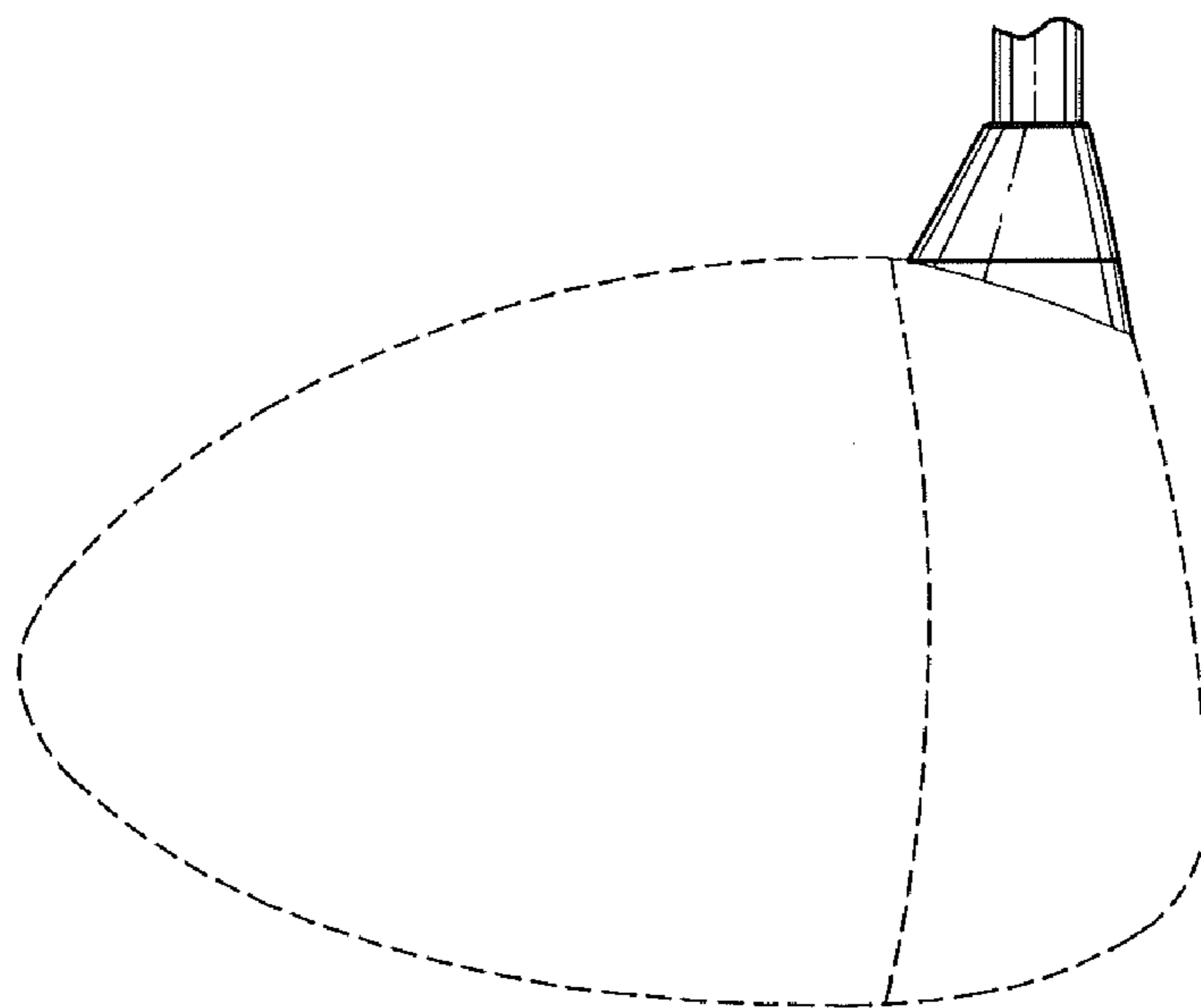
*FIG. 1*



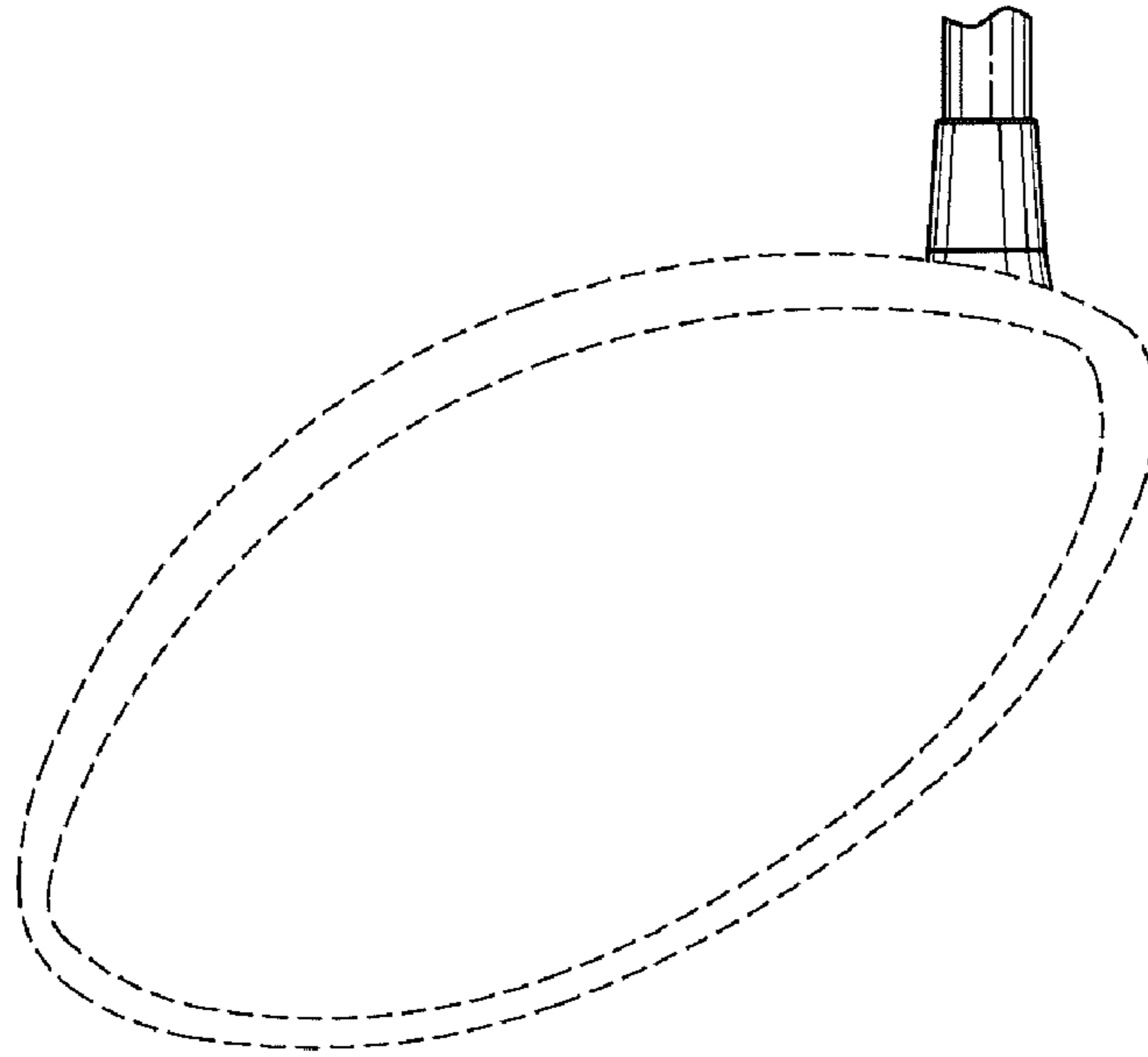
*FIG. 2*



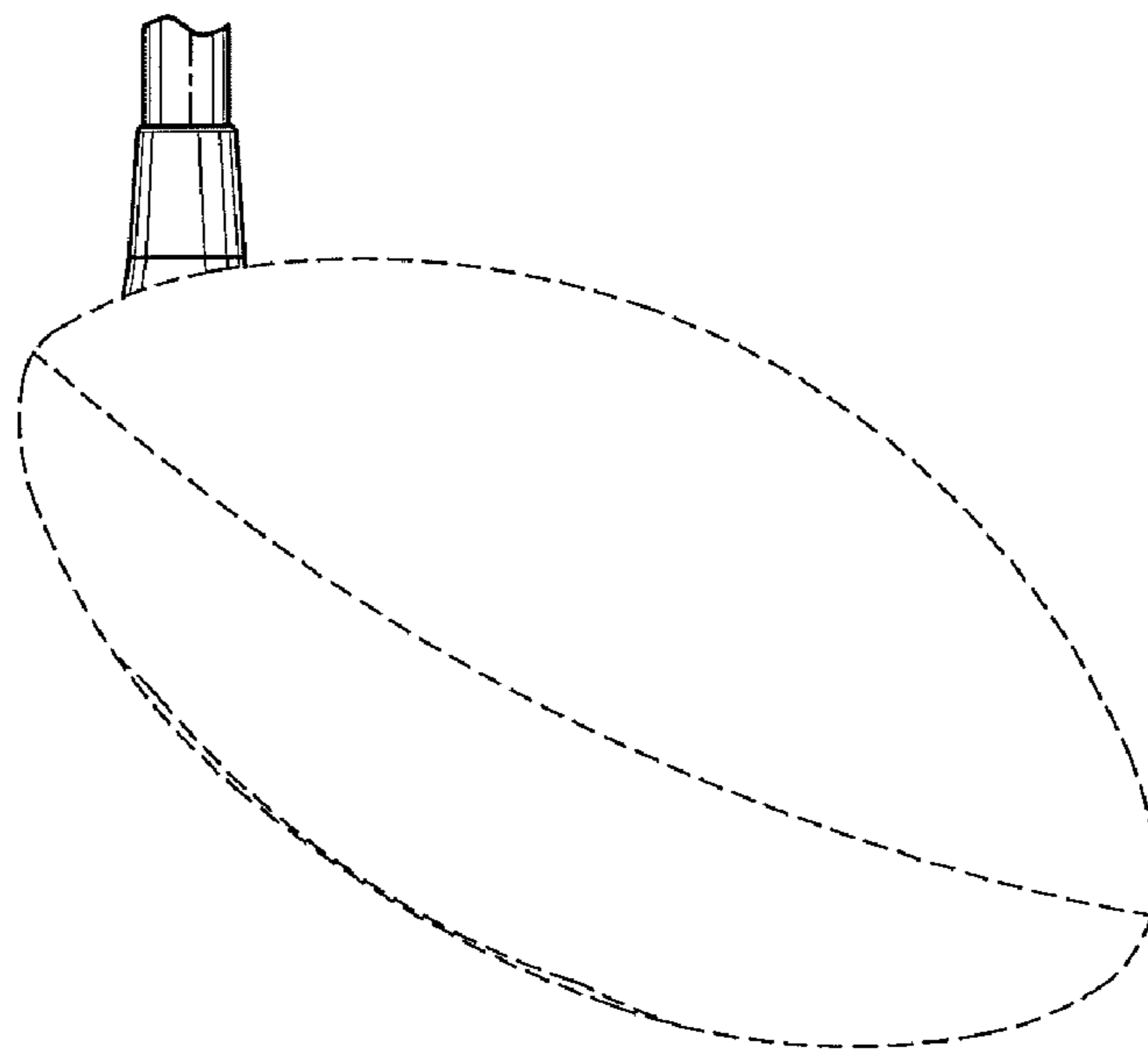
*FIG. 3*



*FIG. 4*



*FIG. 5*



*FIG. 6*