



US00D635208S

(12) **United States Design Patent**
Staten et al.

(10) **Patent No.:** **US D635,208 S**
(45) **Date of Patent:** **** Mar. 29, 2011**

(54) **NECK YOKE FOR AN EXERCISE MACHINE**

(75) Inventors: **Kenneth Edward Staten**, Clare, MI
(US); **Zachary Jason Loucks**, Mt.
Pleasant, MI (US)

(73) Assignee: **Rogers Athletic Company**, Clare, MI
(US)

(**) Term: **14 Years**

(21) Appl. No.: **29/336,465**

(22) Filed: **May 4, 2009**

(51) **LOC (9) Cl.** **21-02**

(52) **U.S. Cl.** **D21/694**

(58) **Field of Classification Search** D21/662,
D21/673-676, 686, 690-691, 694; 482/4,
482/96, 98, 100, 134, 135, 140, 142, 144-145
See application file for complete search history.

(56) **References Cited**

U.S. PATENT DOCUMENTS

4,872,670 A * 10/1989 Nichols 482/135
5,070,863 A * 12/1991 McArthur et al. 601/26
5,269,738 A * 12/1993 Boren 482/134

5,421,796 A * 6/1995 Jones et al. 482/100
5,529,558 A * 6/1996 Koenig 482/97
6,004,246 A * 12/1999 Sencil 482/96
7,357,759 B2 * 4/2008 Bonnell 482/72
7,708,675 B2 * 5/2010 Miskech 482/142
2008/0085822 A1 * 4/2008 Webb et al. 482/140
2008/0261786 A1 * 10/2008 Laramore 482/124

* cited by examiner

Primary Examiner — Philip S Hyder

Assistant Examiner — Susan E Krakower

(74) *Attorney, Agent, or Firm* — Carlson Gaskey & Olds PC

(57) **CLAIM**

We claim the ornamental design for a neck yoke for an exercise machine, as shown and described.

DESCRIPTION

FIG. 1 is a perspective view of a neck yoke for an exercise machine showing our new design;

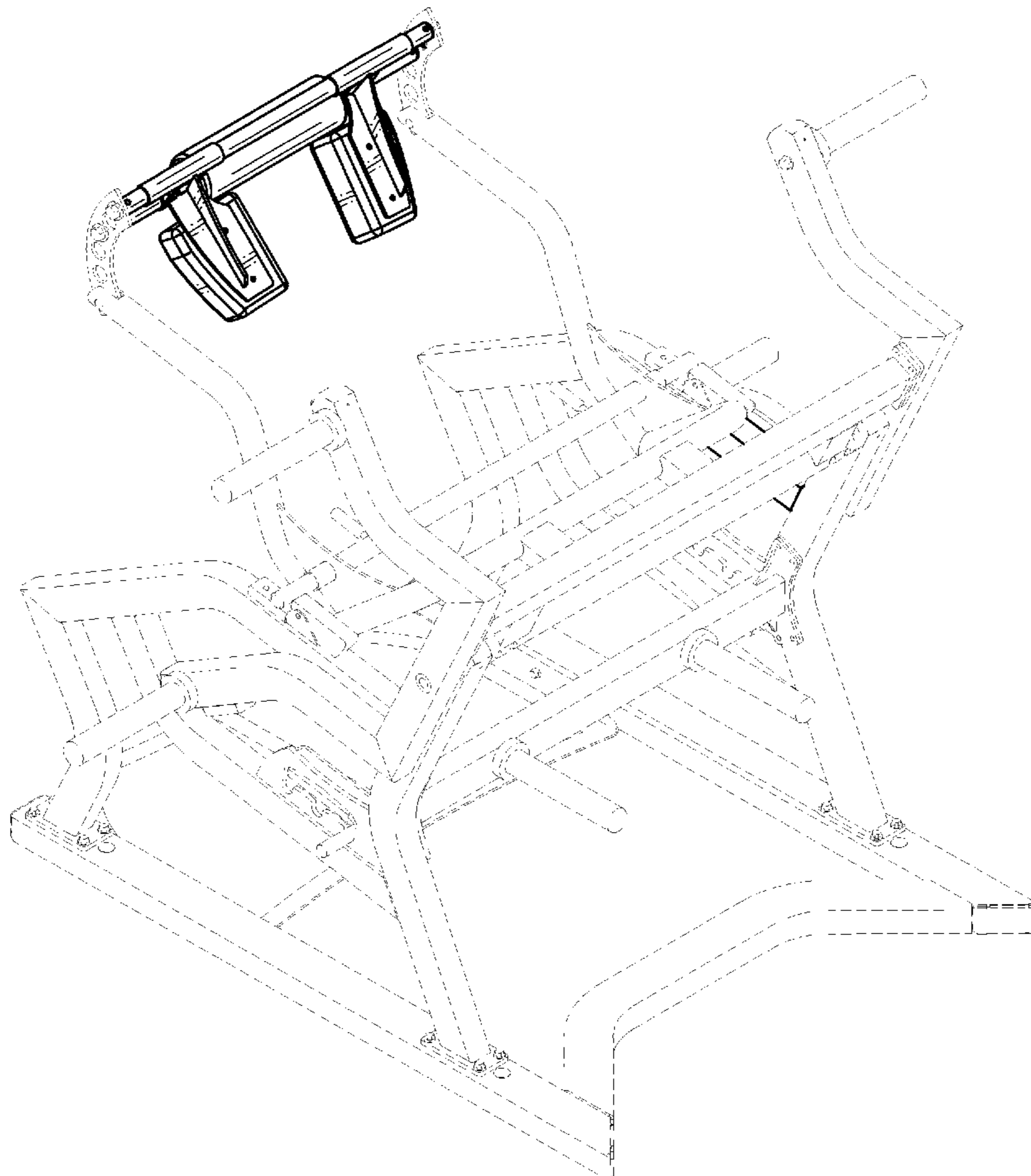
FIG. 2 is a side view thereof;

FIG. 3 is a top view thereof; and,

FIG. 4 is a front view thereof.

The broken lines in the drawings represent environmental subject matter and form no part of the claimed design.

1 Claim, 2 Drawing Sheets



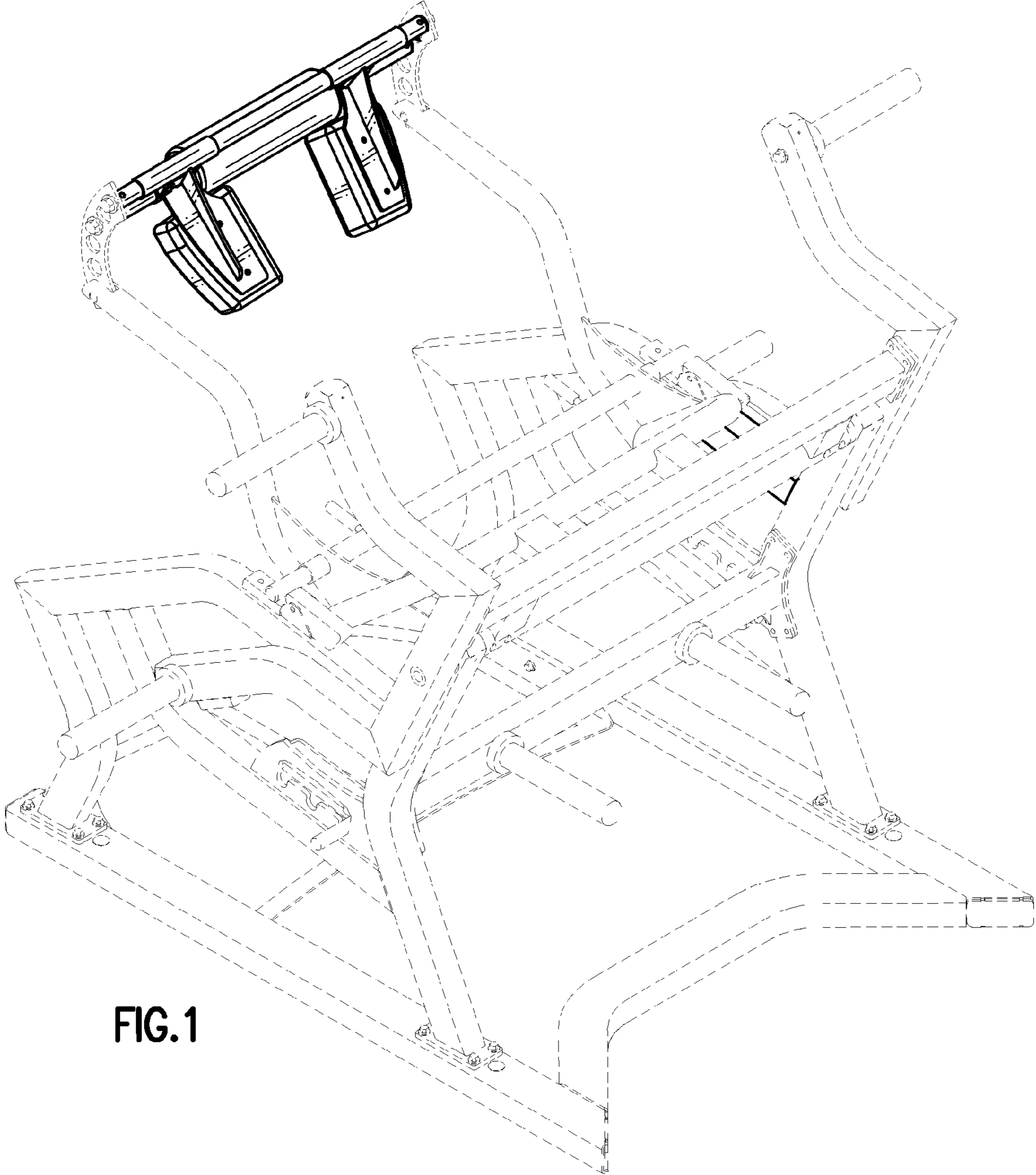


FIG. 1

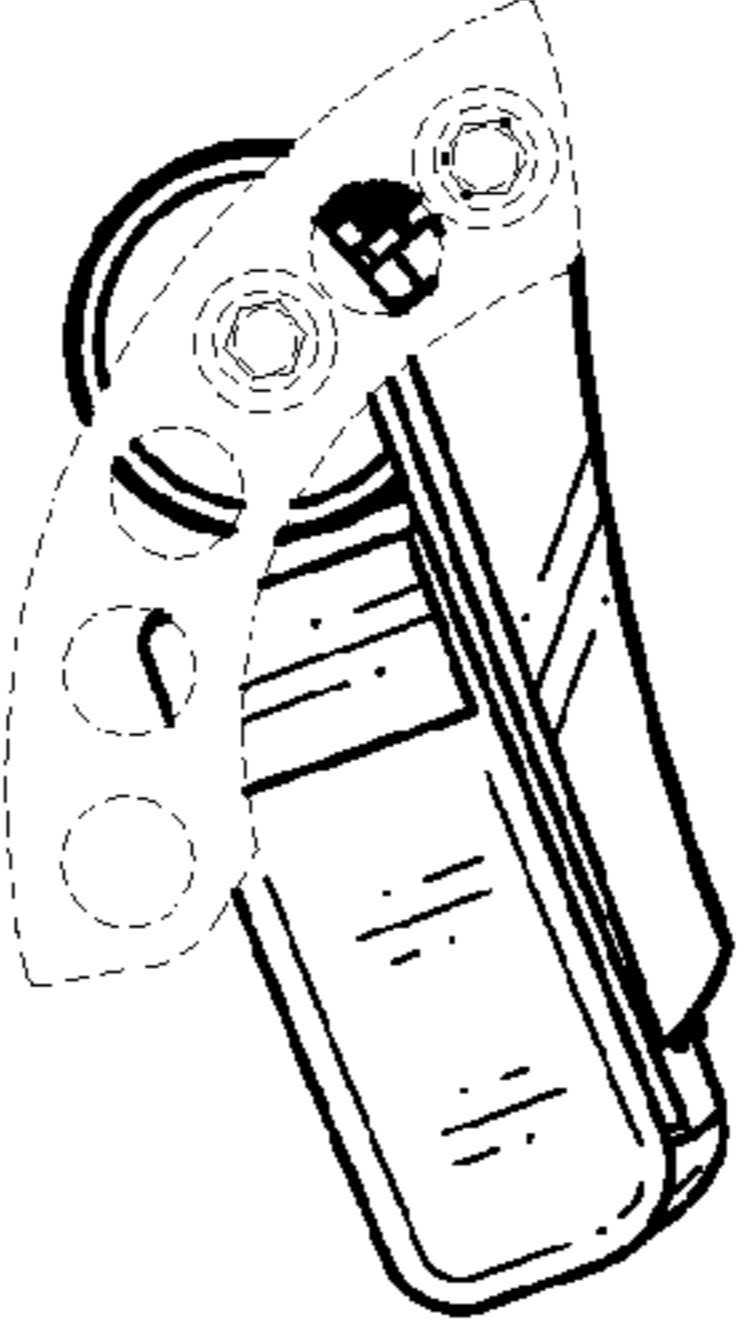


FIG. 2

FIG.3

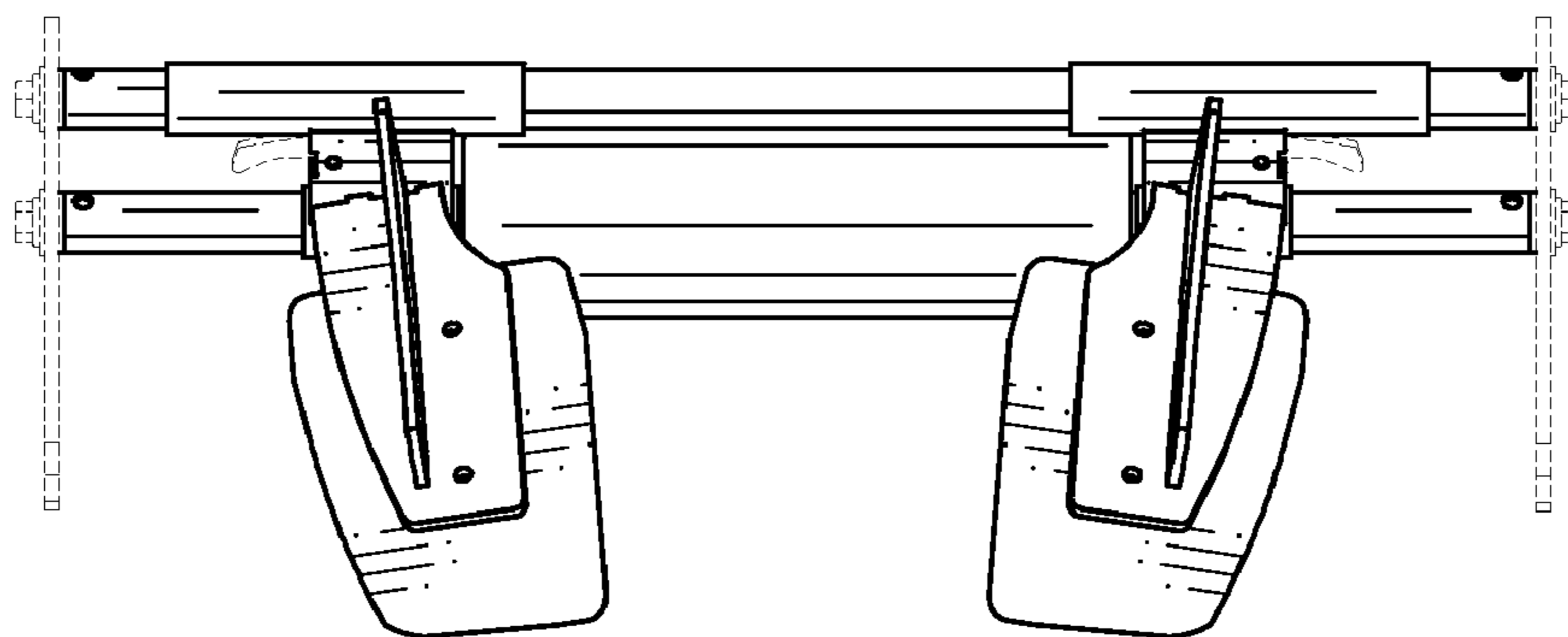
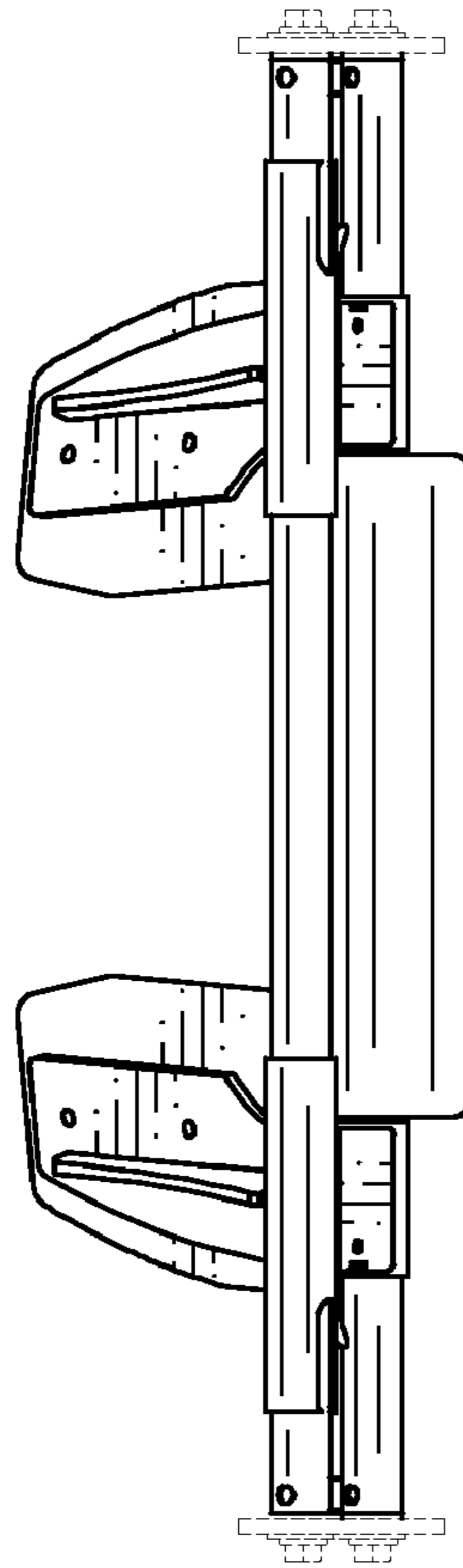


FIG.4