



US00D635207S

(12) **United States Design Patent**
Dalebout et al.

(10) **Patent No.:** **US D635,207 S**
(45) **Date of Patent:** **** Mar. 29, 2011**

(54) **RESILIENT ELONGATED BODY EXERCISE DEVICE**

(75) Inventors: **William T. Dalebout**, Logan, UT (US);
Jared R. Willardson, Smithfield, UT (US);
Jaremy T. Butler, Paradise, UT (US)

(73) Assignee: **Icon IP, Inc.**, Logan, UT (US)

(**) Term: **14 Years**

(21) Appl. No.: **29/354,060**

(22) Filed: **Jan. 19, 2010**

(51) **LOC (9) Cl.** **21-02**

(52) **U.S. Cl.** **D21/692**

(58) **Field of Classification Search** D21/662,
D21/679, 692, 693, 694; 482/91, 111–112,
482/121–122, 125–126, 128–129
See application file for complete search history.

(56) **References Cited**

U.S. PATENT DOCUMENTS

652,617	A *	6/1900	Hotz	482/126
1,539,569	A *	5/1925	Hubert	482/125
1,870,750	A *	8/1932	Reach	482/126
3,759,514	A *	9/1973	Cox	482/126
4,211,404	A *	7/1980	Blowsky et al.	482/128
4,428,577	A	1/1984	Weingardt		
5,005,832	A	4/1991	Van Der Hoeven		
D328,320	S *	7/1992	Hliang	D21/692
5,735,780	A *	4/1998	Fazio et al.	482/112
5,993,357	A	11/1999	Tom et al.		

D441,413	S *	5/2001	Cataldi, Jr. et al.	D21/692
D499,775	S *	12/2004	Potak et al.	D21/692
6,921,357	B2 *	7/2005	Basting	482/121
7,798,945	B2 *	9/2010	Ko	482/126
2002/0193212	A1 *	12/2002	Wu	482/91
2005/0085355	A1 *	4/2005	Berard	482/126
2006/0073954	A1 *	4/2006	Block et al.	482/121
2007/0037678	A1 *	2/2007	Schaefer et al.	482/121
2010/0069207	A1 *	3/2010	Ko	482/126

* cited by examiner

Primary Examiner — Susan E Krakower

(74) *Attorney, Agent, or Firm* — Workman Nydegger

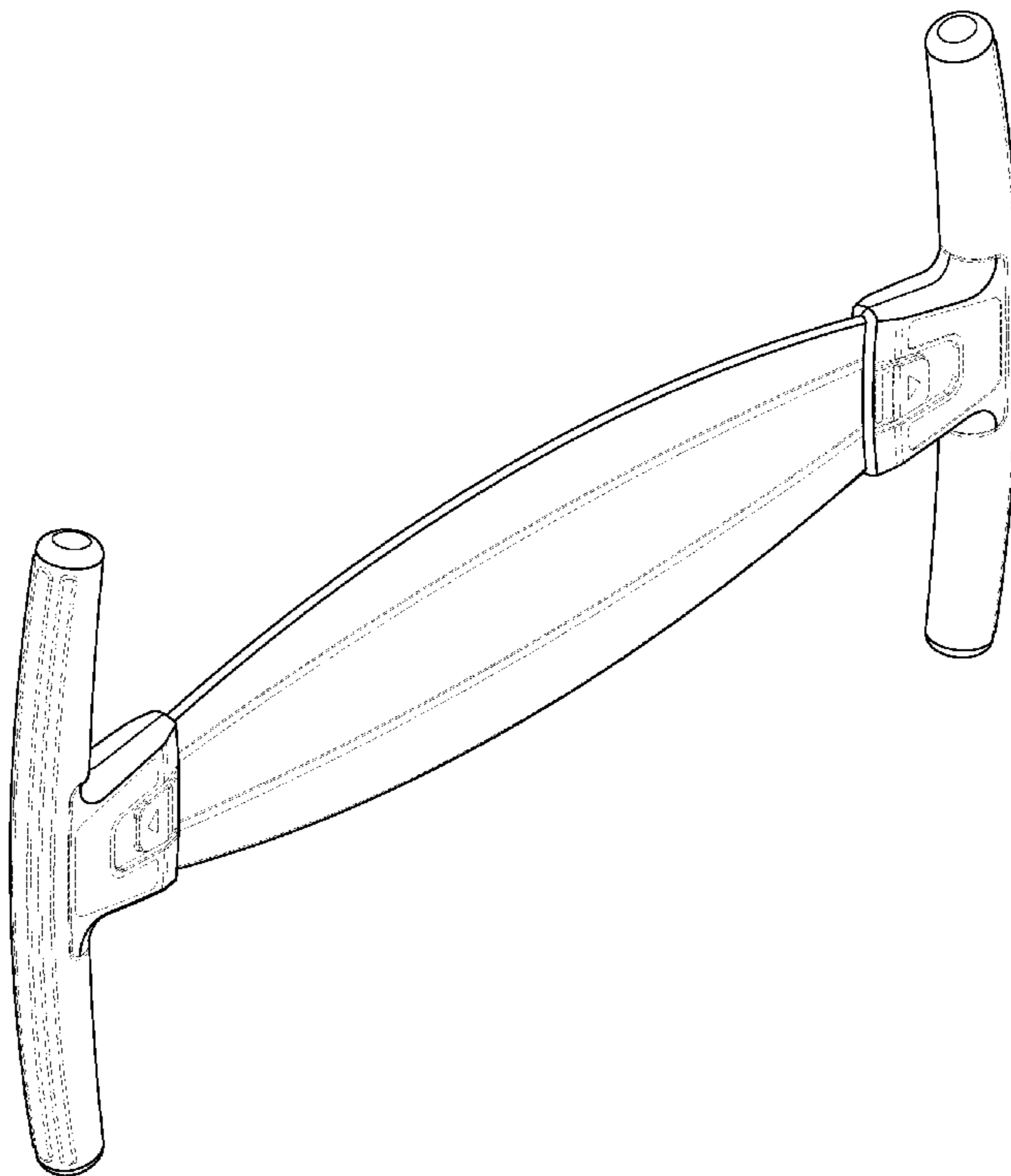
(57) **CLAIM**

The ornamental design for a resilient elongated body exercise device, as shown and described.

DESCRIPTION

FIG. 1 is a left perspective view of a resilient elongated body exercise device of the present invention;
FIG. 2 is a right perspective view of the exercise device of FIG. 1;
FIG. 3 is a top view of the exercise device of FIG. 1;
FIG. 4 is a left side view of the exercise device of FIG. 1;
FIG. 5 is a right side view of the exercise device of FIG. 1;
FIG. 6 is an end view of the exercise device of FIG. 1;
FIG. 7 is an opposing end view of the exercise device of FIG. 1; and,
FIG. 8 is a bottom view of the exercise device of FIG. 1.
The broken, phantom lines shown form portions of the design that are not claimed.

1 Claim, 4 Drawing Sheets



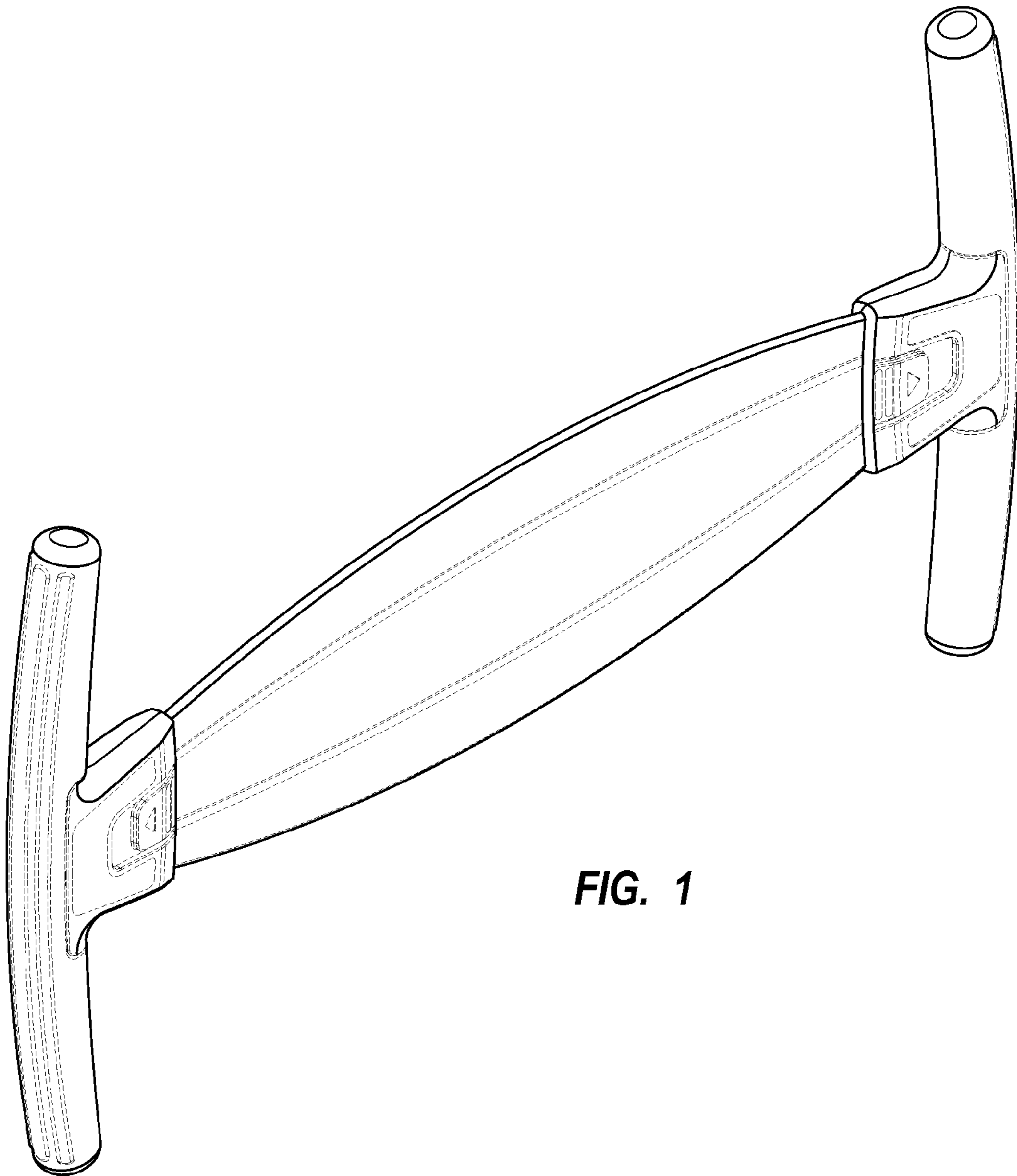


FIG. 1

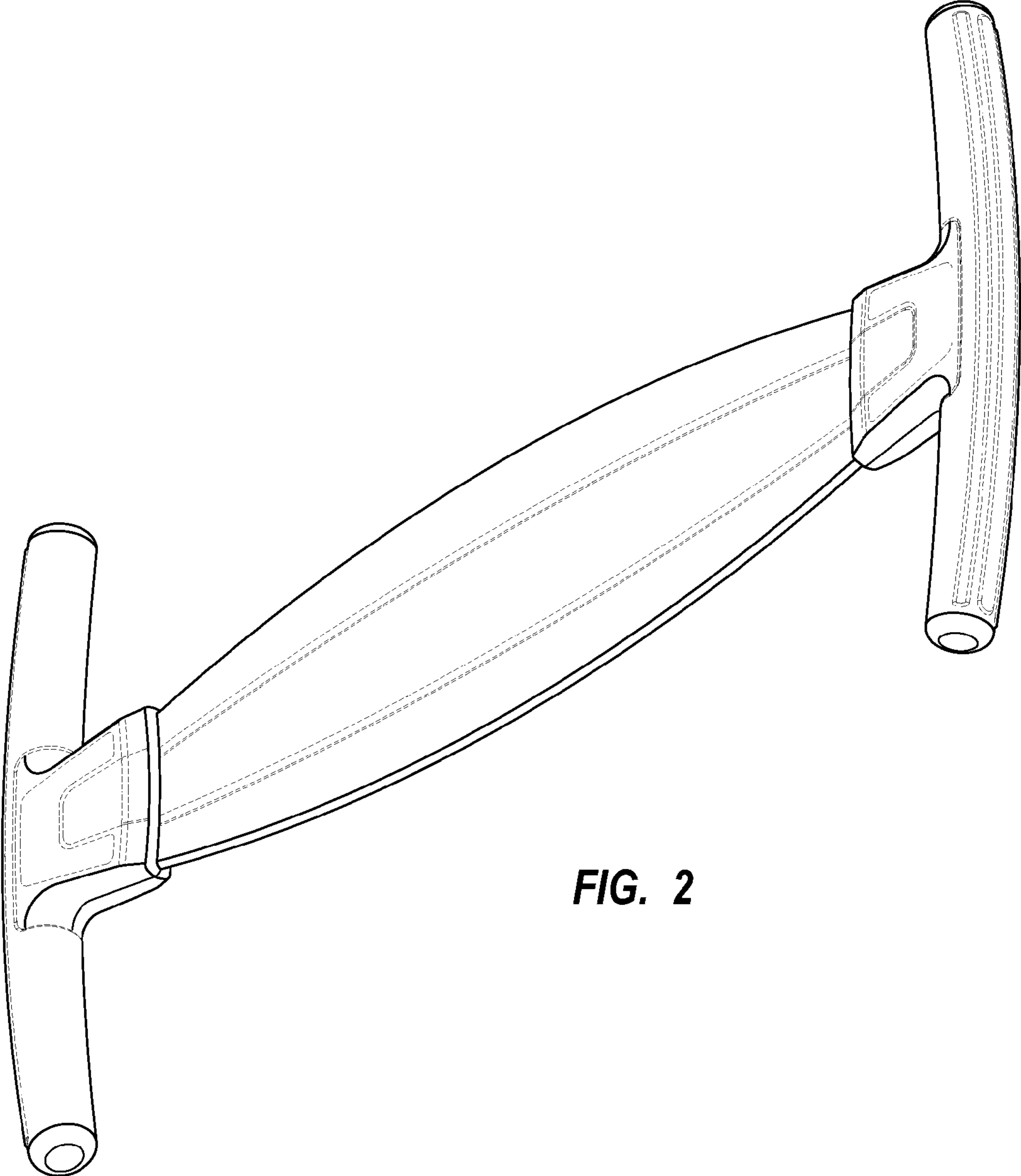
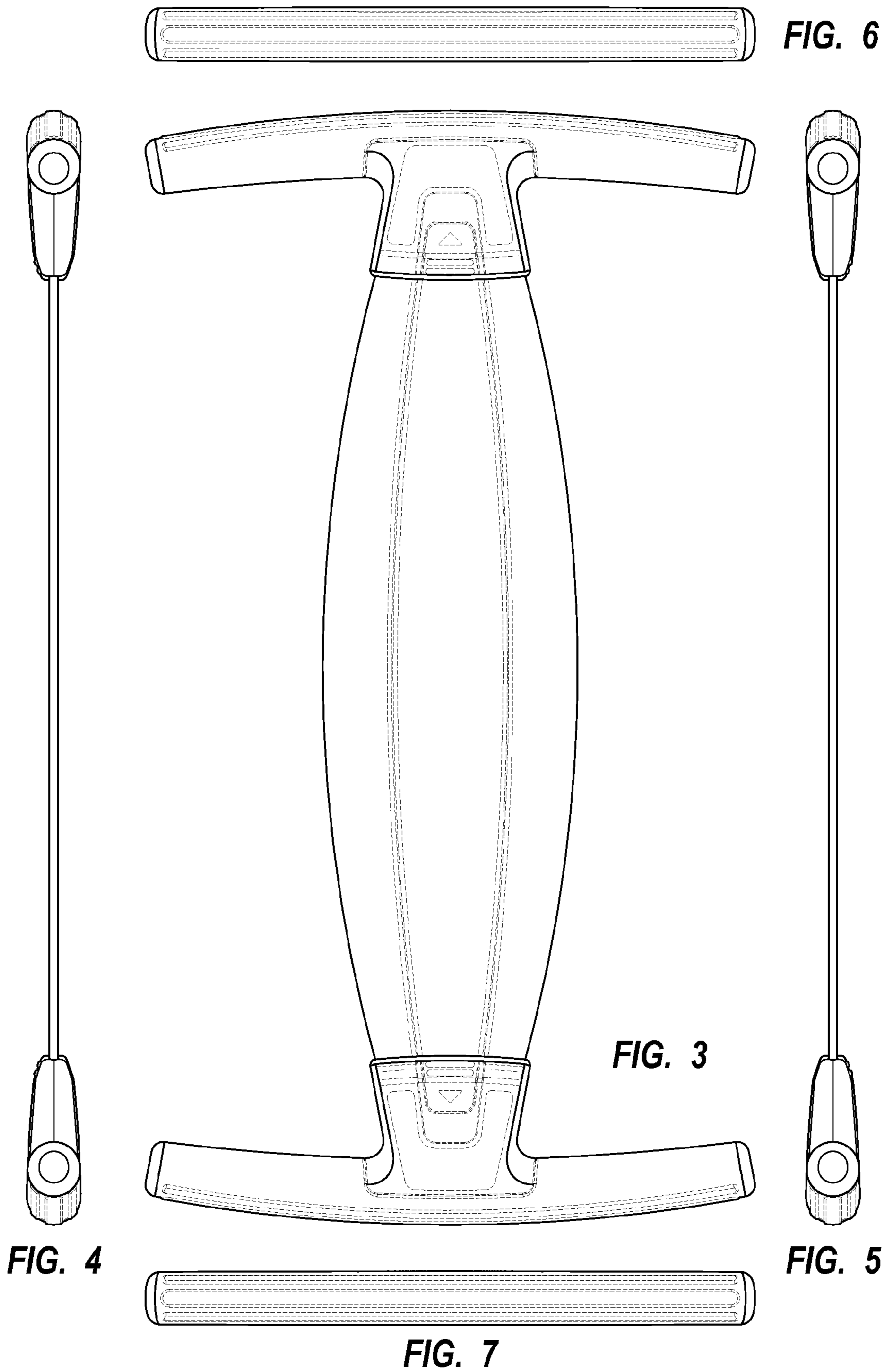


FIG. 2



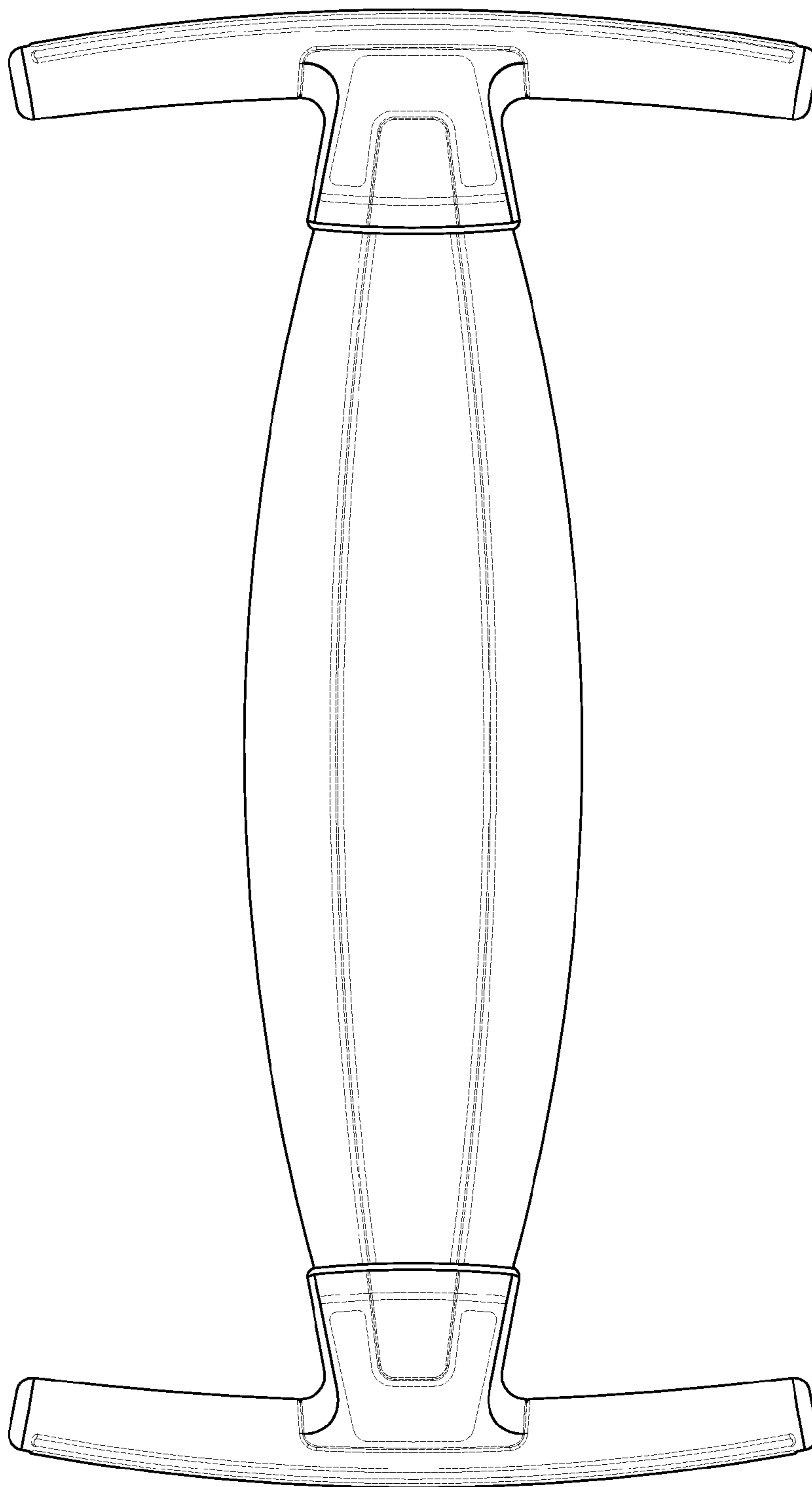


FIG. 8