



US00D635205S

(12) **United States Design Patent**  
**Thulin**

(10) **Patent No.:** **US D635,205 S**  
(45) **Date of Patent:** **\*\* Mar. 29, 2011**

(54) **LEG PRESS**

(76) Inventor: **Mats Thulin**, Lidingo (SE)

(\*\*) Term: **14 Years**

(21) Appl. No.: **29/357,323**

(22) Filed: **Mar. 10, 2010**

(51) **LOC (9) Cl.** ..... **21-02**

(52) **U.S. Cl.** ..... **D21/676**

(58) **Field of Classification Search** ..... D21/662,  
D21/673-676, 686, 690-691; 482/96-97,  
482/99-100, 112, 123, 130-131, 135, 137-138,  
482/140-142, 148

See application file for complete search history.

(56) **References Cited**

U.S. PATENT DOCUMENTS

|           |      |         |                       |         |
|-----------|------|---------|-----------------------|---------|
| 5,366,432 | A *  | 11/1994 | Habing et al. ....    | 482/138 |
| D357,955  | S *  | 5/1995  | Wilson .....          | D21/690 |
| 5,616,107 | A *  | 4/1997  | Simonson .....        | 482/97  |
| D431,615  | S *  | 10/2000 | Webber et al. ....    | D21/675 |
| D438,578  | S *  | 3/2001  | Kuo .....             | D21/690 |
| D438,918  | S *  | 3/2001  | Batca et al. ....     | D21/676 |
| D481,428  | S *  | 10/2003 | Giannelli et al. .... | D21/675 |
| 6,676,577 | B2 * | 1/2004  | Stearns .....         | 482/142 |
| 6,743,158 | B2 * | 6/2004  | Giannelli et al. .... | 482/96  |
| D513,291  | S *  | 12/2005 | Panatta .....         | D21/676 |

|              |      |        |                    |         |
|--------------|------|--------|--------------------|---------|
| 7,070,545    | B2 * | 7/2006 | Lull et al. ....   | 482/100 |
| 7,794,372    | B1 * | 9/2010 | Webber et al. .... | 482/100 |
| 2004/0009857 | A1 * | 1/2004 | Webb et al. ....   | 482/100 |

FOREIGN PATENT DOCUMENTS

EM 001102800 3/2009

\* cited by examiner

*Primary Examiner* — Philip S Hyder

*Assistant Examiner* — Susan E Krakower

(74) *Attorney, Agent, or Firm* — Young & Thompson

(57) **CLAIM**

The ornamental design for a leg press, as shown and described.

**DESCRIPTION**

FIG. 1 is a front, right side and top perspective view of a leg press showing my new design;

FIG. 2 is a front elevational view thereof;

FIG. 3 is a rear elevational view thereof;

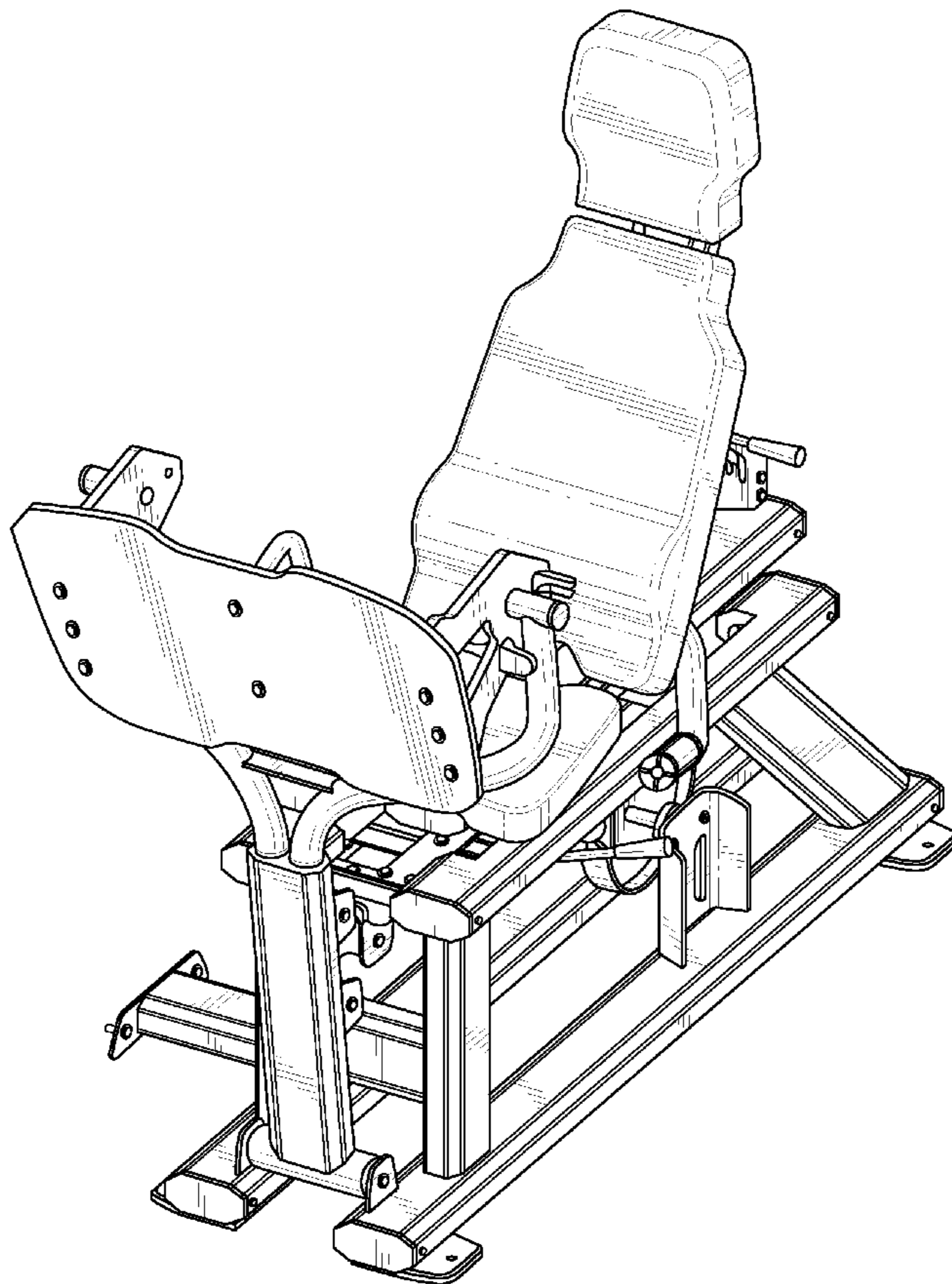
FIG. 4 is a left side elevational view thereof; and,

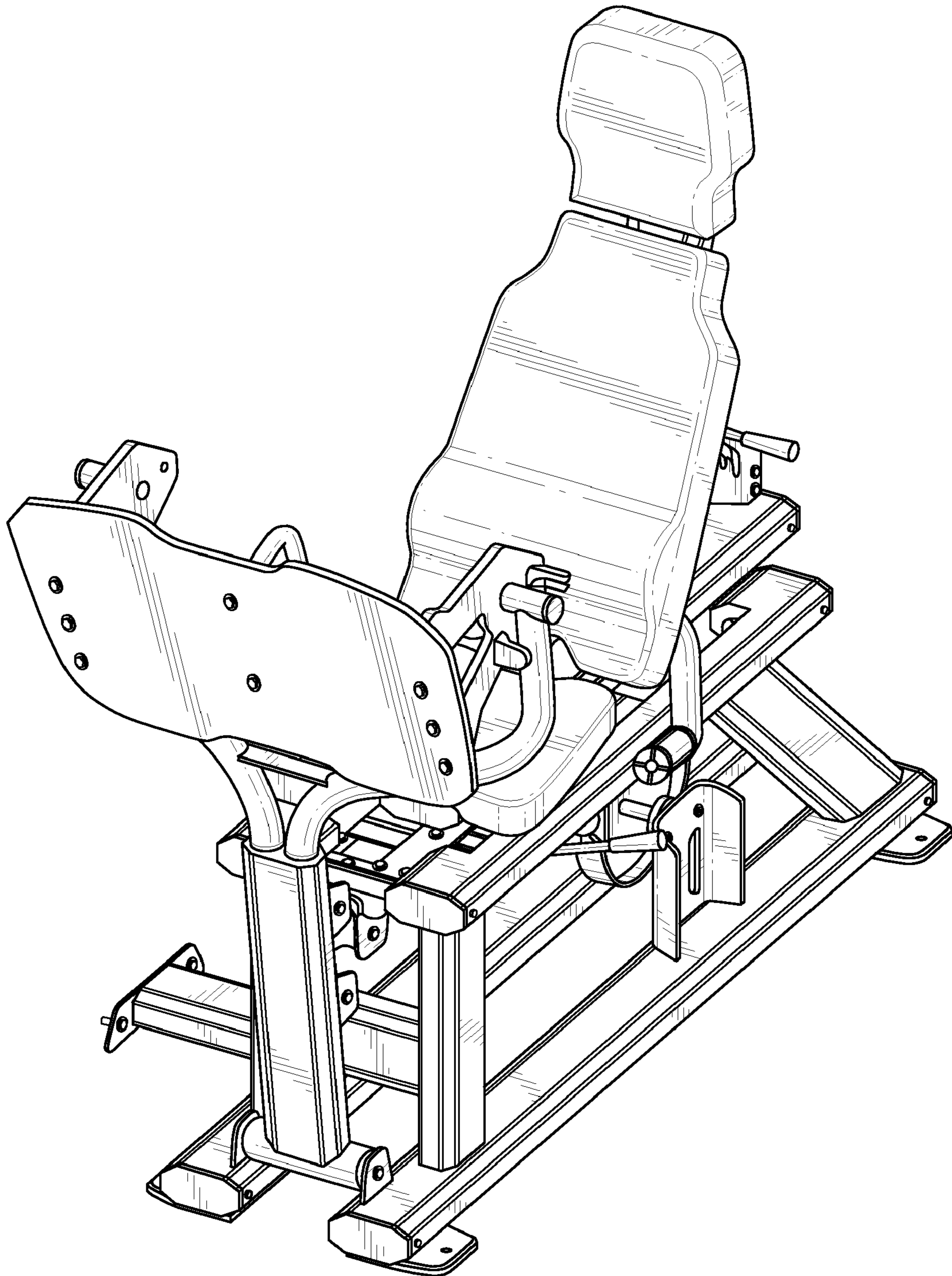
FIG. 5 is a right side elevational view thereof.

The appearance of the leg press from the underside is not part of the claimed design.

The broken lines illustrate environmental portions of the leg press and form no part of the claimed design.

**1 Claim, 5 Drawing Sheets**





*FIG. 1*

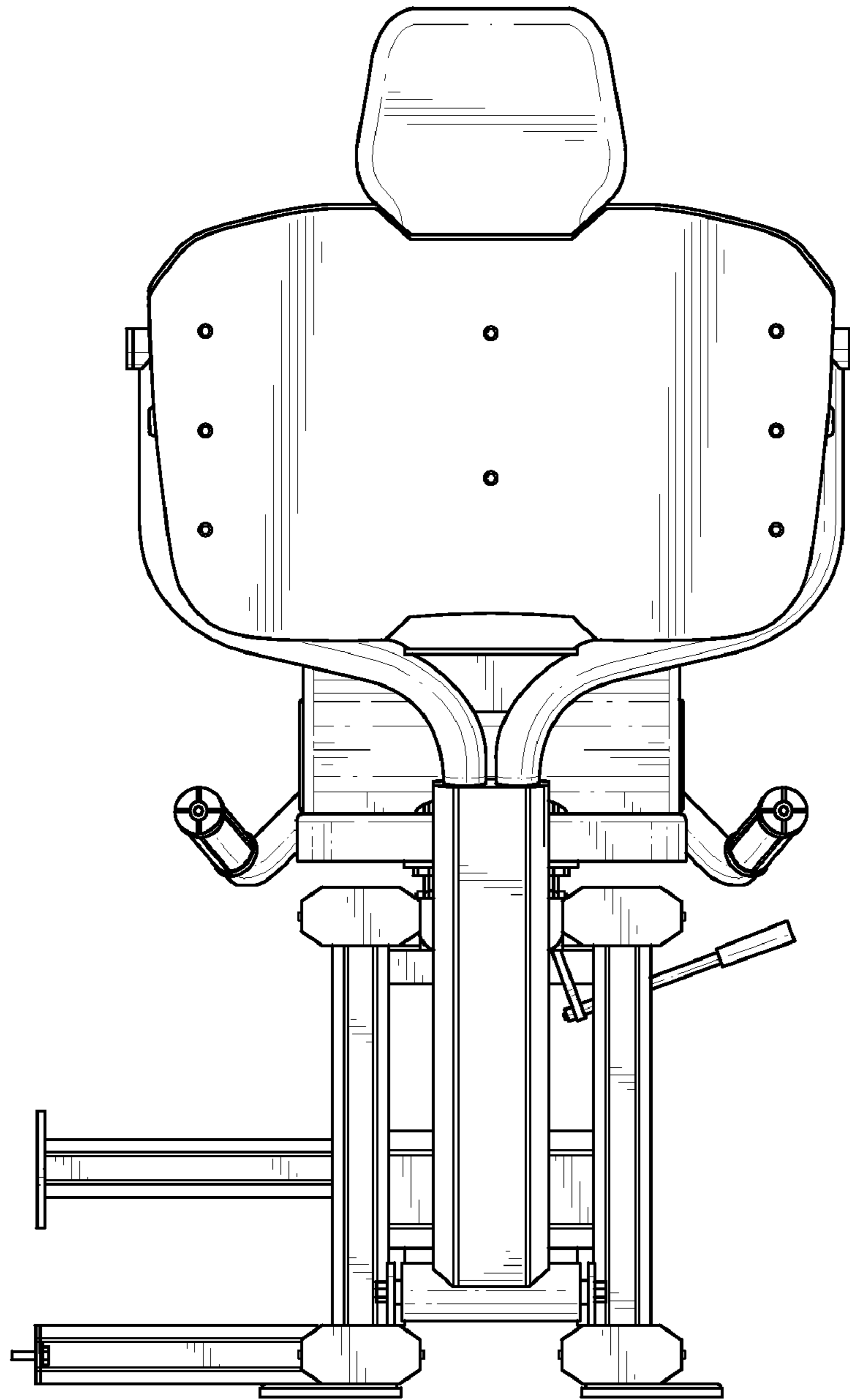
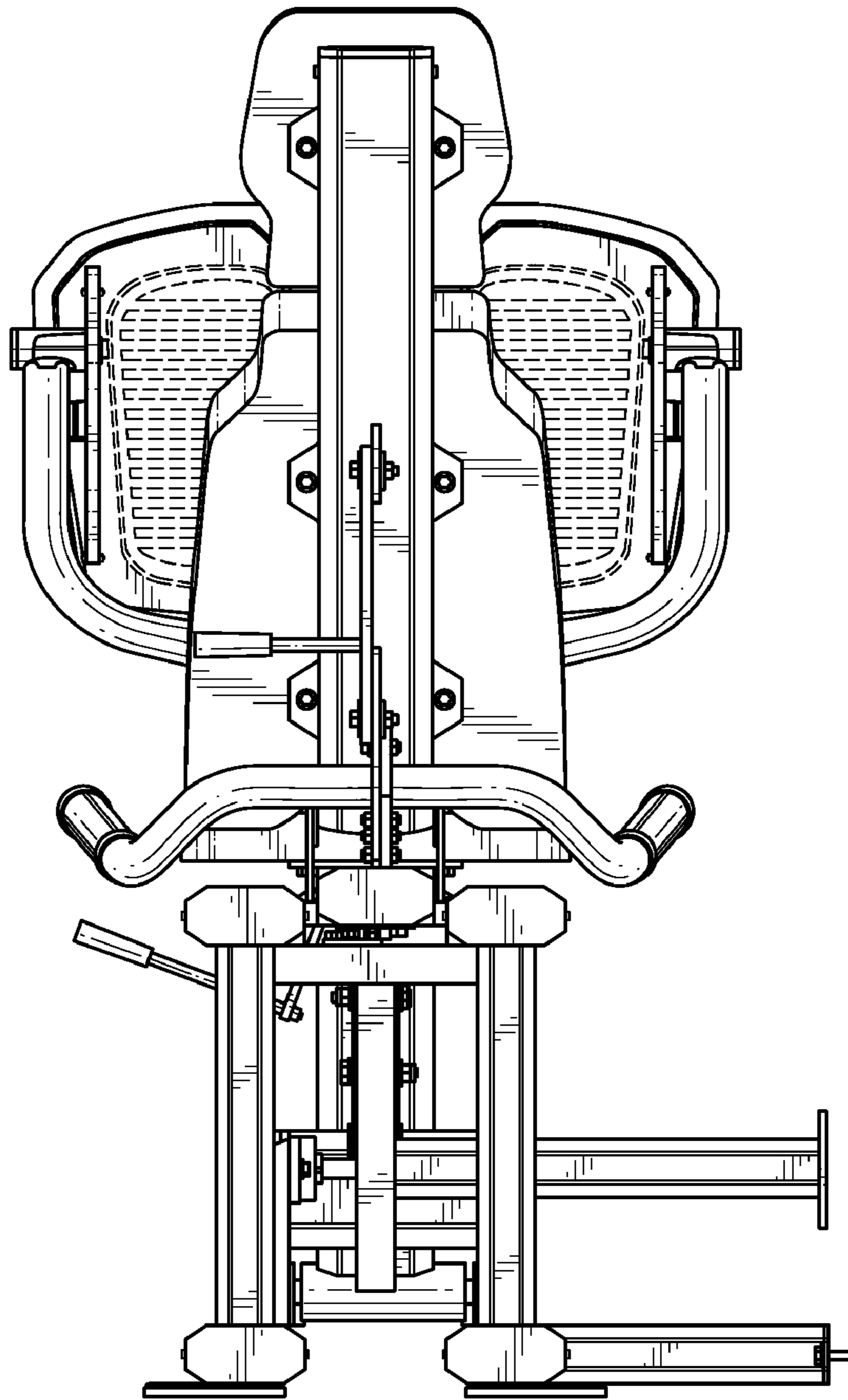


FIG. 2



*FIG. 3*

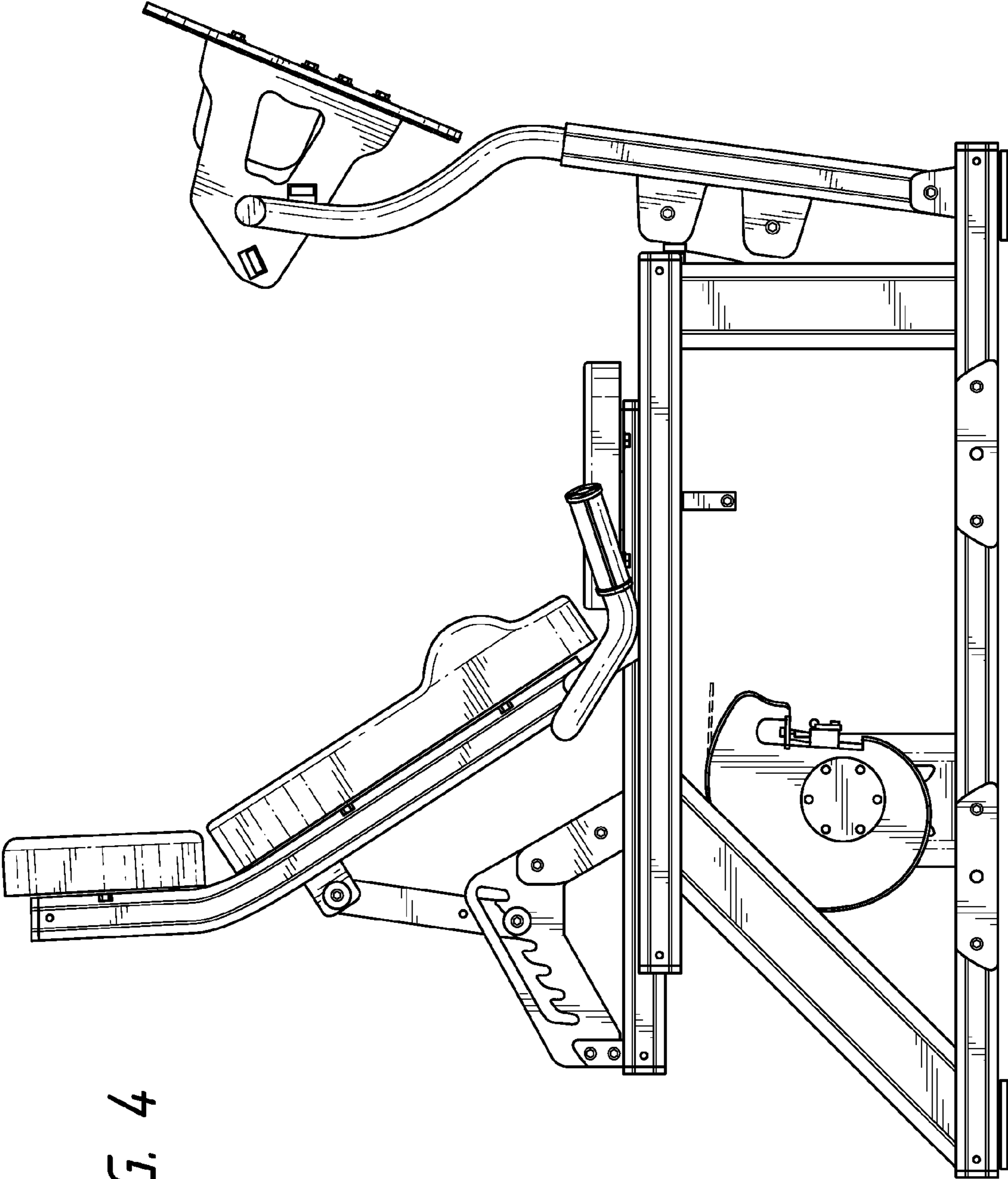


FIG. 4

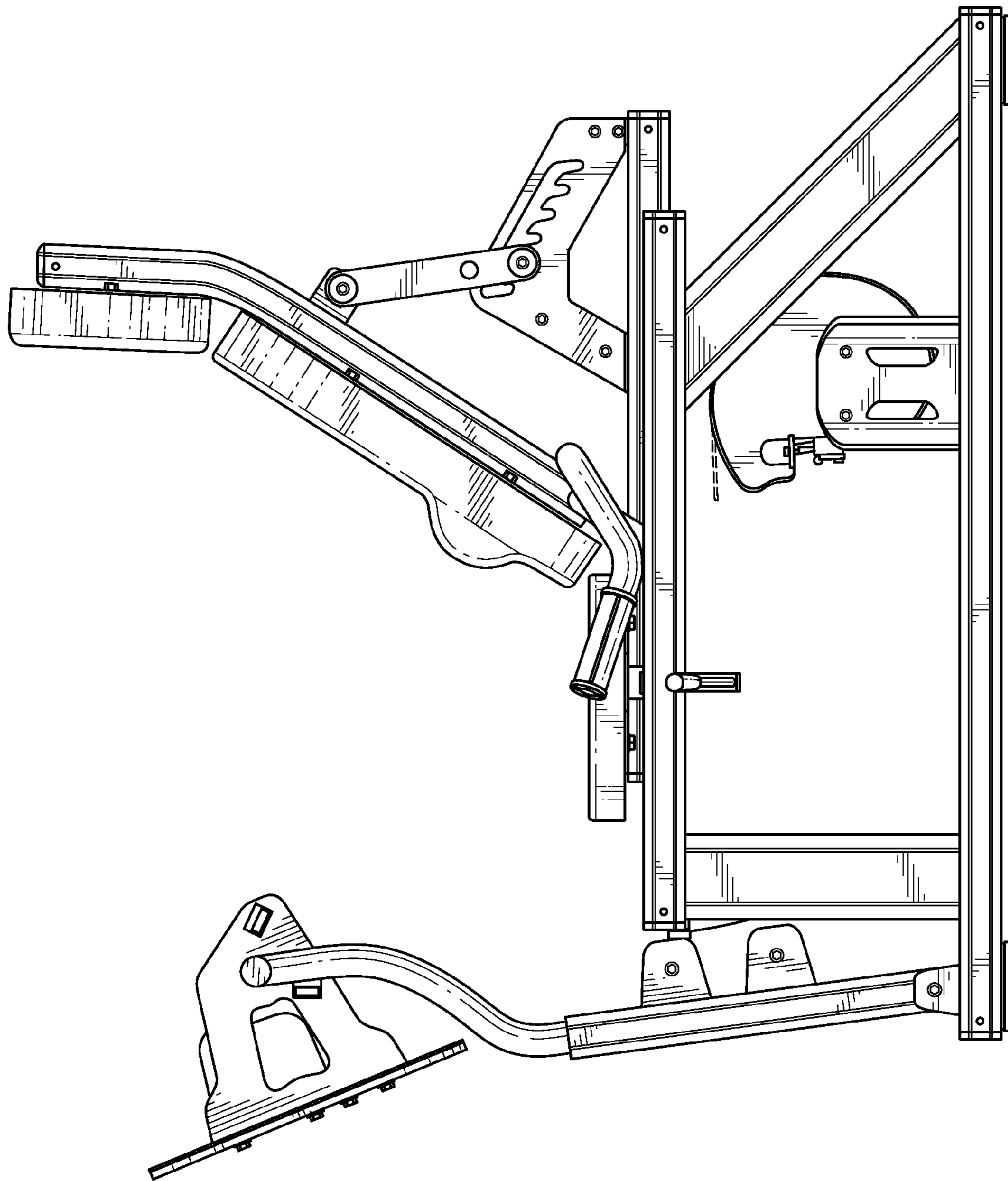


FIG. 5