



US00D635199S

(12) **United States Design Patent**
Yuen

(10) **Patent No.:** **US D635,199 S**
(45) **Date of Patent:** **** Mar. 29, 2011**

(54) **TOY HELICOPTER**

(75) Inventor: **Terry Shiu Hang Yuen**, Kowloon (HK)

(73) Assignee: **Hobbyengine Model Ltd.**, Hong Kong (HK)

(**) Term: **14 Years**

(21) Appl. No.: **29/341,242**

(22) Filed: **Jul. 31, 2009**

(30) **Foreign Application Priority Data**

Feb. 12, 2009 (HK) 0900217

(51) **LOC (9) Cl.** **21-01**

(52) **U.S. Cl.** **D21/442**

(58) **Field of Classification Search** D12/325-329;
D21/441-442, 447-452; 244/17.11, 17.13,
244/17.19, 17.23, 17.25; 446/34, 36, 230-232
See application file for complete search history.

(56) **References Cited**

U.S. PATENT DOCUMENTS

D201,934 S * 8/1965 Graham D12/327
D271,390 S * 11/1983 Schramm D12/327
D284,594 S * 7/1986 Fisher D21/442
5,242,130 A * 9/1993 Mouille et al. 244/17.13
5,251,847 A * 10/1993 Guimbal 244/17.19
D503,198 S * 3/2005 Rehkemper et al. D21/442

D548,803 S * 8/2007 Zimet D21/442
D561,676 S * 2/2008 Wai D12/326
7,494,397 B2 * 2/2009 Van de Rostyne 446/36

* cited by examiner

Primary Examiner — Sandra Morris

(74) *Attorney, Agent, or Firm* — Baker & McKenzie LLP

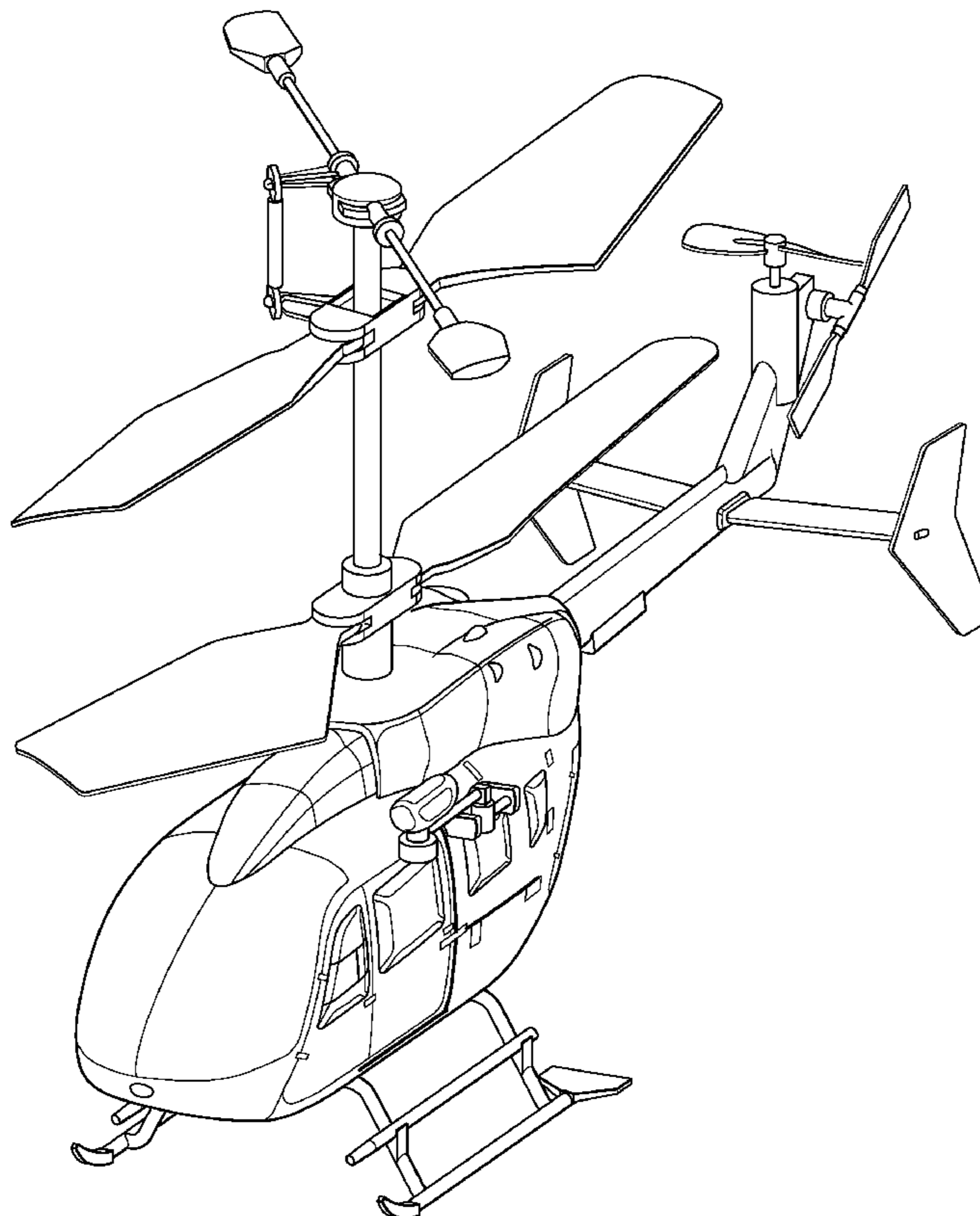
(57) **CLAIM**

The ornamental design for a toy helicopter, as illustrated and described.

DESCRIPTION

FIG. 1 is a bottom perspective view of the toy helicopter in accordance with my design;
FIG. 2 is a top view of the toy helicopter shown in FIG. 1;
FIG. 3 is a second bottom perspective view of the toy helicopter shown in FIGS. 1-2;
FIG. 4 is a perspective view of the toy helicopter shown in FIGS. 1-3;
FIG. 5 is a second perspective view of the toy helicopter shown in FIGS. 1-4;
FIG. 6 is a left side view of the toy helicopter shown in FIGS. 1-5;
FIG. 7 is a right side view of the toy helicopter shown in FIGS. 1-6; and,
FIG. 8 is a front perspective view of the toy helicopter shown in FIGS. 1-7.

1 Claim, 8 Drawing Sheets



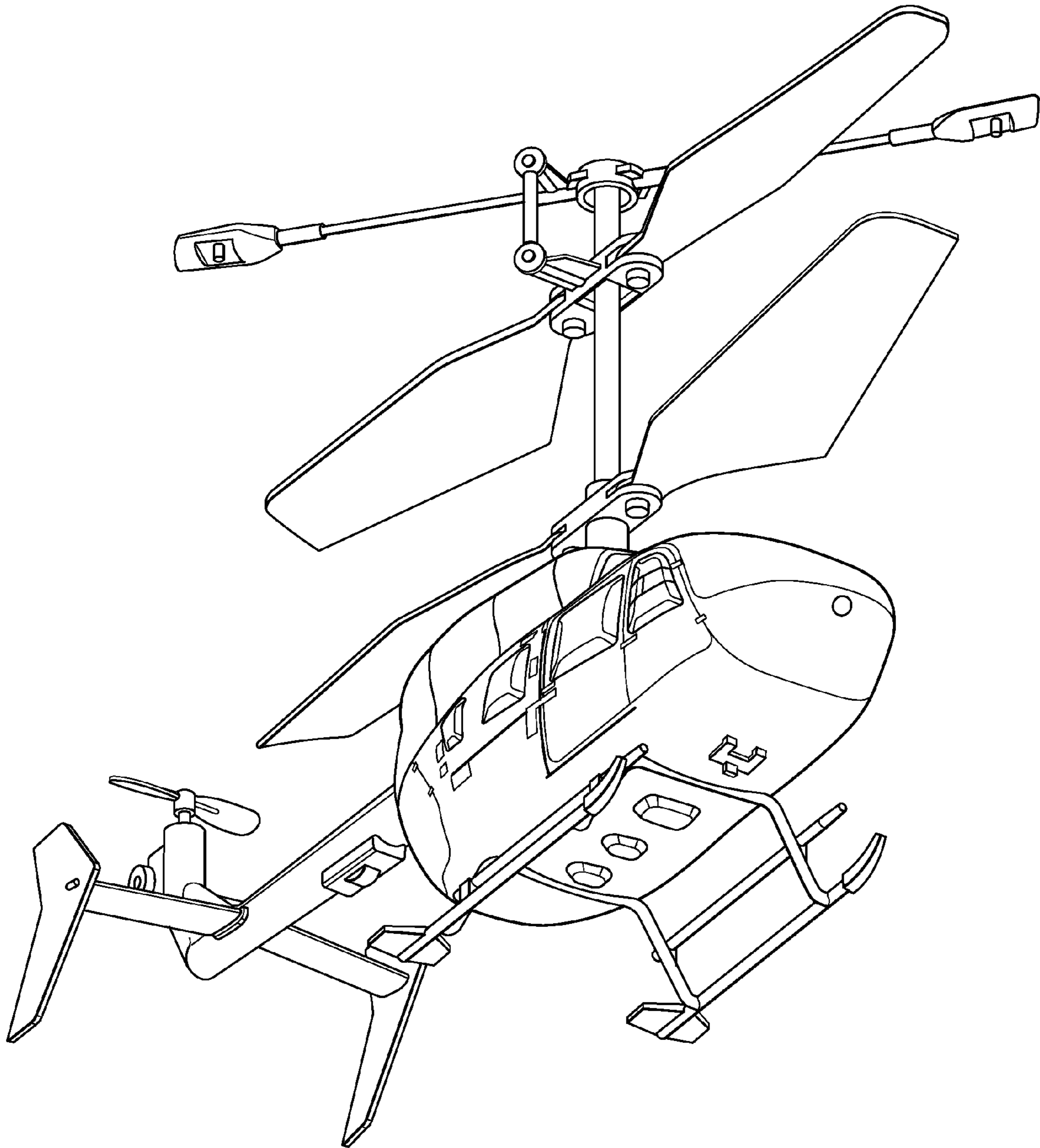


FIG. 1

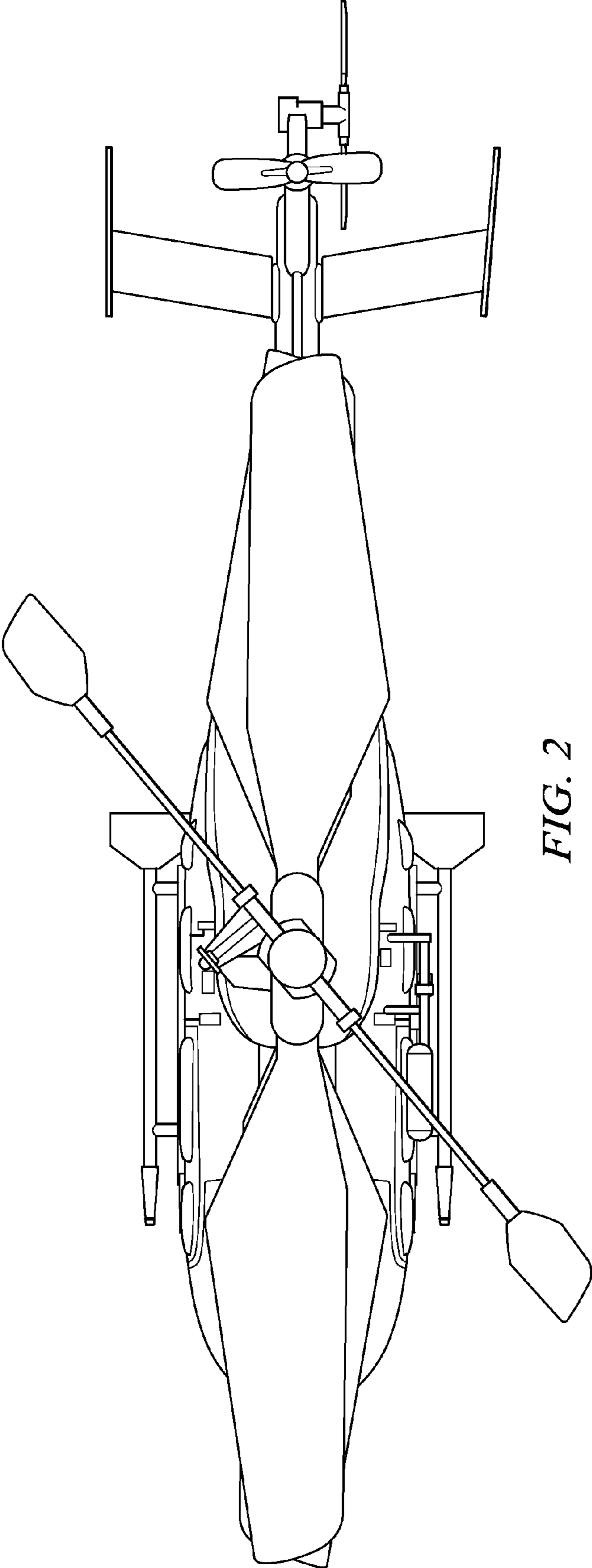


FIG. 2

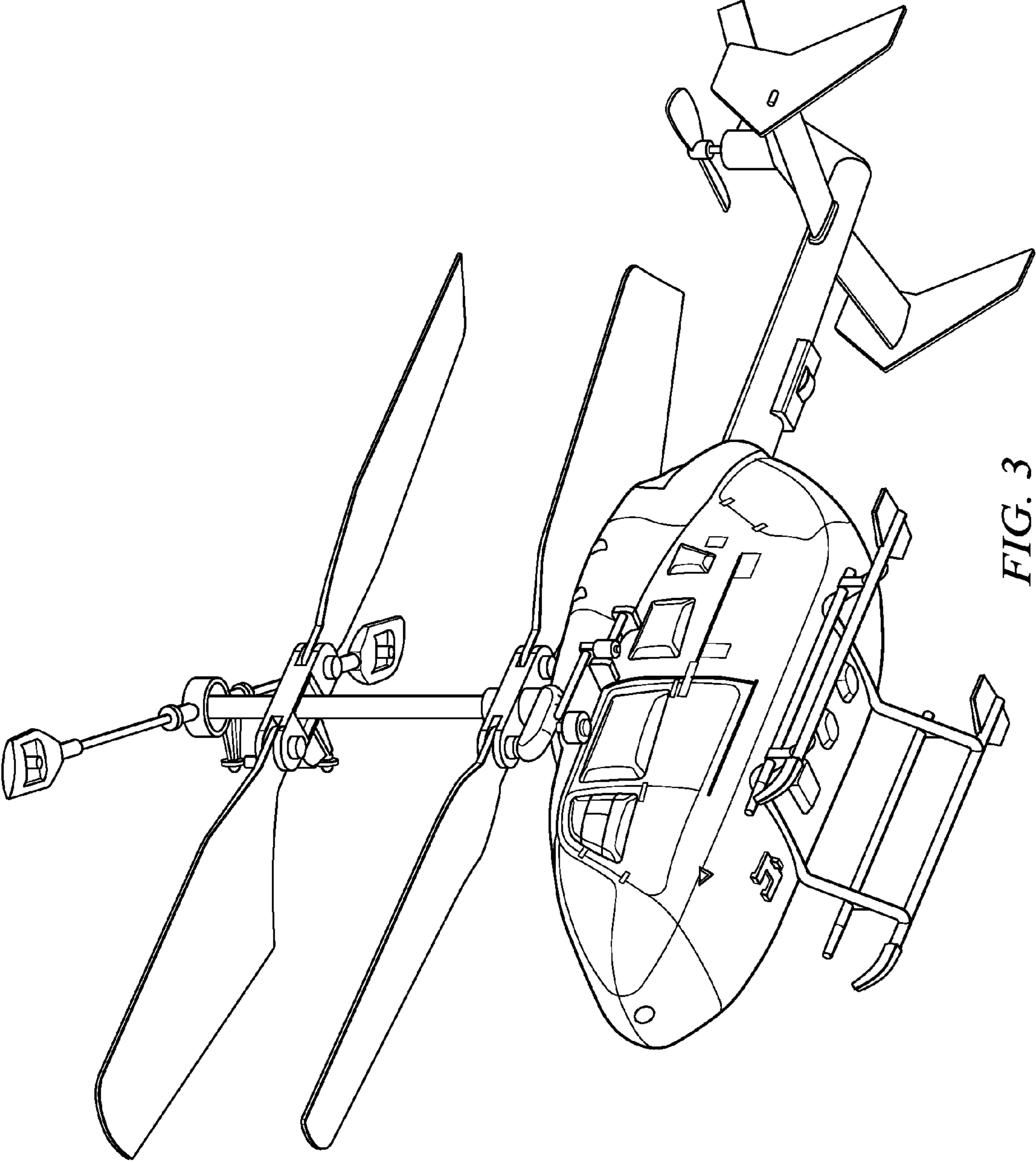


FIG. 3

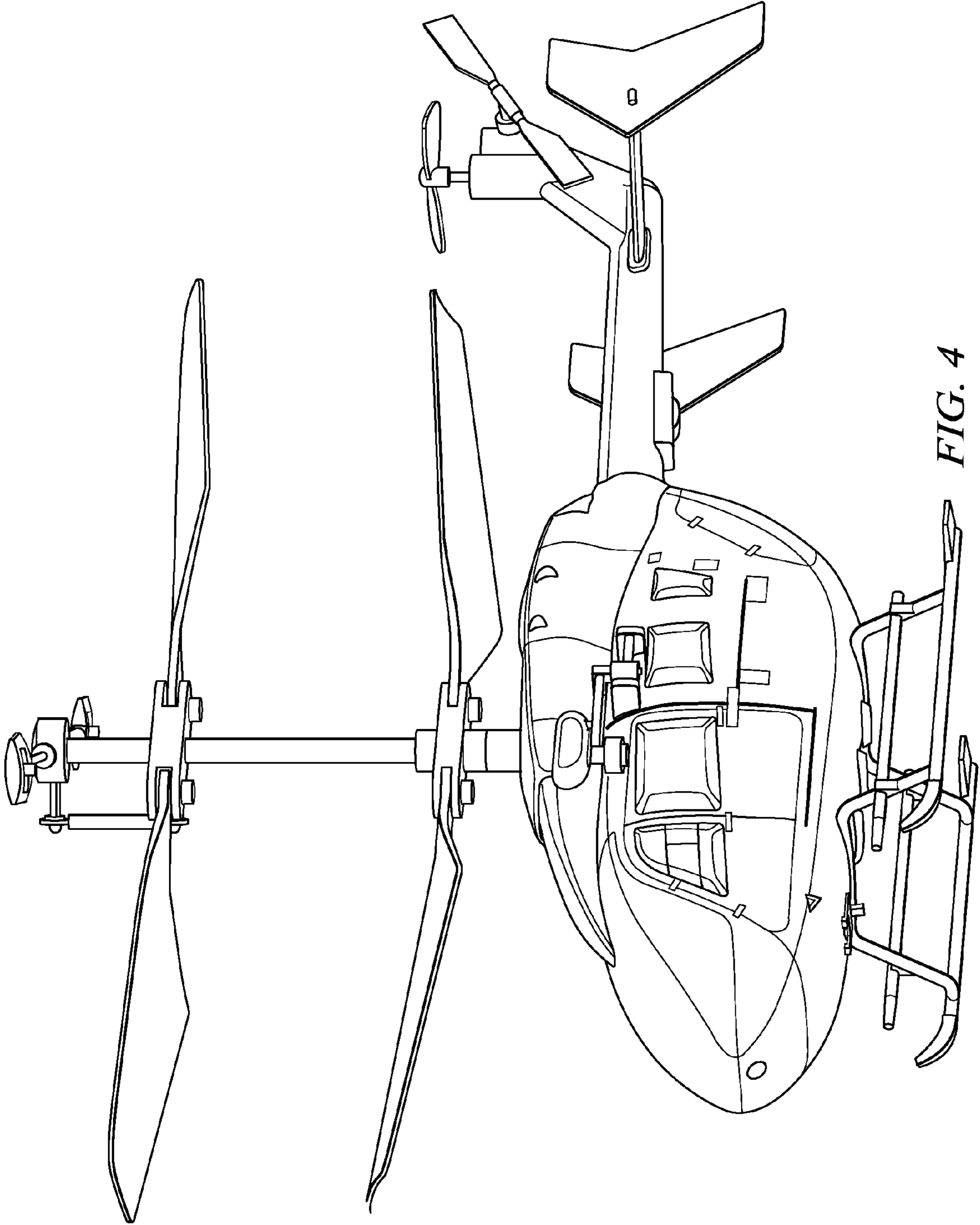


FIG. 4

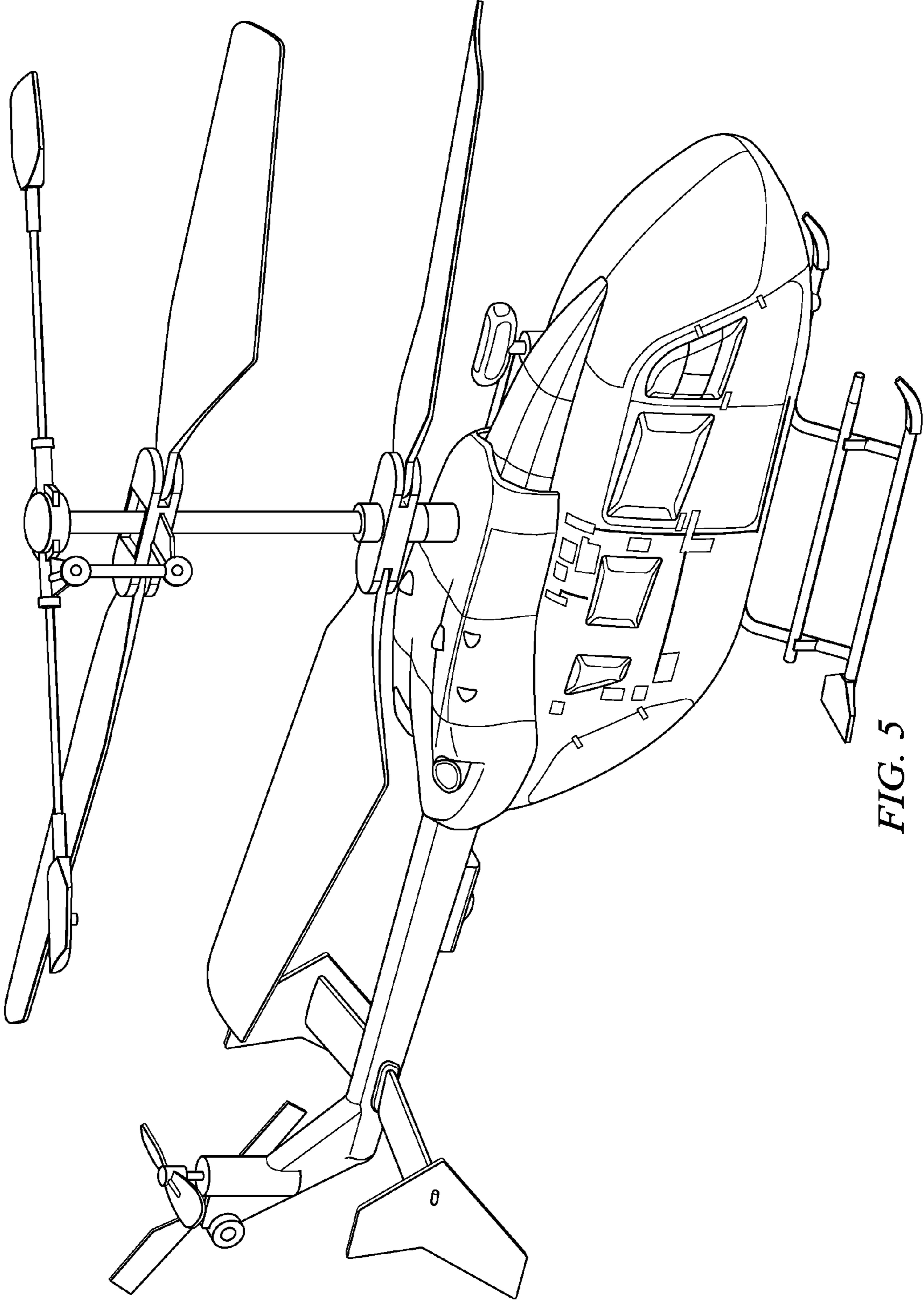


FIG. 5

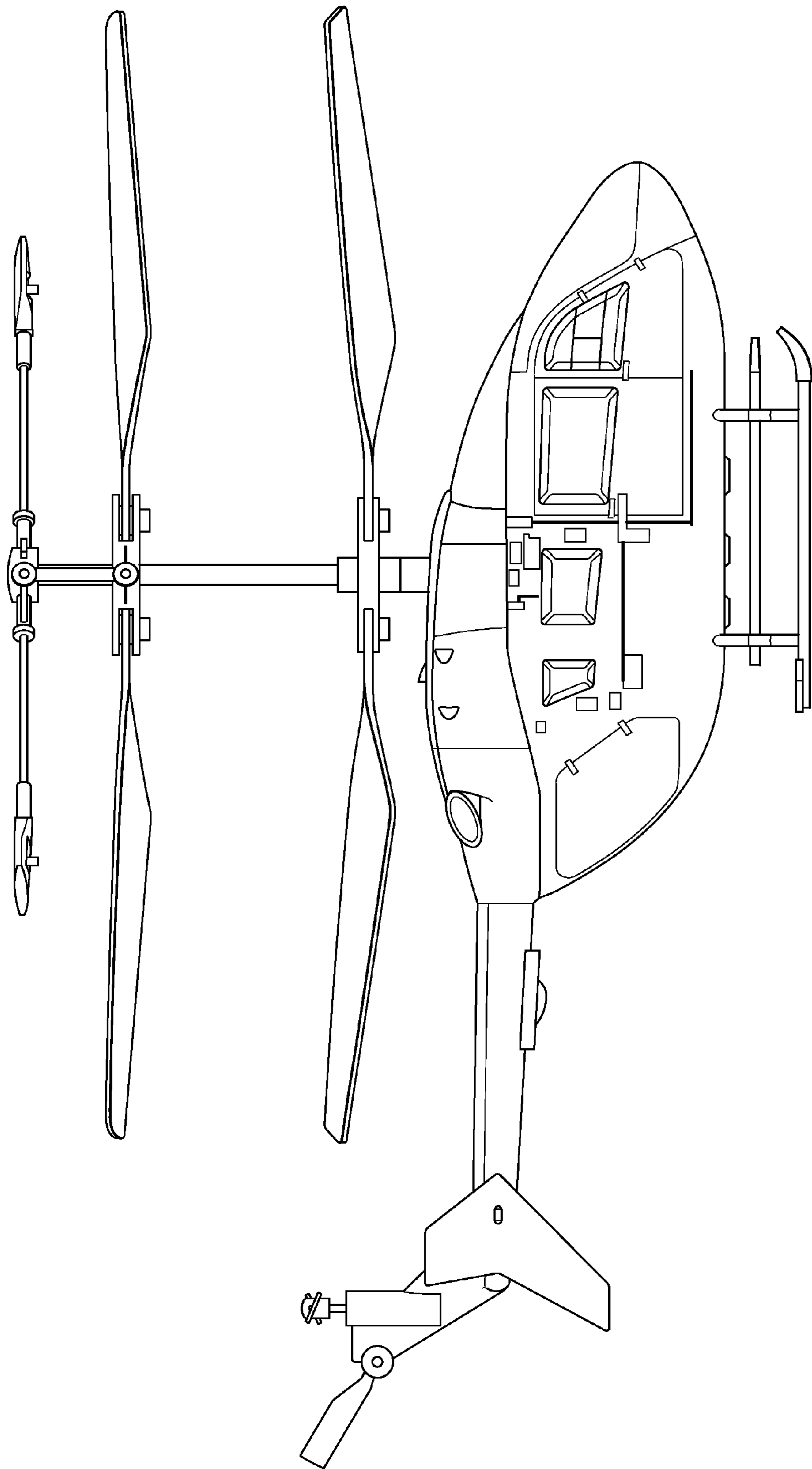


FIG. 6

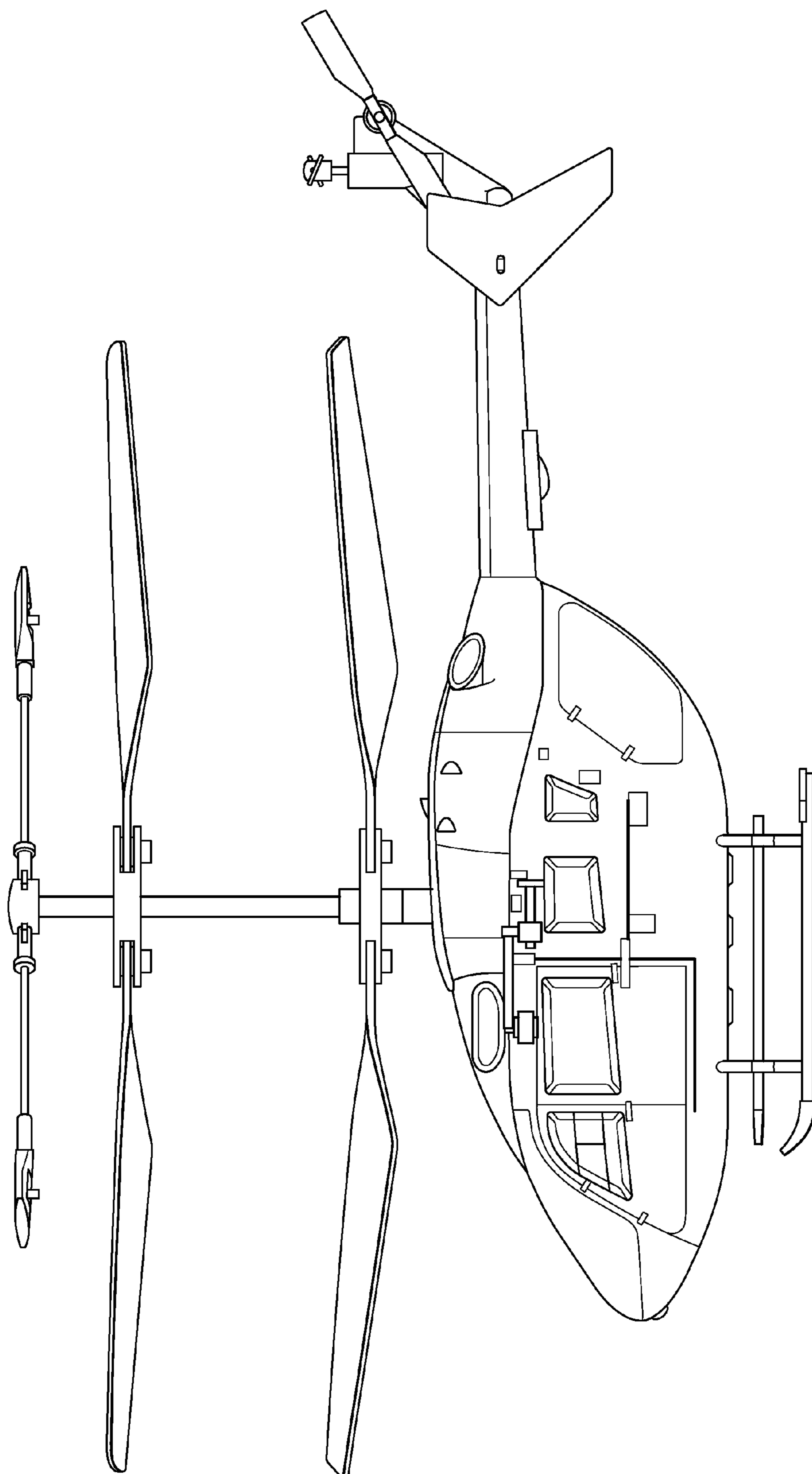


FIG. 7

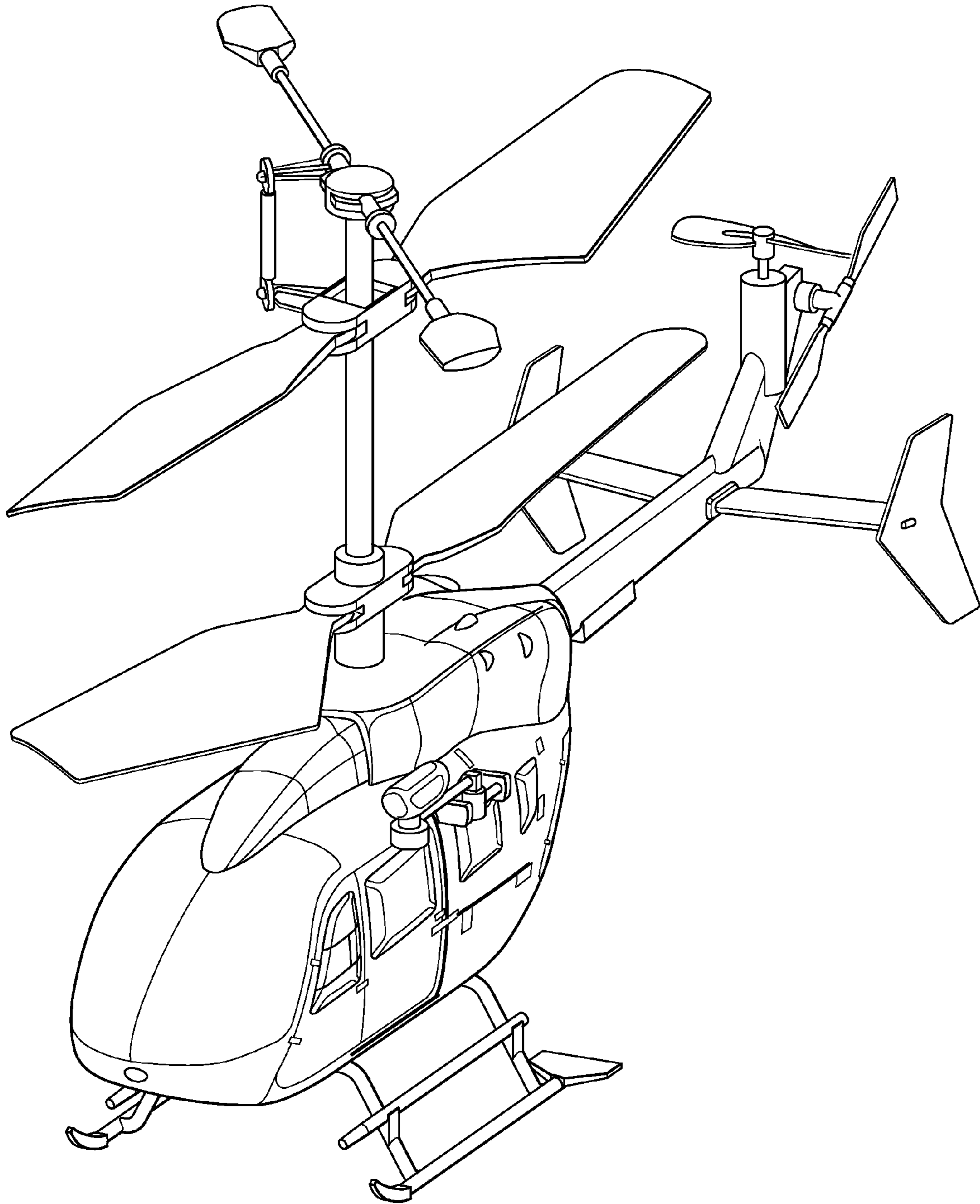


FIG. 8