



US00D635198S

(12) **United States Design Patent**  
**Antonopoulos et al.**

(10) **Patent No.:** **US D635,198 S**  
(45) **Date of Patent:** **\*\* Mar. 29, 2011**

(54) **LOTTERY TERMINAL**

(75) Inventors: **Konstantinos Antonopoulos**, Athens (GR); **Georgios Plakas**, Athens (GR); **Konstantinos Vrahatis**, Athens (GR); **Georgios Kolios**, Athens (GR); **Stavros Liapis**, Athens (GR)

(73) Assignee: **Intralot S.A.**, Athens (GR)

(\*\*) Term: **14 Years**

(21) Appl. No.: **29/368,551**

(22) Filed: **Aug. 25, 2010**

**Related U.S. Application Data**

(63) Continuation of application No. 11/750,168, filed on May 17, 2007.

(51) **LOC (9) Cl.** ..... **21-03**

(52) **U.S. Cl.** ..... **D21/369**

(58) **Field of Classification Search** ..... D21/329–330, D21/369–371, 385; 463/17, 20, 26, 46–47  
See application file for complete search history.

(56) **References Cited**

**U.S. PATENT DOCUMENTS**

5,216,595	A	6/1993	Protheroe
5,239,165	A	8/1993	Novak
6,053,405	A	4/2000	Irwin, Jr. et al.
6,267,670	B1	7/2001	Walker et al.
6,379,742	B1	4/2002	Behm et al.
6,435,408	B1	8/2002	Irwin, Jr. et al.
6,491,215	B1	12/2002	Irwin, Jr. et al.
6,582,304	B2	6/2003	Walker et al.
6,776,337	B2	8/2004	Irwin, Jr. et al.
6,875,105	B1	4/2005	Behm et al.
6,887,153	B2	5/2005	Walker et al.
D507,023	S	7/2005	Simonetti et al.
7,032,793	B2	4/2006	Roberts et al.
D540,398	S	4/2007	Gadda et al.
D607,947	S	1/2010	Antonopoulos et al.
2001/0006181	A1	7/2001	Roberts et al.
2001/0016514	A1	8/2001	Walker et al.

(Continued)

**FOREIGN PATENT DOCUMENTS**

EP 0450520 10/1991  
(Continued)

**OTHER PUBLICATIONS**

U.S. Appl. No. 29/282,532, filed Feb. 22, 2007.  
(Continued)

*Primary Examiner* — Sandra Morris

(74) *Attorney, Agent, or Firm* — Greenberg Traurig, LLP

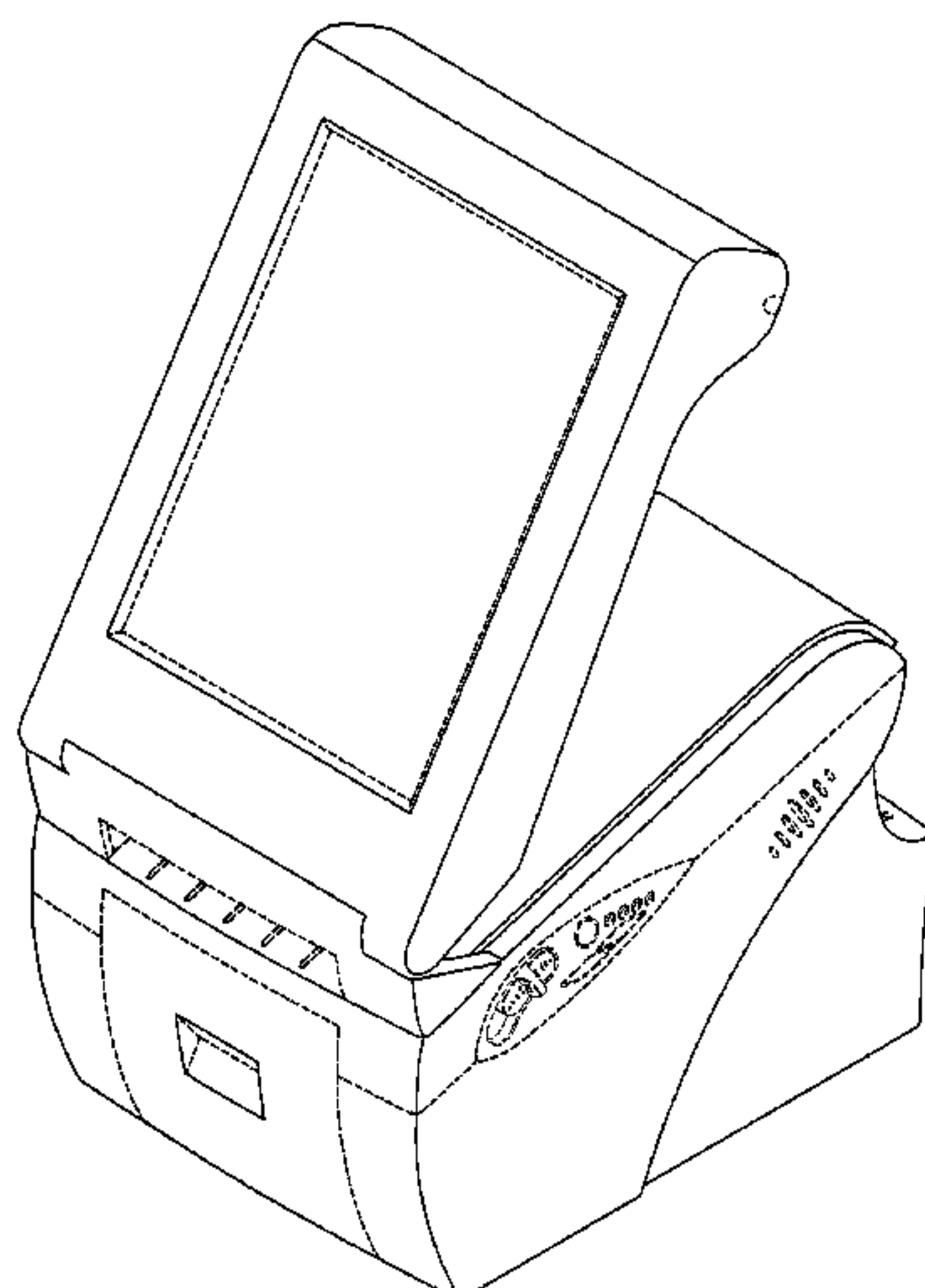
(57) **CLAIM**

The ornamental design for the lottery terminal, as shown and described.

**DESCRIPTION**

FIG. 1 is a perspective front-top view of the lottery terminal, in accordance with our new design;  
FIG. 2 is a top view of the lottery terminal, in accordance with our new design;  
FIG. 3 is a right side view of the lottery terminal, in accordance with our new design;  
FIG. 4 is a front view of the lottery terminal, in accordance with our new design;  
FIG. 5 is a back view of the lottery terminal, in accordance with our new design; and  
FIG. 6 is a left side view of the lottery terminal, in accordance with our new design.  
FIG. 7 is a bottom view of the lottery terminal, in accordance with our new design;  
FIG. 8 is another perspective front-top view of the lottery terminal, in accordance with our new design;  
FIG. 9 is yet another perspective front-top view of the lottery terminal, in accordance with our new design; and,  
FIG. 10 is yet another perspective front-top view of the lottery terminal, in accordance with our new design.  
The broken lines are for illustrative purposes only, and form no part of the claimed design.

**1 Claim, 10 Drawing Sheets**



# US D635,198 S

Page 2

---

## U.S. PATENT DOCUMENTS

2001/0034263 A1 10/2001 Roberts  
2001/0048013 A1 12/2001 Roberts et al.  
2002/0119817 A1 8/2002 Behm et al.  
2003/0042306 A1 3/2003 Irwin, Jr. et al.  
2004/0053011 A1 3/2004 Behm et al.  
2004/0095723 A1 5/2004 Tsai et al.  
2005/0156024 A1 7/2005 Ichikawa et al.  
2005/0170880 A1 8/2005 Walker et al.  
2005/0190533 A1 9/2005 Hultzman et al.  
2005/0233797 A1 10/2005 Gilmore et al.  
2006/0056155 A1 3/2006 Lee  
2006/0081674 A1 4/2006 Roberts et al.  
2006/0092612 A1 5/2006 Inoue

2006/0183554 A1 8/2006 Piazzai et al.  
2006/0293783 A1 12/2006 Hand et al.  
2008/0182639 A1 7/2008 Antonopoulos et al.

## FOREIGN PATENT DOCUMENTS

EP 1441315 7/2004  
GB 2378303 2/2003  
WO 2005081887 9/2005

## OTHER PUBLICATIONS

“Intralot microLOT. Size matters. So does performance”, 1 pg.  
Greek Search Report; 20070100053; Jan. 4, 2008, 1 pg.  
[www.lotteryinsider.com](http://www.lotteryinsider.com) article dated Mar. 7, 2006, Intralot Lottery Terminal.

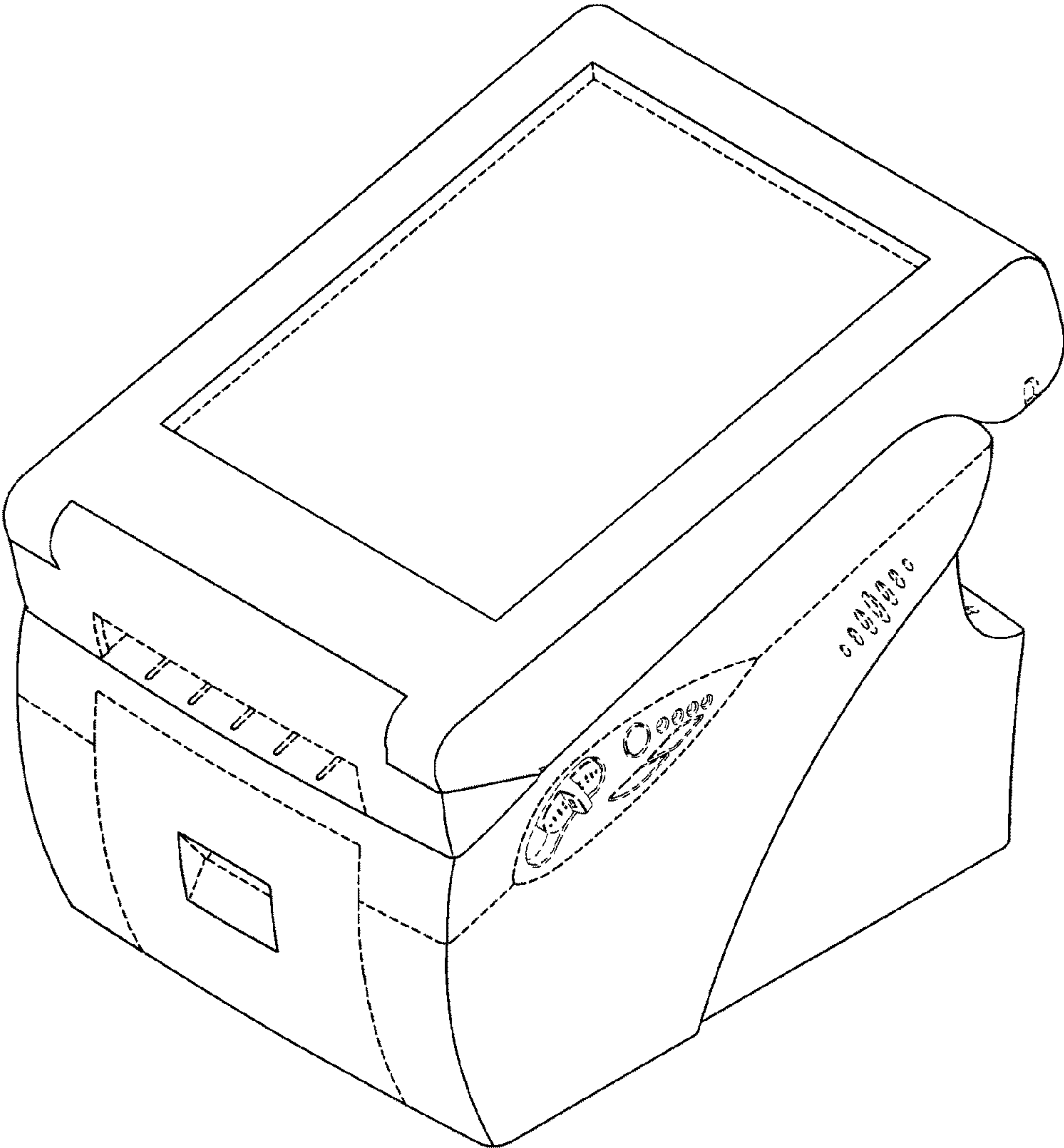


FIG. 1

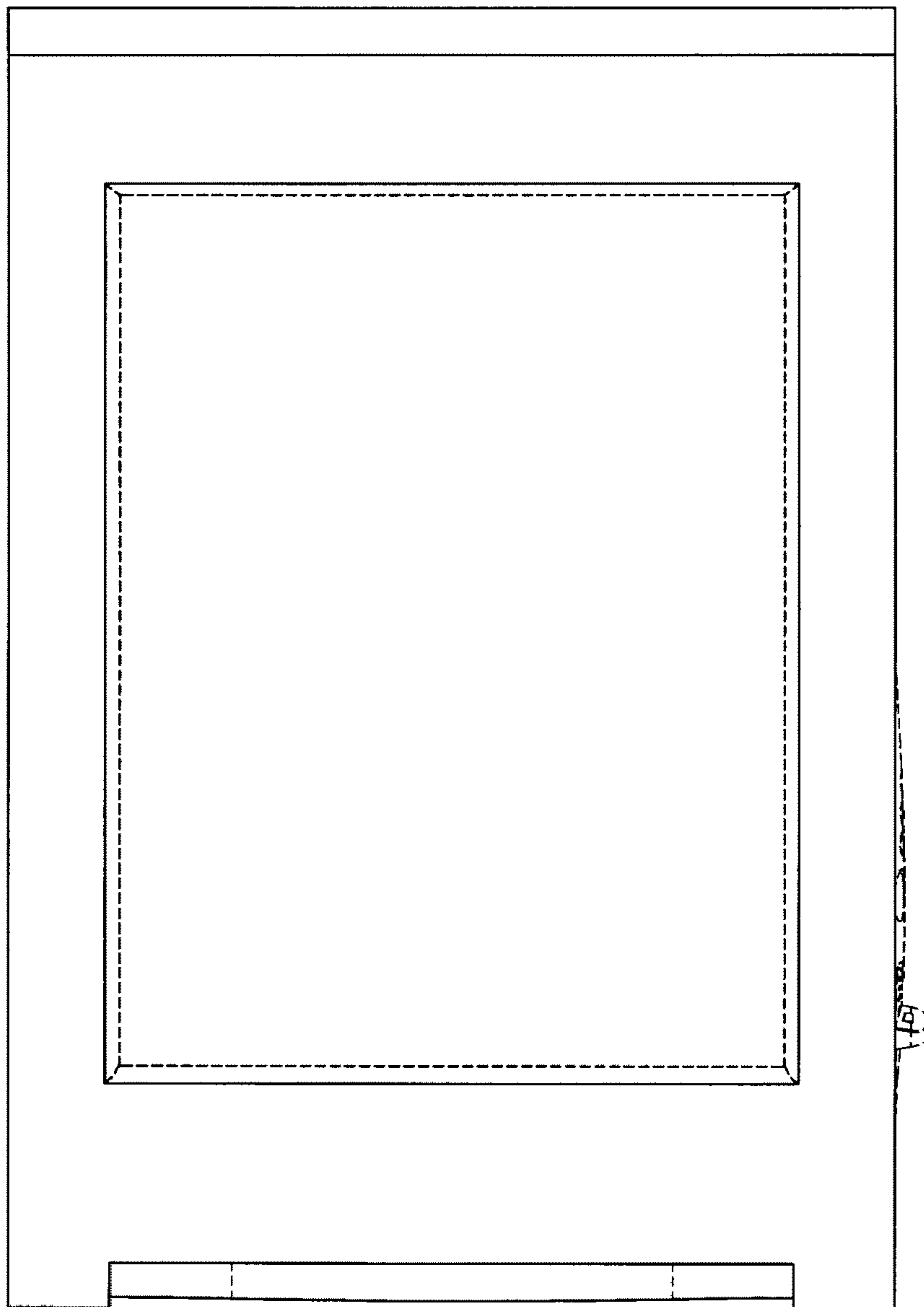


FIG. 2

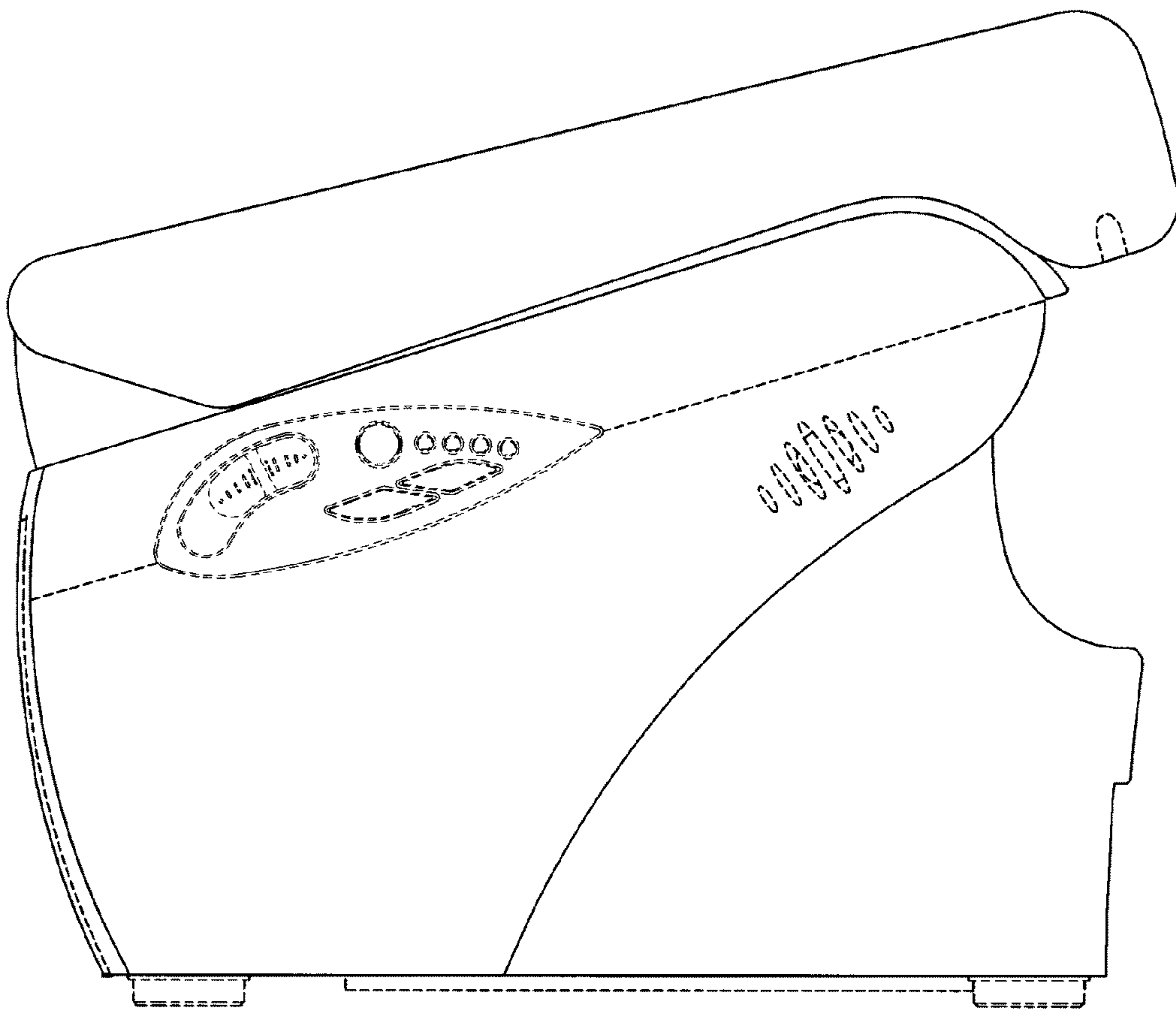


FIG.3

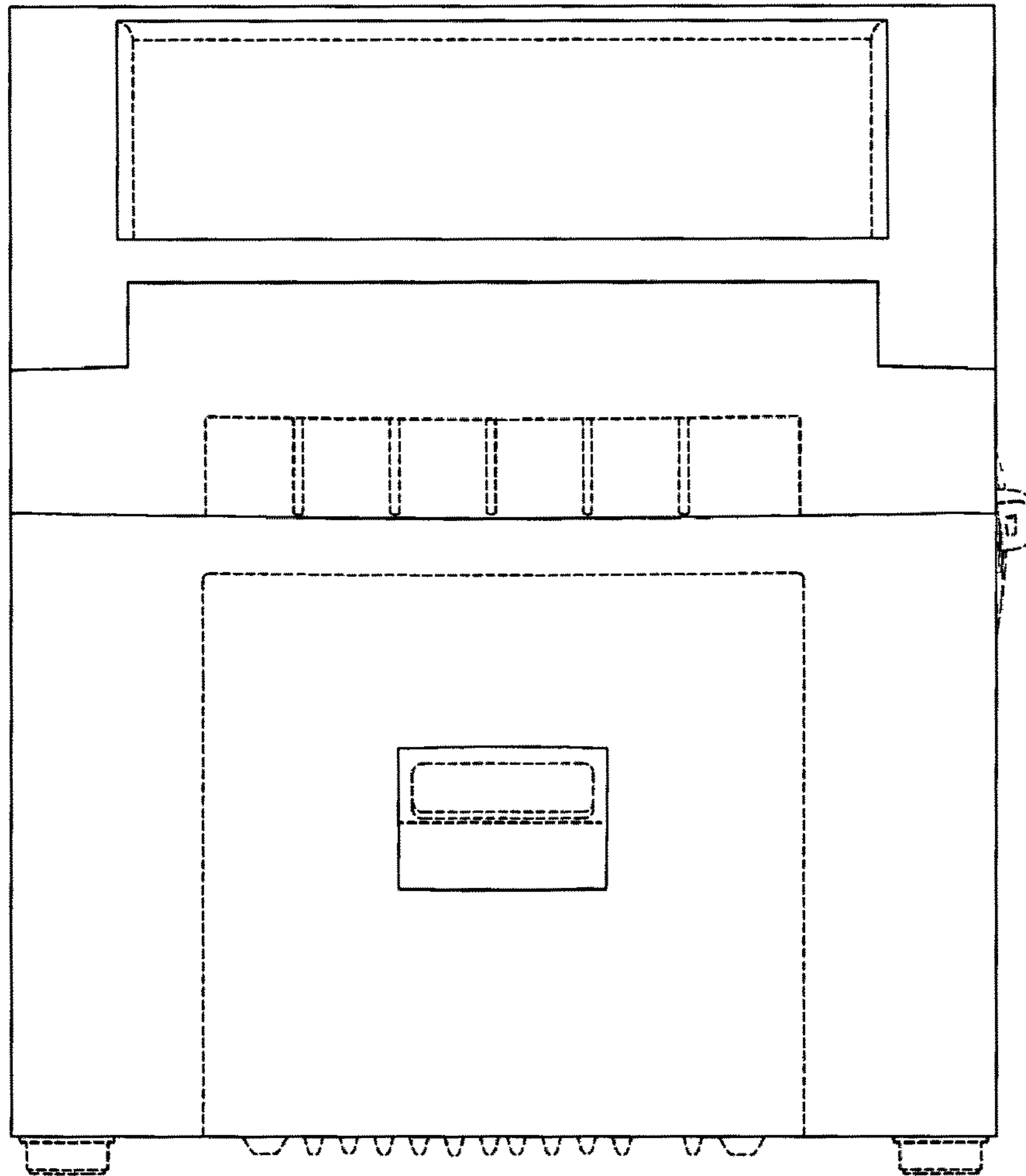


FIG.4



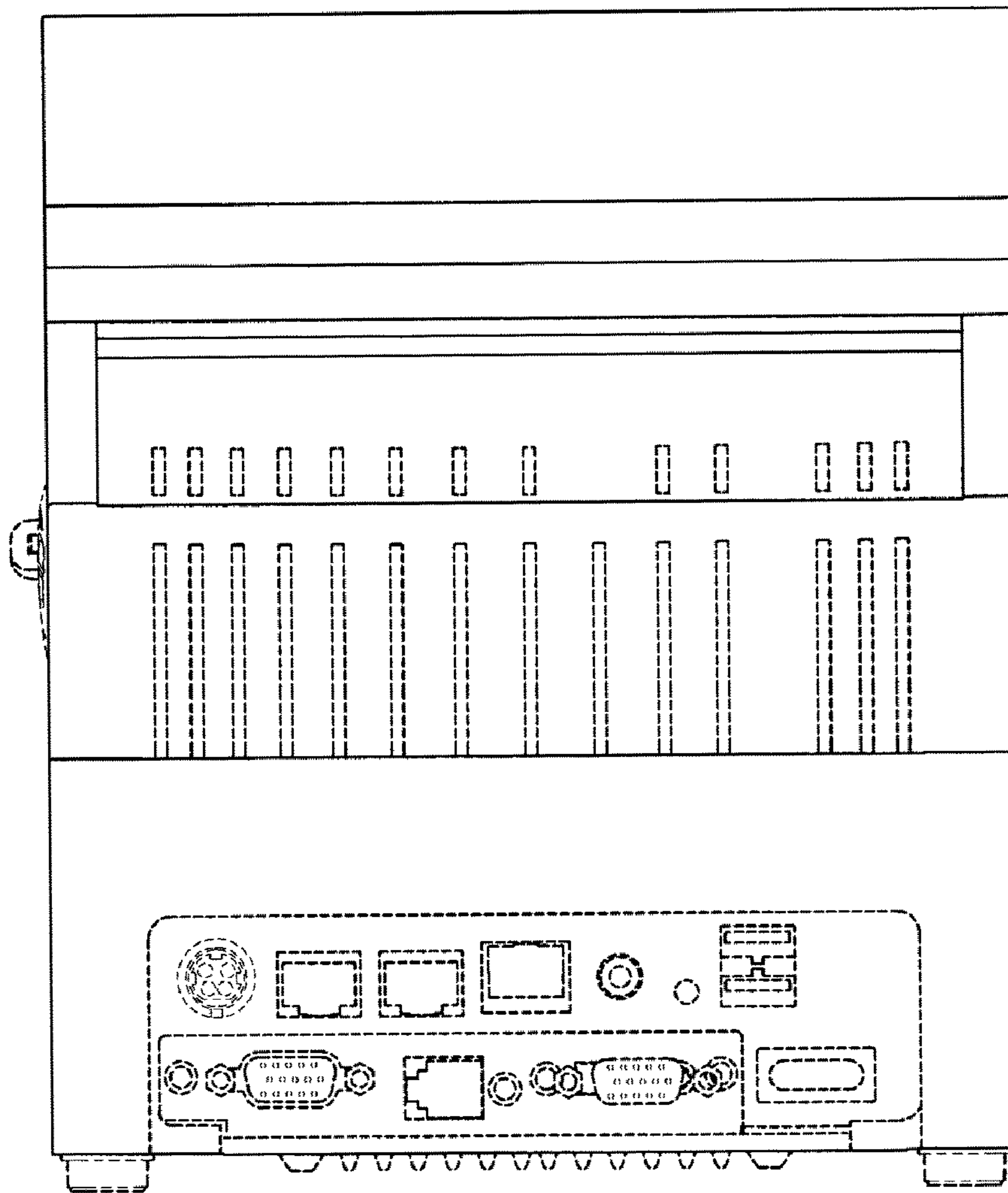


FIG.5

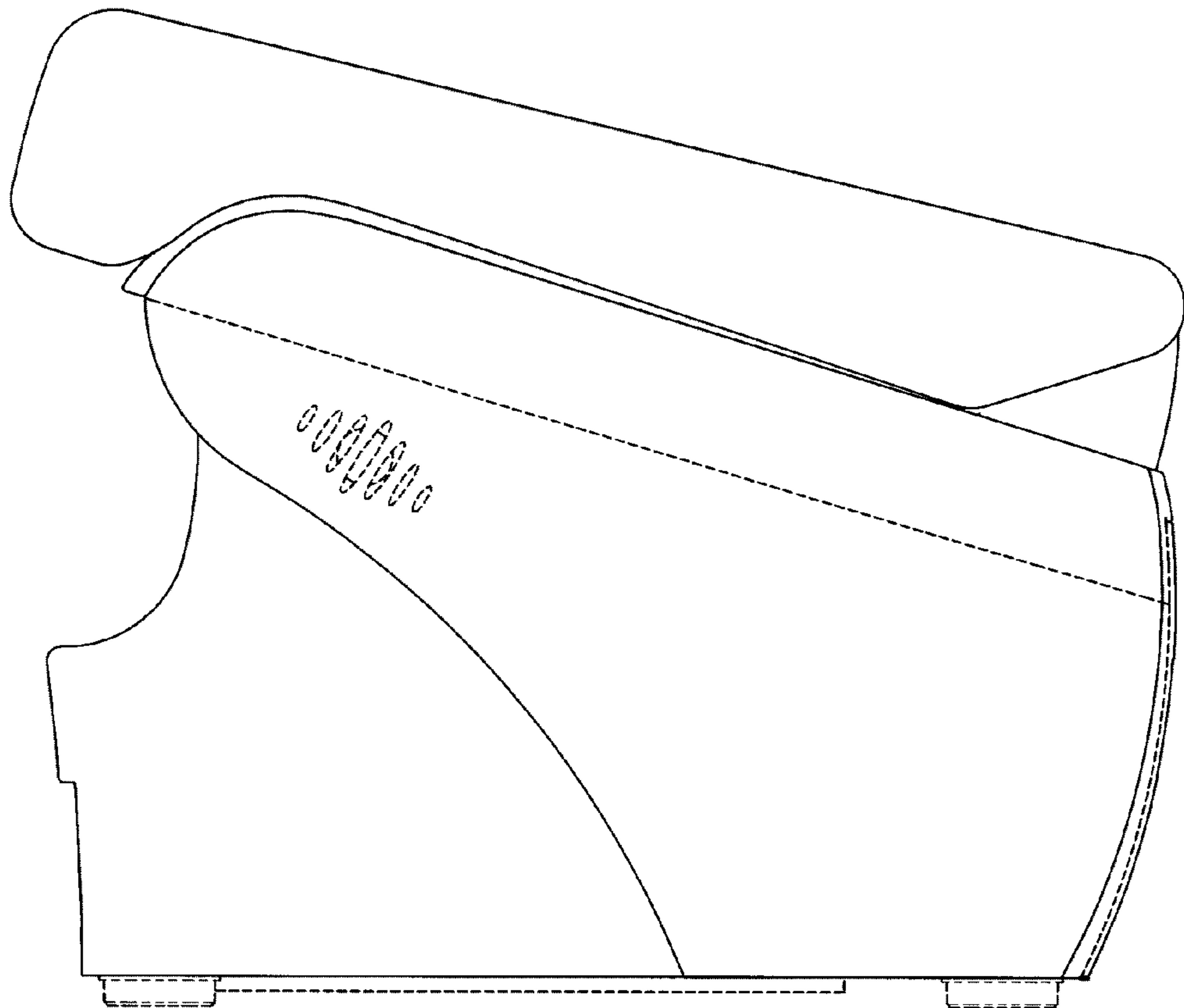


FIG.6



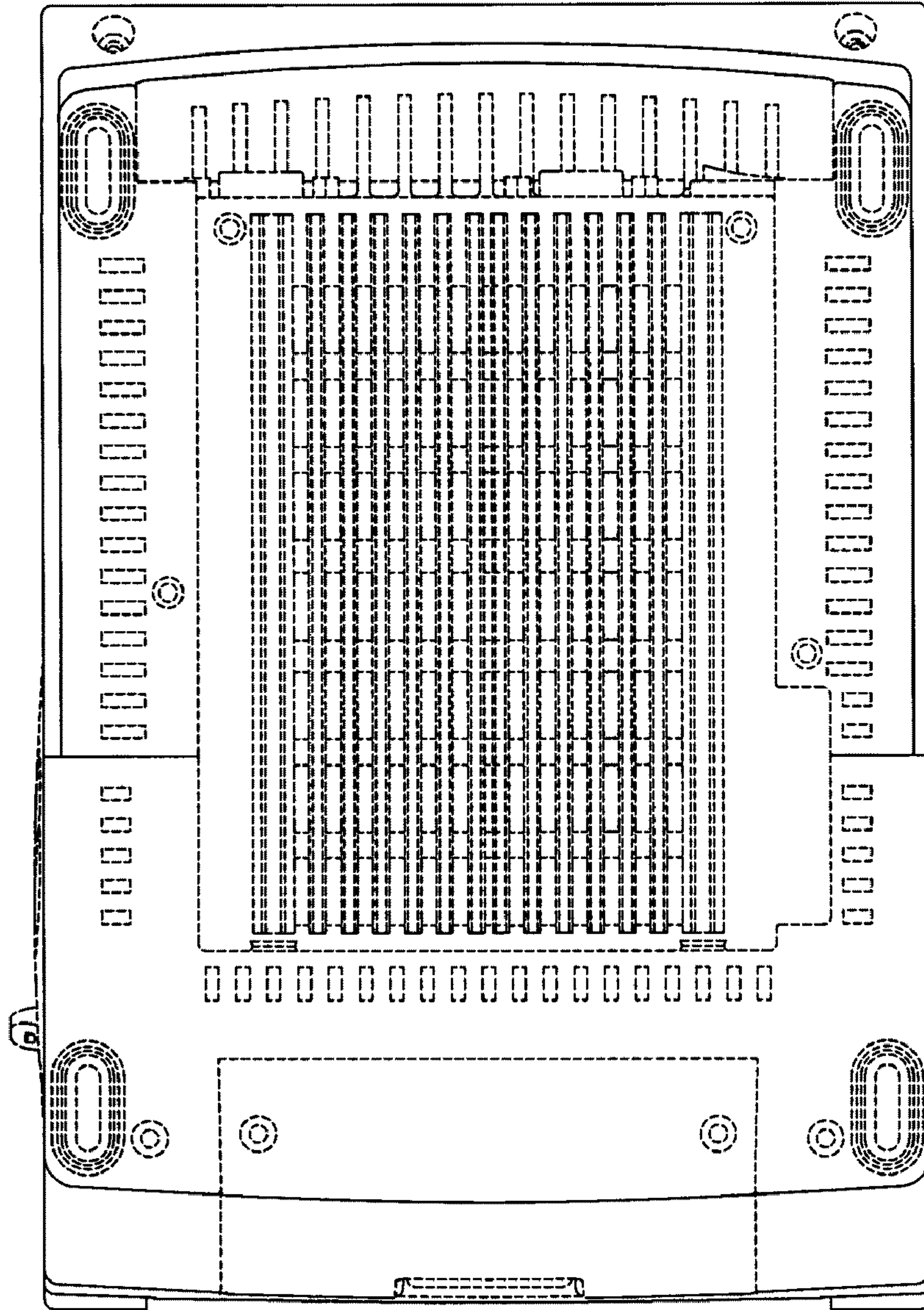


FIG. 7

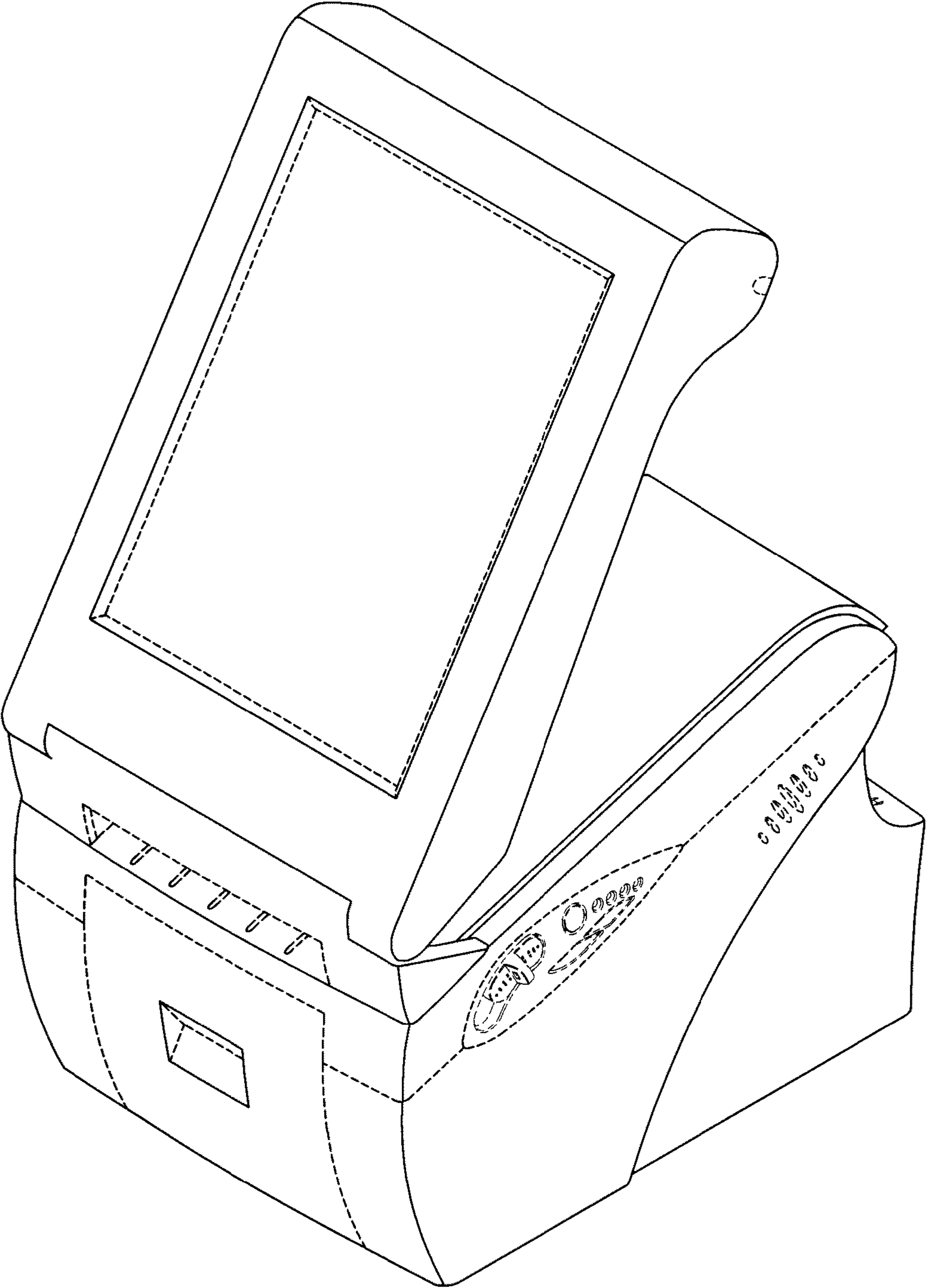


FIG.8

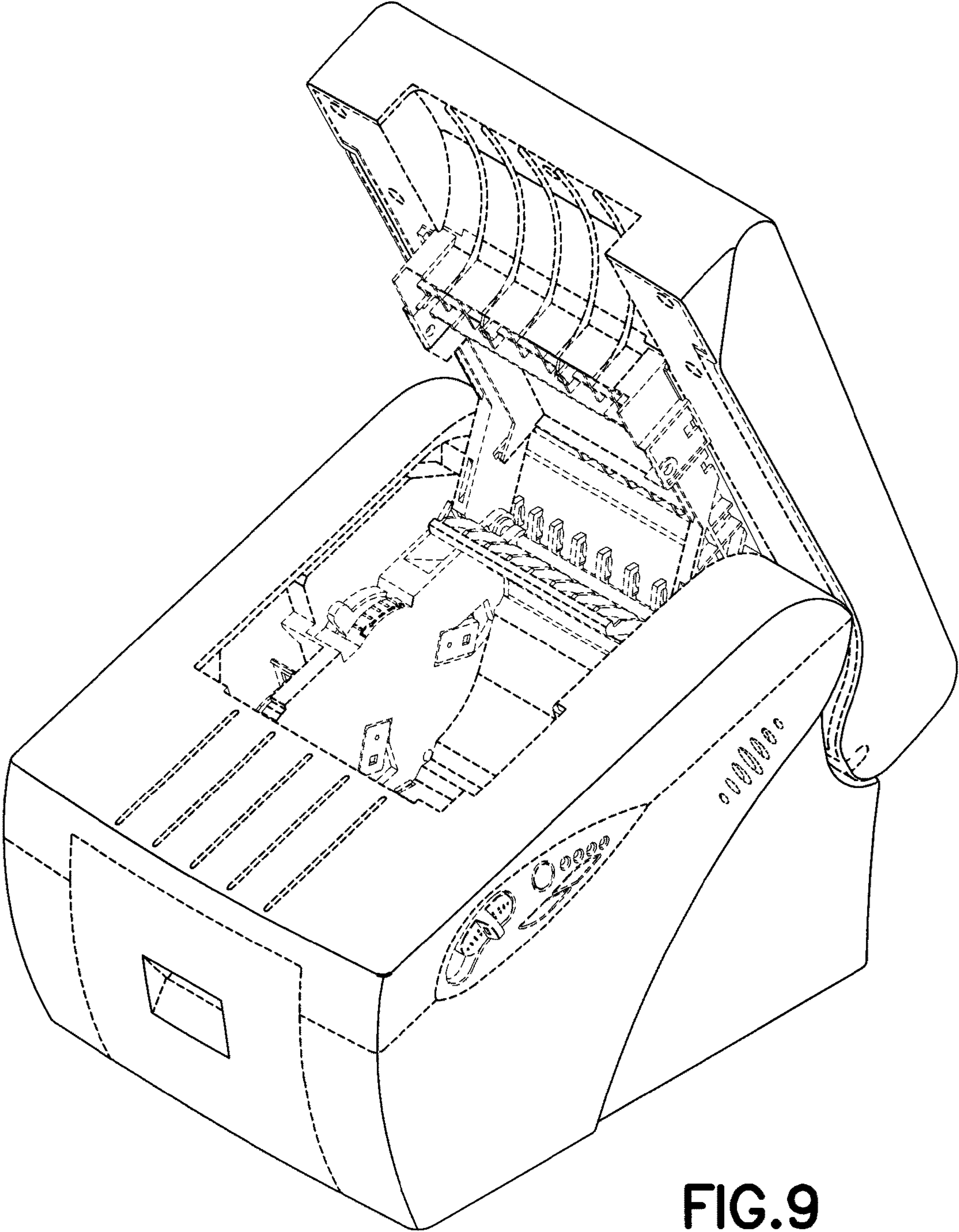


FIG.9



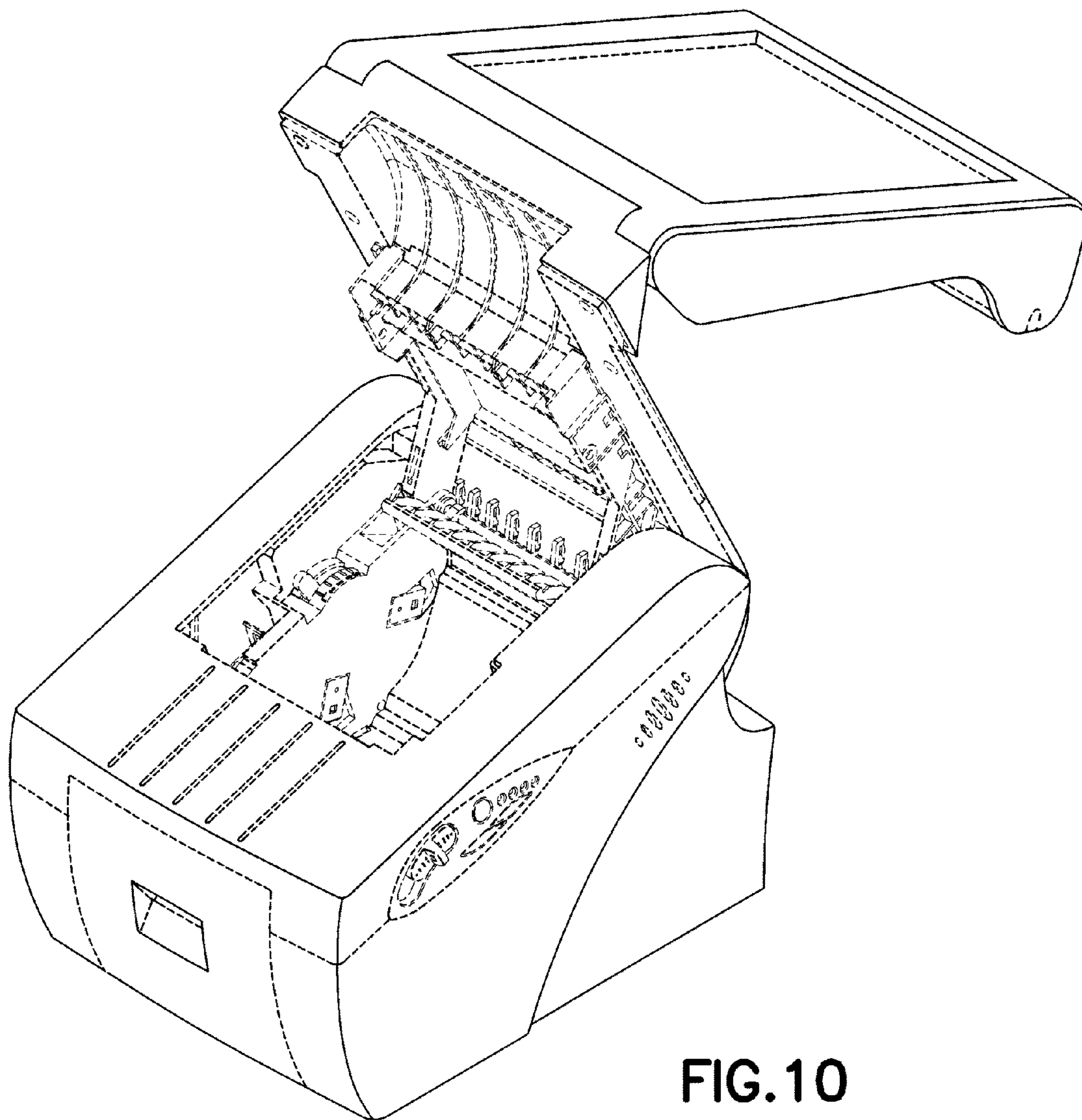


FIG. 10