



US00D635196S

(12) **United States Design Patent**  
**Voden**

(10) **Patent No.:** **US D635,196 S**

(45) **Date of Patent:** **\*\* Mar. 29, 2011**

(54) **TARGET FOR MULTIPLE TOSS GAMES**

(76) Inventor: **Justin L. Voden**, Eagle, WI (US)

(\*\*) Term: **14 Years**

(21) Appl. No.: **29/333,251**

(22) Filed: **Mar. 5, 2009**

D591,358	S *	4/2009	Moore	.....	D21/302
2002/0084588	A1 *	7/2002	Lynch	.....	273/343
2005/0051968	A1	3/2005	Froesel		
2005/0082761	A1	4/2005	Lynch		
2006/0102667	A1	5/2006	Padilla		
2007/0257438	A1 *	11/2007	Deal	.....	273/343
2008/0116644	A1	5/2008	Knoernschild		
2008/0157476	A1	7/2008	Striebel et al.		
2009/0278316	A1 *	11/2009	LaMarte et al.	.....	273/343
2009/0278317	A1 *	11/2009	Lima	.....	273/343

\* cited by examiner

**Related U.S. Application Data**

(63) Continuation-in-part of application No. 11/934,489, filed on Nov. 2, 2007.

(51) **LOC (9) Cl.** ..... **21-01**

(52) **U.S. Cl.** ..... **D21/302**

(58) **Field of Classification Search** ..... D21/300-304,  
D21/309, 435, 465, 712, 599, 318; 273/331-335,  
273/348, 407, 343, 317.3; 473/575, 576,  
473/514, 476, 577, 454, 56.9

See application file for complete search history.

*Primary Examiner* — Prabhakar Deshmukh

(74) *Attorney, Agent, or Firm* — Michael Best & Friedrich LLP

(57) **CLAIM**

The ornamental design for a target for multiple toss games, as shown and described.

**DESCRIPTION**

FIG. 1 is an exploded perspective view of a target for multiple toss games showing my new design;

FIG. 2 is a top plan view thereof;

FIG. 3 is a front elevational view thereof;

FIG. 4 is a left side elevational view thereof;

FIG. 5 is a right side elevational view thereof;

FIG. 6 is a perspective view thereof, shown in an assembled position;

FIG. 7 is an exploded perspective view of a second embodiment of target for multiple toss games;

FIG. 8 is a top plan view of FIG. 7;

FIG. 9 is a front elevational view of FIG. 7; and,

FIG. 10 is a perspective view of FIG. 7, shown in an assembled position.

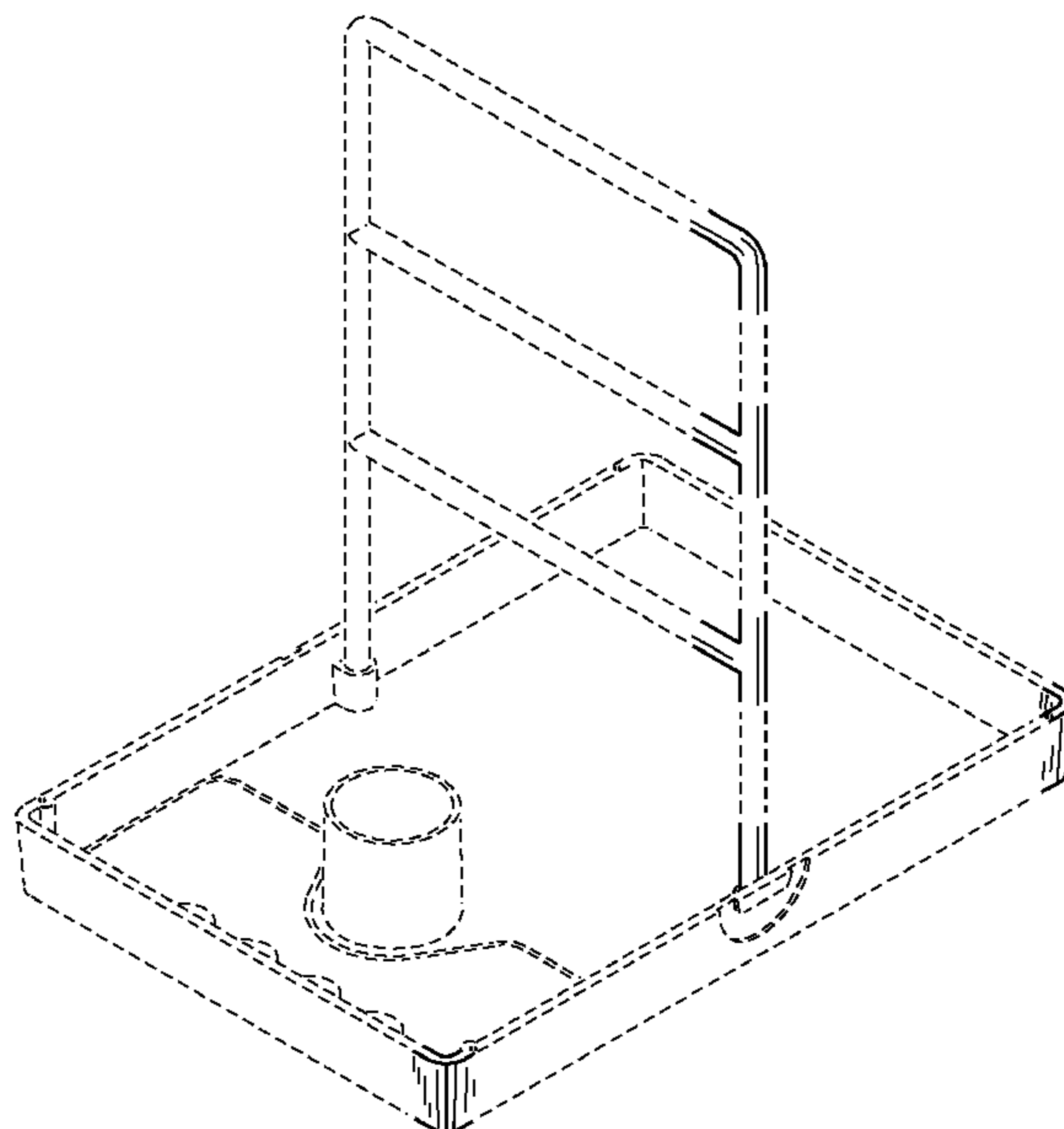
The shade lines define the boundary of the claimed design. The broken lines in the drawing are for illustrative purpose only and form no part of the claimed design.

(56) **References Cited**

**U.S. PATENT DOCUMENTS**

3,628,793	A	12/1971	Mudloff		
3,837,650	A	9/1974	Haney		
4,012,042	A	3/1977	Blasingame		
4,323,250	A	4/1982	Lansberry		
4,392,653	A	7/1983	Blume		
4,726,591	A	2/1988	Johnson		
4,961,586	A	10/1990	Conville		
4,982,966	A	1/1991	Teafatiller		
5,056,796	A	10/1991	Conville		
5,201,527	A	4/1993	Koket		
5,954,337	A	9/1999	Cunningham		
D478,938	S *	8/2003	Vande Hey et al.	.....	D21/302
D478,939	S *	8/2003	McReynolds	.....	D21/302
6,669,200	B1	12/2003	Knetsch et al.		
7,198,273	B1 *	4/2007	Advocate	.....	273/343
7,328,902	B1 *	2/2008	White et al.	.....	273/343
D570,417	S *	6/2008	Poe et al.	.....	D21/302

**1 Claim, 8 Drawing Sheets**



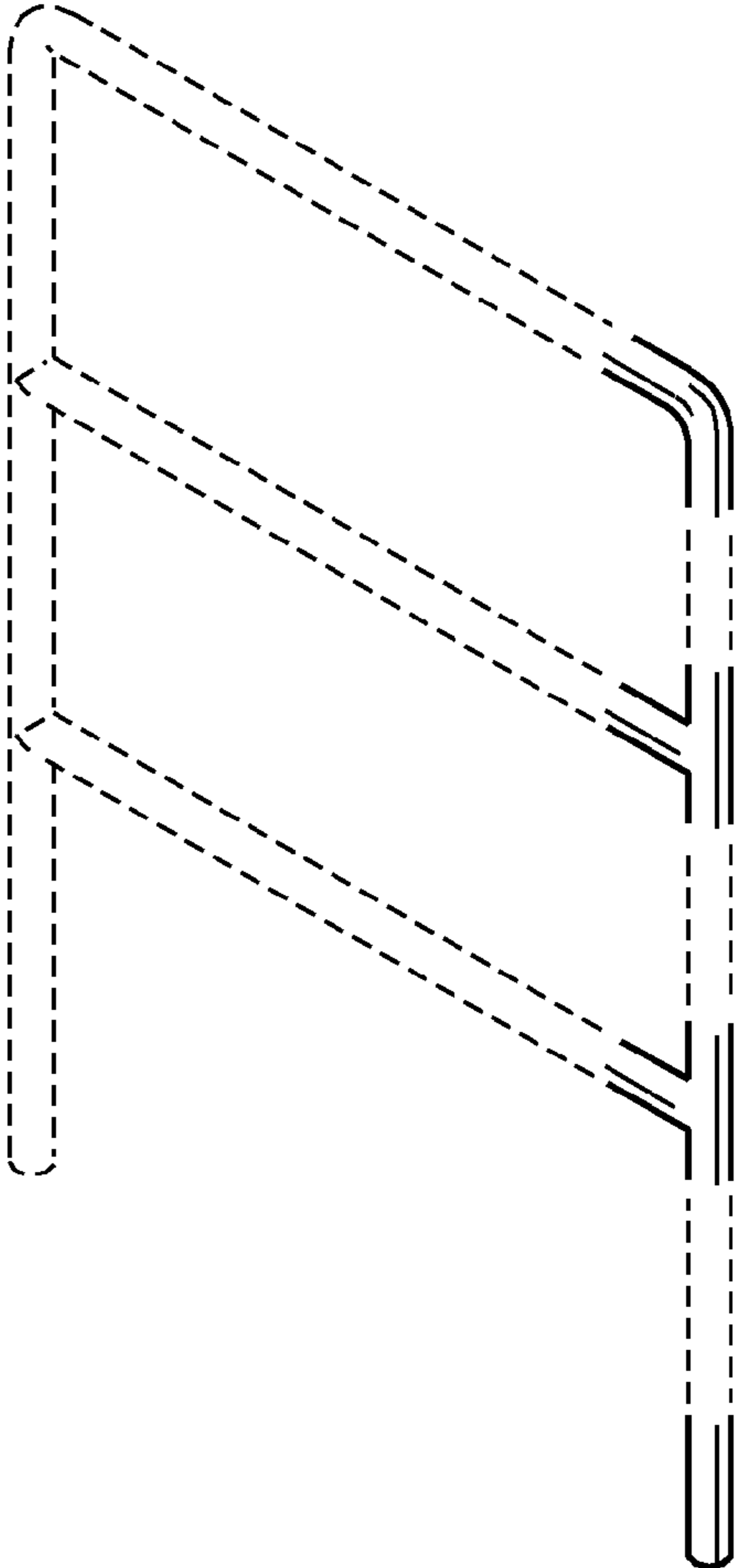
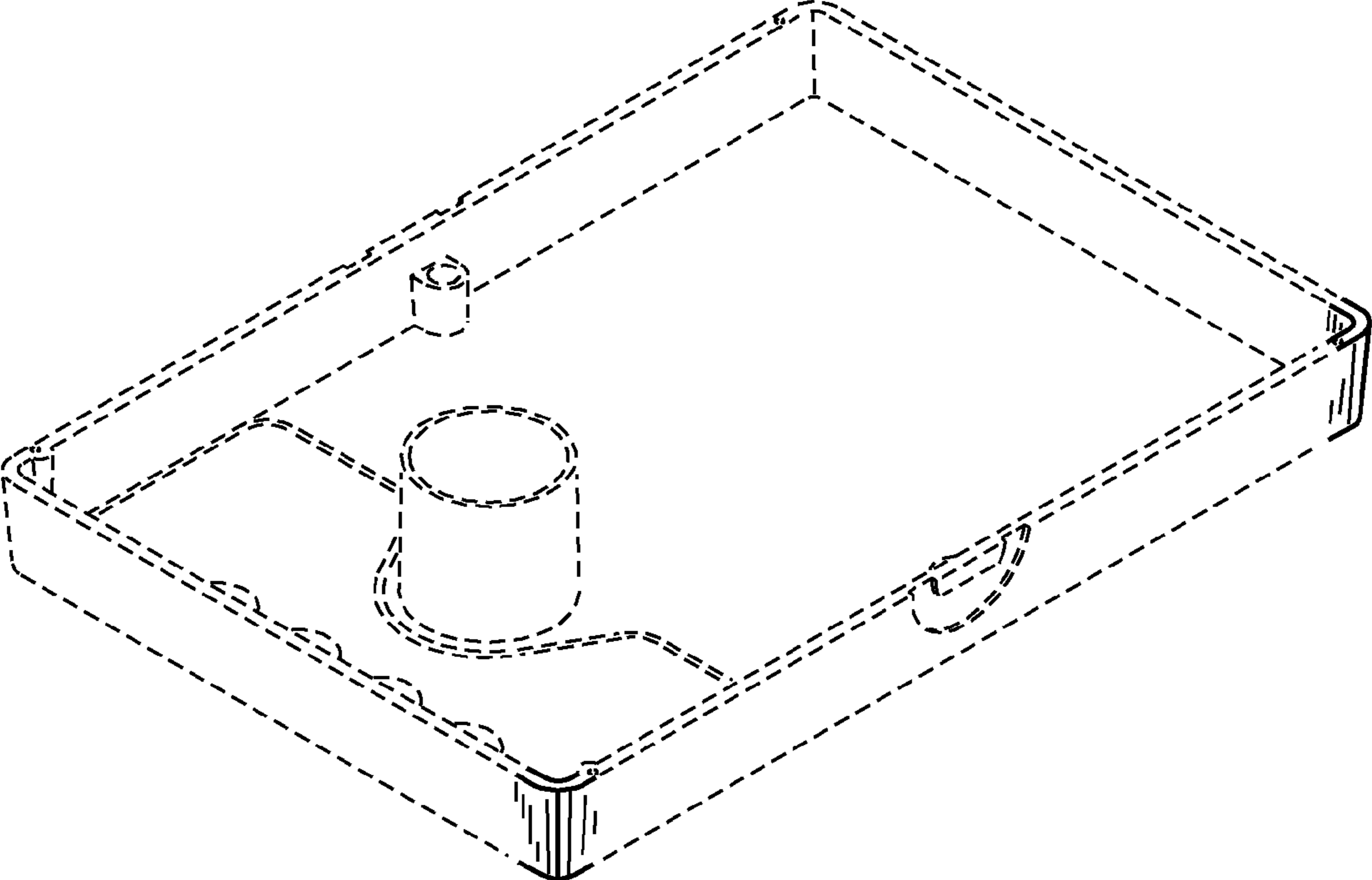


FIG. 1



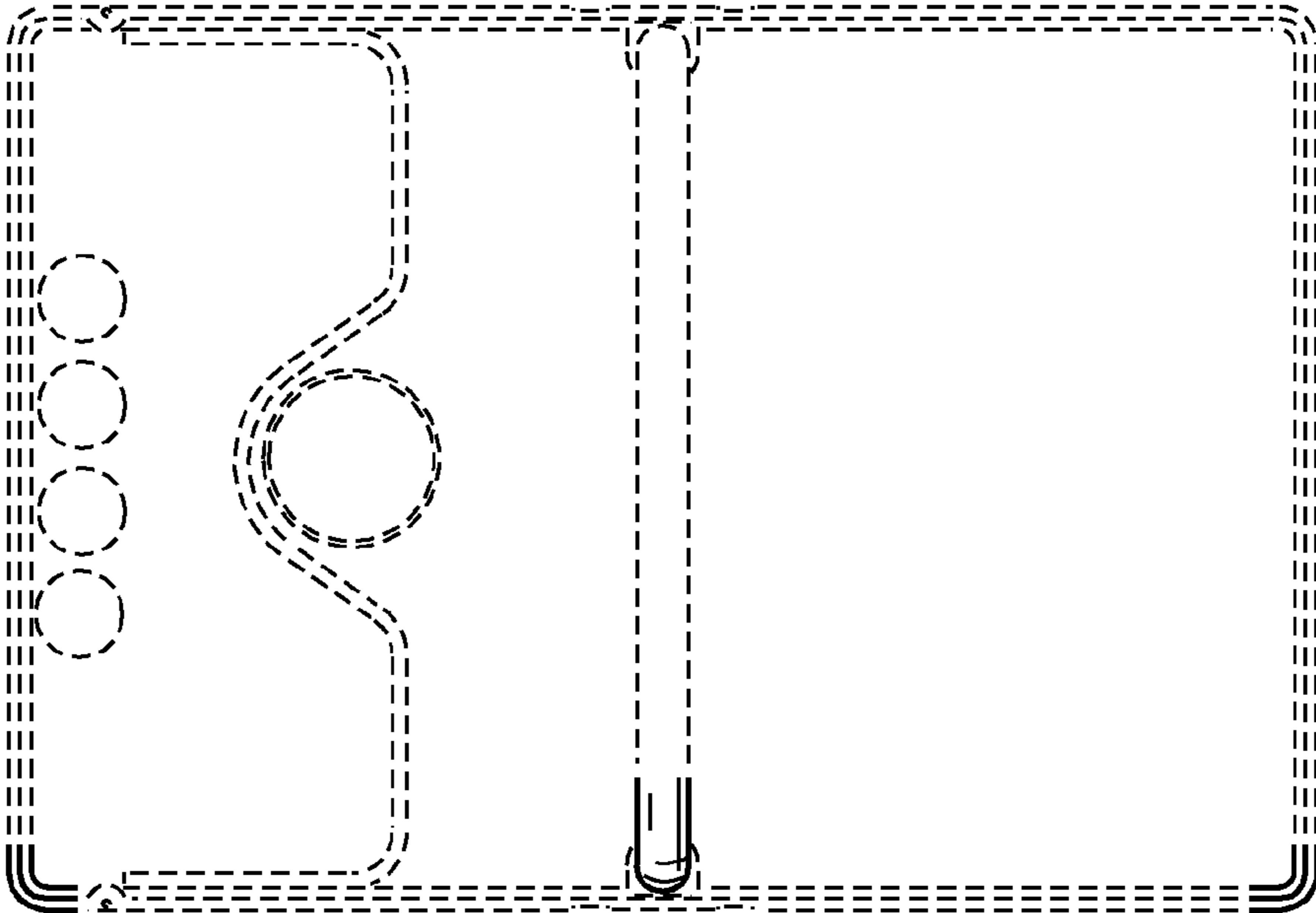


FIG. 2

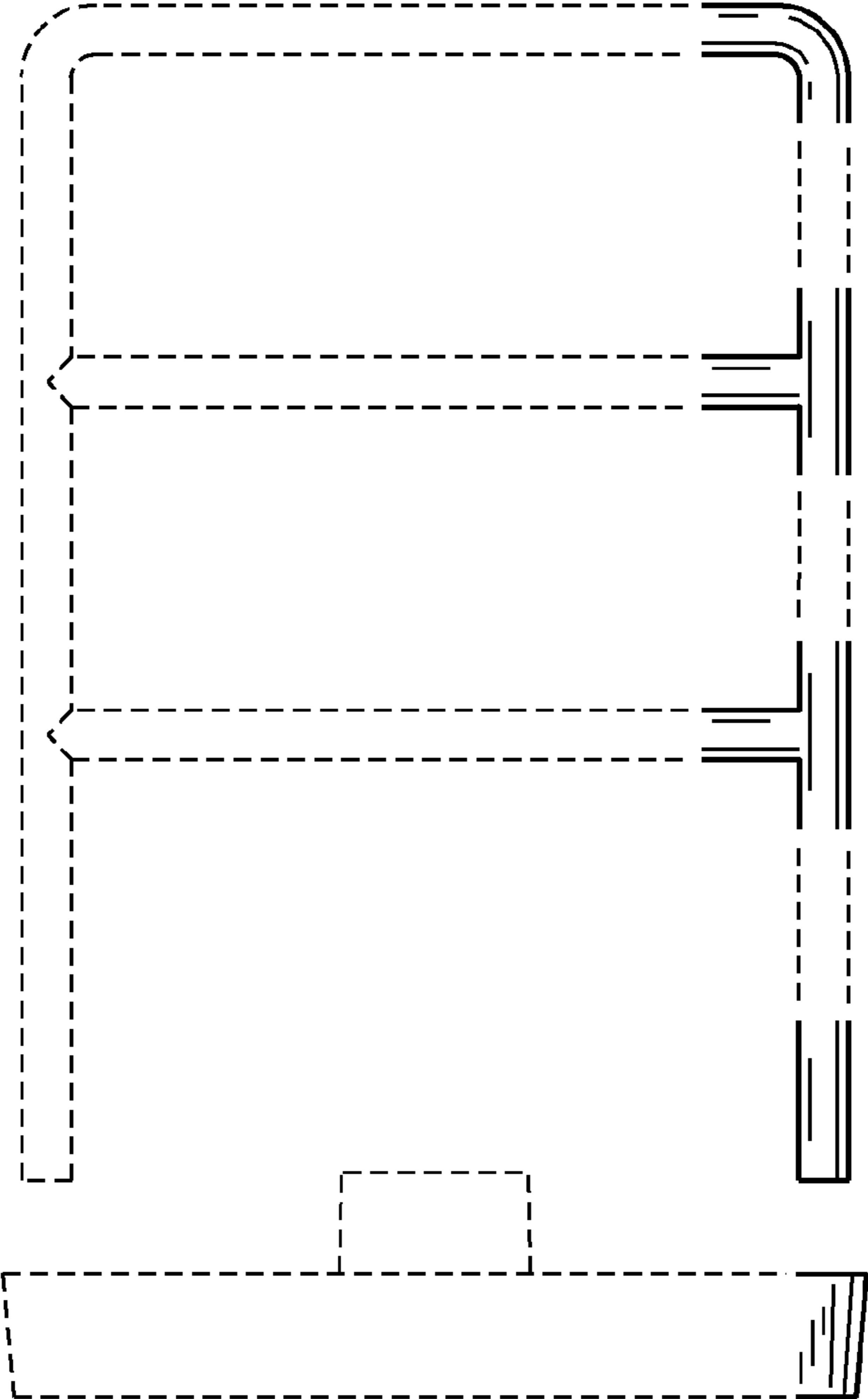


FIG. 3

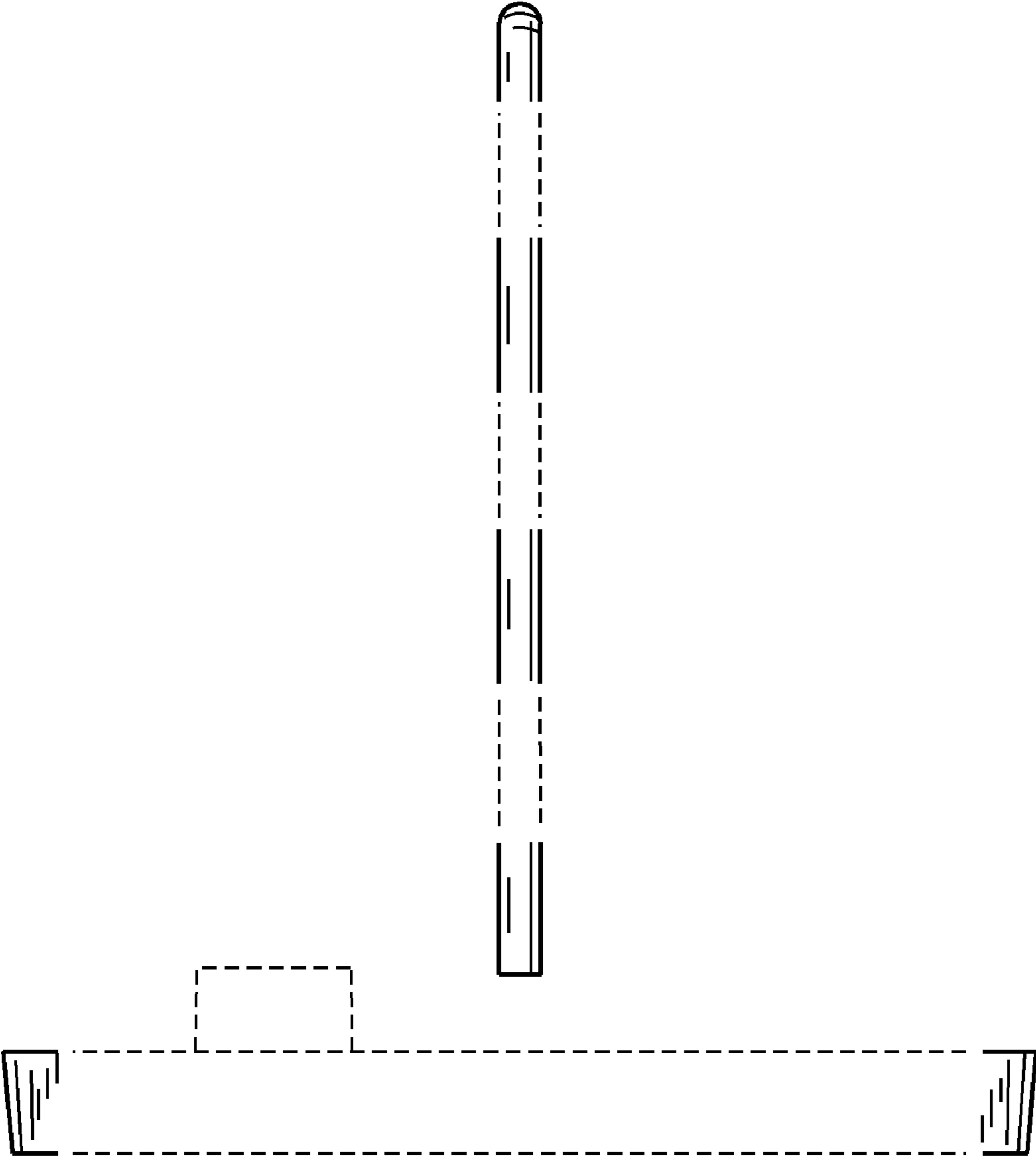


FIG. 4

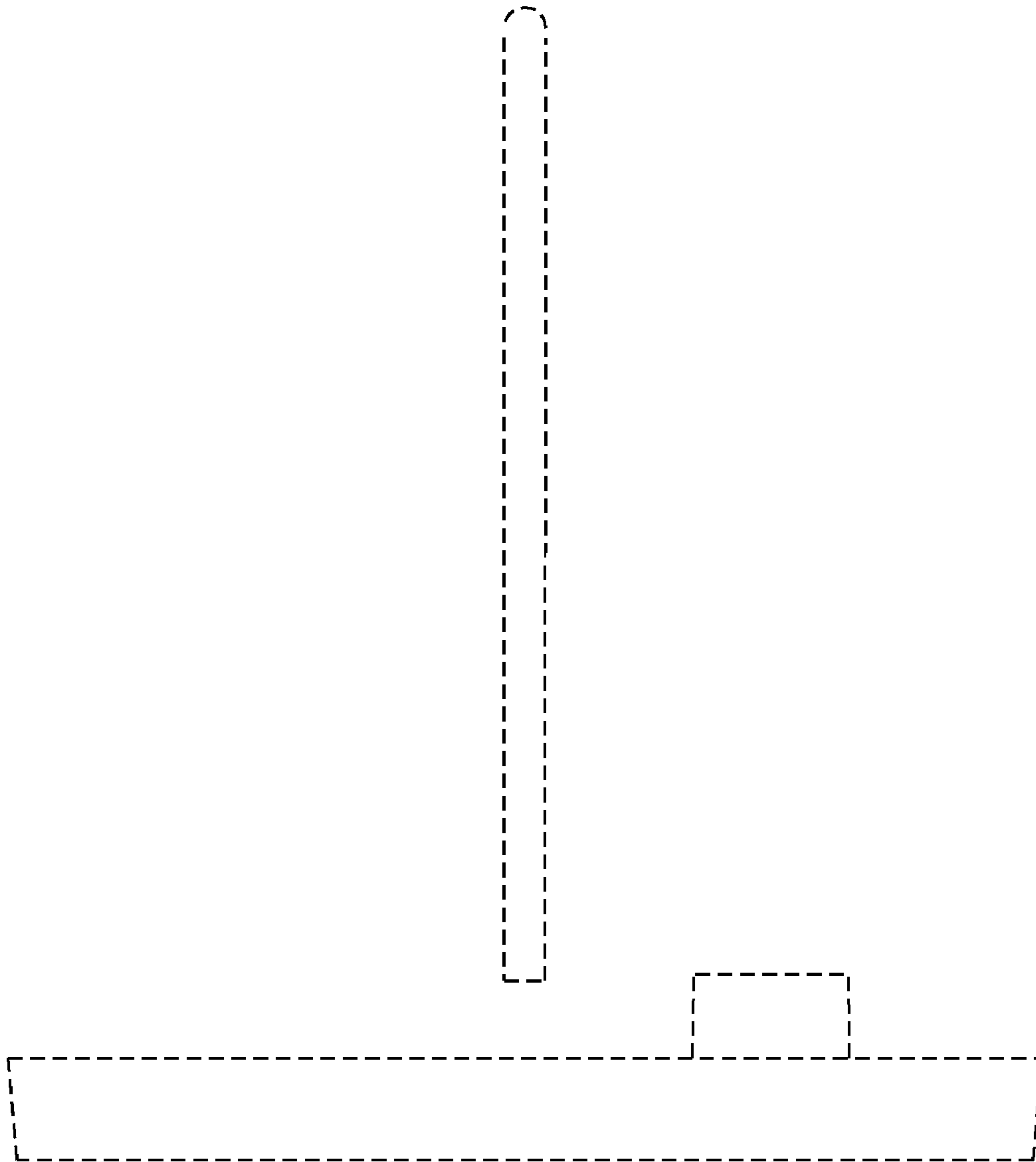


FIG. 5

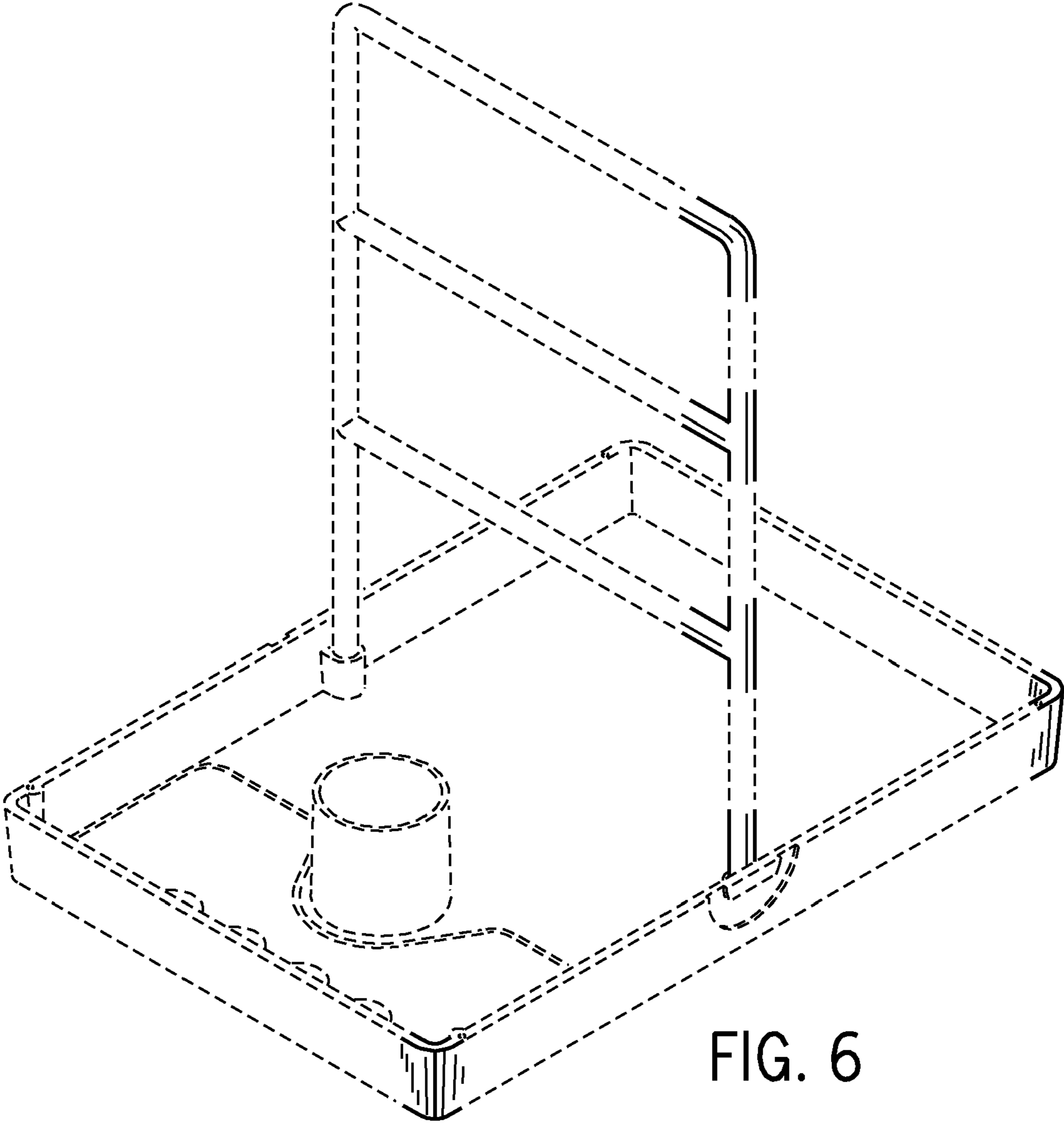


FIG. 6

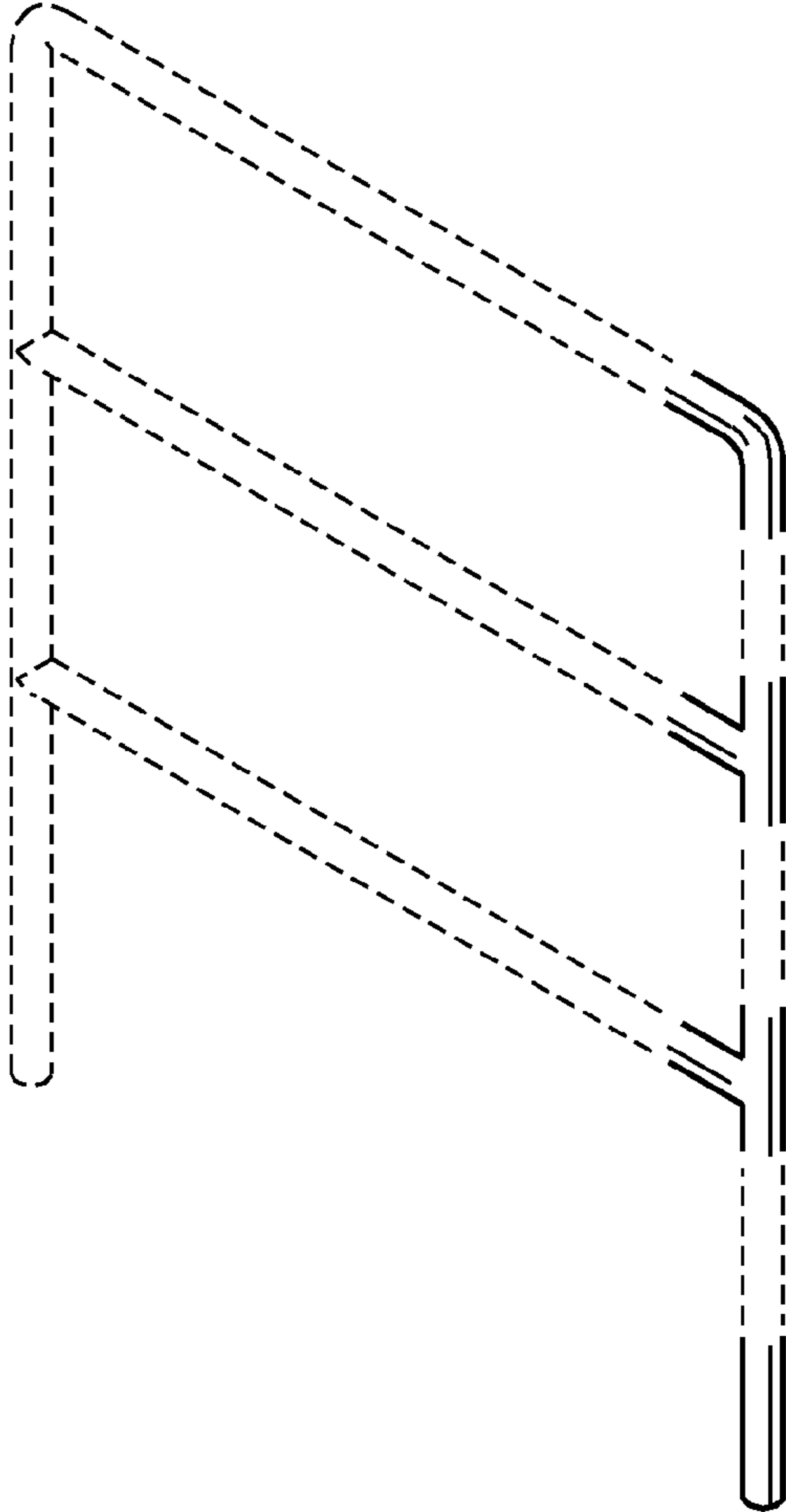
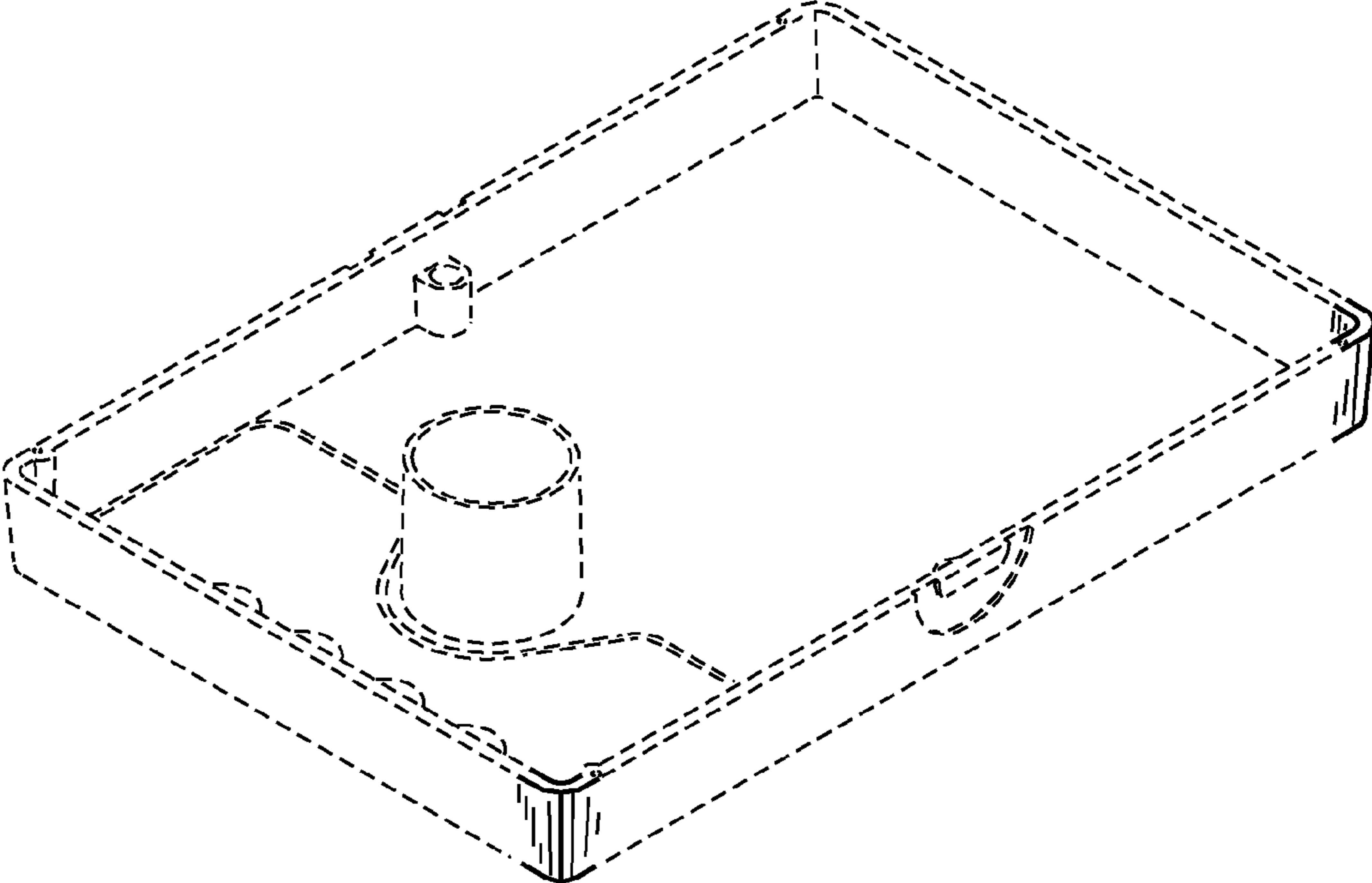


FIG. 7



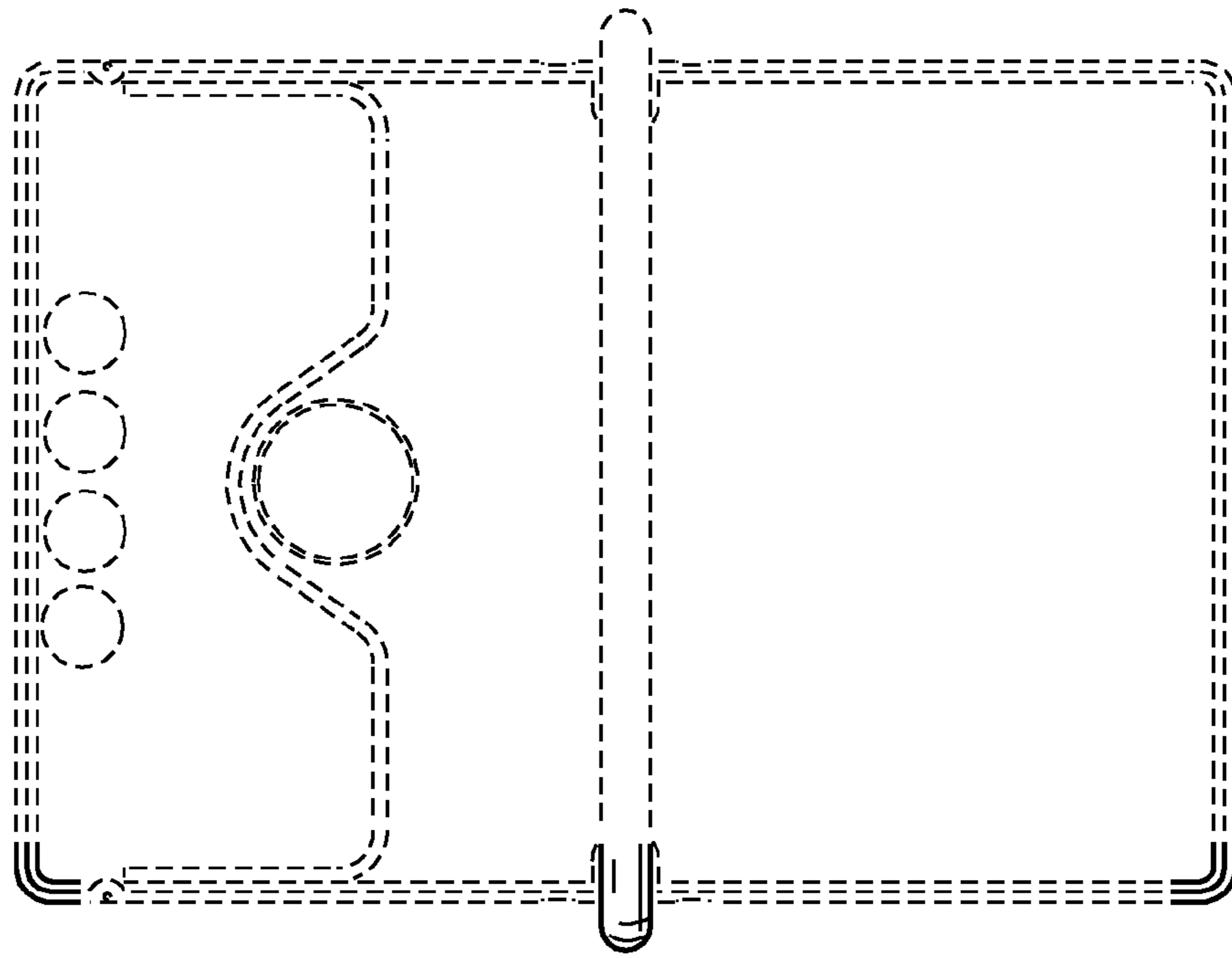


FIG. 8

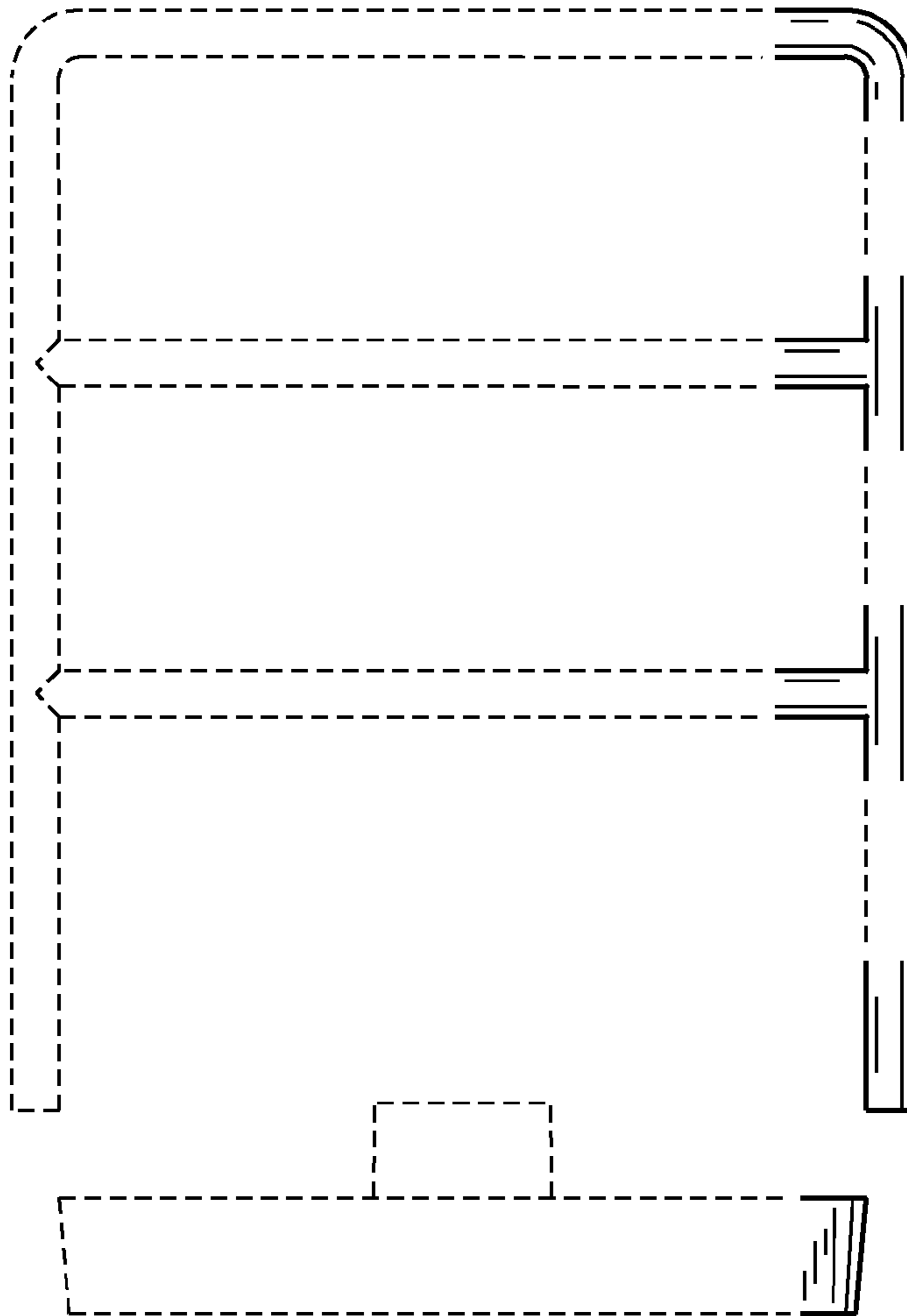


FIG. 9



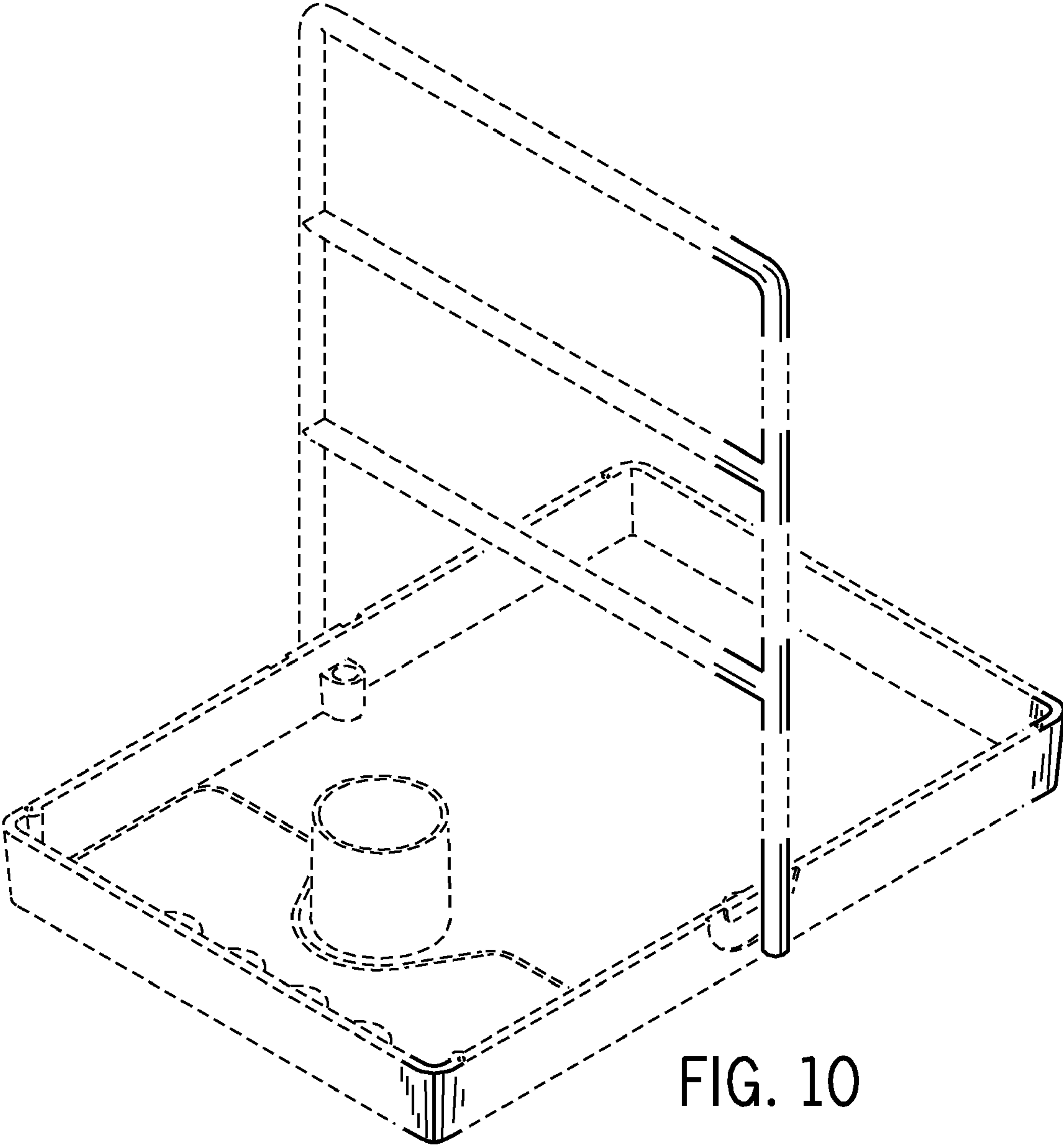


FIG. 10