



US00D635193S

(12) **United States Design Patent**
Renteria

(10) **Patent No.:** **US D635,193 S**

(45) **Date of Patent:** **** *Mar. 29, 2011**

(54) **FOLD OUT LABEL**

(75) Inventor: **Jose Carlos Renteria**, Jalisco (MX)

(73) Assignee: **Conwed Plastics LLC**, Minneapolis, MN (US)

(*) Notice: This patent is subject to a terminal disclaimer.

(**) Term: **14 Years**

(21) Appl. No.: **29/282,391**

(22) Filed: **Jul. 18, 2007**

(51) **LOC (9) Cl.** **19-08**

(52) **U.S. Cl.** **D20/27; D20/22**

(58) **Field of Classification Search** D20/10,
D20/11, 22-28, 40, 42, 99; 40/124.01, 124.06,
40/124.09, 124.12, 124.13, 538, 584, 641,
40/642.02, 672, 673; D19/1-3; 229/80,
229/87.01, 92.5, 92.7; 283/45, 61, 56, 71,
283/81

See application file for complete search history.

(56) **References Cited**

U.S. PATENT DOCUMENTS

246,298	A *	8/1881	Eckman	229/87.01
730,933	A *	6/1903	Lawson	229/92.7
D220,790	S *	5/1971	Rives	D20/28
D239,111	S *	3/1976	Caprile	D19/3
4,044,942	A *	8/1977	Sherwood	229/305

4,614,364	A *	9/1986	Bortner	283/45
5,803,889	A *	9/1998	Littman	493/267
5,873,603	A *	2/1999	Carless et al.	283/61
5,913,472	A *	6/1999	Dahlquist	229/80
D508,946	S *	8/2005	Sato	D19/3
2006/0000134	A1 *	1/2006	Windorski	40/641
2007/0144044	A1 *	6/2007	Kershner et al.	40/124.06
2008/0238085	A1 *	10/2008	Volpe	283/81
2009/0222334	A1 *	9/2009	Shepherd et al.	40/584

* cited by examiner

Primary Examiner — Mary Ann Calabrese

(74) *Attorney, Agent, or Firm* — Brooks Kushman P.C.

(57) **CLAIM**

The ornamental design for a fold out label, as shown and described.

DESCRIPTION

FIG. 1 is a perspective view showing my new design for fold out label

FIG. 2 is an enlarged top view of my design shown in FIG. 1

FIG. 3 is an extended view of my design shown in FIG. 1

FIG. 4 is a frontal view of my design shown in FIG. 1

FIG. 5 is a back view of my design shown in FIG. 1

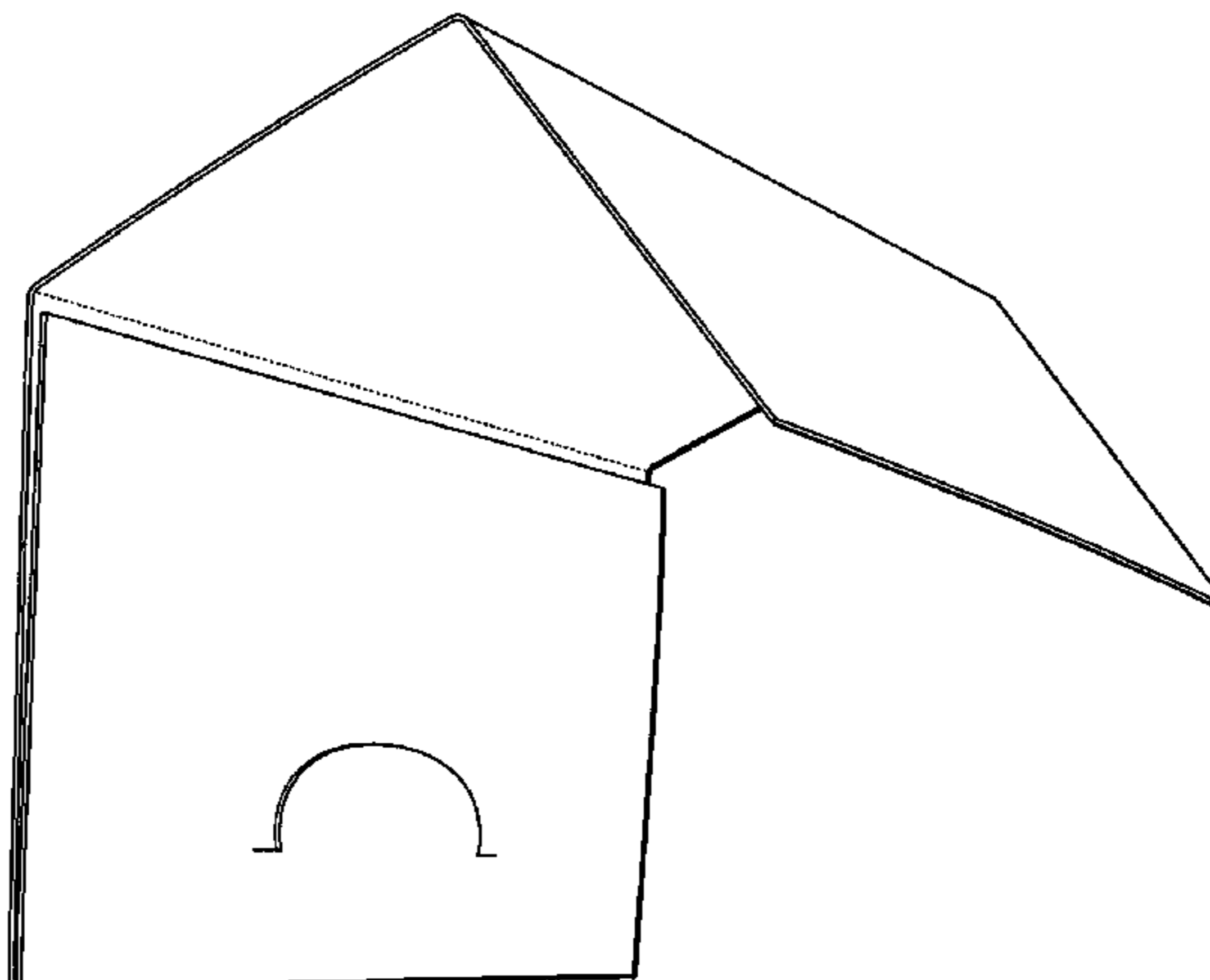
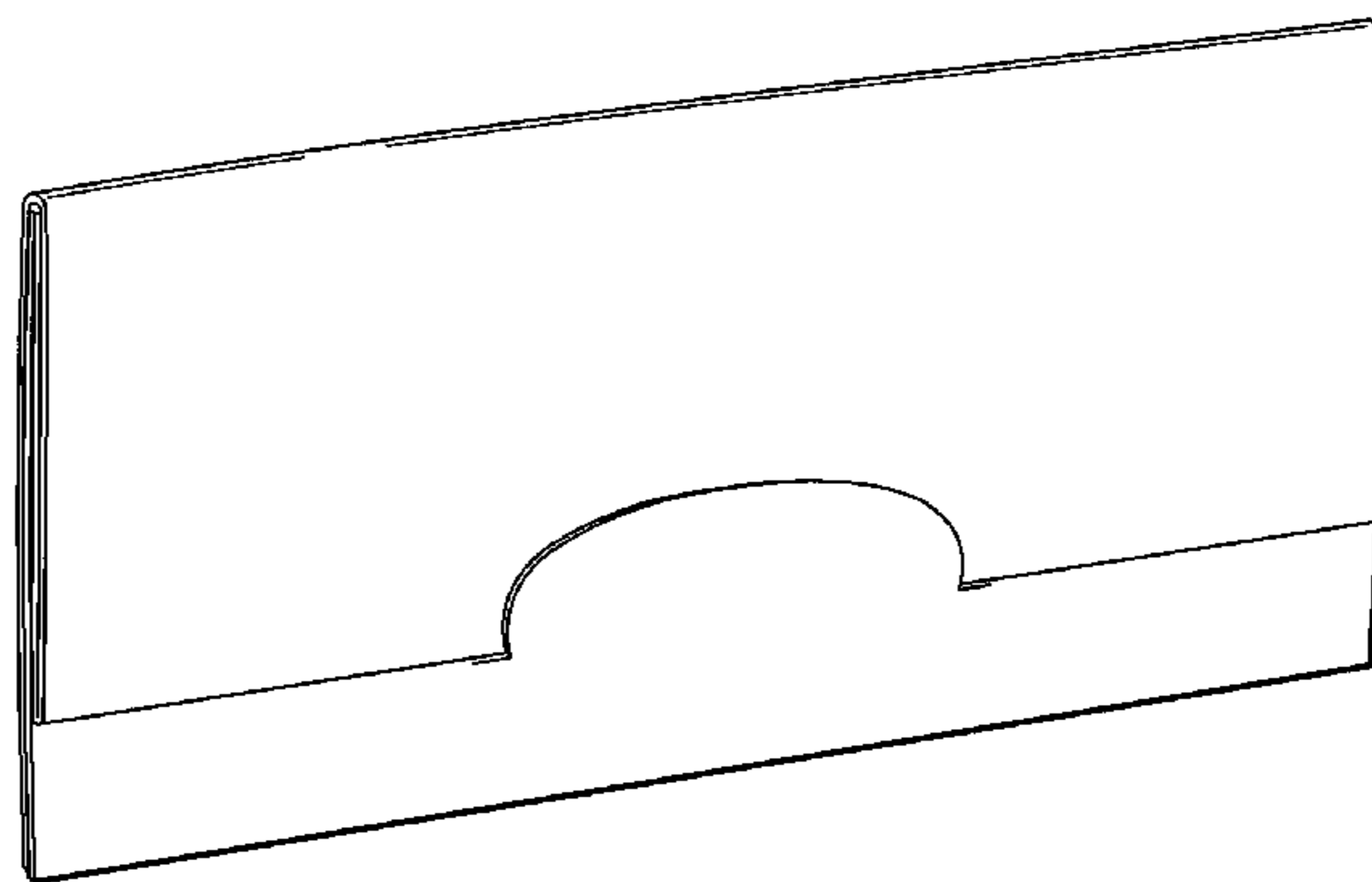
FIG. 6 is a perspective semi open view of my design shown in FIG. 1

FIG. 7 is a perspective semi open back view of my design shown in FIG. 1; and,

FIG. 8 is an enlarged side view of my design shown in FIG. 1.

In the drawings, the broken lines represent fold lines.

1 Claim, 4 Drawing Sheets



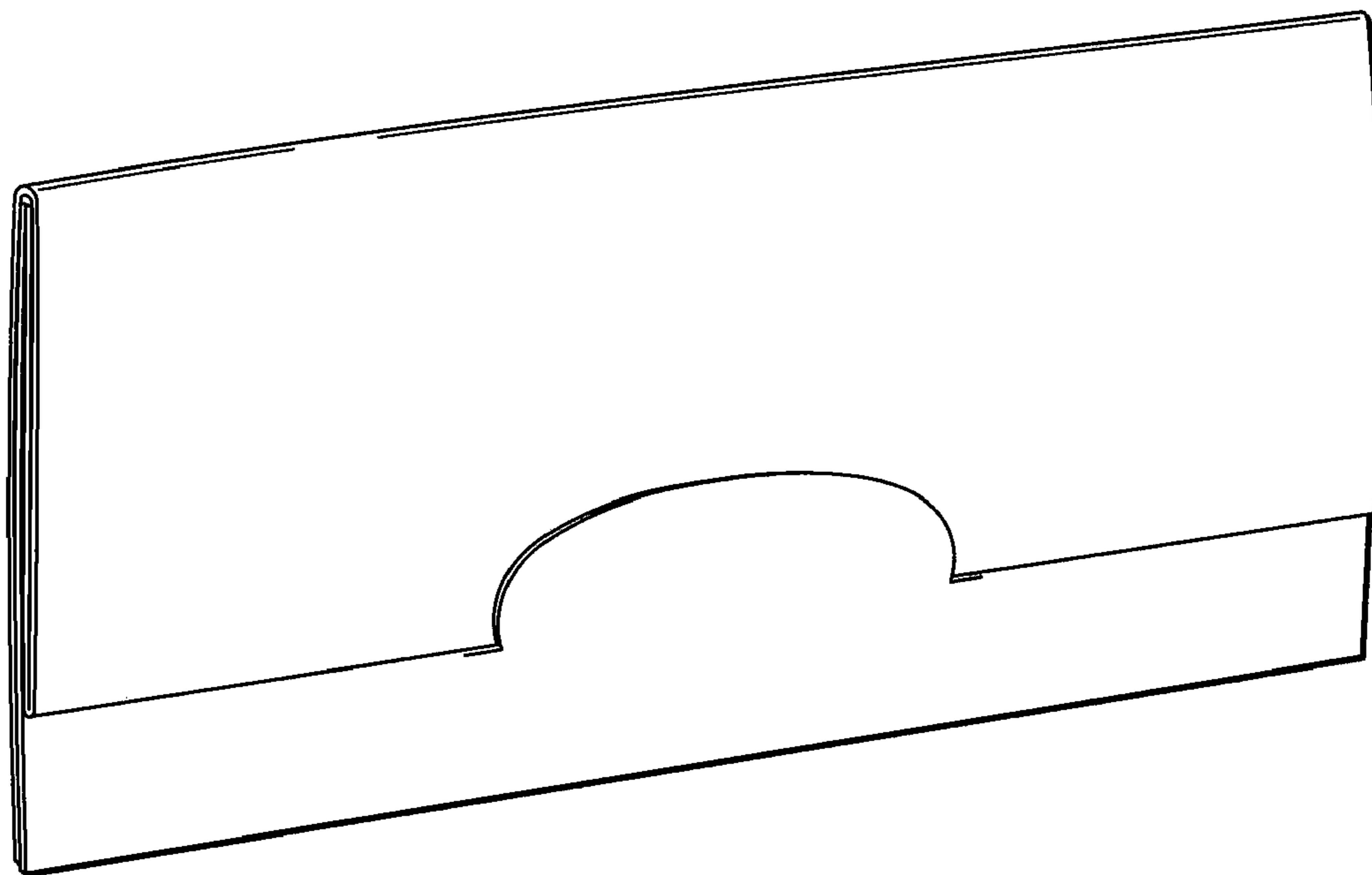


Fig. 1



Fig. 2

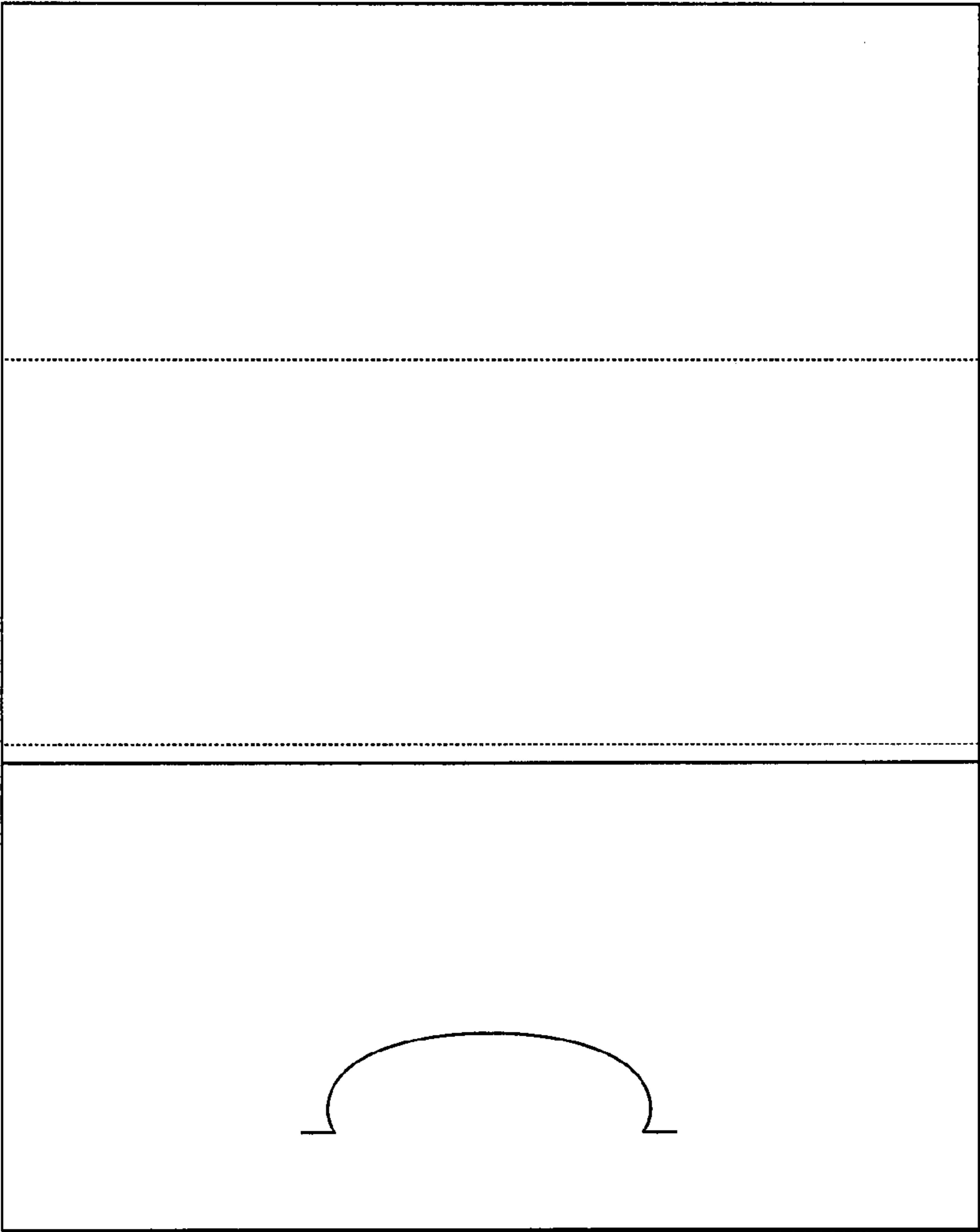


Fig. 3

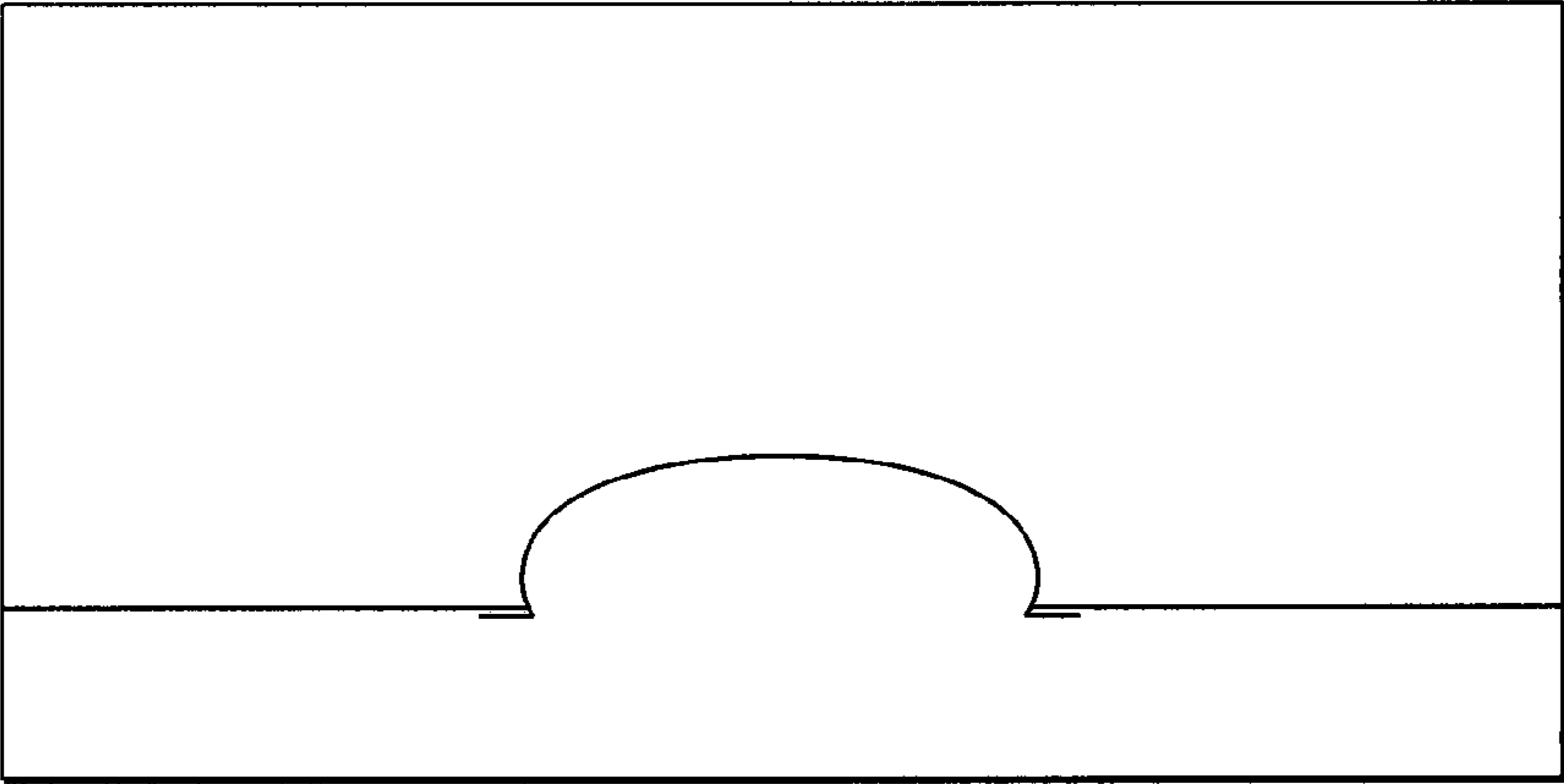


Fig. 4



Fig. 5

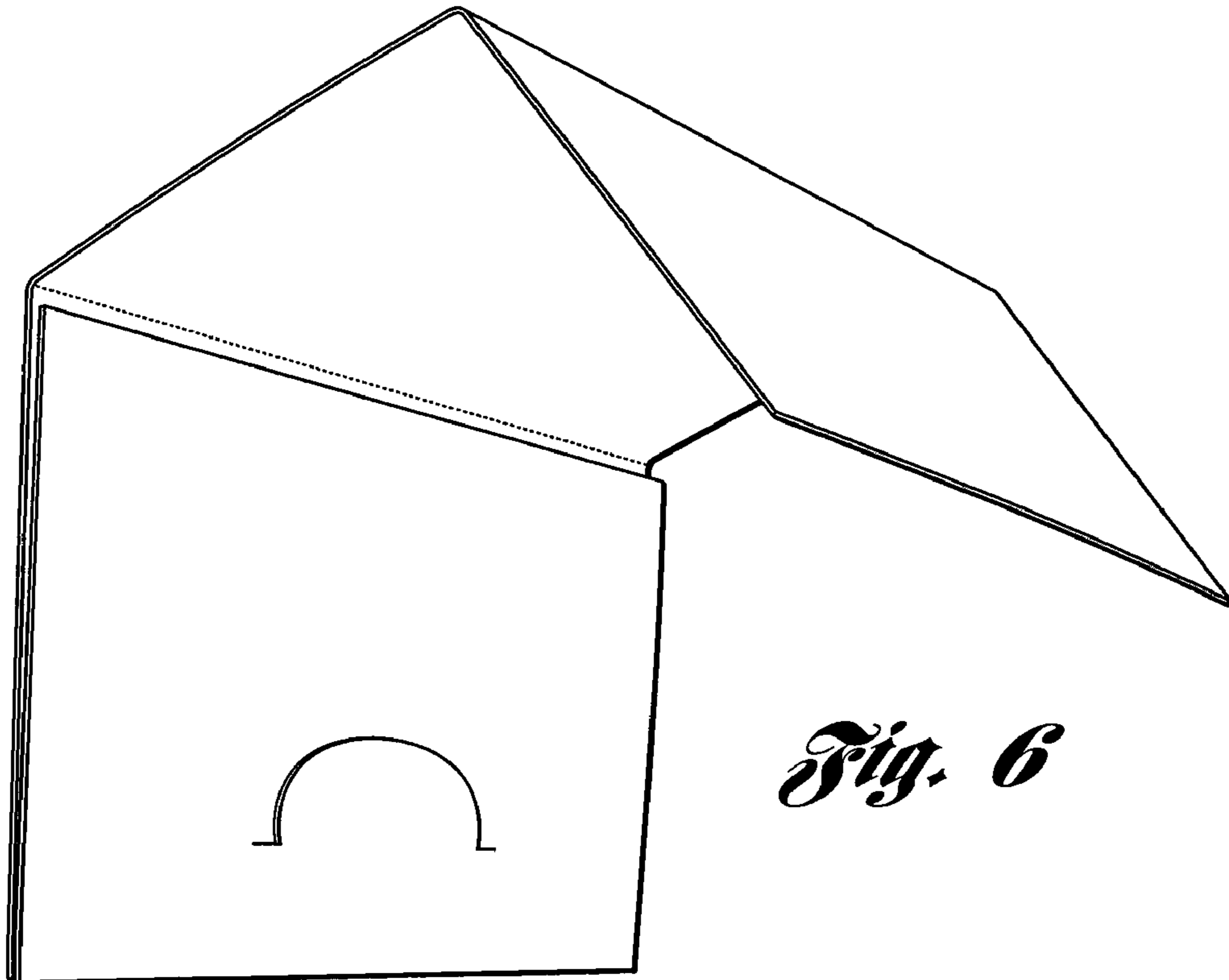


Fig. 6

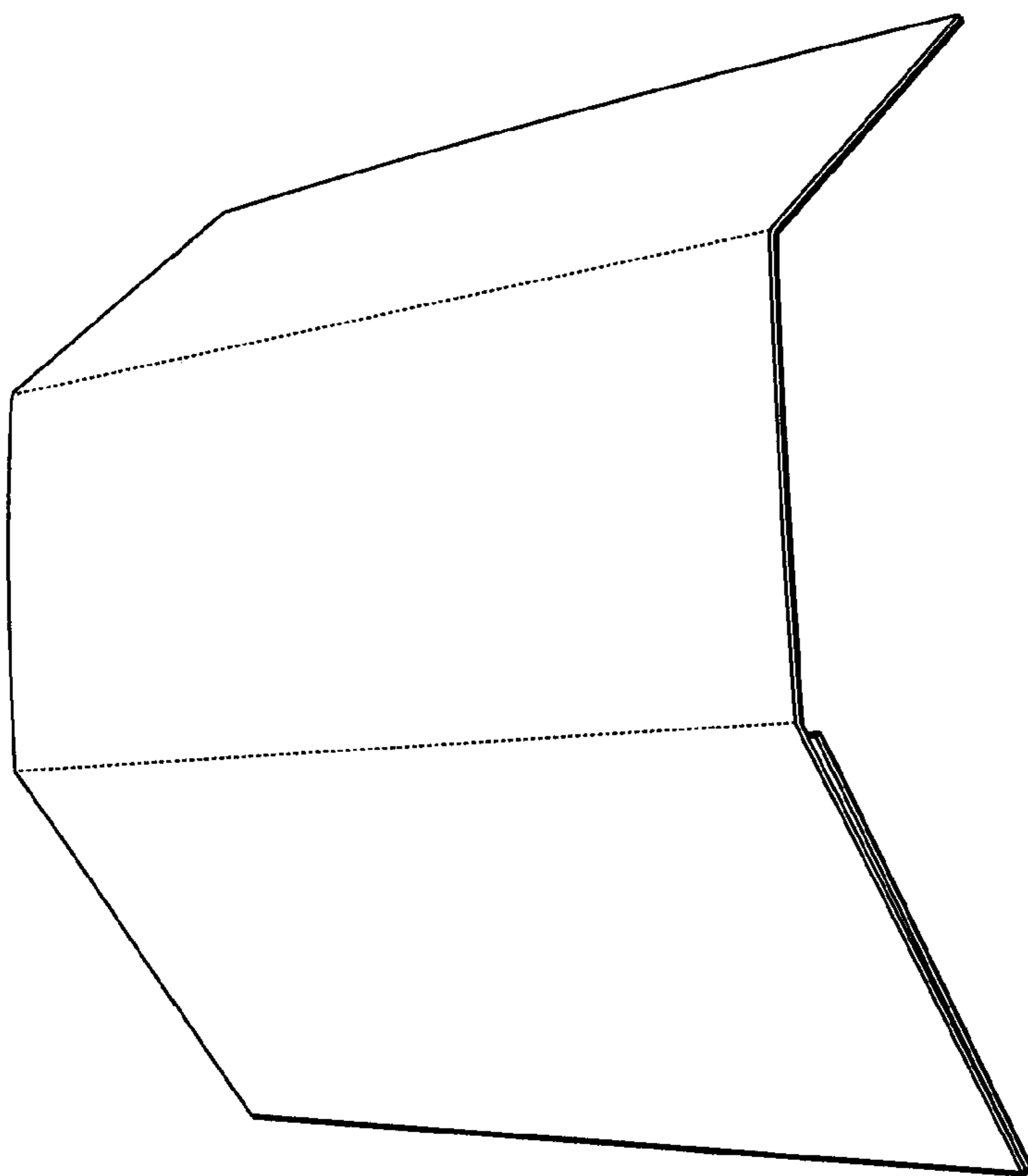


Fig. 7



Fig. 8