



US00D635192S

(12) **United States Design Patent**  
**Chuang**

(10) **Patent No.:** **US D635,192 S**  
(45) **Date of Patent:** **\*\* Mar. 29, 2011**

- (54) **PAPER TRAY**
- (75) Inventor: **Chih-Wei Chuang**, Edison, NJ (US)
- (73) Assignee: **Officemate International Corp.**,  
Edison, NJ (US)
- (\*\*) Term: **14 Years**
- (21) Appl. No.: **29/349,197**
- (22) Filed: **Mar. 16, 2010**
- (51) **LOC (9) Cl.** ..... **19-02**
- (52) **U.S. Cl.** ..... **D19/92**
- (58) **Field of Classification Search** ..... D6/449,  
D6/471, 474, 477, 478, 479, 553; D19/75,  
D19/77, 78, 86-87, 90-92; 206/215; 211/10,  
211/11, 45, 50, 55, 126.1, 126.2, 126.13,  
211/126.16

See application file for complete search history.

(56) **References Cited**

**U.S. PATENT DOCUMENTS**

|           |     |         |                |       |        |
|-----------|-----|---------|----------------|-------|--------|
| 2,704,974 | A * | 3/1955  | Steman         | ..... | 99/422 |
| D179,534  | S * | 1/1957  | Bullock et al. | ..... | D19/92 |
| D187,830  | S * | 5/1960  | Lewis          | ..... | D19/92 |
| D251,251  | S * | 3/1979  | Tiedemann      | ..... | D19/20 |
| D260,907  | S * | 9/1981  | Giulie et al.  | ..... | D19/92 |
| D275,771  | S * | 10/1984 | Evans          | ..... | D19/92 |
| D335,505  | S * | 5/1993  | Chan           | ..... | D19/92 |
| D348,904  | S * | 7/1994  | Linder         | ..... | D19/92 |

|           |      |         |                 |       |           |
|-----------|------|---------|-----------------|-------|-----------|
| 5,363,974 | A *  | 11/1994 | Chan            | ..... | 211/126.2 |
| D357,355  | S *  | 4/1995  | Demarest et al. | ..... | D3/304    |
| D374,057  | S *  | 9/1996  | Demarest et al. | ..... | D22/122   |
| 5,641,074 | A *  | 6/1997  | Smed            | ..... | 211/11    |
| 5,775,521 | A *  | 7/1998  | Tisbo           | ..... | 211/94.01 |
| D428,059  | S *  | 7/2000  | Saylor et al.   | ..... | D19/92    |
| 6,189,705 | B1 * | 2/2001  | Saylor et al.   | ..... | 211/11    |
| D438,568  | S *  | 3/2001  | Saylor et al.   | ..... | D19/92    |
| D445,136  | S *  | 7/2001  | Saylor et al.   | ..... | D19/92    |
| D480,111  | S *  | 9/2003  | White et al.    | ..... | D19/92    |
| 7,328,799 | B2 * | 2/2008  | Eby et al.      | ..... | 206/515   |
| 7,771,992 | B2 * | 8/2010  | McCormick       | ..... | 435/307.1 |

\* cited by examiner

*Primary Examiner* — Elizabeth A Albert

(74) *Attorney, Agent, or Firm* — Daniel Kirshner

(57) **CLAIM**

The ornamental design for a paper tray, as shown and described.

**DESCRIPTION**

FIG. 1 is a front perspective view of a paper tray showing the new design;

FIG. 2 is a rear perspective view thereof;

FIG. 3 is a front view thereof;

FIG. 4 is a rear view thereof;

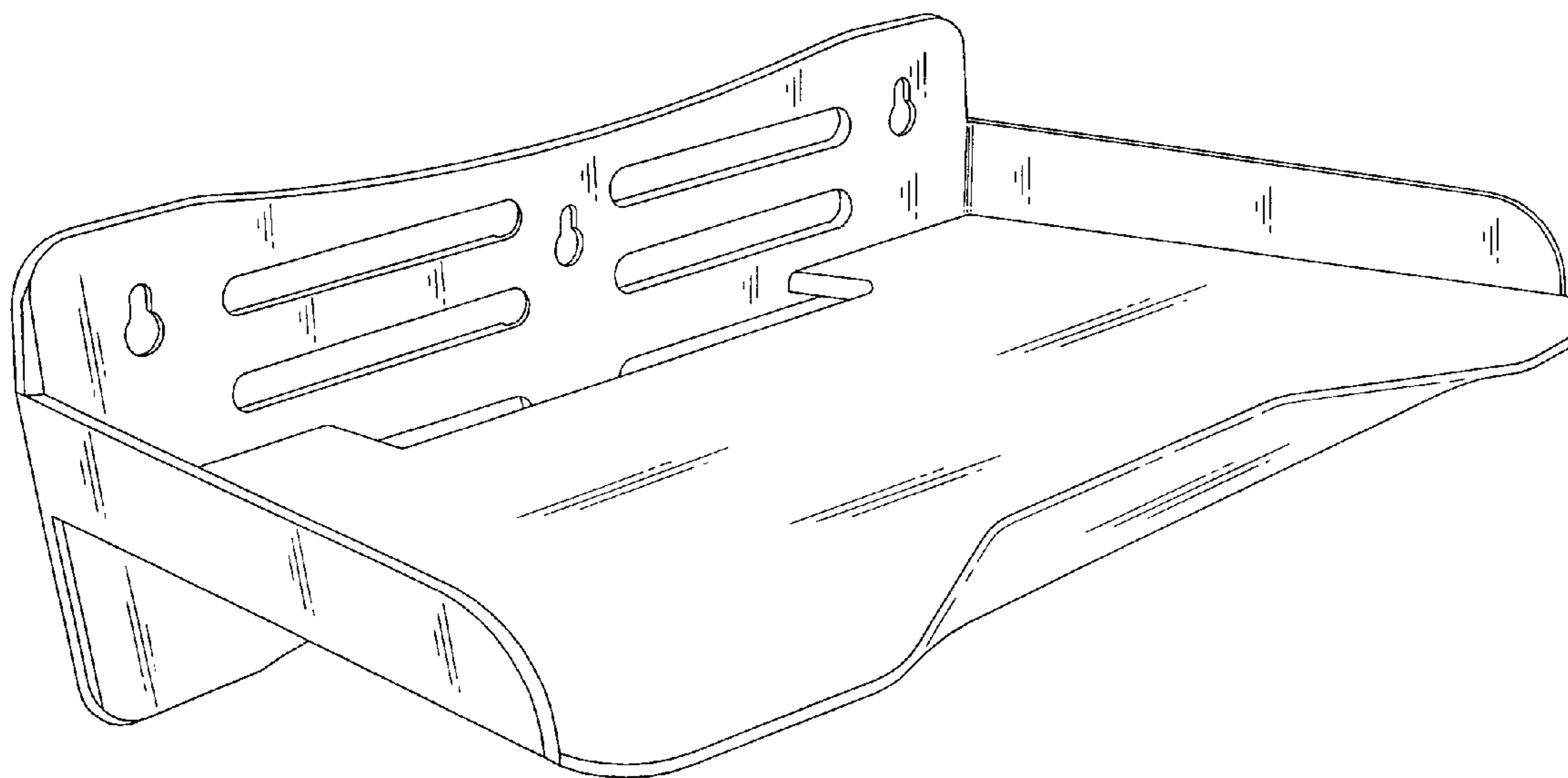
FIG. 5 is a left side view thereof;

FIG. 6 is a right side view thereof;

FIG. 7 is a top view thereof; and,

FIG. 8 is a bottom view thereof.

**1 Claim, 8 Drawing Sheets**



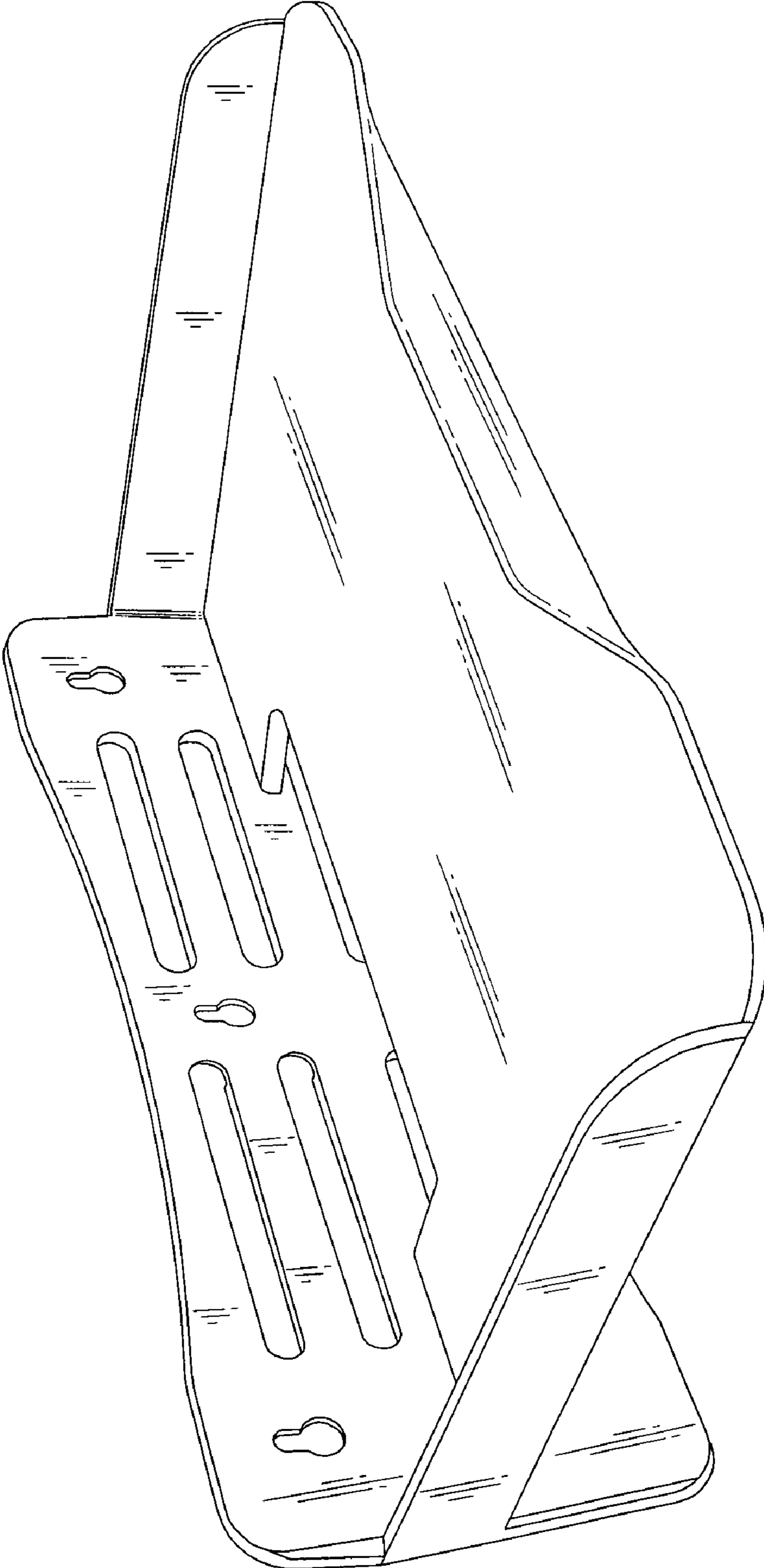


FIG. 1

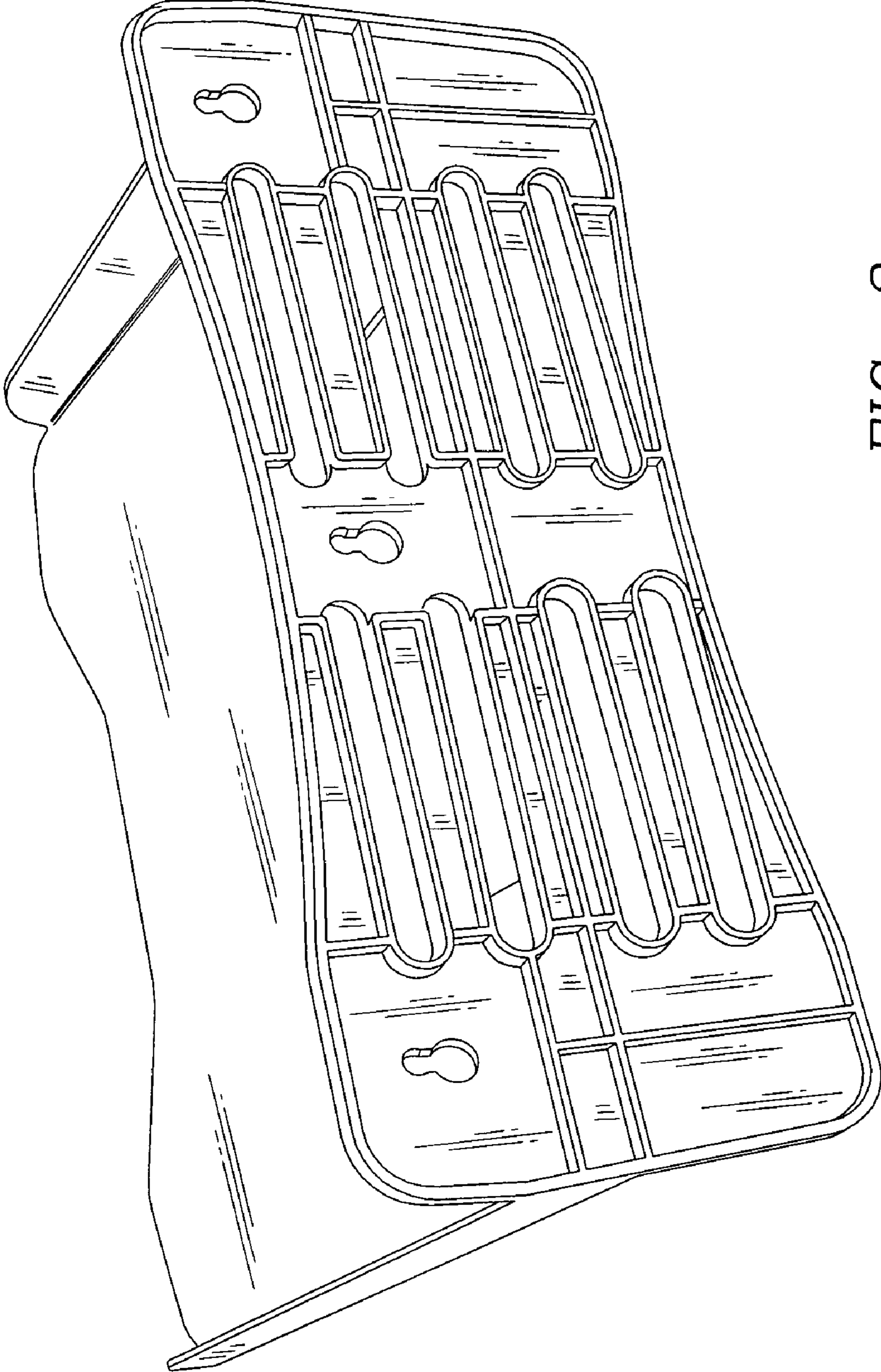


FIG. 2

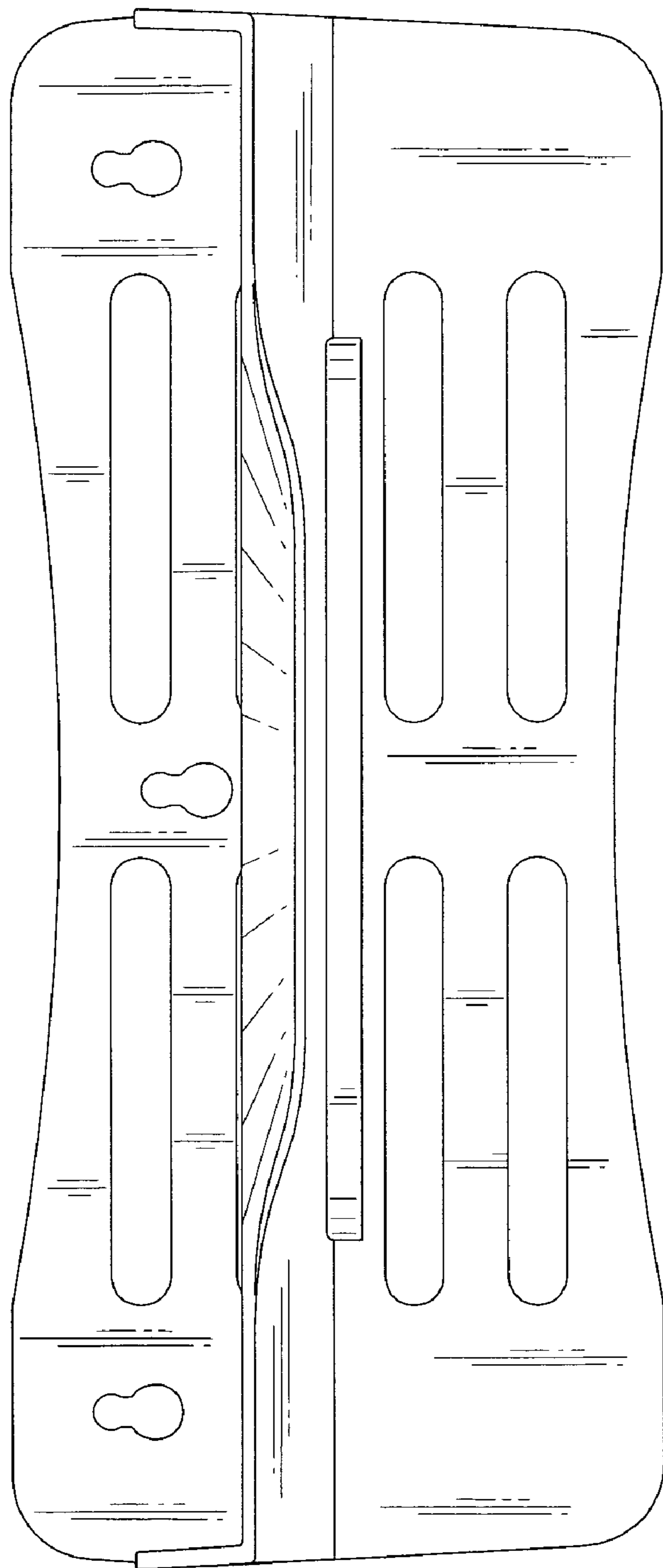


FIG. 3

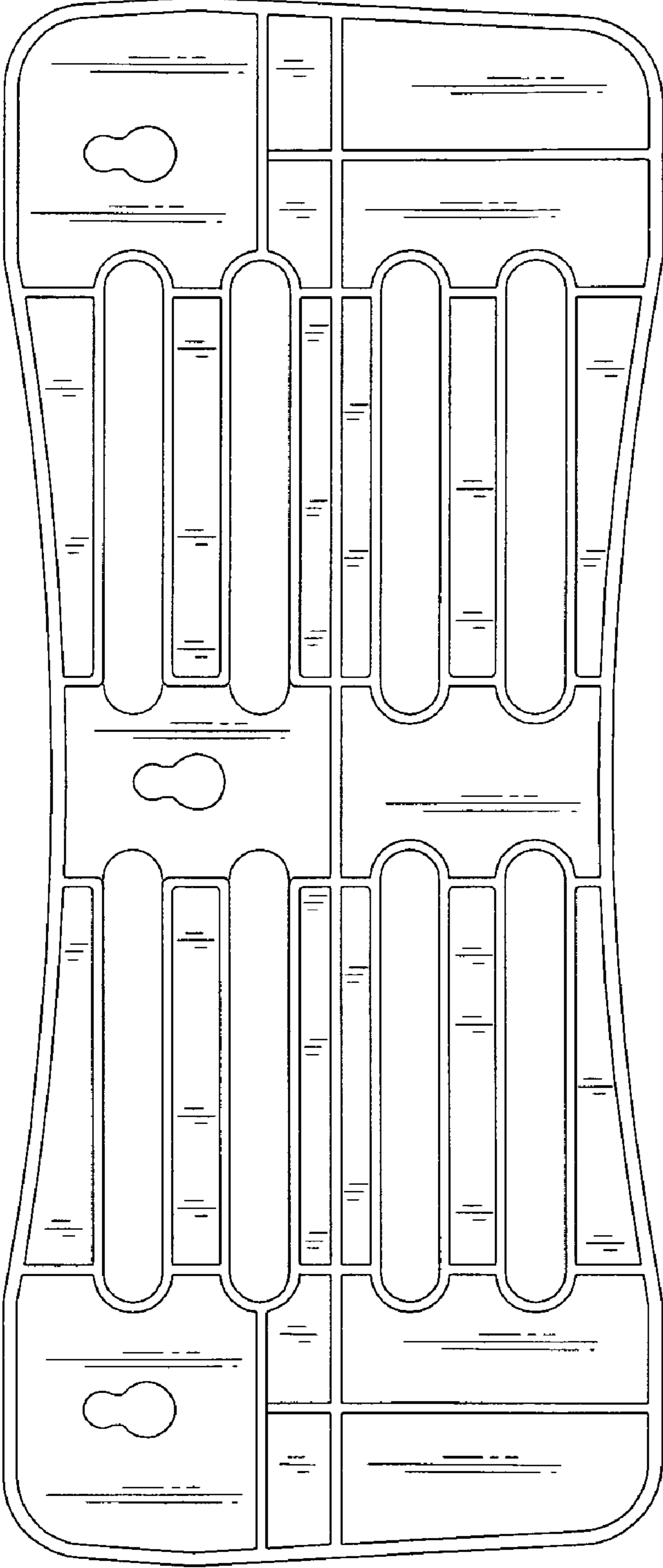


FIG. 4

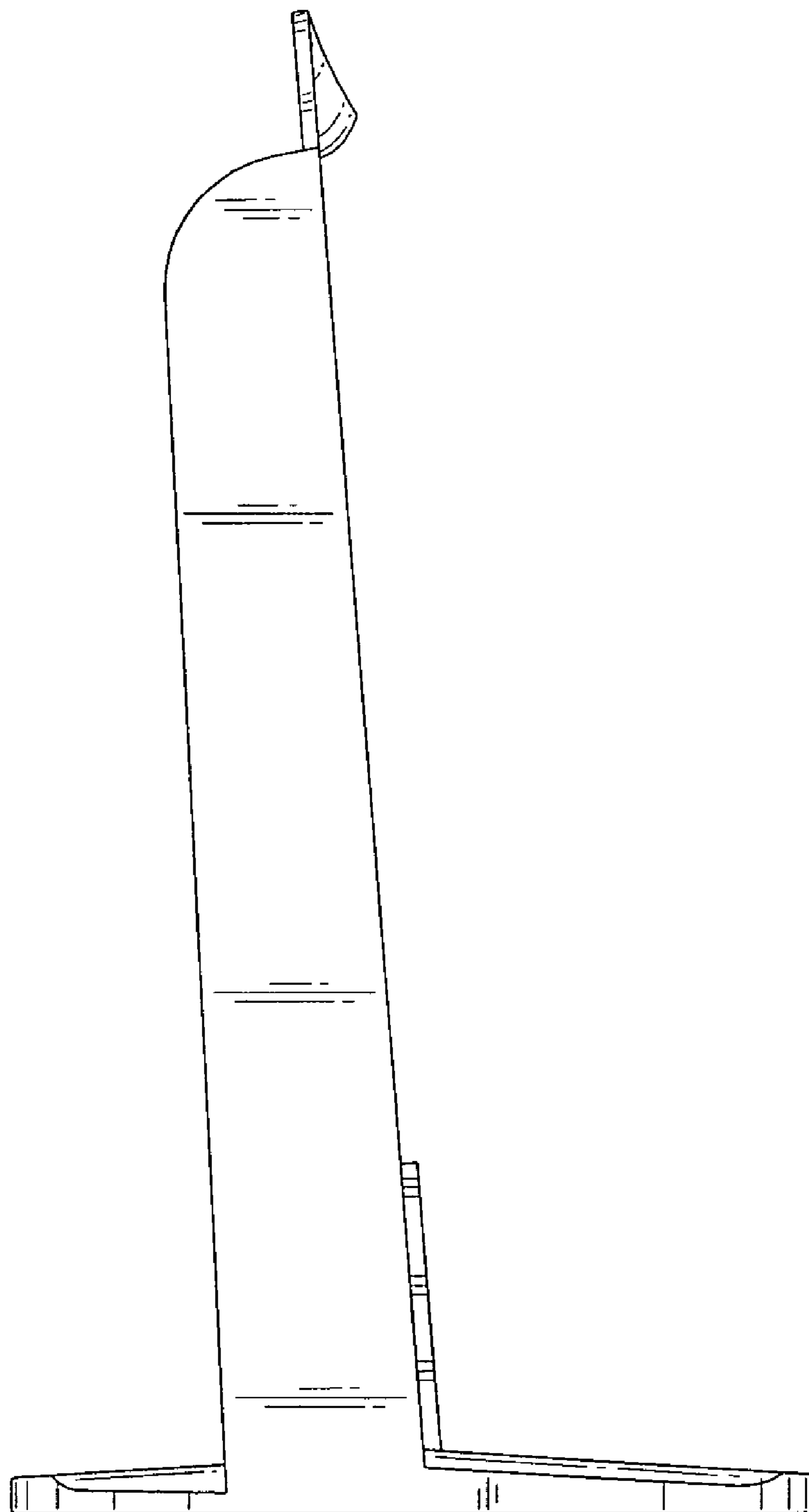


FIG. 5

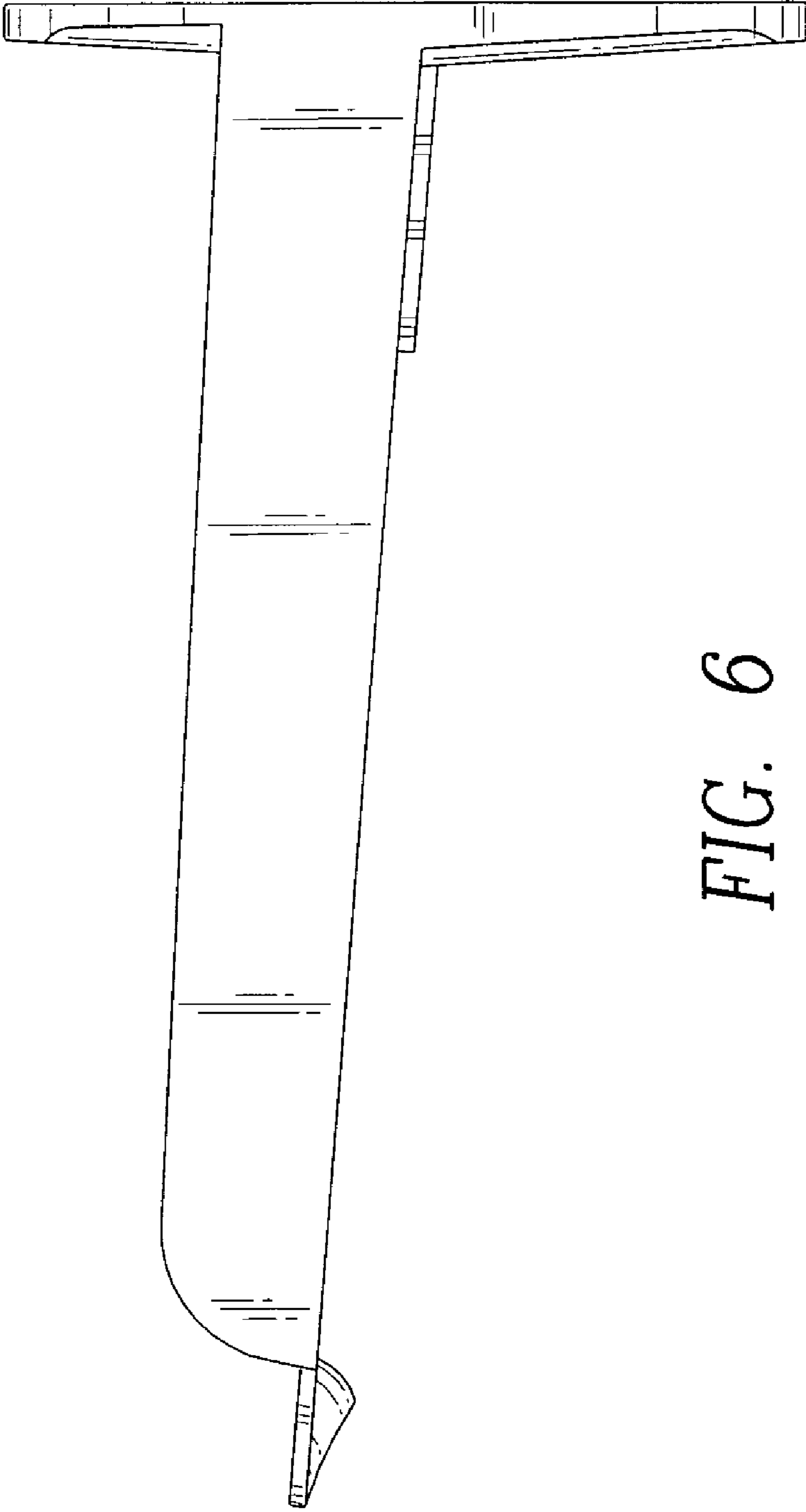


FIG. 6

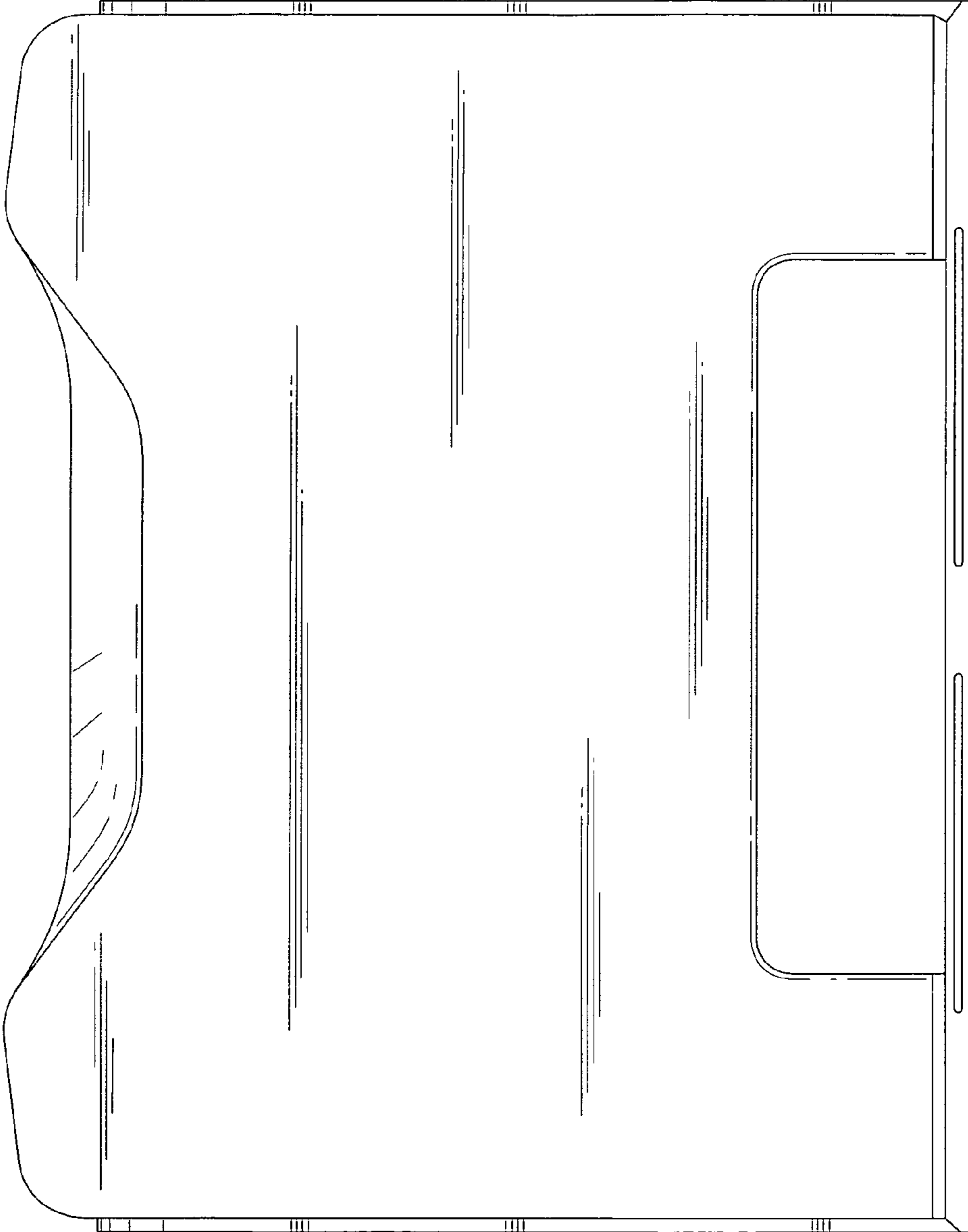


FIG. 7



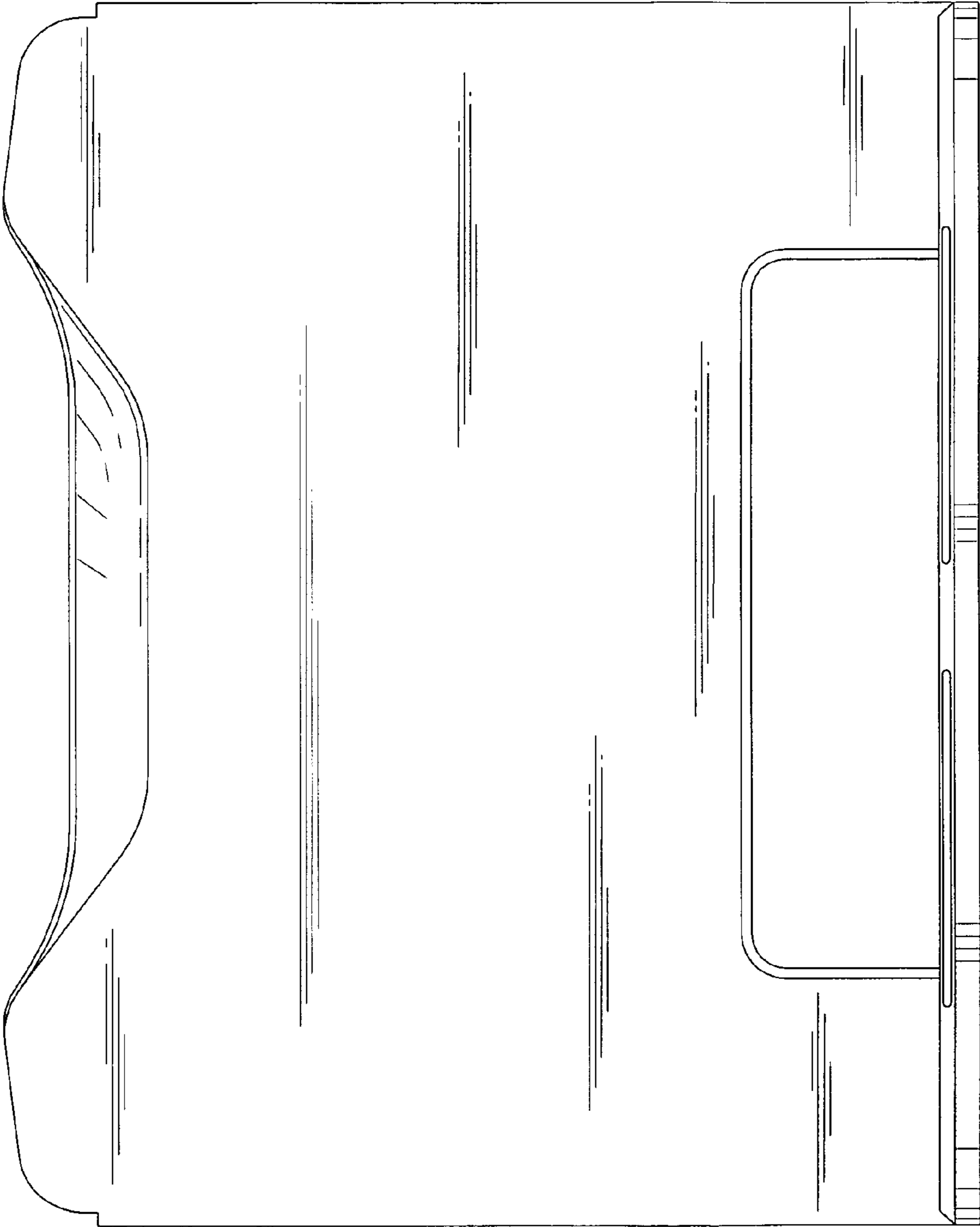


FIG. 8