



US00D635191S

(12) **United States Design Patent**
Cheetwood

(10) **Patent No.:** **US D635,191 S**

(45) **Date of Patent:** **** Mar. 29, 2011**

(54) **CARD HOLDER**

(76) Inventor: **Craig Cheetwood**, Maumee, OH (US)

(**) Term: **14 Years**

(21) Appl. No.: **29/357,883**

(22) Filed: **Mar. 18, 2010**

(51) **LOC (9) Cl.** **19-02**

(52) **U.S. Cl.** **D19/91**

(58) **Field of Classification Search** D6/449,
D6/466, 467, 512; D19/75, 77, 78, 86-87,
D19/90-92; D21/392; 206/215; 211/10,
211/11, 45, 50, 55; 248/473; 273/148 A,
273/150

See application file for complete search history.

(56) **References Cited**

U.S. PATENT DOCUMENTS

D9,767	S	*	2/1877	Norton	D9/782
600,879	A	*	3/1898	Louden	211/153
805,895	A	*	11/1905	Wedderburn	273/150
1,475,134	A	*	11/1923	Oakes	248/468
1,508,082	A	*	9/1924	Boeppler	273/150
1,569,701	A	*	1/1926	Bostrom	273/150
1,588,618	A	*	6/1926	Rosen	273/150
2,311,218	A	*	2/1943	Fandrich	40/124.19
D161,840	S	*	2/1951	Hopp	D19/25
2,598,890	A	*	6/1952	Cisi et al.	40/618
2,824,741	A	*	2/1958	Wiley	273/299
3,913,923	A	*	10/1975	Wapner	273/148 A
D268,852	S	*	5/1983	Rasmussen	D21/396
D293,984	S	*	2/1988	Finger	D6/431
5,029,797	A	*	7/1991	Levorchick et al.	248/459
D325,933	S	*	5/1992	Torgison	D19/78

D328,314	S	*	7/1992	MacEwan	D19/91
D331,941	S	*	12/1992	Meumann	D19/77
D340,747	S	*	10/1993	Ward	D21/392
D347,451	S	*	5/1994	Kazakowitz	D21/392
D372,742	S	*	8/1996	Kakudo	D21/392
D389,870	S	*	1/1998	Hart et al.	D19/90
D393,045	S	*	3/1998	Hsu	D20/43
D424,125	S	*	5/2000	Cregan	D21/392
D431,052	S	*	9/2000	Wilcox	D21/392
D452,532	S	*	12/2001	Ornelas	D19/90
D457,015	S	*	5/2002	Laga et al.	D6/467
6,964,402	B2	*	11/2005	Savalas	248/441.1
D521,079	S	*	5/2006	Bertrand	D21/392
D597,604	S	*	8/2009	E	D19/91
7,568,698	B2	*	8/2009	Bertrand	273/150

* cited by examiner

Primary Examiner — Elizabeth A Albert

(74) *Attorney, Agent, or Firm* — Fraser Clemens Martin & Miller LLC; Jacob M. Ward

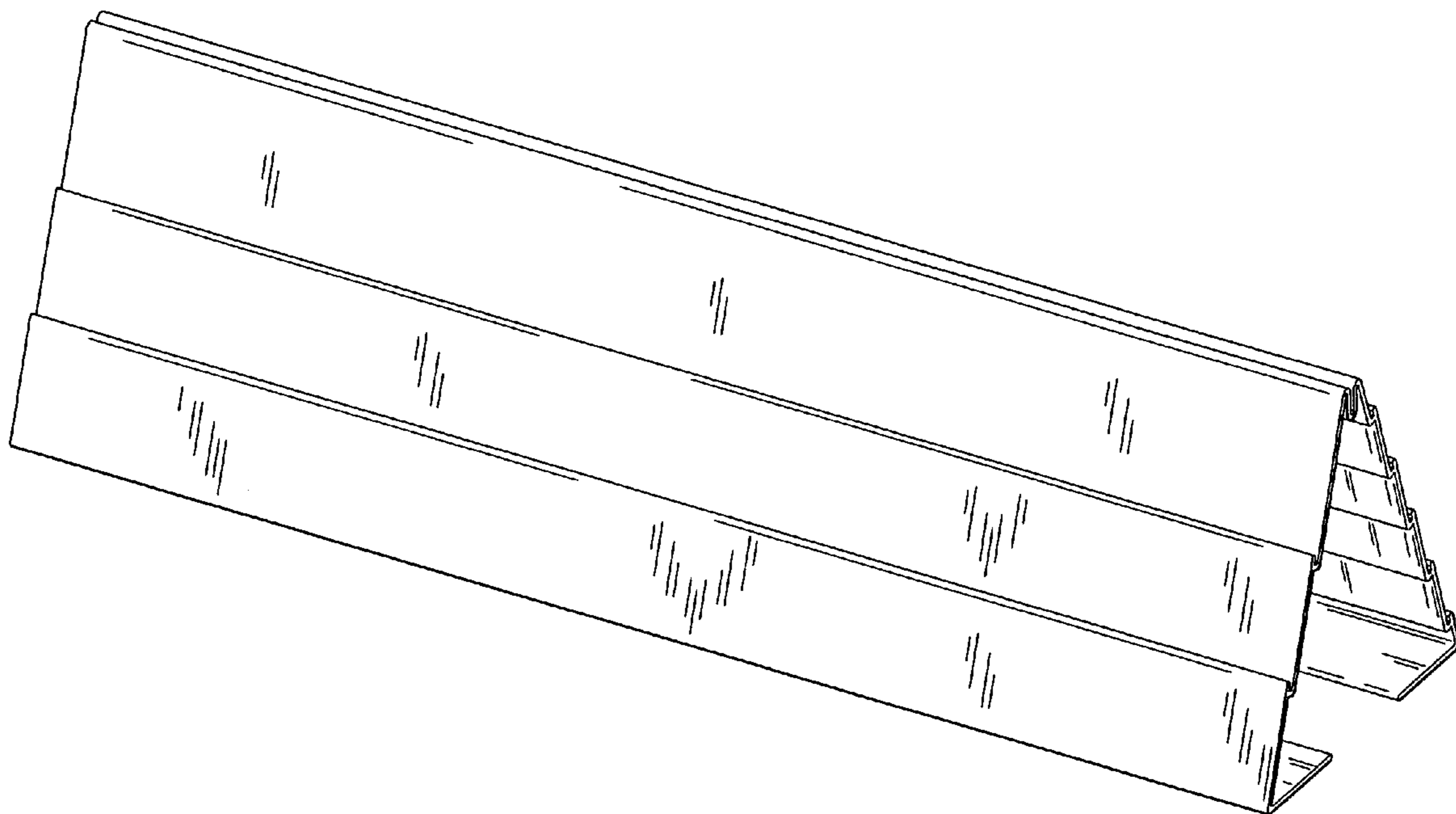
(57) **CLAIM**

The ornamental design for a card holder, as shown and described.

DESCRIPTION

FIG. 1 is a rear perspective view of a card holder;
FIG. 2 is a front perspective view of the card holder of FIG. 1;
FIG. 3 is a rear elevational view thereof;
FIG. 4 is a front elevational view thereof;
FIG. 5 is a top plan view thereof;
FIG. 6 is a bottom plan view thereof;
FIG. 7 is a right side elevational view thereof; and,
FIG. 8 is a left side elevational view thereof.

1 Claim, 5 Drawing Sheets



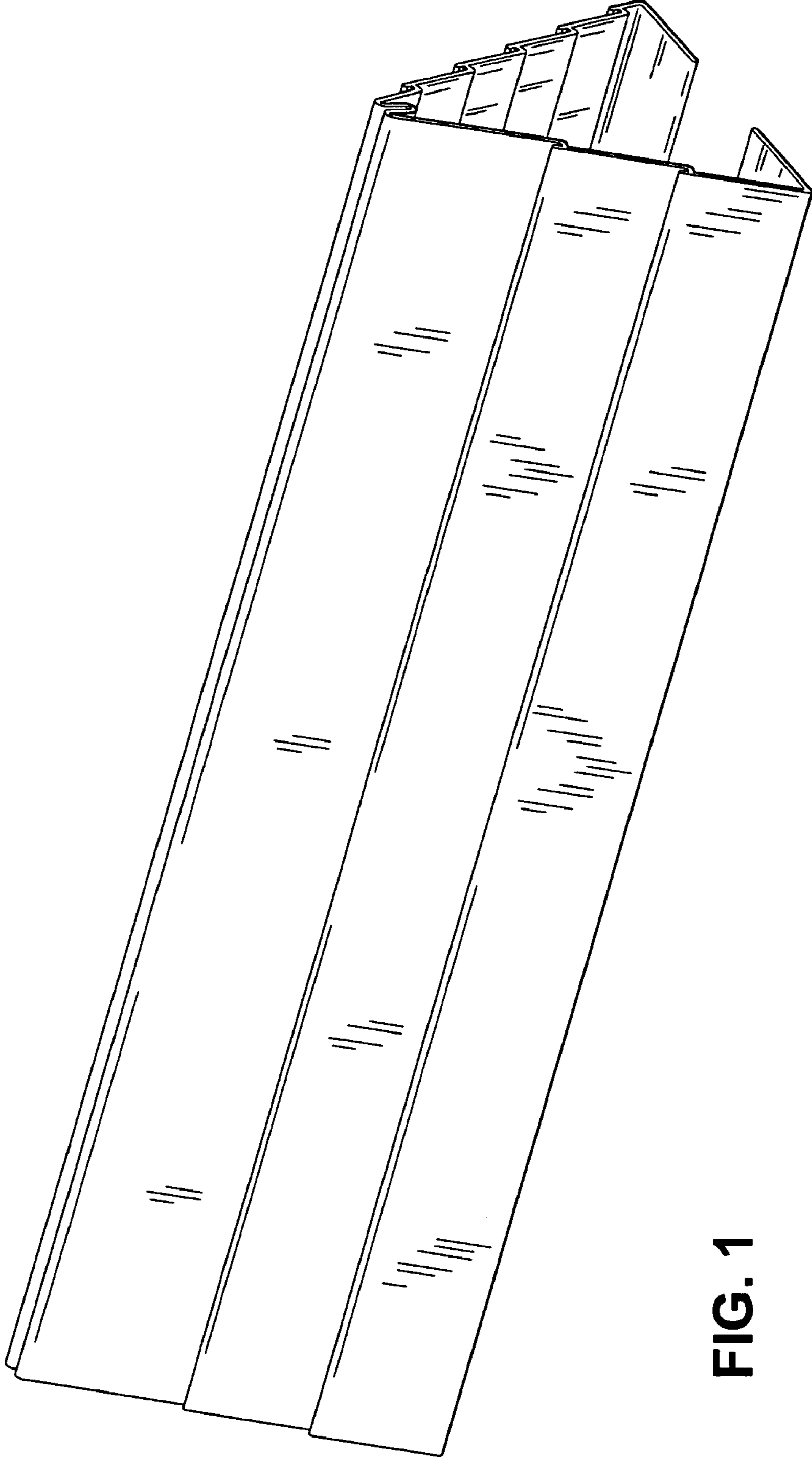


FIG. 1

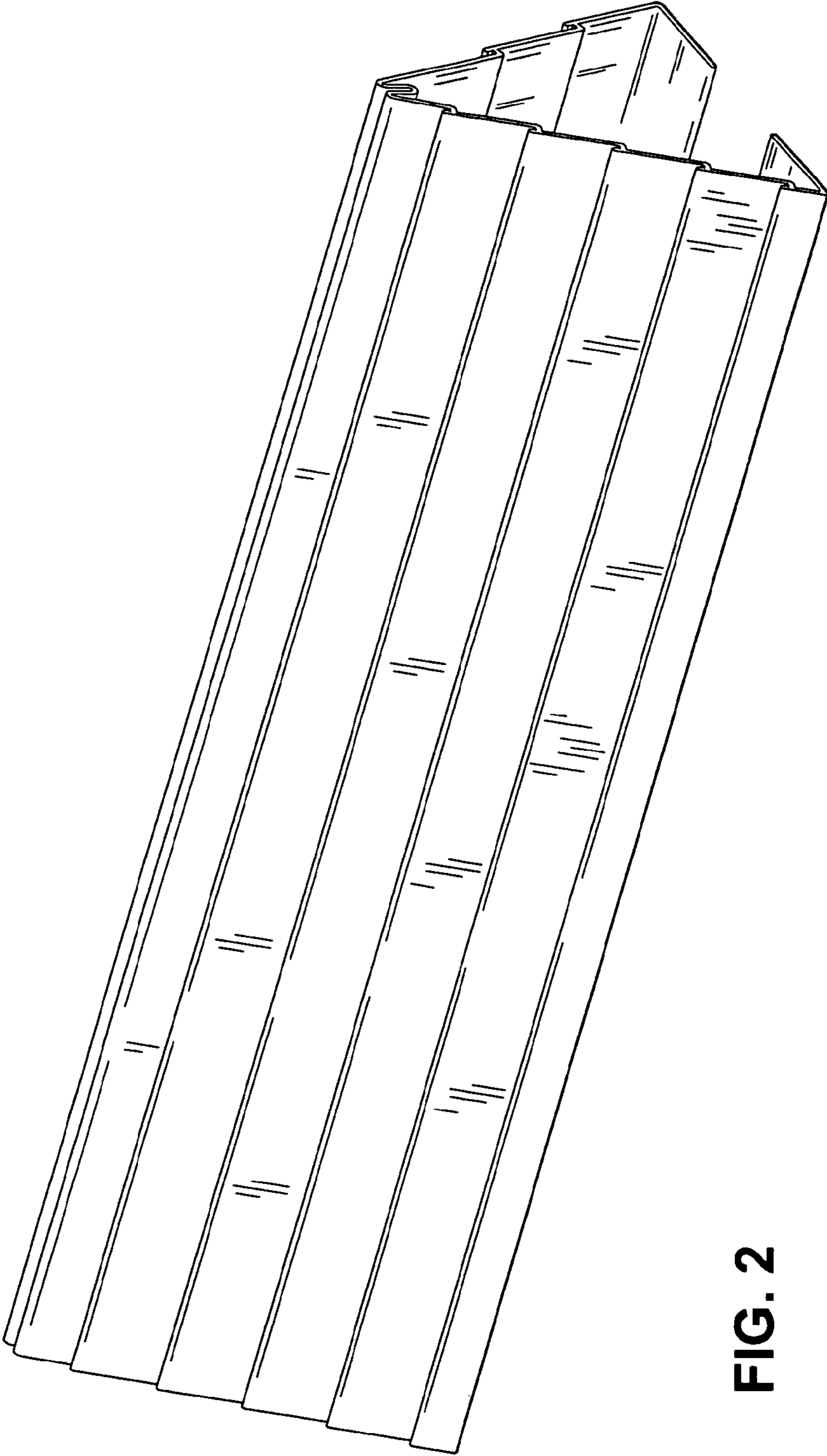


FIG. 2

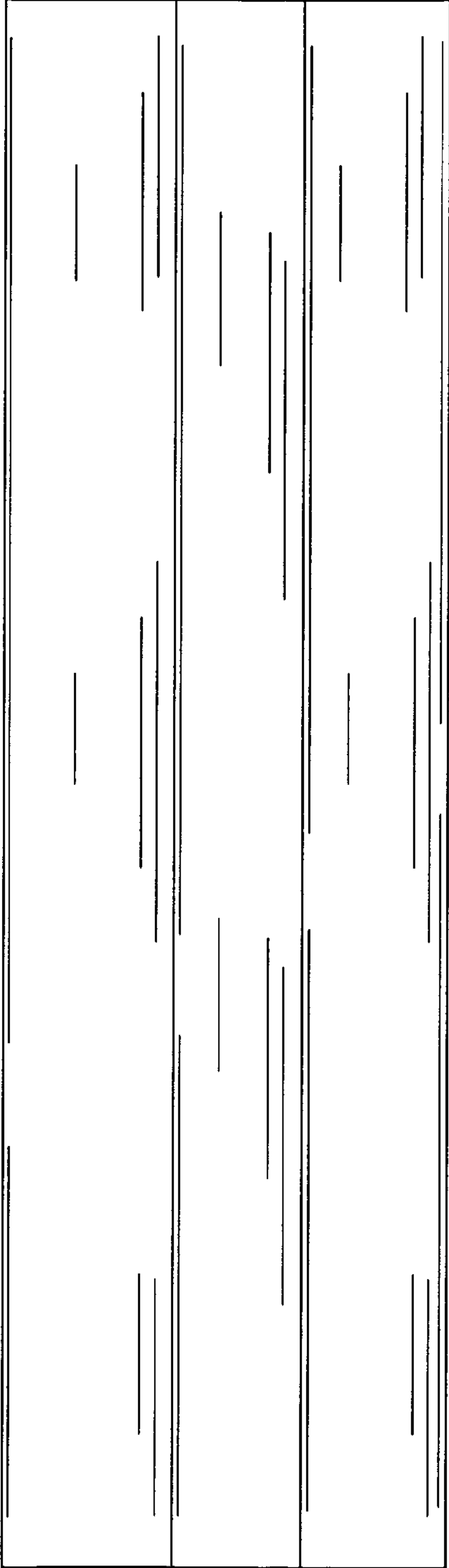


FIG. 3

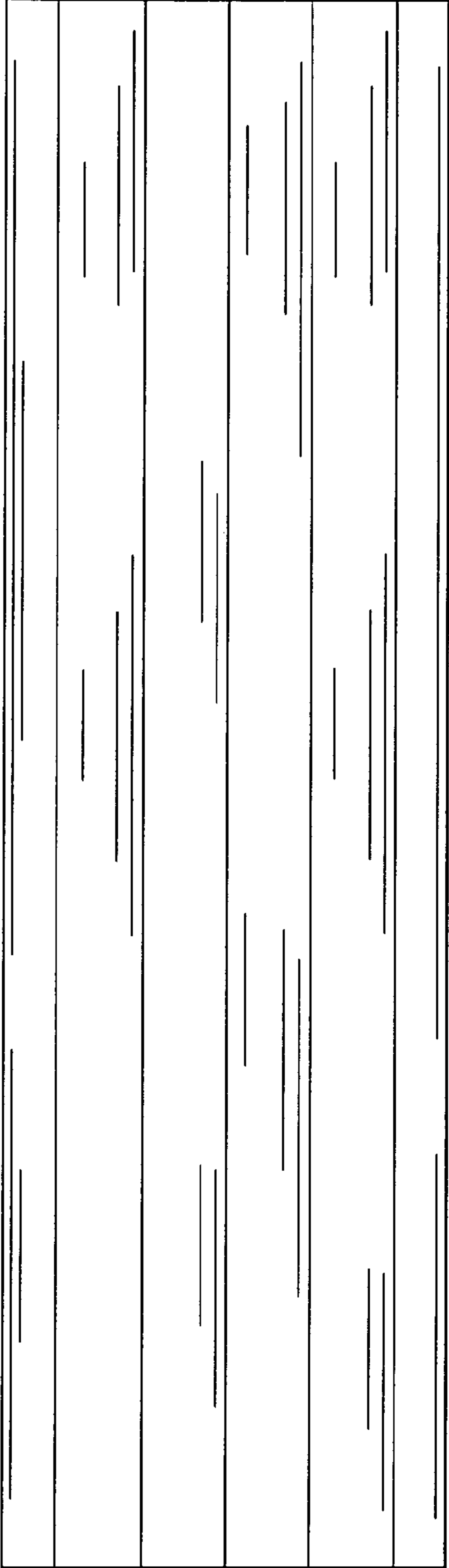


FIG. 4

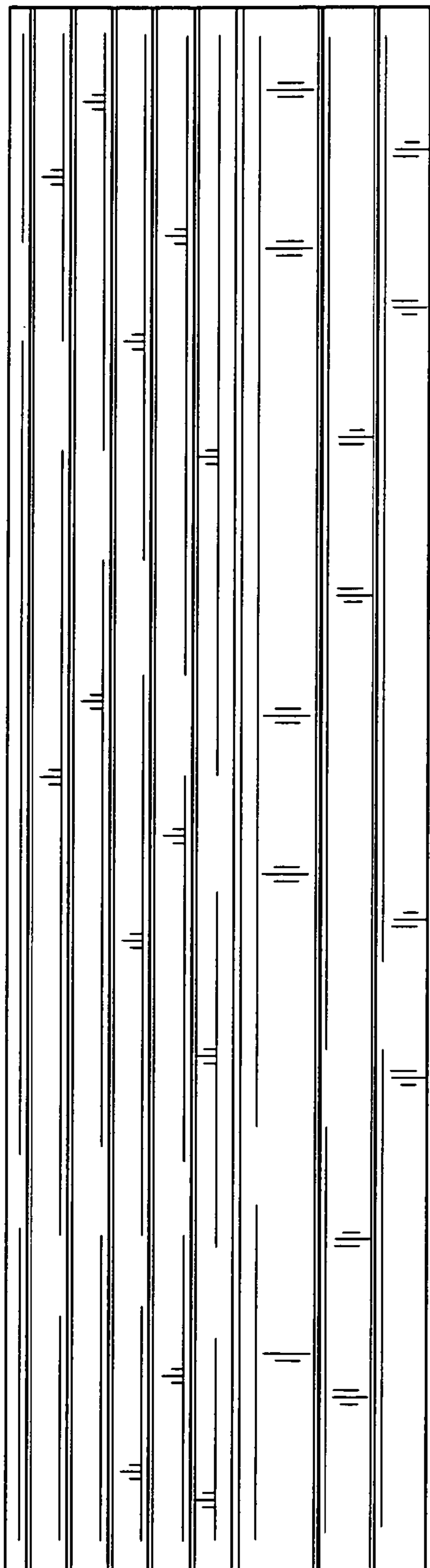


FIG. 5

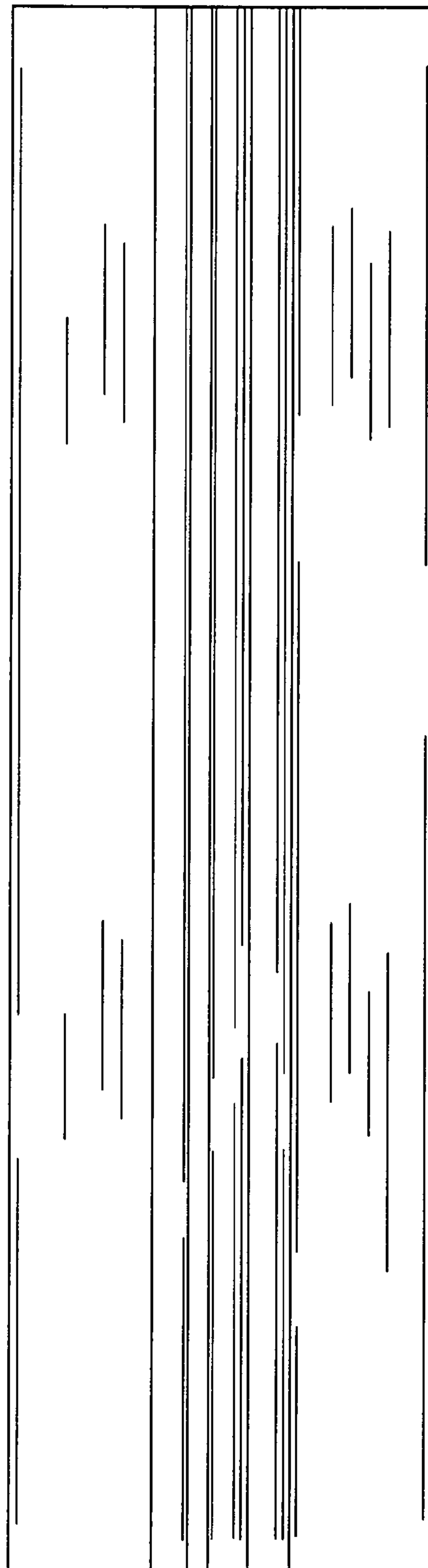


FIG. 6

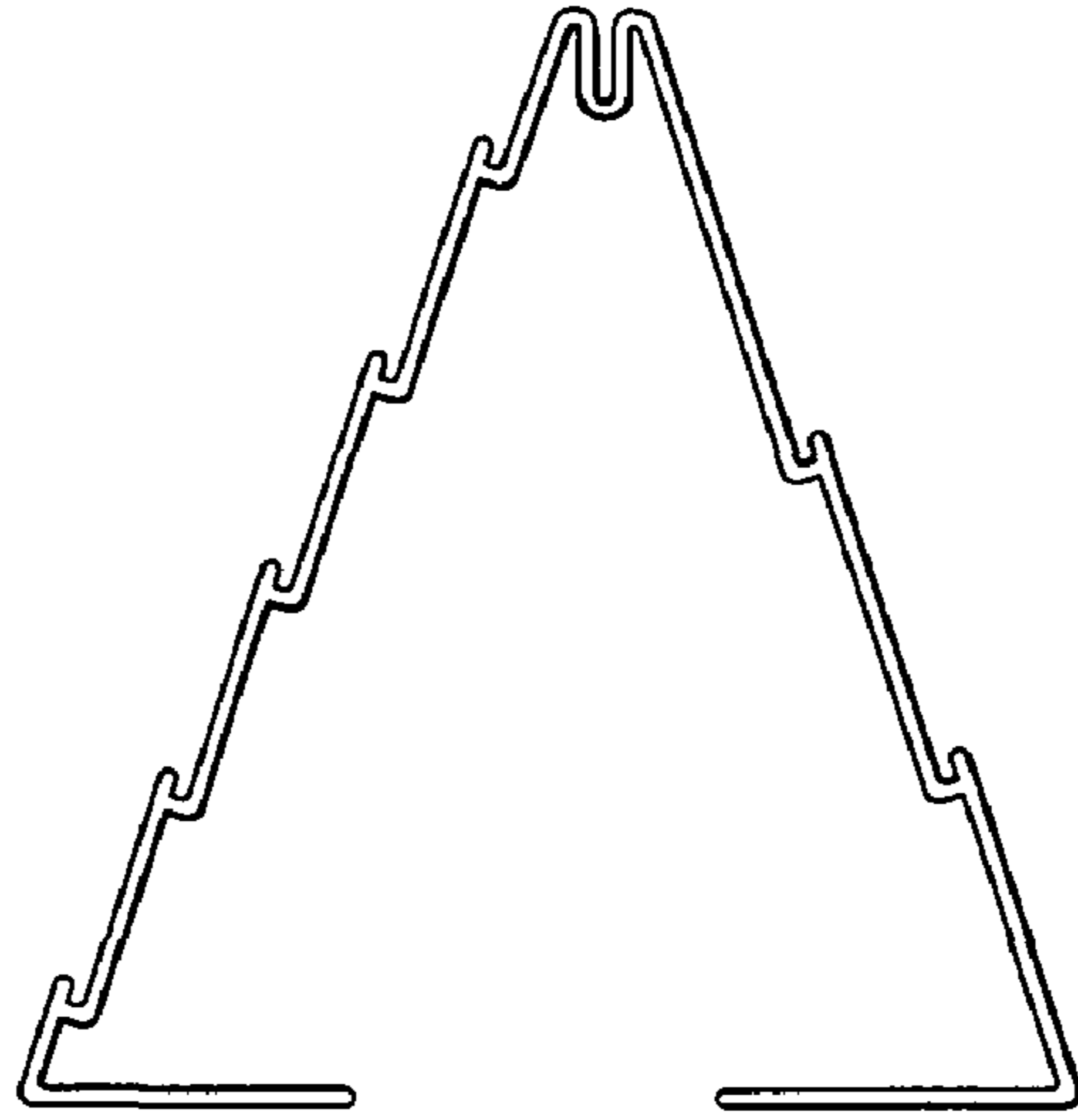


FIG. 7

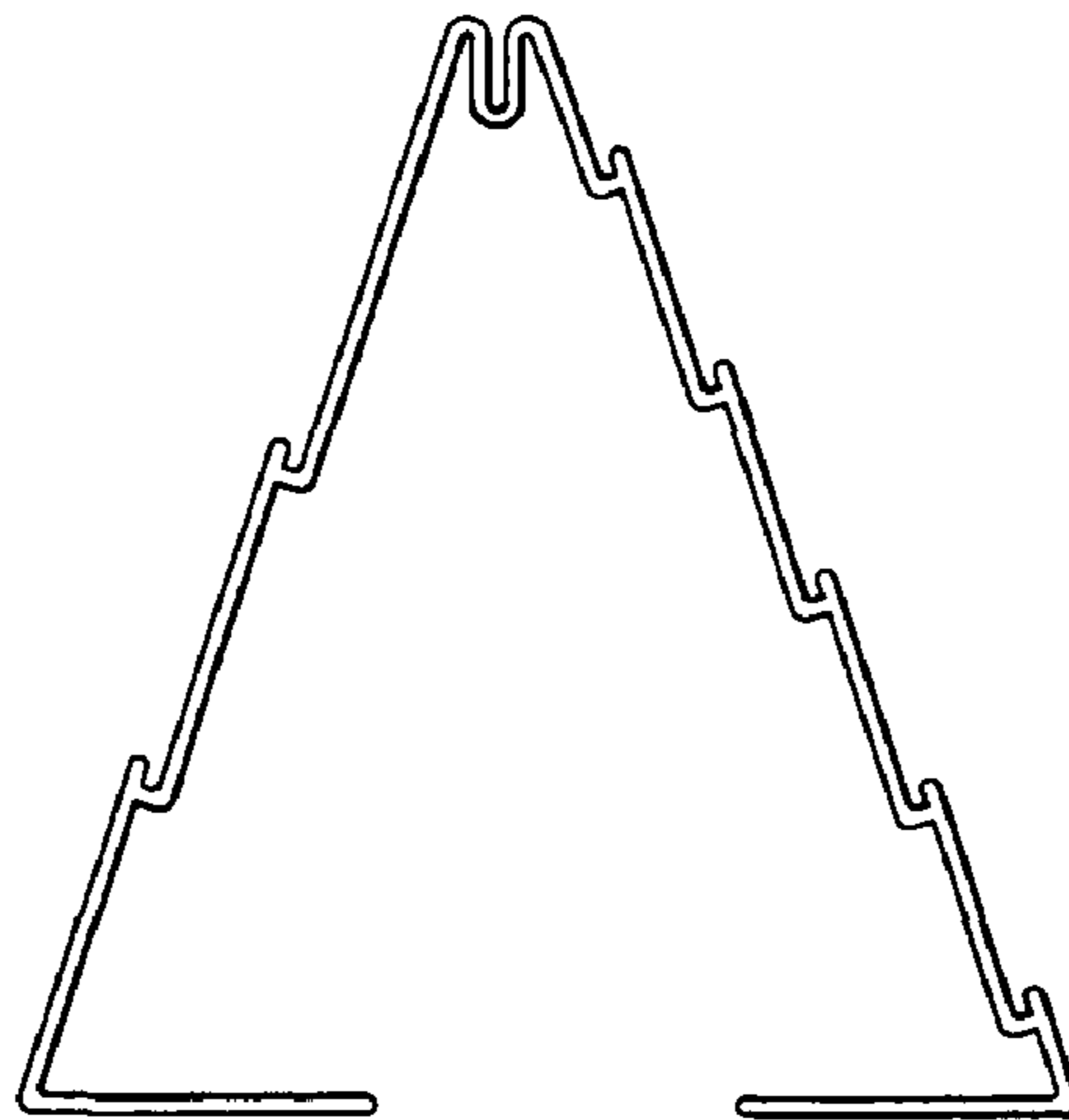


FIG. 8