



US00D635187S

(12) **United States Design Patent**
Pompei et al.

(10) **Patent No.:** **US D635,187 S**
(45) **Date of Patent:** **** Mar. 29, 2011**

- (54) **TRANSACTION CARD**
- (75) Inventors: **Alicia Pompei**, Minneapolis, MN (US);
Courtney Gooch, Minneapolis, MN (US)
- (73) Assignee: **Target Brands, Inc.**, Minneapolis, MN (US)
- (**) Term: **14 Years**
- (21) Appl. No.: **29/378,125**
- (22) Filed: **Oct. 29, 2010**
- (51) **LOC (9) Cl.** **19-08**
- (52) **U.S. Cl.** **D19/9**
- (58) **Field of Classification Search** D19/1-12,
D19/100; 40/124.01-124.15, 672, 661, 776,
40/726, 617; 283/72, 74, 103, 105, 106;
D6/407, 632; 235/380, 449, 487, 492, 493,
235/488; 206/449, 815, 315; D20/10, 22,
D20/17, 27, 40, 11, 39, 43
See application file for complete search history.

D575,332 S	8/2008	Parker et al.	
D599,849 S	9/2009	Halbur et al.	
7,591,418 B2	9/2009	Halbur et al.	
D615,585 S	5/2010	Skinner et al.	
D616,020 S *	5/2010	Hoppus et al.	D19/9
D616,021 S	5/2010	Halbur	
D622,764 S *	8/2010	Halbur et al.	D19/9
D624,586 S	9/2010	Halbur et al.	
D628,627 S *	12/2010	Halbur et al.	D19/9
2008/0245875 A1	10/2008	Holt et al.	
2009/0055253 A1	2/2009	Halbur et al.	
2009/0166436 A1	7/2009	Haugen et al.	
2009/0308920 A1	12/2009	Holt et al.	

* cited by examiner

Primary Examiner — Caron Veynar
Assistant Examiner — Abraham Bahta
(74) *Attorney, Agent, or Firm* — Griffiths & Seaton PLLC

(57) **CLAIM**
The ornamental design for a transaction card, as shown and described.

DESCRIPTION

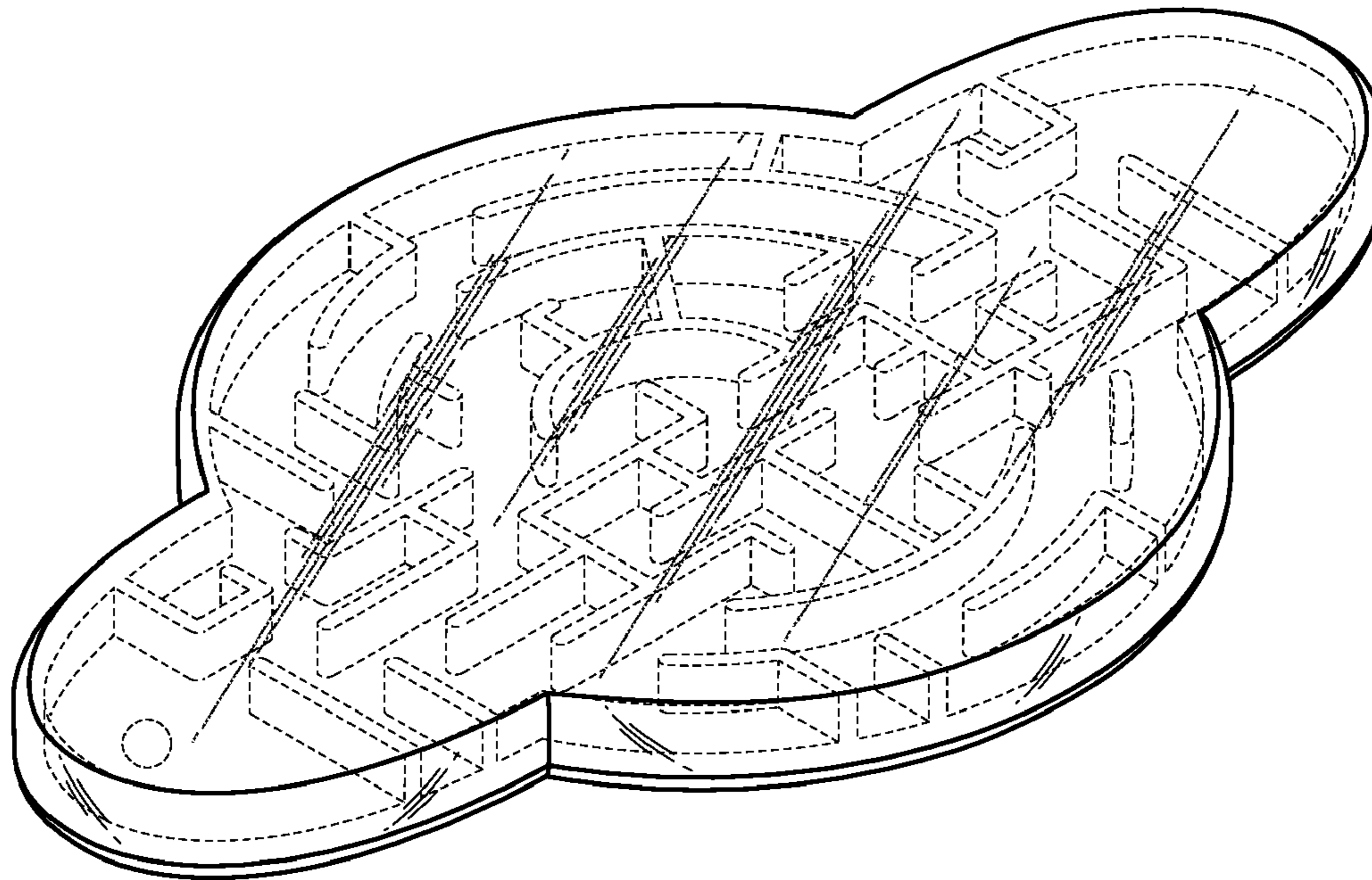
FIG. 1 is a top, front perspective view of a transaction card showing our new design;
FIG. 2 is a bottom, rear perspective view thereof;
FIG. 3 is a front view thereof;
FIG. 4 is a rear view thereof;
FIG. 5 is a left side view thereof;
FIG. 6 is a right side view thereof;
FIG. 7 is a top view thereof; and,
FIG. 8 is a bottom view thereof.
The features shown in broken lines depict environmental or other associated subject matter and form no part of the claimed design.

1 Claim, 3 Drawing Sheets

(56) **References Cited**

U.S. PATENT DOCUMENTS

D474,234 S *	5/2003	Nelms et al.	D19/9
D505,450 S *	5/2005	Lauer et al.	D19/9
D523,076 S	6/2006	Lauer et al.	
D545,361 S *	6/2007	Boland et al.	D19/9
7,264,155 B2	9/2007	Halbur et al.	
D553,675 S *	10/2007	Hogg	D19/9
D559,903 S *	1/2008	Schwab	D19/9
D559,905 S	1/2008	Halbur et al.	
7,314,179 B1	1/2008	Halbur et al.	
7,316,357 B2	1/2008	Lindahl et al.	
7,360,710 B2	4/2008	Lindahl et al.	
D570,910 S	6/2008	Parker et al.	



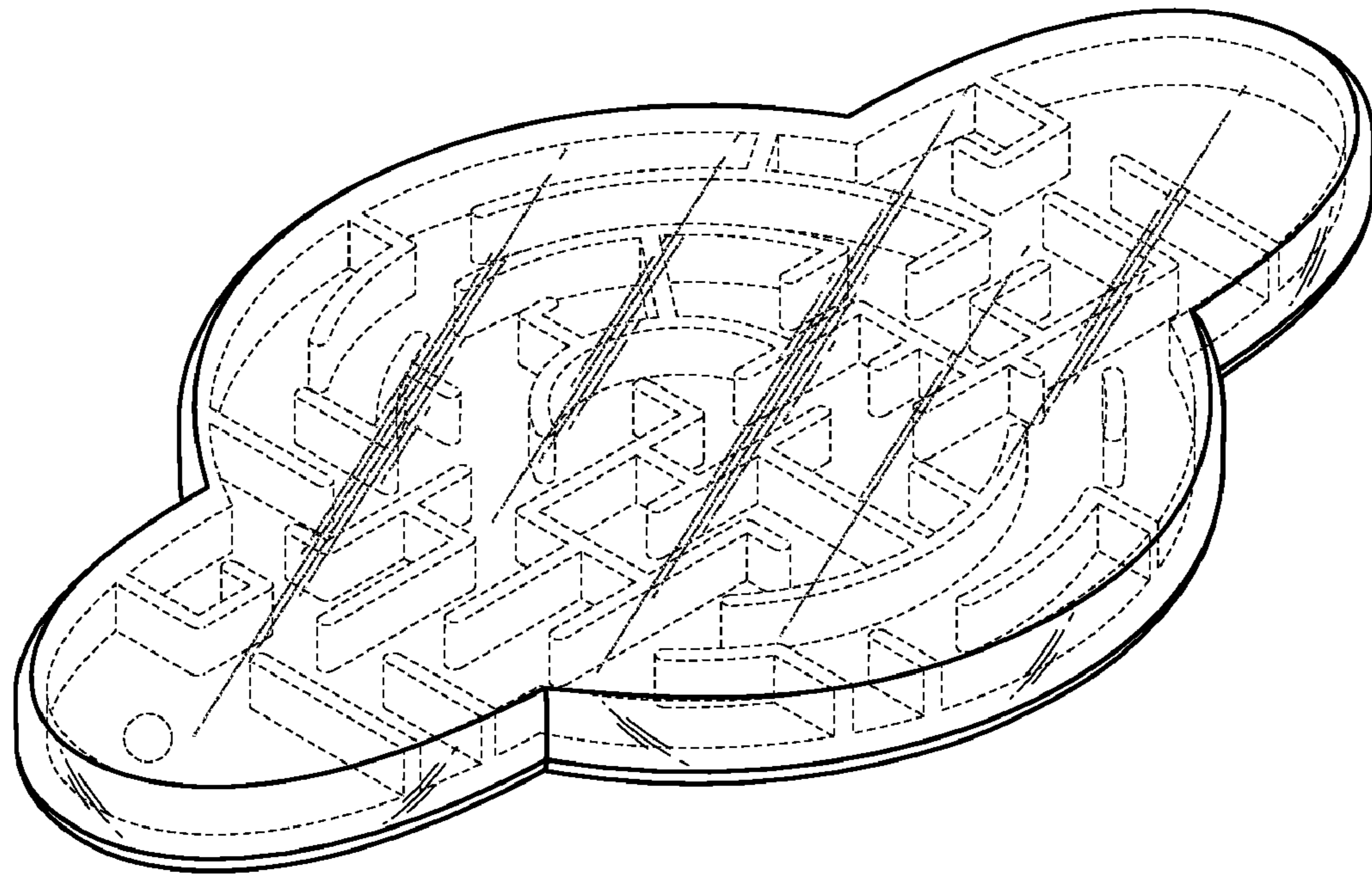


Fig. 1

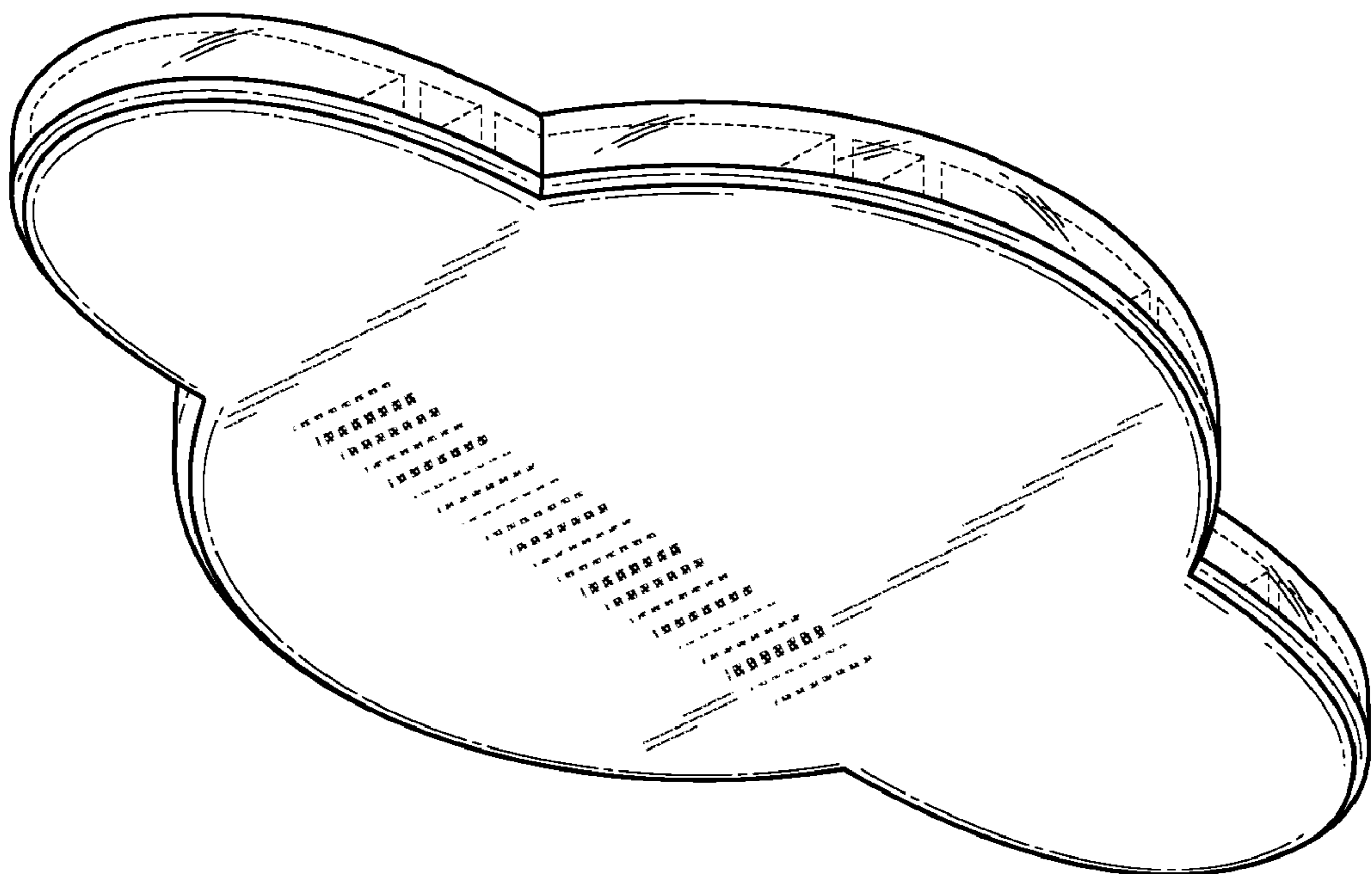


Fig. 2

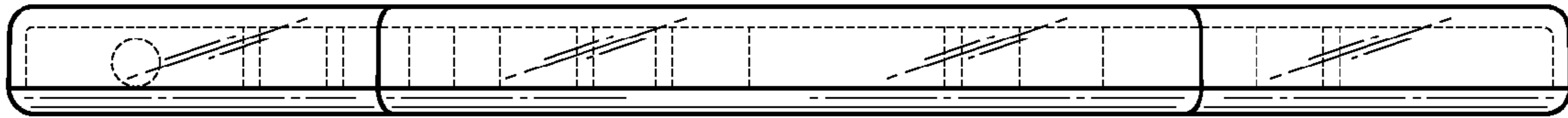


Fig. 3

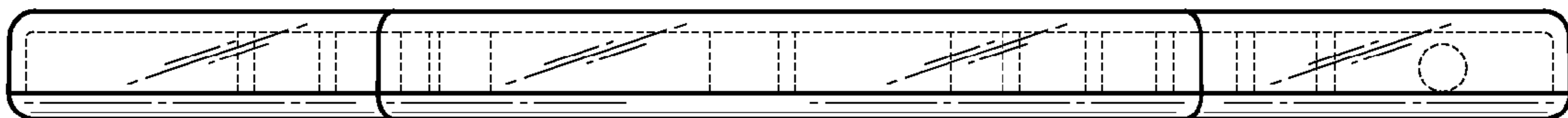


Fig. 4

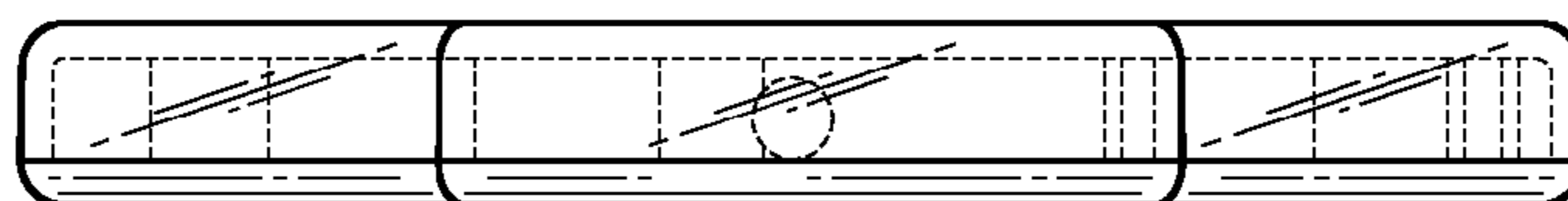


Fig. 5

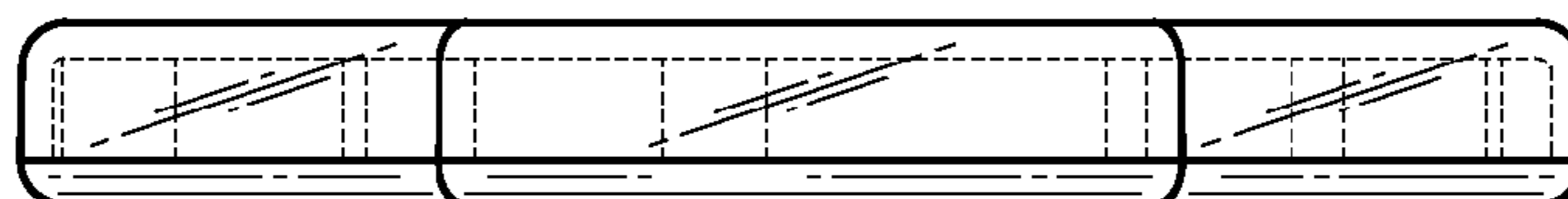


Fig. 6

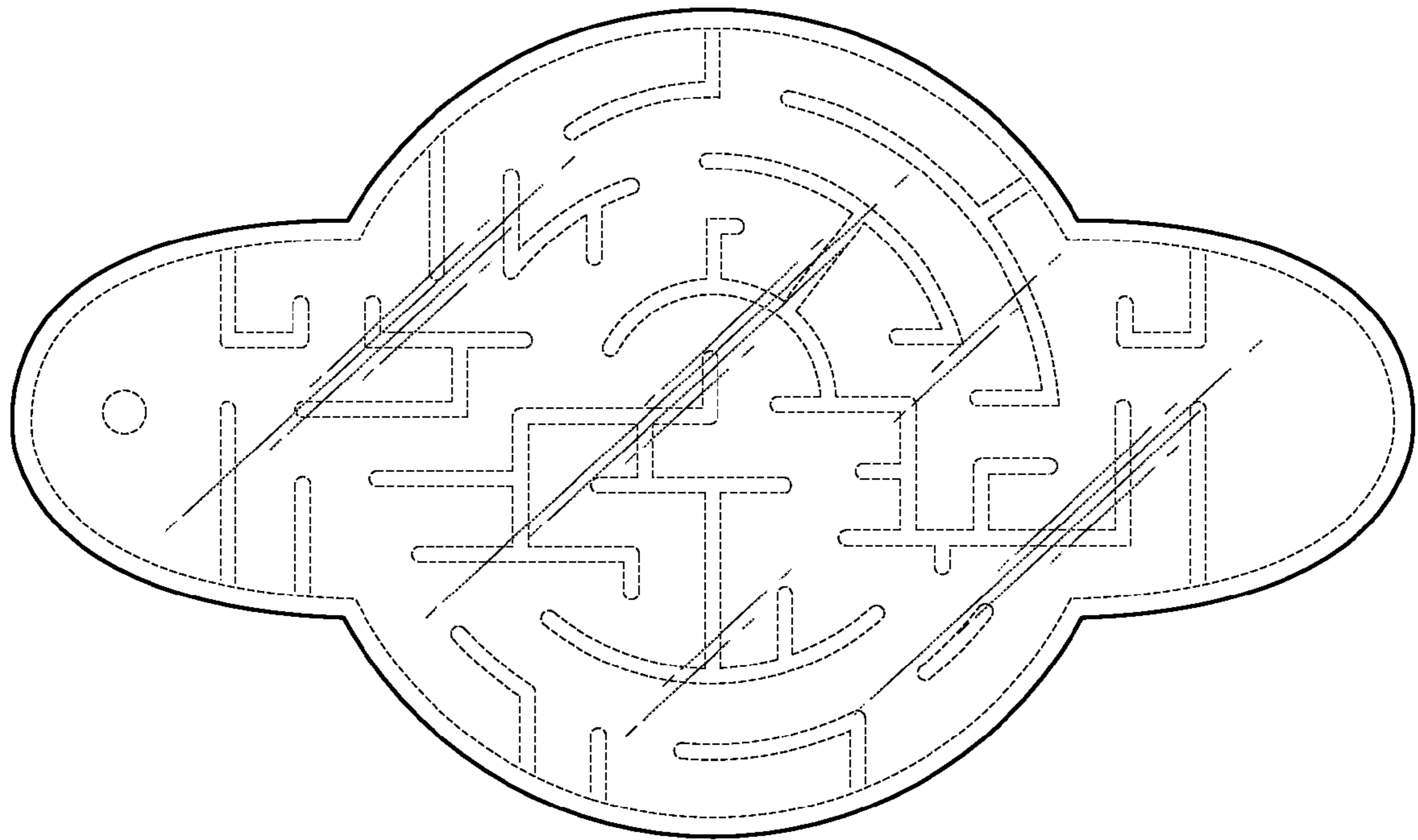


Fig. 7

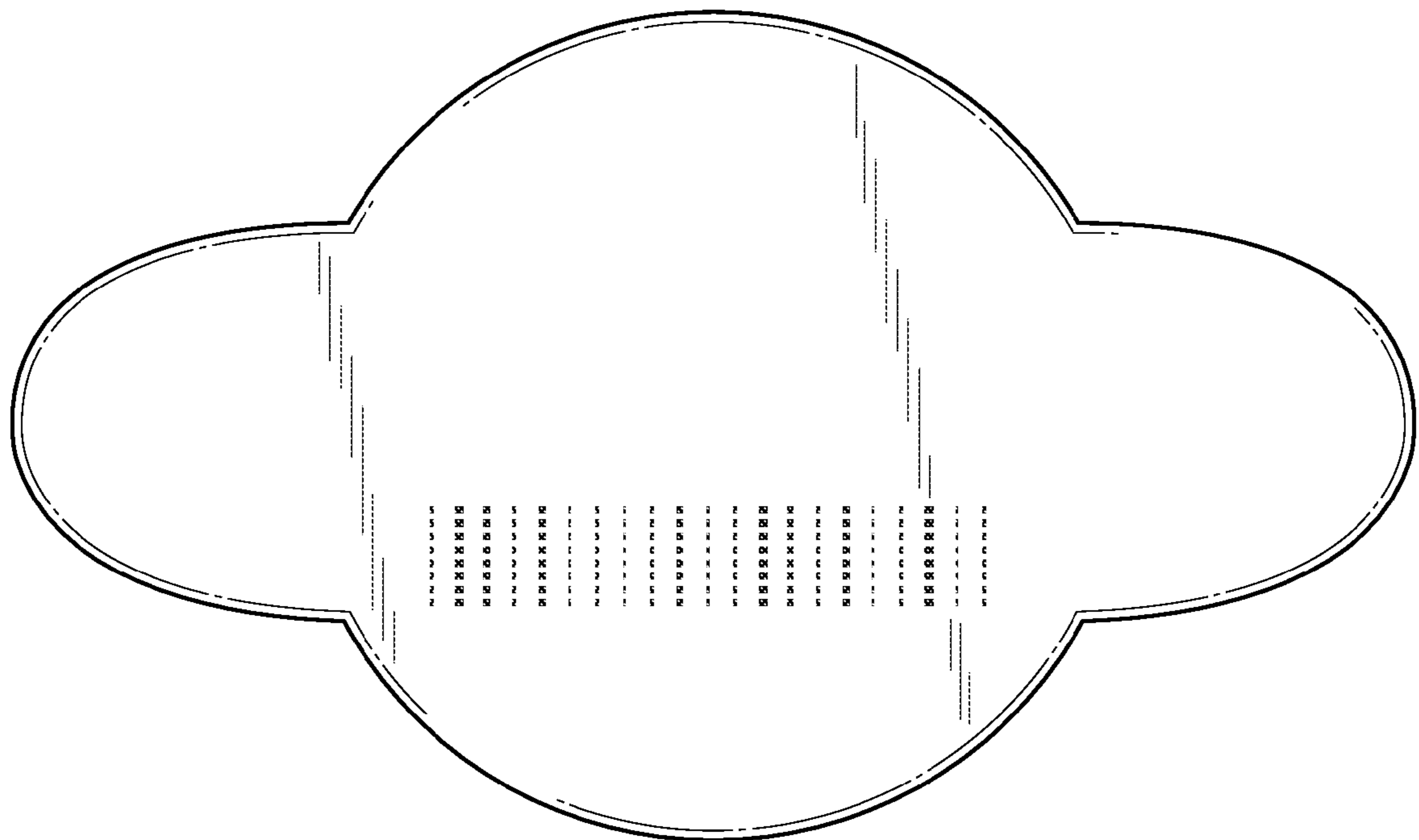


Fig. 8