



US00D635182S

(12) **United States Design Patent**  
**Toone**

(10) **Patent No.:** **US D635,182 S**  
(45) **Date of Patent:** **\*\* Mar. 29, 2011**

(54) **GUITAR NECK**

(76) **Inventor:** **Richard Warren Toone**, Milford, NJ  
(US)

(\*\*) **Term:** **14 Years**

(21) **Appl. No.:** **29/370,546**

(22) **Filed:** **Aug. 3, 2010**

(51) **LOC (9) Cl.** ..... **17-03**

(52) **U.S. Cl.** ..... **D17/20**

(58) **Field of Classification Search** ..... D17/14,  
D17/18, 20, 99; 84/267, 290-293

See application file for complete search history.

(56) **References Cited**

**U.S. PATENT DOCUMENTS**

4,145,948	A *	3/1979	Turner	.....	84/293
4,250,790	A *	2/1981	Shubb et al.	.....	84/318
4,359,924	A *	11/1982	Brunet	.....	84/293
4,483,233	A *	11/1984	Benson	.....	84/263
4,759,250	A *	7/1988	Lieber	.....	84/293
5,140,887	A *	8/1992	Chapman	.....	84/646

5,388,024	A *	2/1995	Galvagni	.....	361/309
6,037,532	A *	3/2000	Beckmeir	.....	84/293
6,039,452	A *	3/2000	Iimura	.....	362/607
7,157,633	B1 *	1/2007	Kopesec	.....	84/293
D588,777	S *	3/2009	Bornholdt	.....	D1/127
7,507,888	B2 *	3/2009	Rivera et al.	.....	84/314 R
D619,882	S *	7/2010	Estok	.....	D8/380

\* cited by examiner

*Primary Examiner* — Ian Simmons

*Assistant Examiner* — Rashida Johnson

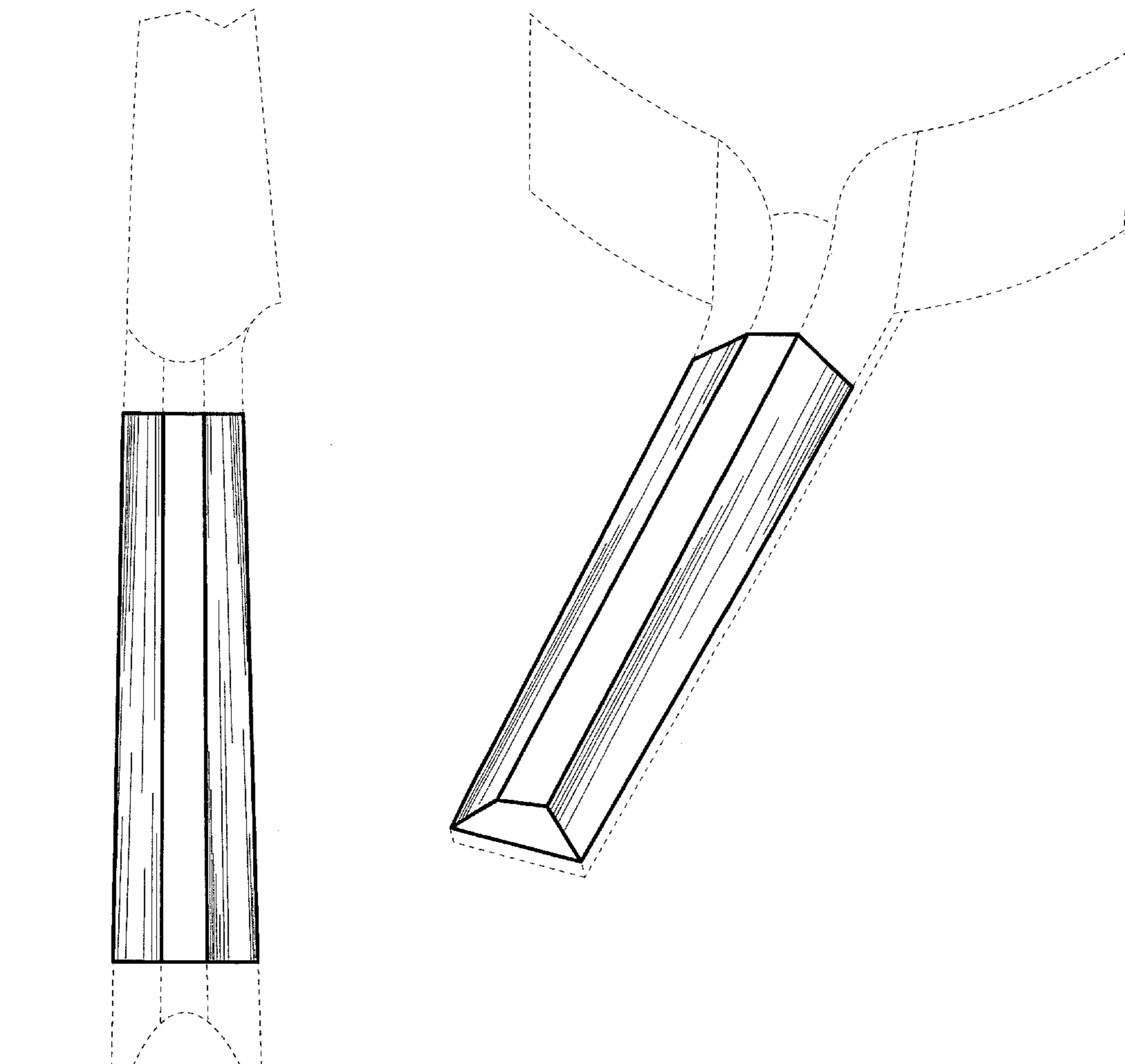
(57) **CLAIM**

I claim, the ornamental design for a guitar neck, as shown and described.

**DESCRIPTION**

FIG. 1 is a side view of a guitar neck showing my new design; FIG. 2 is a bottom plan view thereof; FIG. 3 is a bottom perspective view thereof; and, FIG. 4 is a top end view taken from upper end thereof. The broken lines shown throughout the view represent the portions of the design which form no part of the claim.

**1 Claim, 3 Drawing Sheets**



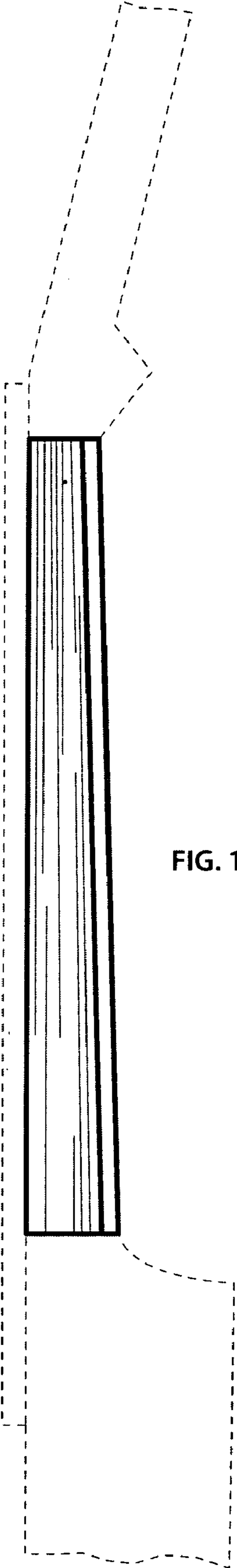


FIG. 1.

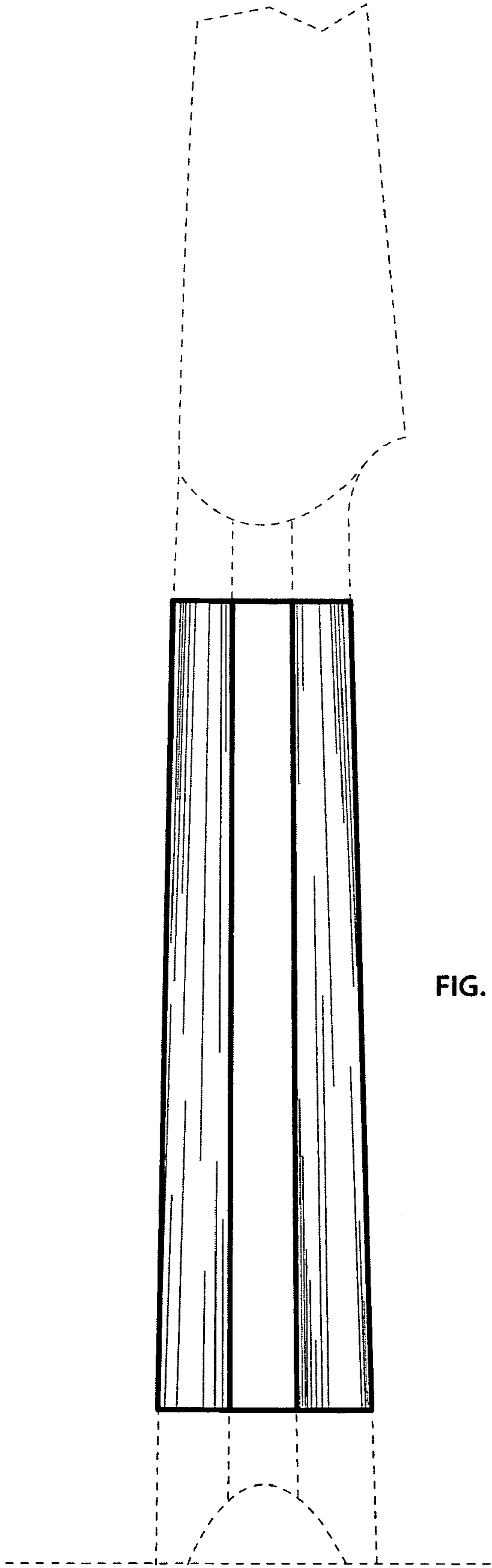


FIG. 2.

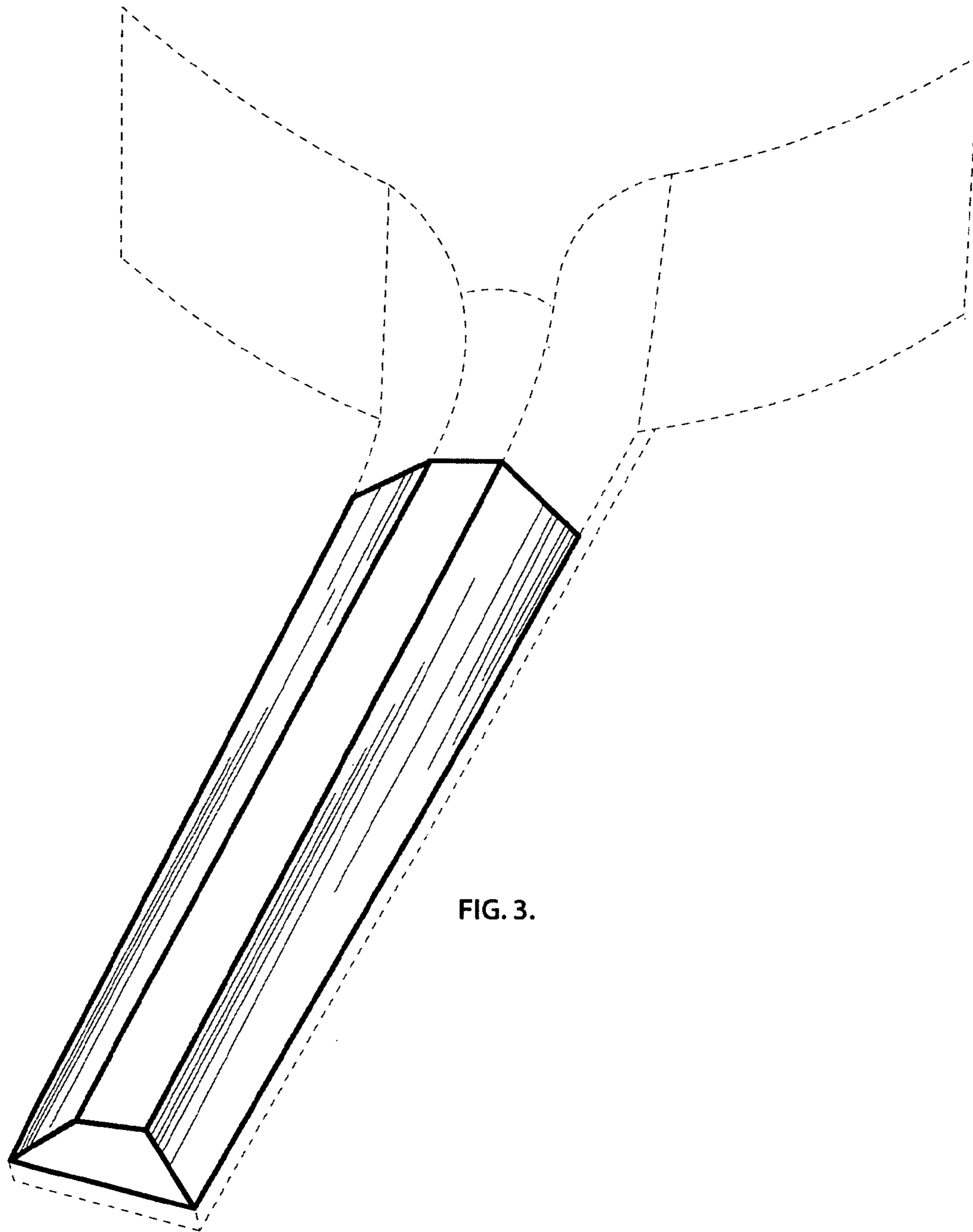


FIG. 3.

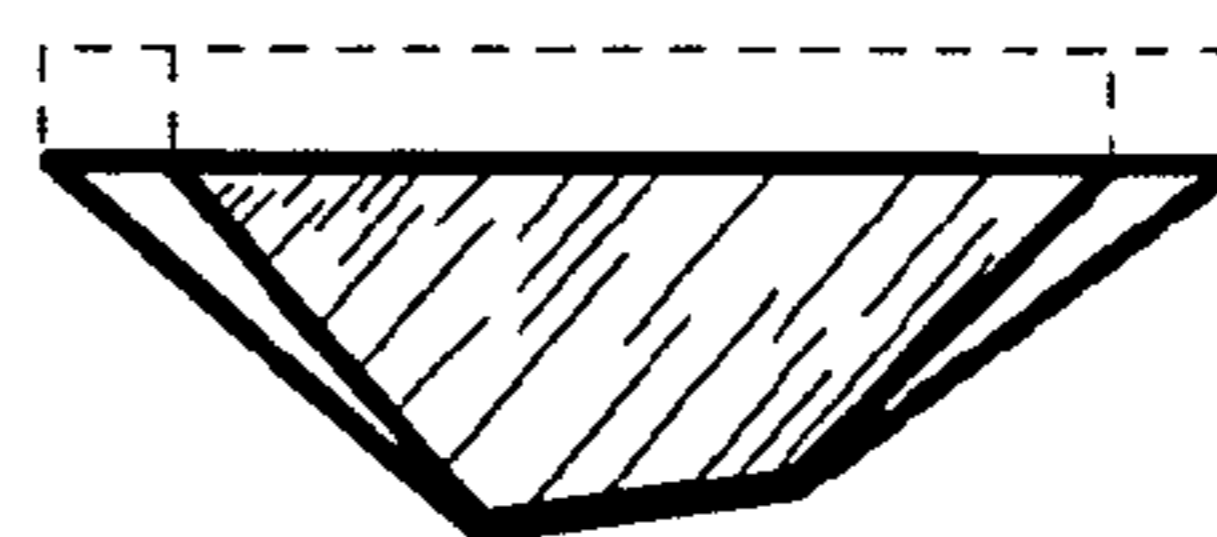


FIG. 4.