



US00D635178S

(12) **United States Design Patent**
Fuchs

(10) **Patent No.:** **US D635,178 S**
(45) **Date of Patent:** **** Mar. 29, 2011**

(54) **EYEGLASSES**
(75) Inventor: **Gerhard Fuchs**, Kauns (AT)
(73) Assignee: **Silhouette International Schmied AG**,
Linz (AT)

D567,839 S 4/2008 Fuchs
D581,445 S * 11/2008 Nakanishi D16/315
D581,448 S 11/2008 Fuchs
D582,958 S 12/2008 Fuchs
D582,963 S 12/2008 Fuchs
D582,964 S 12/2008 Fuchs
D582,965 S 12/2008 Fuchs
D601,181 S 9/2009 Fuchs
D631,084 S * 1/2011 Phillips D16/335

(**) Term: **14 Years**
(21) Appl. No.: **29/377,995**
(22) Filed: **Oct. 28, 2010**

OTHER PUBLICATIONS

U.S. Appl. No. 29/338,674, filed Jun. 16, 2009.
U.S. Appl. No. 29/361,320, filed May 10, 2010.

(30) **Foreign Application Priority Data**
Jun. 29, 2010 (EM) 001725706

* cited by examiner

Primary Examiner — Raphael Barkai
(74) *Attorney, Agent, or Firm* — Alston & Bird LLP

(51) **LOC (9) Cl.** **16-06**
(52) **U.S. Cl.** **D16/315; D16/335; D16/334**
(58) **Field of Classification Search** D16/101,
D16/300-342; D29/109-110; D24/110.2;
351/41, 44, 51-52, 62, 158, 92, 103-123,
351/140, 153, 45-46; 2/426-432, 447-449,
2/441, 434-437, 13, 15; D21/483, 659-661,
D21/598

(57) **CLAIM**
The ornamental design for eyeglasses, as shown and described.

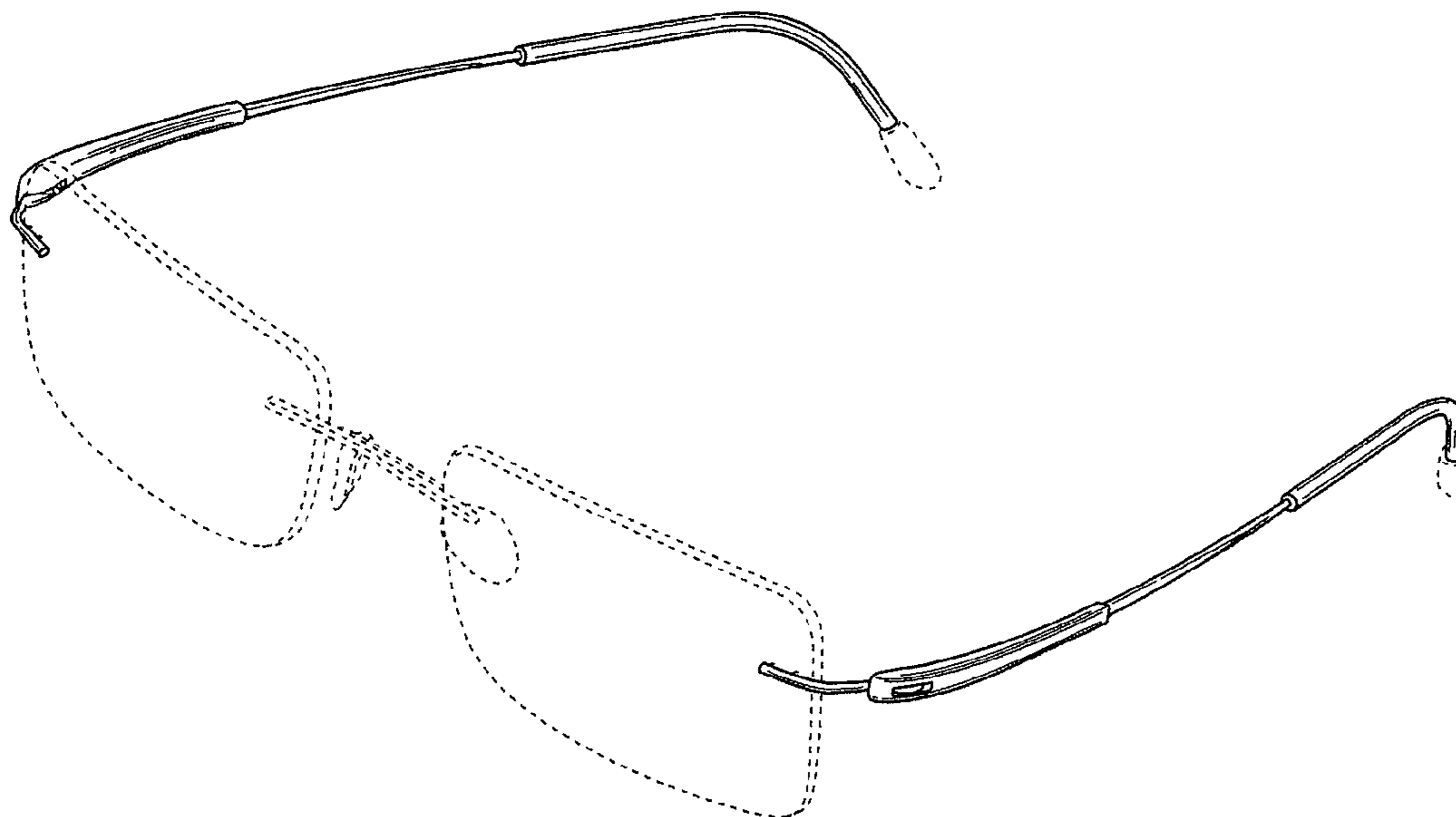
See application file for complete search history.

DESCRIPTION

(56) **References Cited**
U.S. PATENT DOCUMENTS
6,099,117 A * 8/2000 Gregory 351/49
D443,633 S * 6/2001 Lazarides D16/327
D482,384 S * 11/2003 Frederik Anton
Thiele et al. D16/328
6,655,800 B2 * 12/2003 Takeda et al. 351/110
D540,369 S * 4/2007 Mouclier D16/315
D552,156 S 10/2007 Fuchs
D556,819 S * 12/2007 Fuchs D16/328
D567,838 S 4/2008 Fuchs

FIG. 1 is a perspective view of eyeglasses showing my new design;
FIG. 2 is a front elevation view thereof;
FIG. 3 is a rear elevation view thereof;
FIG. 4 is a top plan view thereof;
FIG. 5 is a bottom plan view thereof;
FIG. 6 is a left side elevation view thereof, the right side elevation view being a mirror image; and,
FIG. 7 is side elevation cross-section view thereof taken along line 7-7 in FIG. 4.
The broken lines are directed to environment and are for illustrative purposes only. The broken lines form no part of the claimed design.

1 Claim, 6 Drawing Sheets



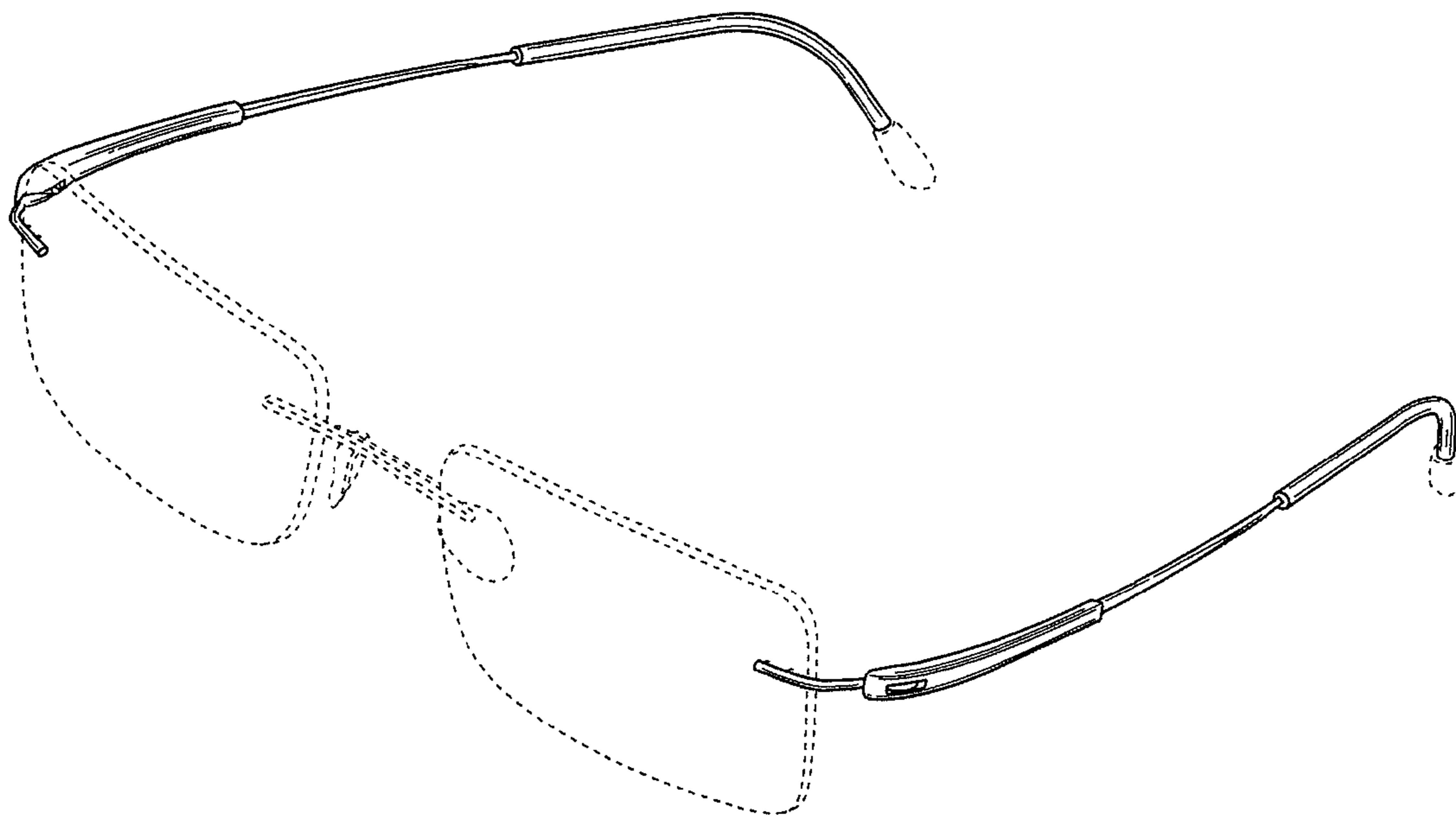


FIG. 1

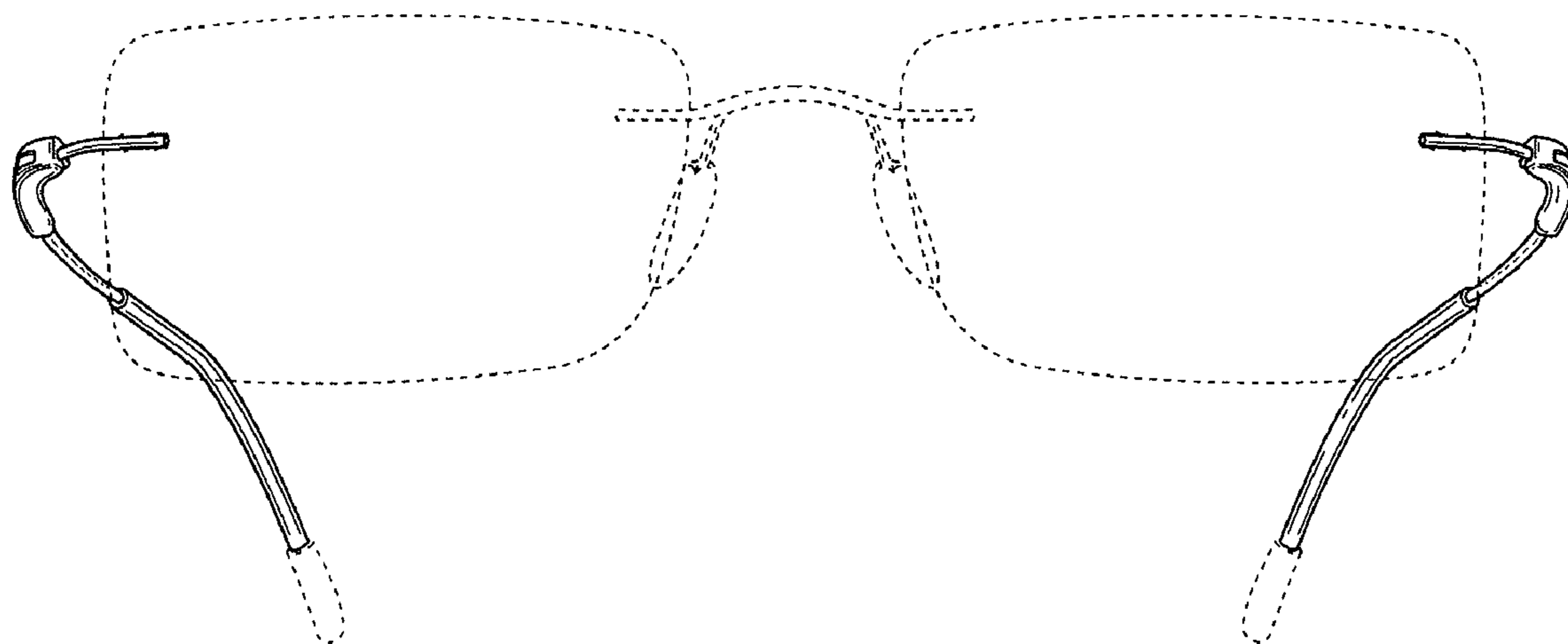


FIG. 2

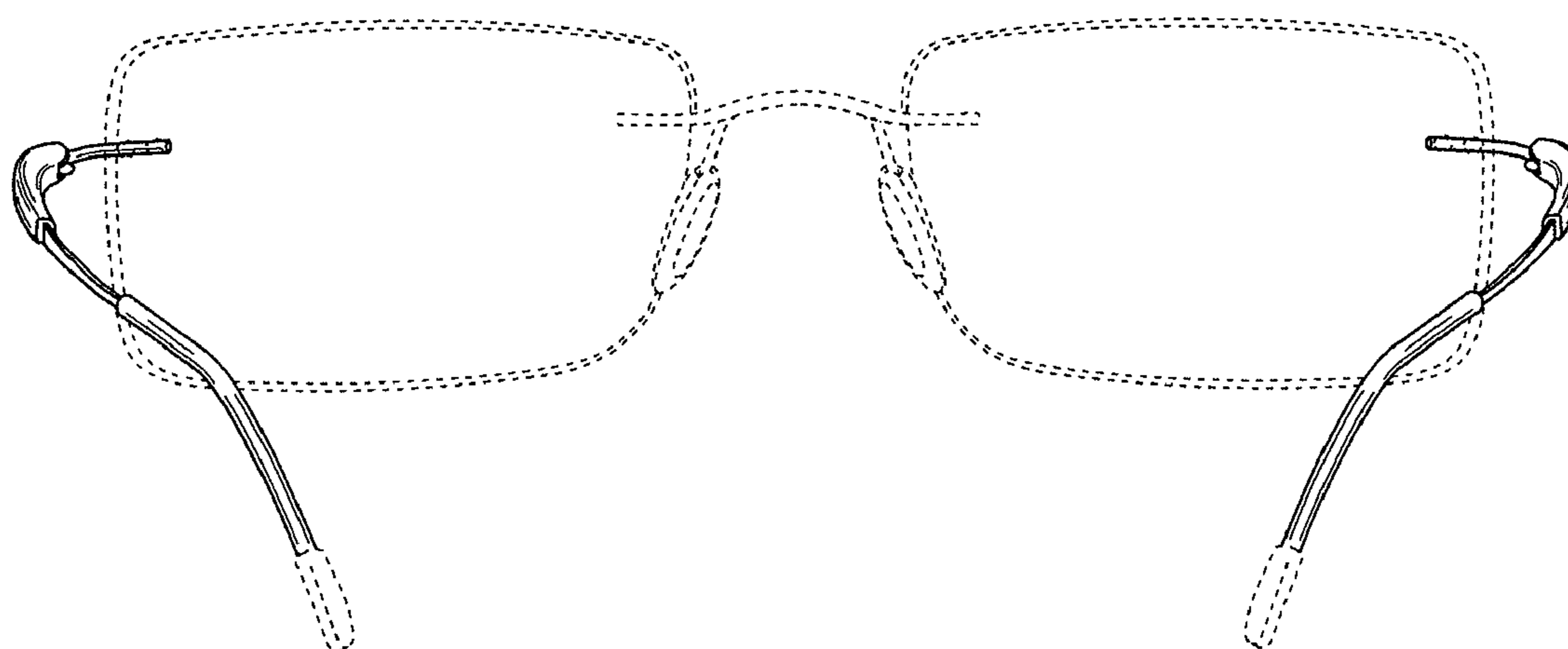


FIG. 3

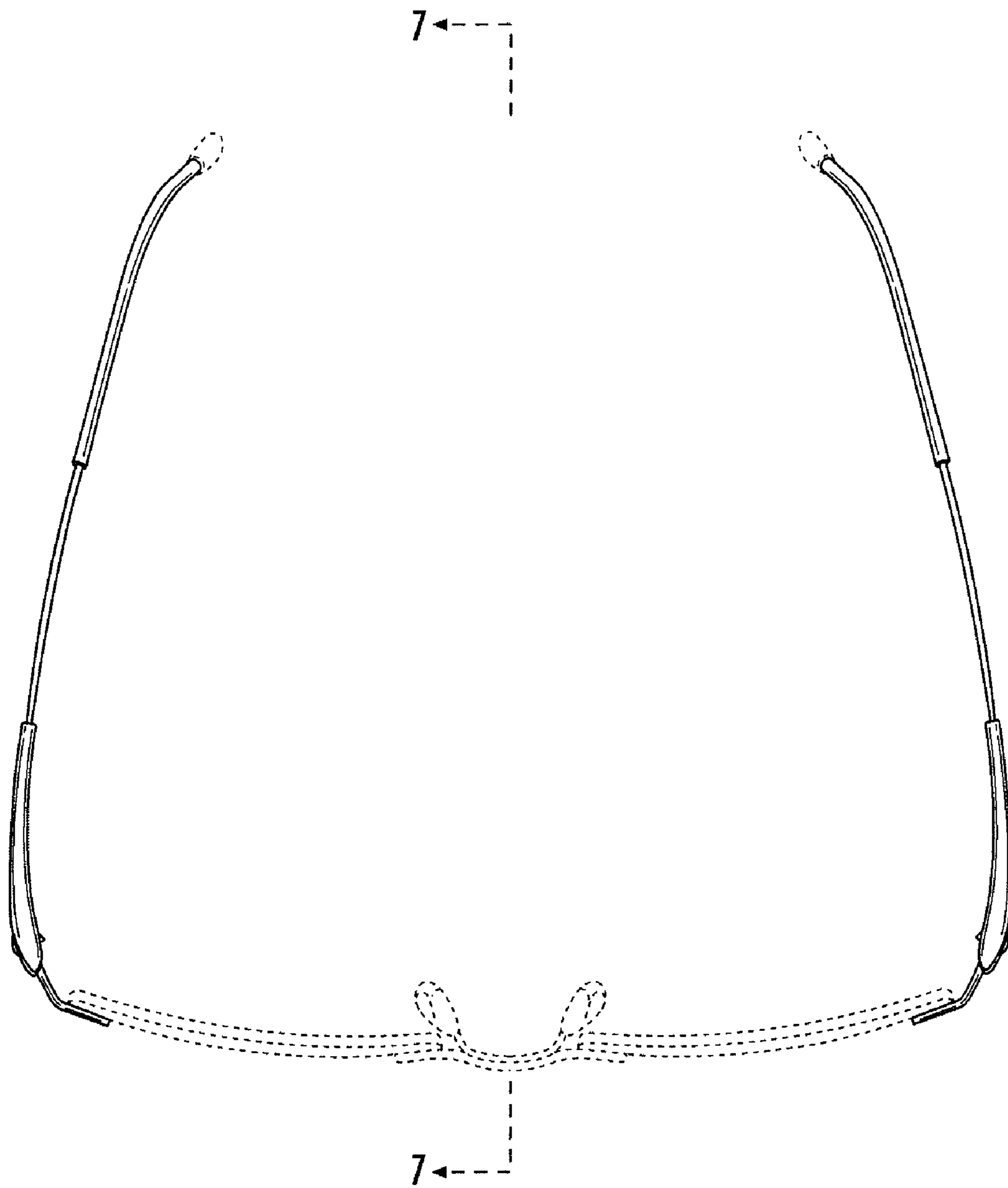


FIG. 4

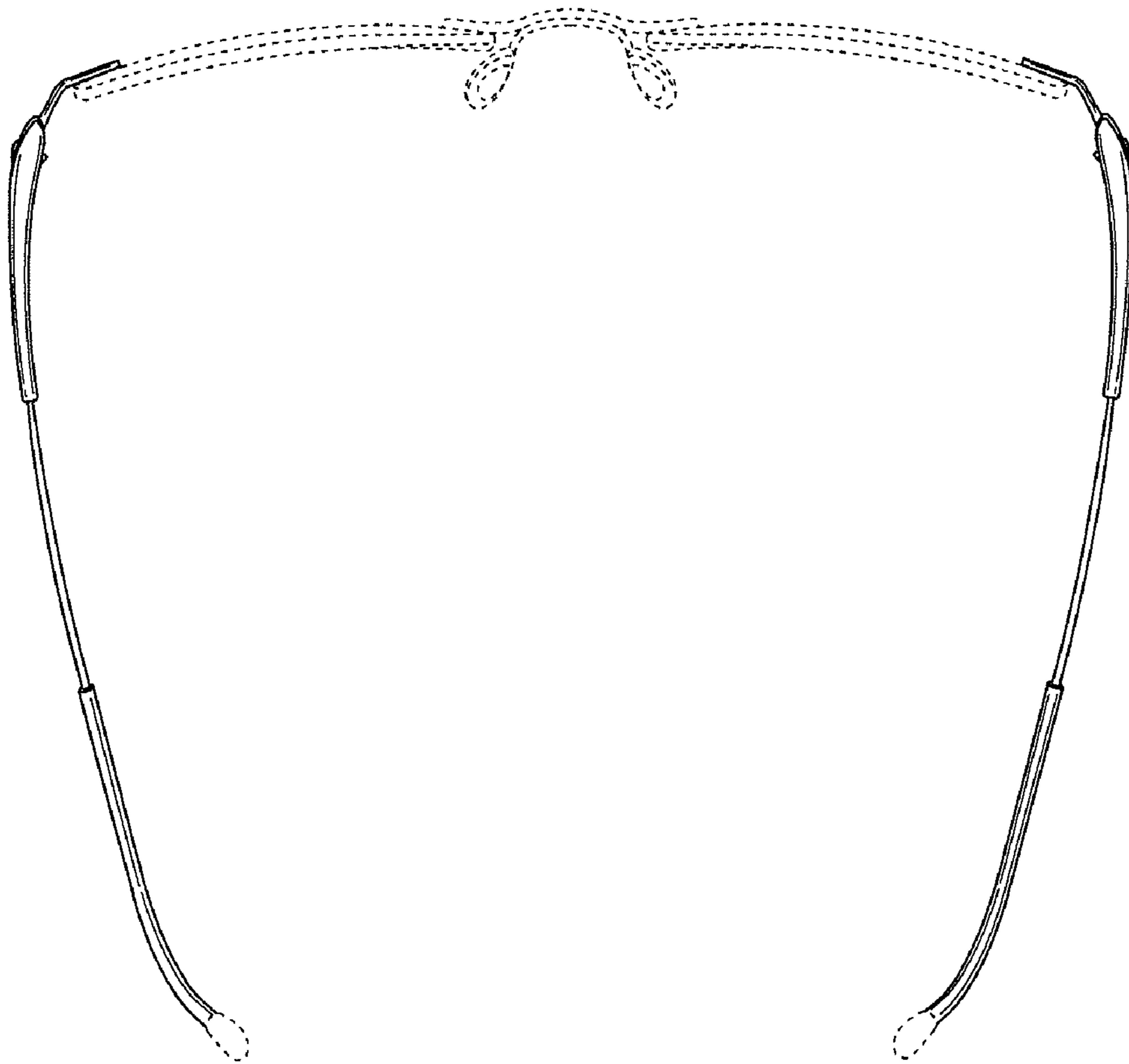


FIG. 5

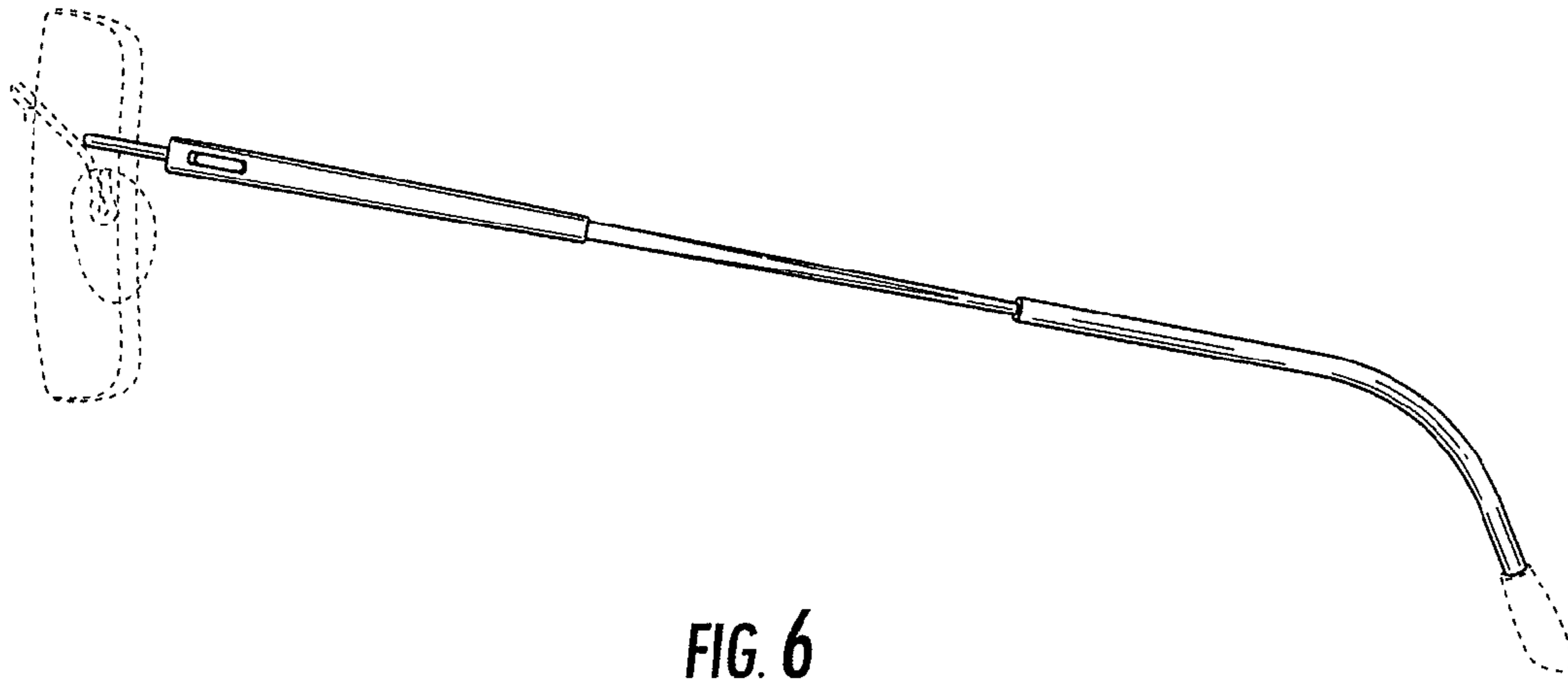


FIG. 6

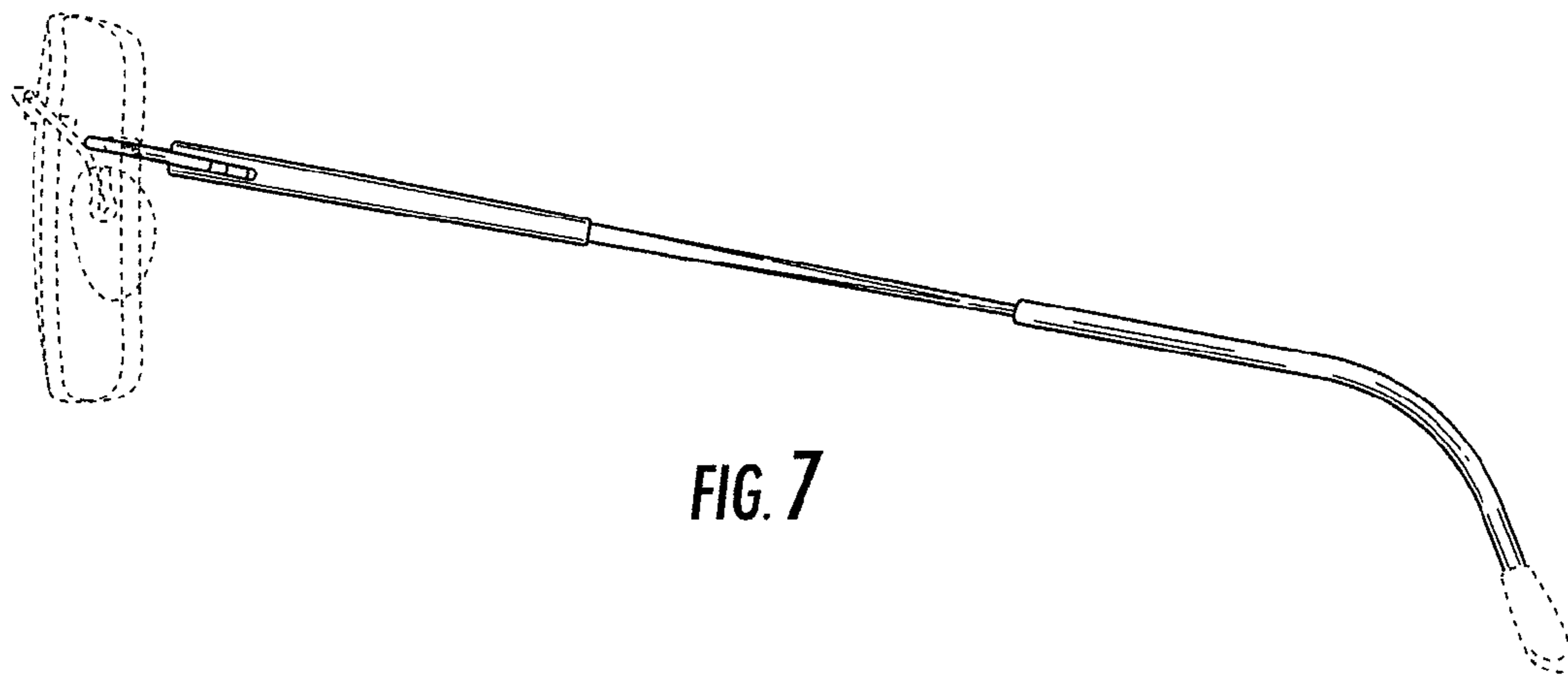


FIG. 7