



US00D635176S

(12) **United States Design Patent**
Hsu

(10) **Patent No.:** **US D635,176 S**
(45) **Date of Patent:** **** Mar. 29, 2011**

(54) **FILM CONVERSION DEVICE WITH DISPLAY**

(75) Inventor: **Chun Chieh Hsu, Chung Ho (TW)**

(73) Assignee: **CRS Electronic Co., Ltd. (TW)**

(**) Term: **14 Years**

(21) Appl. No.: **29/329,944**

(22) Filed: **Dec. 23, 2008**

(51) **LOC (9) Cl.** **16-04**

(52) **U.S. Cl.** **D16/246**

(58) **Field of Classification Search** D16/246-247,
D16/250; D24/158, 161; D18/50, 53; 348/96,
348/373, 441; 378/167, 180, 183, 185
See application file for complete search history.

(56) **References Cited**

U.S. PATENT DOCUMENTS

D312,690 S	12/1990	Reibl	
D314,008 S	1/1991	Takahashi et al.	
5,034,822 A	7/1991	Stevens	
5,293,242 A	3/1994	Mamiya	
5,351,139 A	9/1994	Miyahara et al.	
5,400,117 A	3/1995	Fetterman et al.	
5,469,209 A	11/1995	Gunday et al.	
D371,380 S *	7/1996	Nelson et al.	D16/247
D371,565 S *	7/1996	Betts et al.	D16/246
5,610,730 A	3/1997	Osipchuk	
D379,363 S	5/1997	Nelson et al.	
5,644,356 A	7/1997	Swinson et al.	
5,663,762 A	9/1997	Nishiyama	
5,678,102 A	10/1997	Chamberlain, IV	
5,808,668 A	9/1998	Ikari et al.	
5,822,045 A	10/1998	Erck	
D408,838 S	4/1999	Nelson et al.	
5,929,903 A	7/1999	Kiesow	
5,973,729 A	10/1999	Washizu	
5,995,138 A	11/1999	Beer et al.	
6,035,144 A	3/2000	Gfeller	

6,118,478 A	9/2000	Brett	
D432,563 S	10/2000	Lin et al.	
6,178,016 B1	1/2001	Ashe et al.	
D452,521 S *	12/2001	Nelson et al.	D16/247
6,335,758 B1	1/2002	Ochi et al.	

(Continued)

FOREIGN PATENT DOCUMENTS

JP 2001-145019 5/2001

Primary Examiner — Ian Simmons

Assistant Examiner — Wan Laymon

(74) *Attorney, Agent, or Firm* — Neal, Gerber & Eisenberg LLP

(57) **CLAIM**

The ornamental design for a film conversion device with a display, as shown and described.

DESCRIPTION

FIG. 1 is a perspective view of a film conversion device with display, where the display is in an open position;

FIG. 2 is a perspective view of the film conversion device with display, where the display is in a closed position;

FIG. 3 is a first side elevational view of the film conversion device with display, where the display is in the open position;

FIG. 4 is a first side elevational view of the film conversion device with display, where the display is in the closed position;

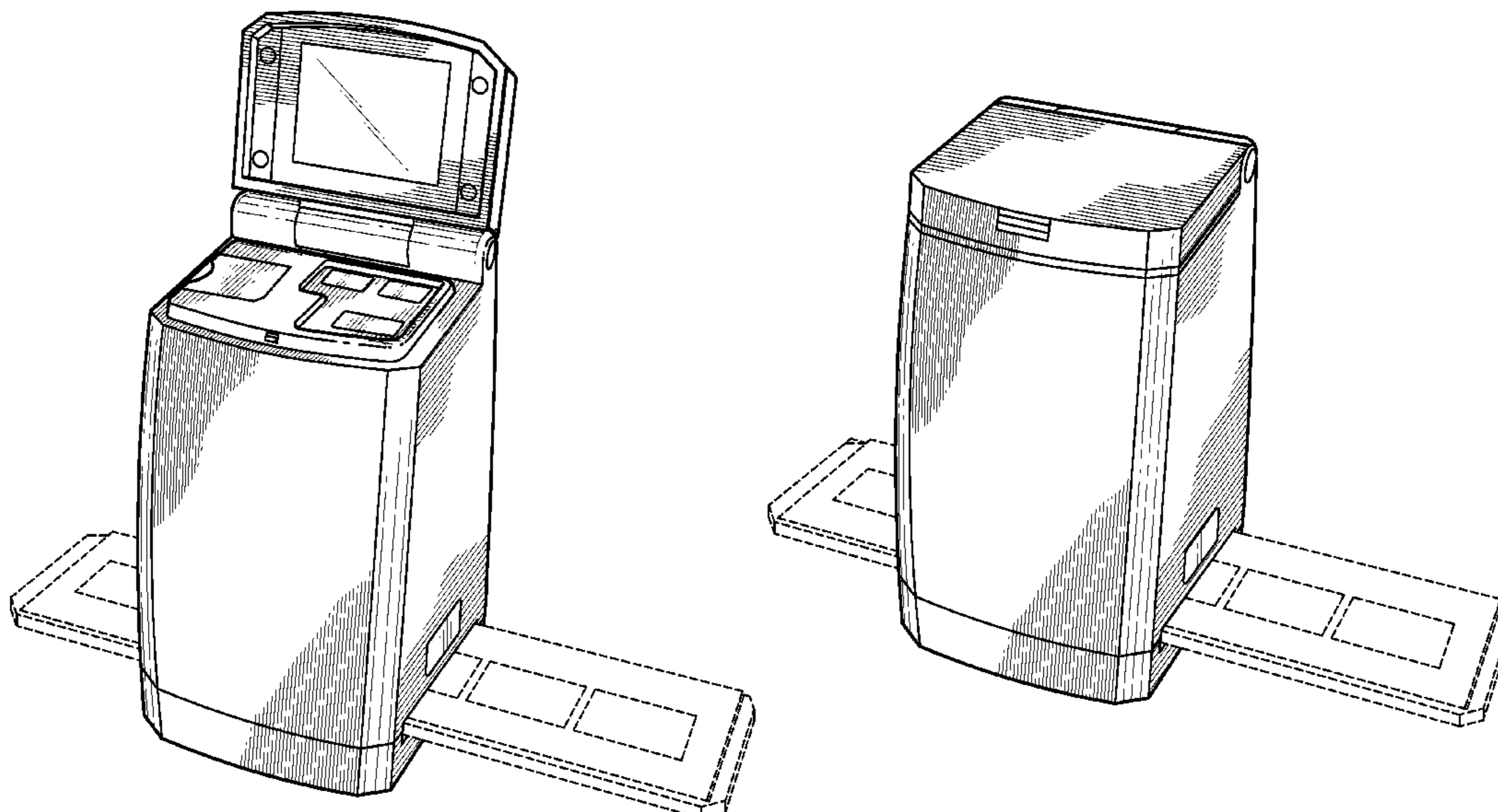
FIG. 5 is a second side elevational view of the film conversion device with display, where the display is in the open position;

FIG. 6 is a top plan view of the film conversion device with display, where the display is in the open position; and,

FIG. 7 is a bottom plan view of the film conversion device with display.

The broken lines showing portion of a film conversion device with a display are included for illustrating environmental structure and form no part of the claimed design.

1 Claim, 7 Drawing Sheets



US D635,176 S

Page 2

U.S. PATENT DOCUMENTS

D467,261	S *	12/2002	Seguchi et al.	D16/246	7,217,943	B2	5/2007	Eckardt et al.	
6,496,658	B2	12/2002	Chino et al.		D549,338	S *	8/2007	Kondo	D24/158
D494,679	S *	8/2004	Takahashi	D24/158	D595,330	S *	6/2009	Hsu	D16/246
D494,680	S *	8/2004	Takahashi	D24/158	2005/0117899	A1	6/2005	Selby	
6,891,562	B2	5/2005	Spence et al.		2009/0167852	A1 *	7/2009	Hsu	348/96
6,930,714	B2	8/2005	Mead		2009/0167853	A1 *	7/2009	Hsu	348/96
6,943,820	B2	9/2005	Schmidt		2009/0167854	A1 *	7/2009	Hsu	348/96
7,164,437	B2	1/2007	Truc et al.						

* cited by examiner

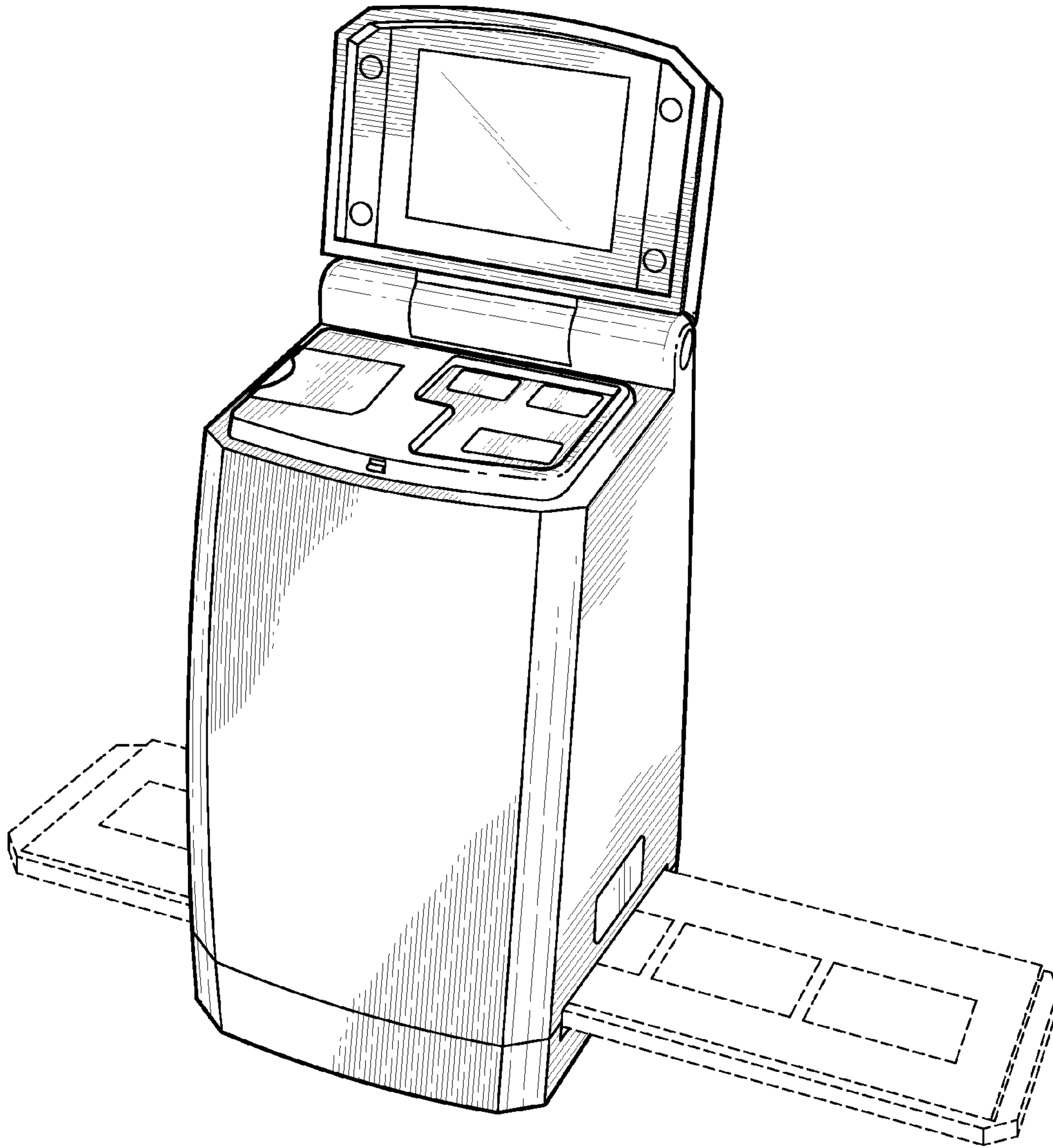


FIG. 1

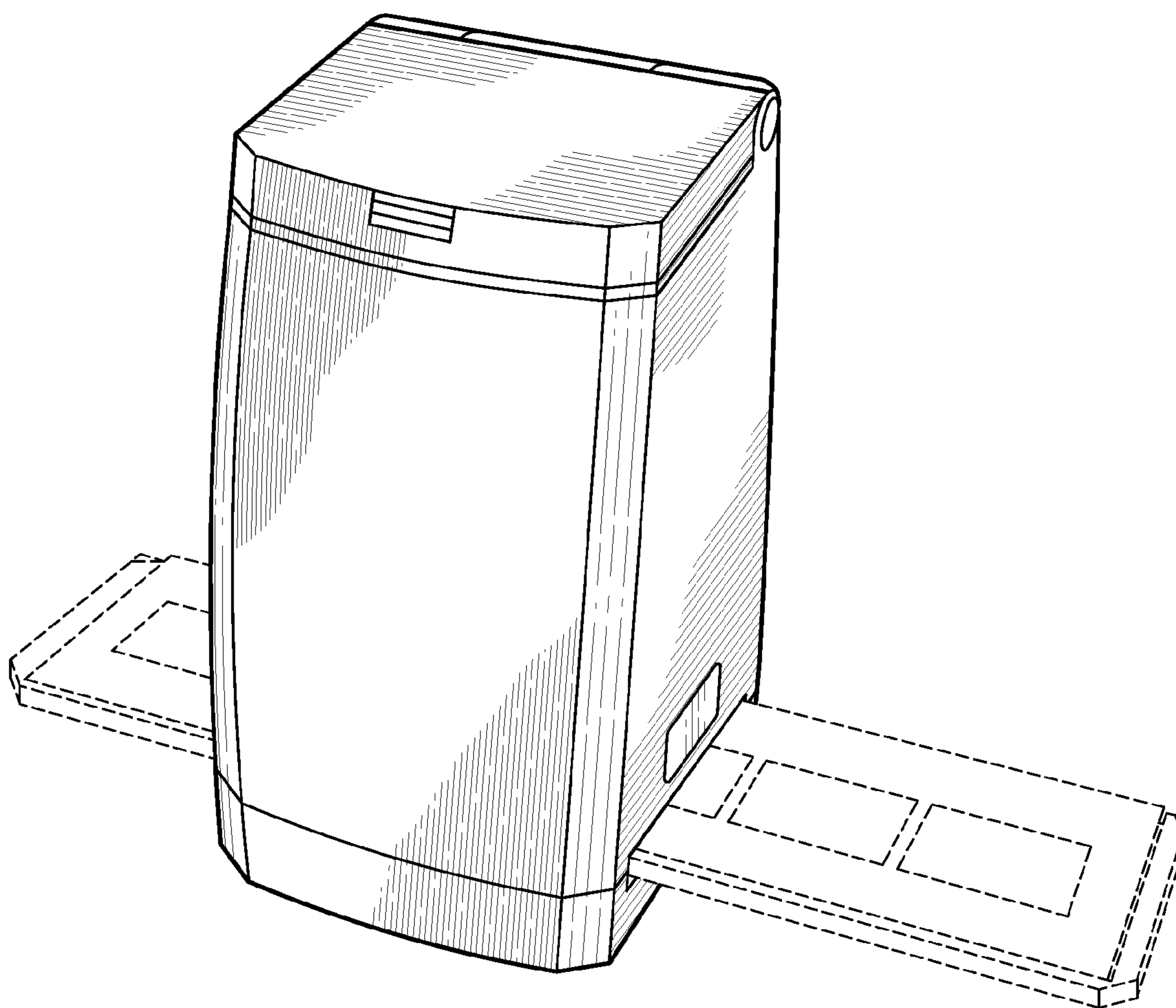


FIG. 2

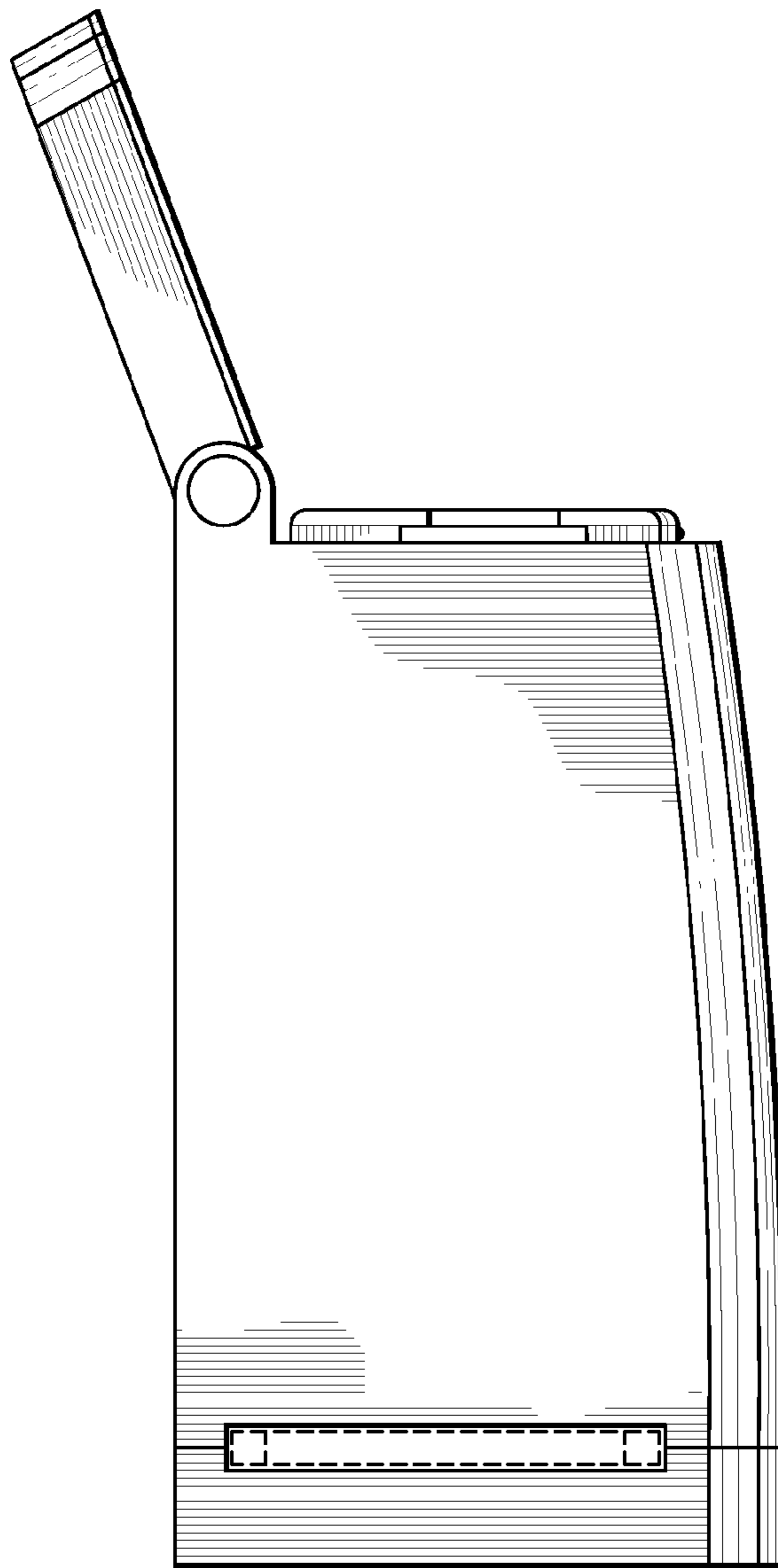


FIG. 3

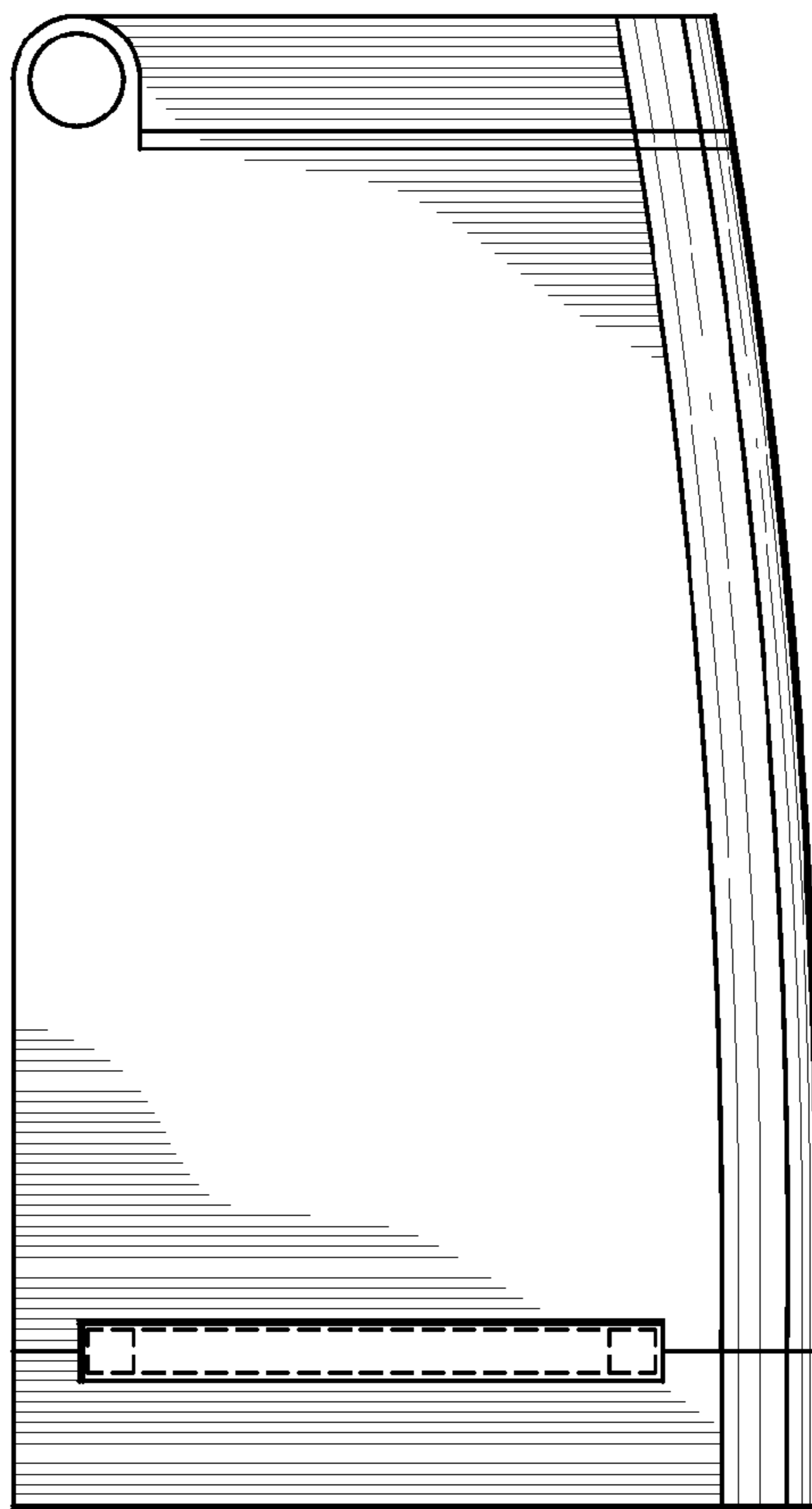


FIG.4

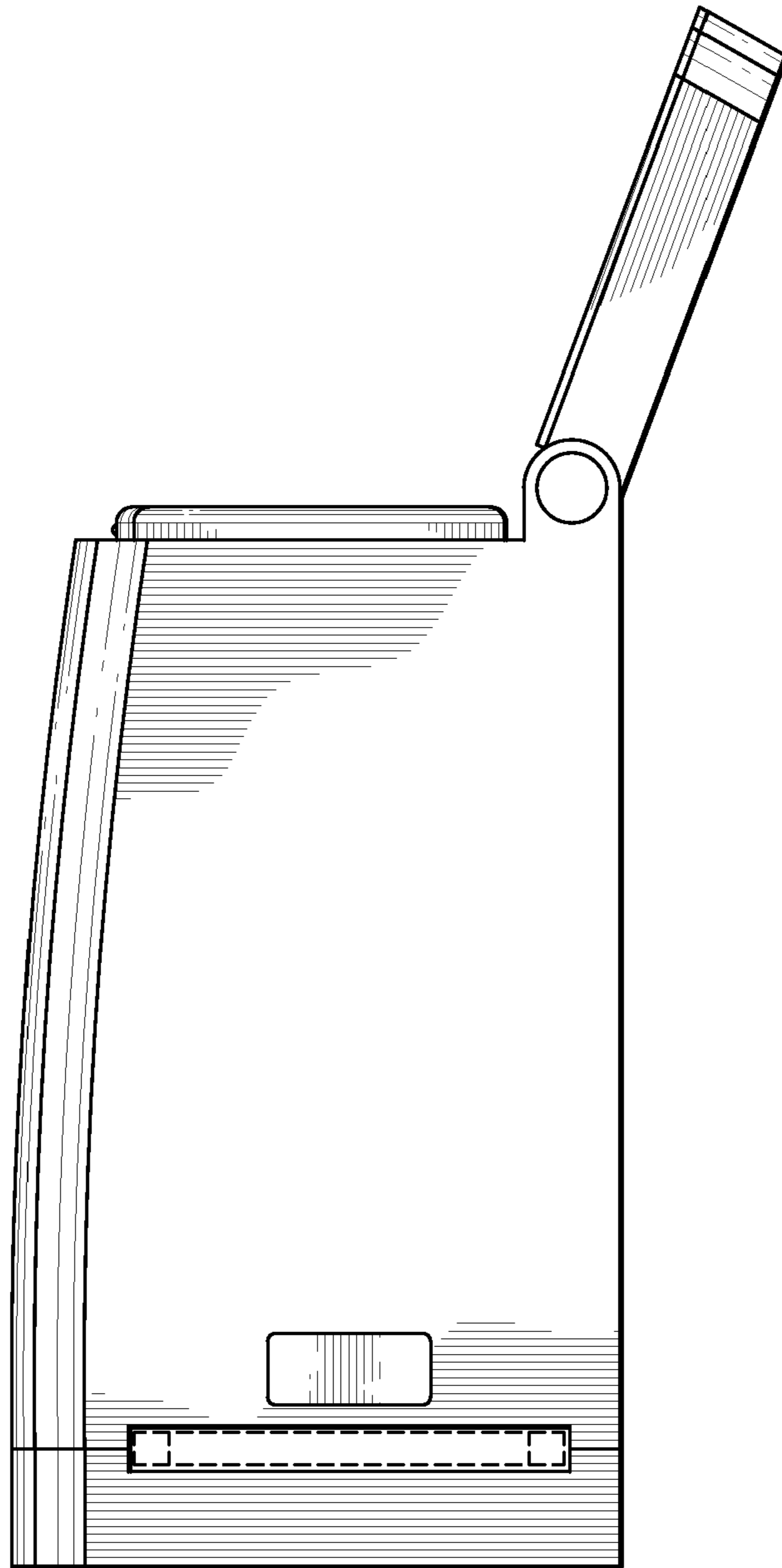


FIG. 5

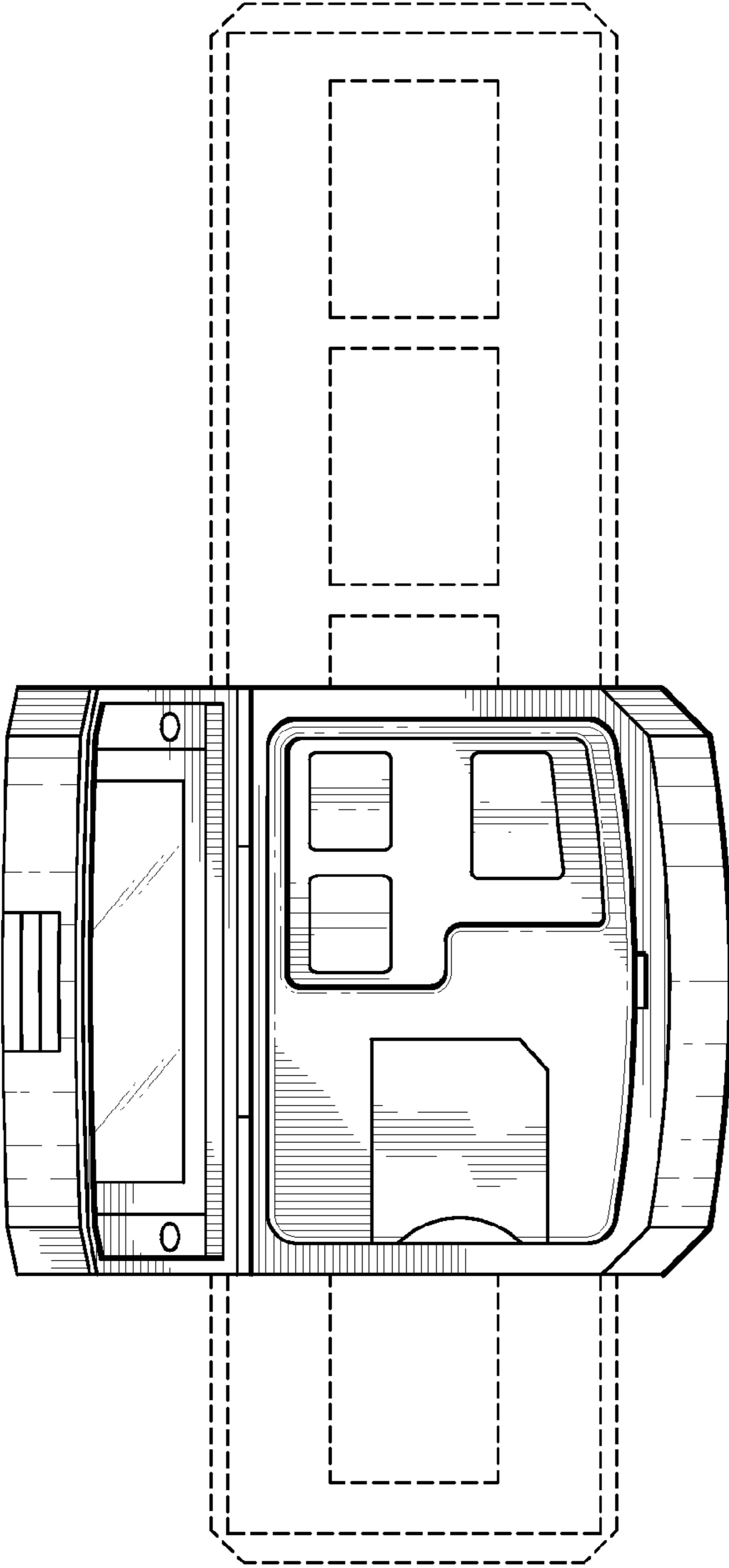


FIG. 6

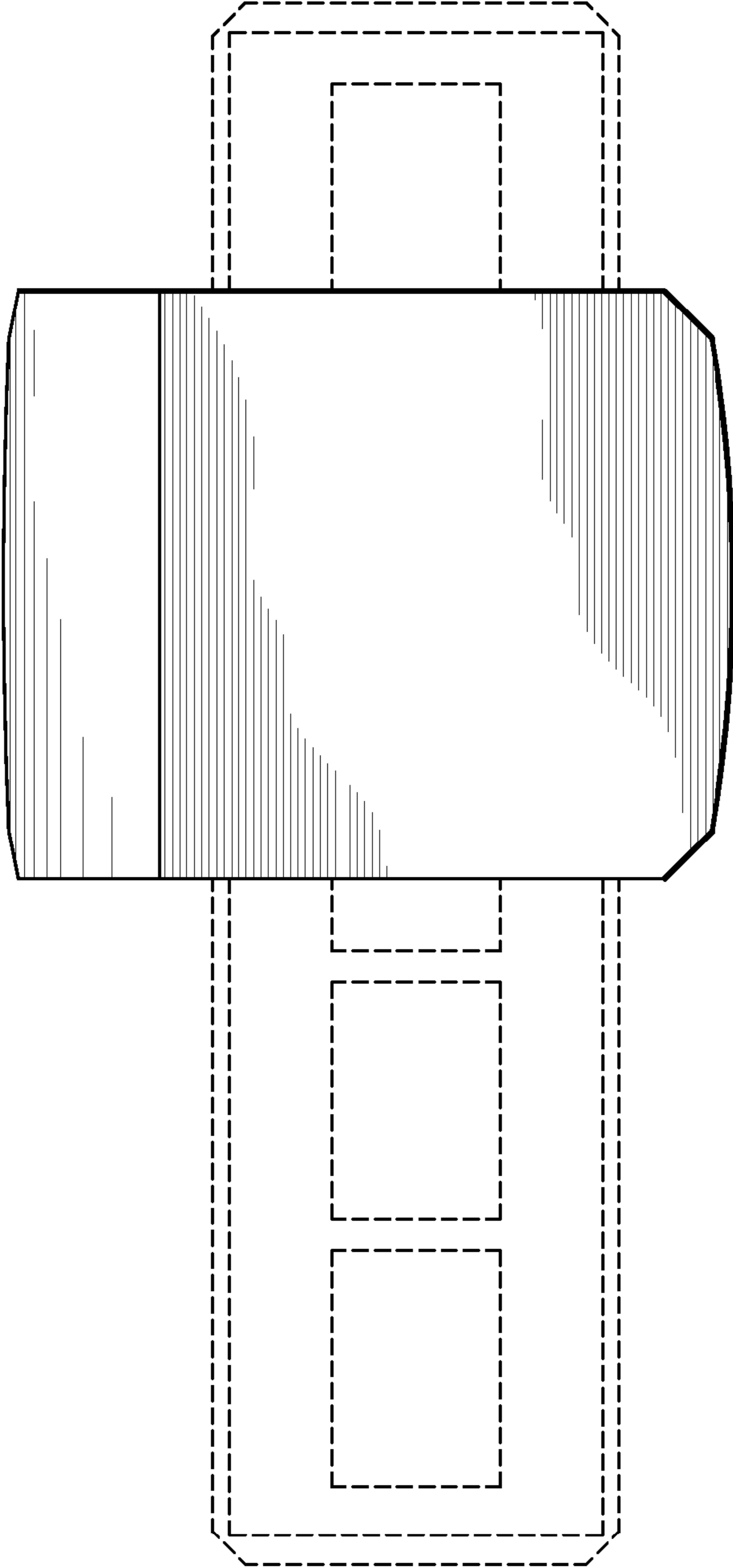


FIG. 7