



US00D635173S

(12) **United States Design Patent**
Yamakawa

(10) **Patent No.:** **US D635,173 S**
(45) **Date of Patent:** **** Mar. 29, 2011**

(54) **SURVEILLANCE CAMERA**

(75) Inventor: **Yasuki Yamakawa**, Kanagawa (JP)

(73) Assignee: **Panasonic Corporation**, Osaka (JP)

(**) Term: **14 Years**

(21) Appl. No.: **29/368,142**

(22) Filed: **Aug. 18, 2010**

(30) **Foreign Application Priority Data**

Feb. 26, 2010 (JP) 2010-004508

(51) **LOC (9) Cl.** **16-01**

(52) **U.S. Cl.** **D16/203**

(58) **Field of Classification Search** D16/200–205,
D16/218; 348/143, 373–376; 396/427, 535–541
See application file for complete search history.

(56) **References Cited**

U.S. PATENT DOCUMENTS

D392,300	S	*	3/1998	Chow et al.	D16/203
D430,888	S	*	9/2000	Adachi et al.	D16/203
D528,576	S	*	9/2006	Chung et al.	D16/203
7,440,025	B2	*	10/2008	Cheng	348/373
D592,231	S	*	5/2009	Schnell	D16/203
D614,222	S	*	4/2010	Yamakawa	D16/203
D624,577	S	*	9/2010	Kujawski et al.	D16/203
2007/0153120	A1	*	7/2007	Kajikawa et al.	348/373

FOREIGN PATENT DOCUMENTS

JP	D1204191	5/2004
JP	D1249931	9/2005
JP	D1371981	10/2009

* cited by examiner

Primary Examiner — Adir Aronovich

(74) *Attorney, Agent, or Firm* — Brinks Hofer Gilson & Lione

(57) **CLAIM**

I claim the ornamental design for a surveillance camera, as shown and described.

DESCRIPTION

FIG. 1 is a top perspective view of a surveillance camera of the present invention;
FIG. 2 is a front view thereof;
FIG. 3 is a rear view thereof;
FIG. 4 is a right side view thereof, the left side view being a mirror image thereof;
FIG. 5 is a top view thereof; and,
FIG. 6 is a bottom view thereof.

The broken line showing of surveillance camera is included for the purpose of illustrating environment and forms no part of the claimed design.

1 Claim, 6 Drawing Sheets

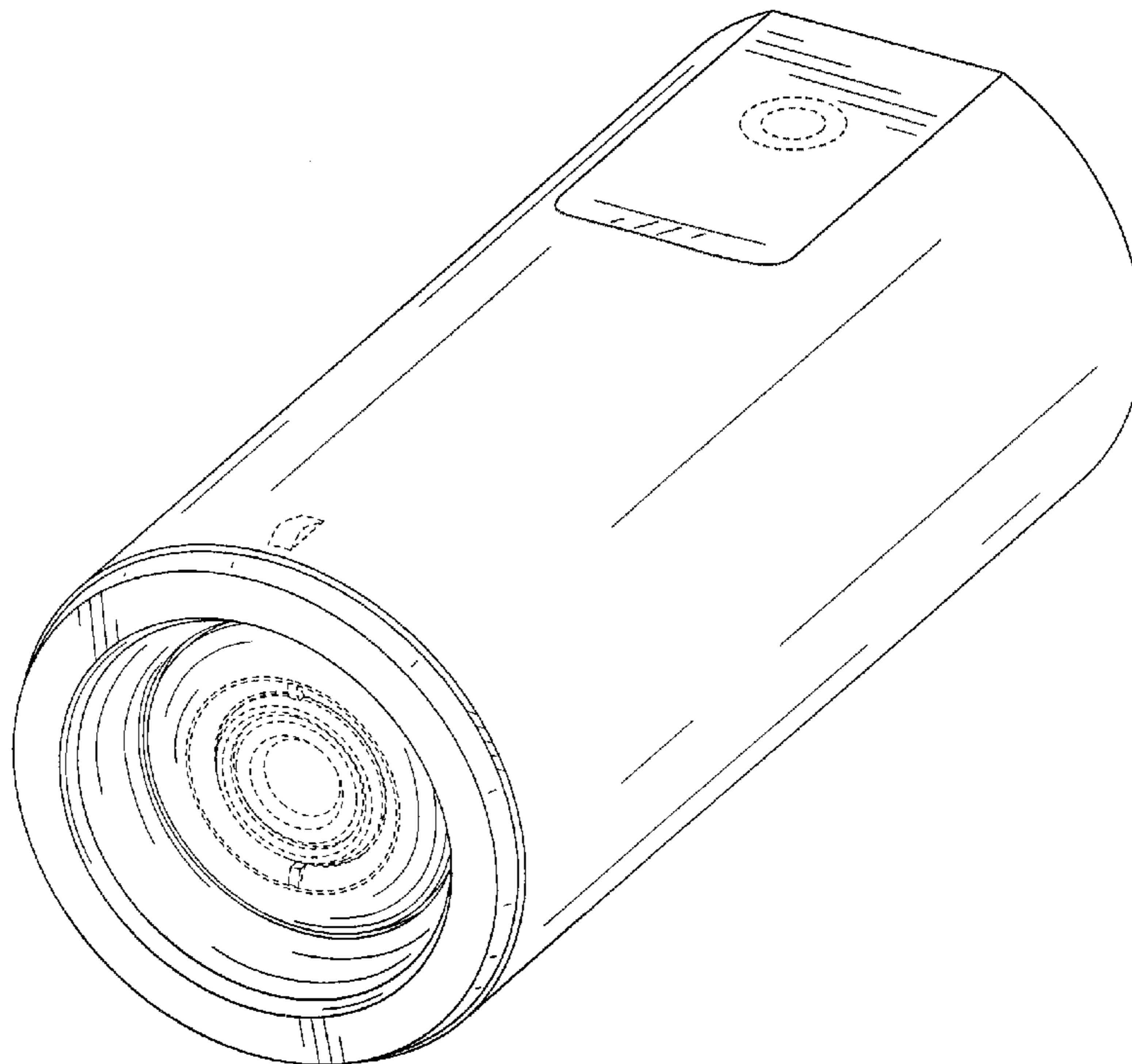


FIG.1

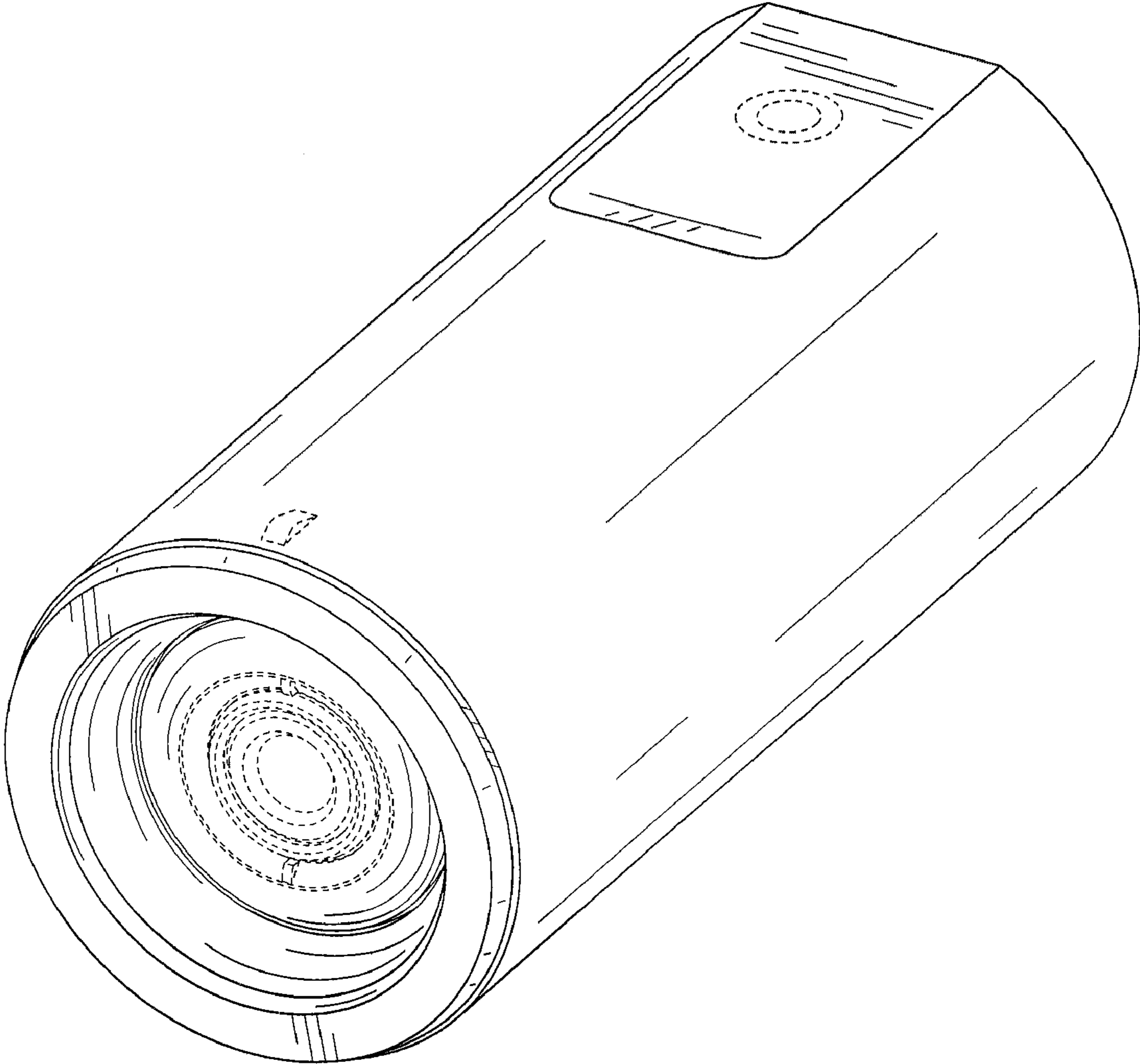


FIG.2

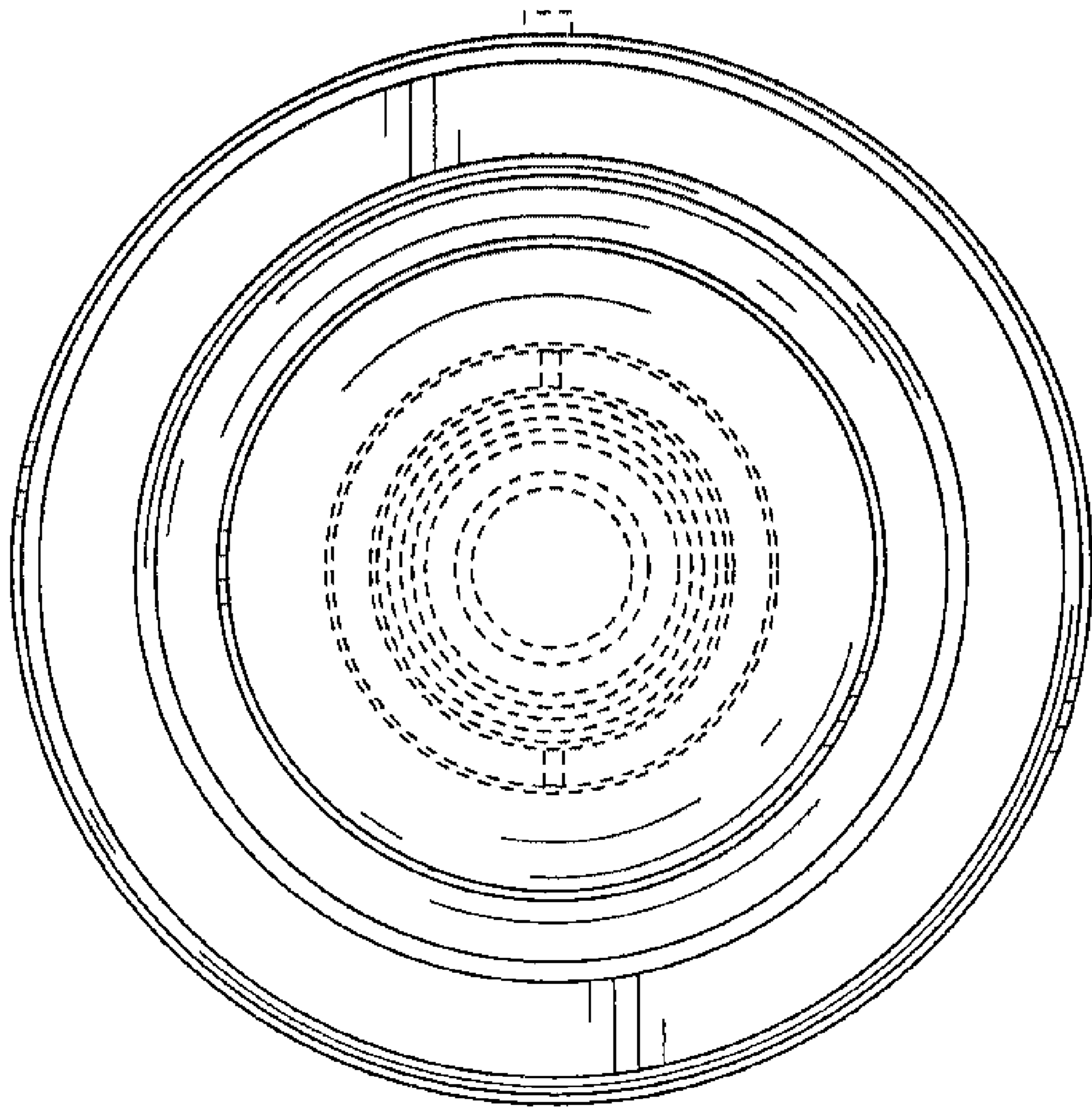


FIG.3

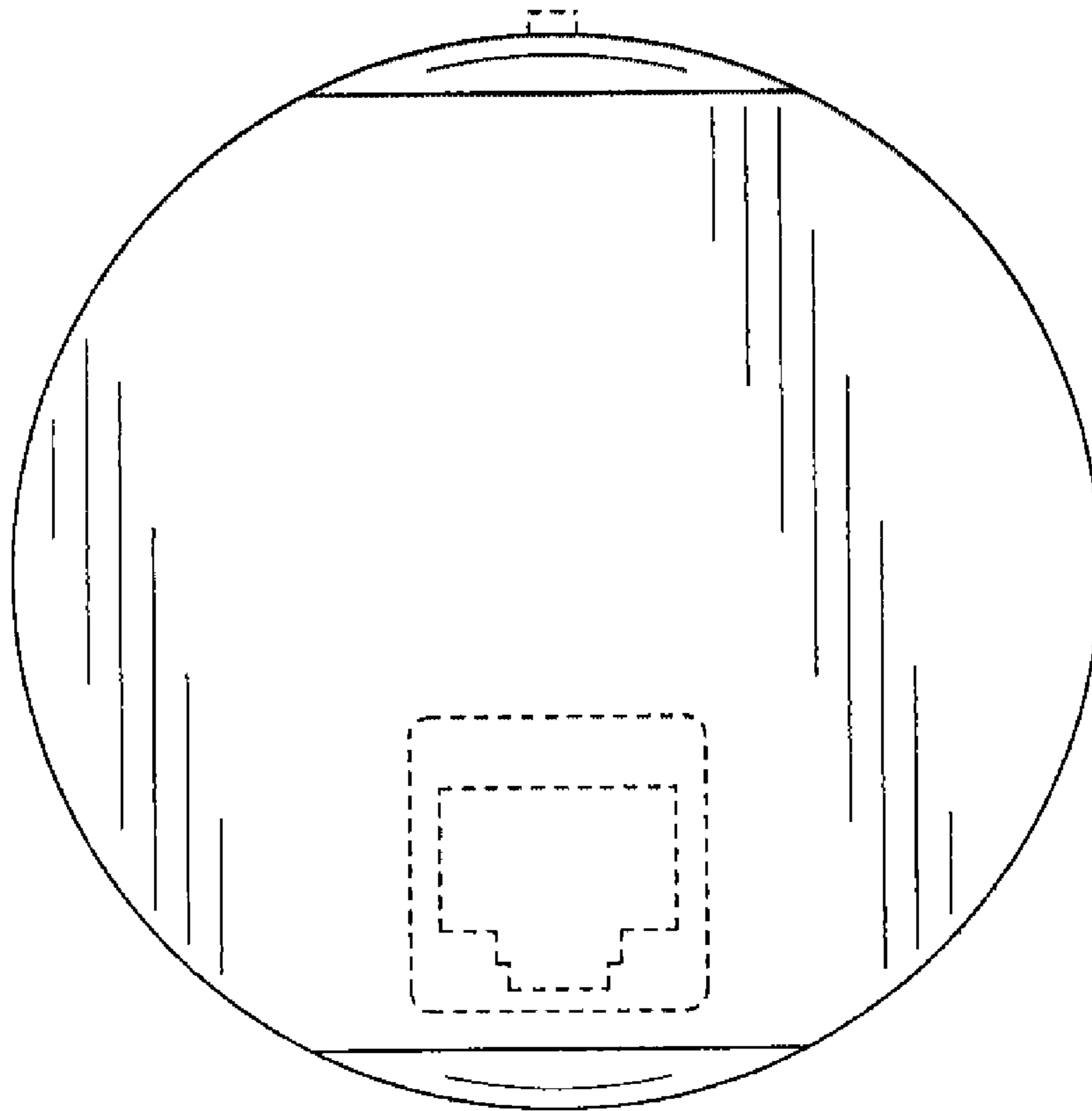


FIG.4

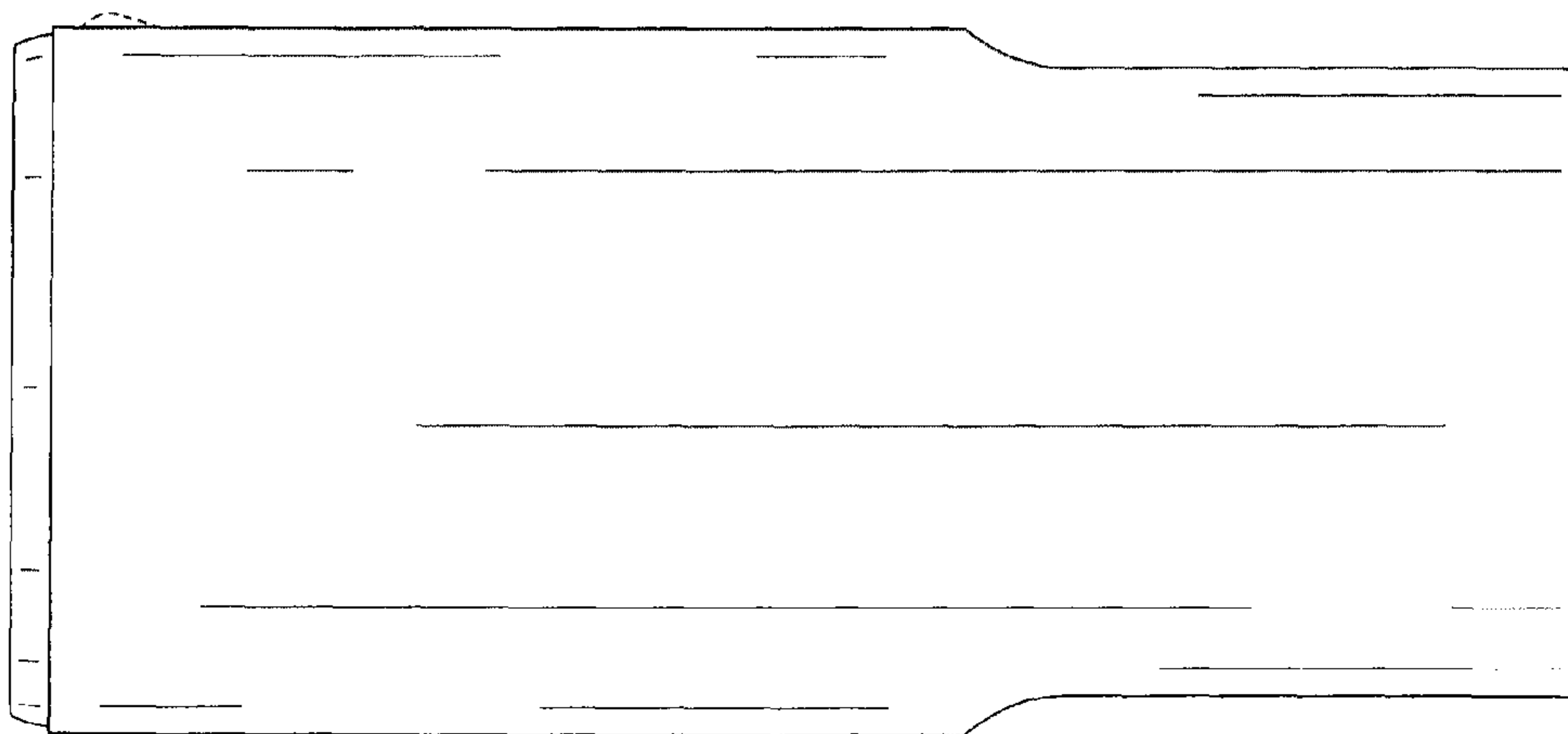


FIG. 5

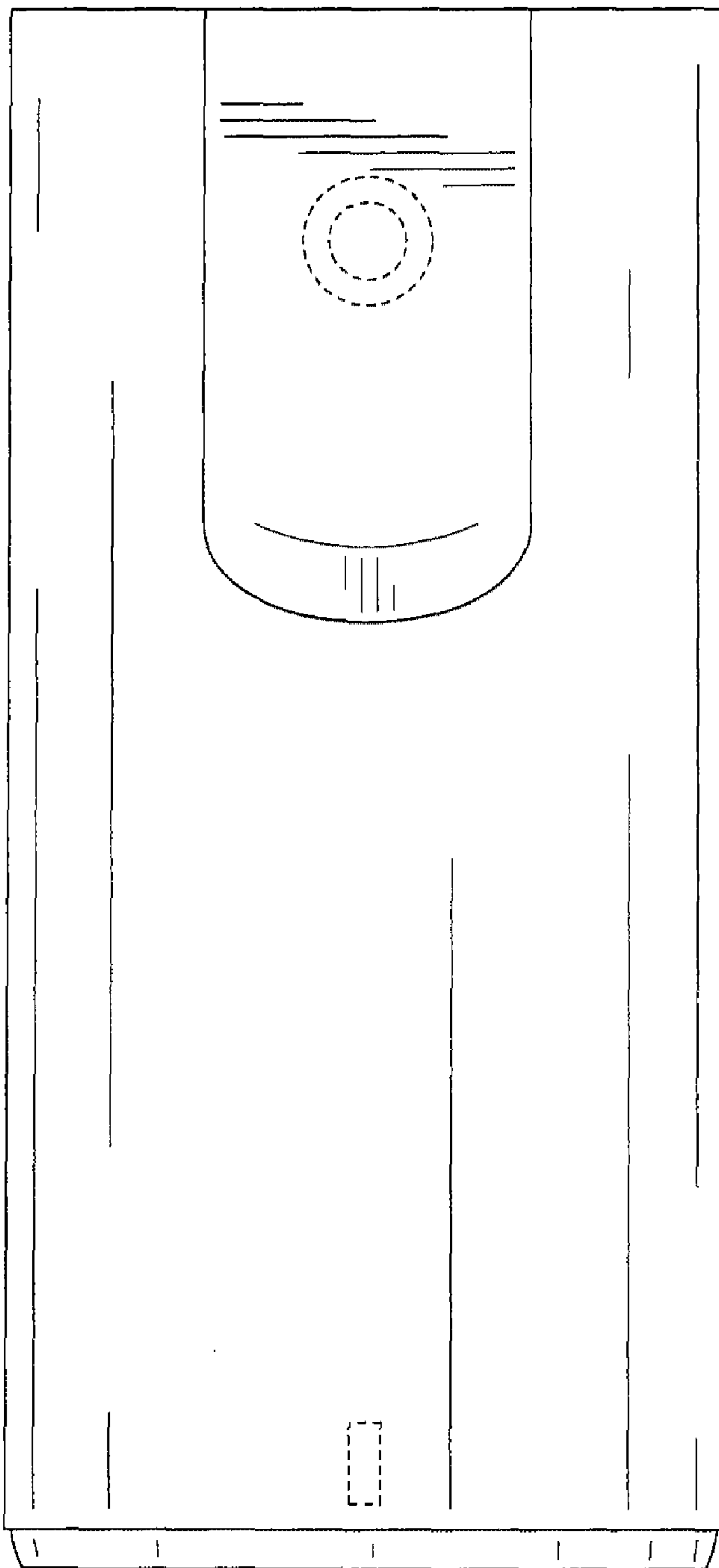


FIG.6

